

The Park Danforth

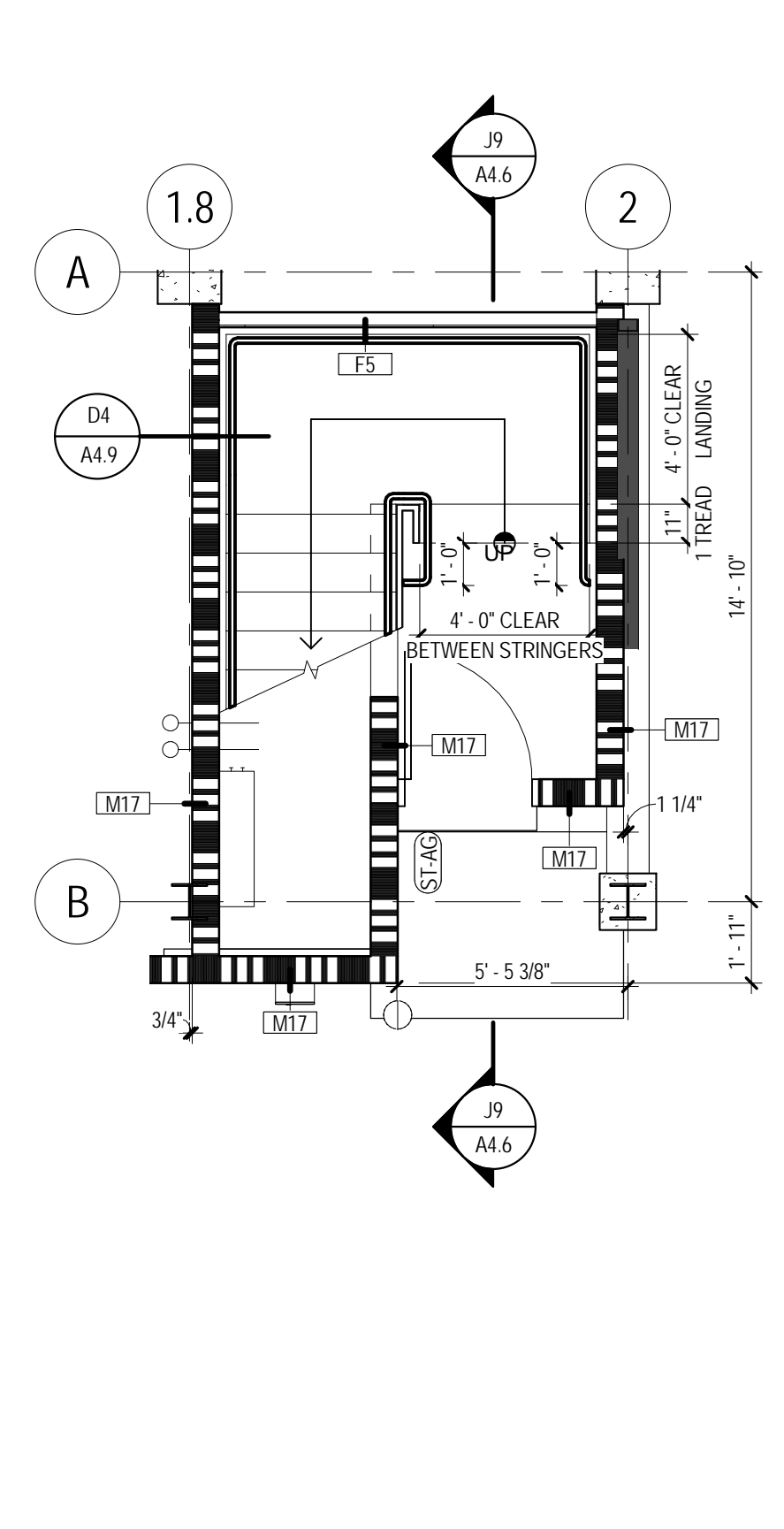
RENOVATIONS AND ADDITIONS

777 Stevens Ave  
 Portland, ME 04103

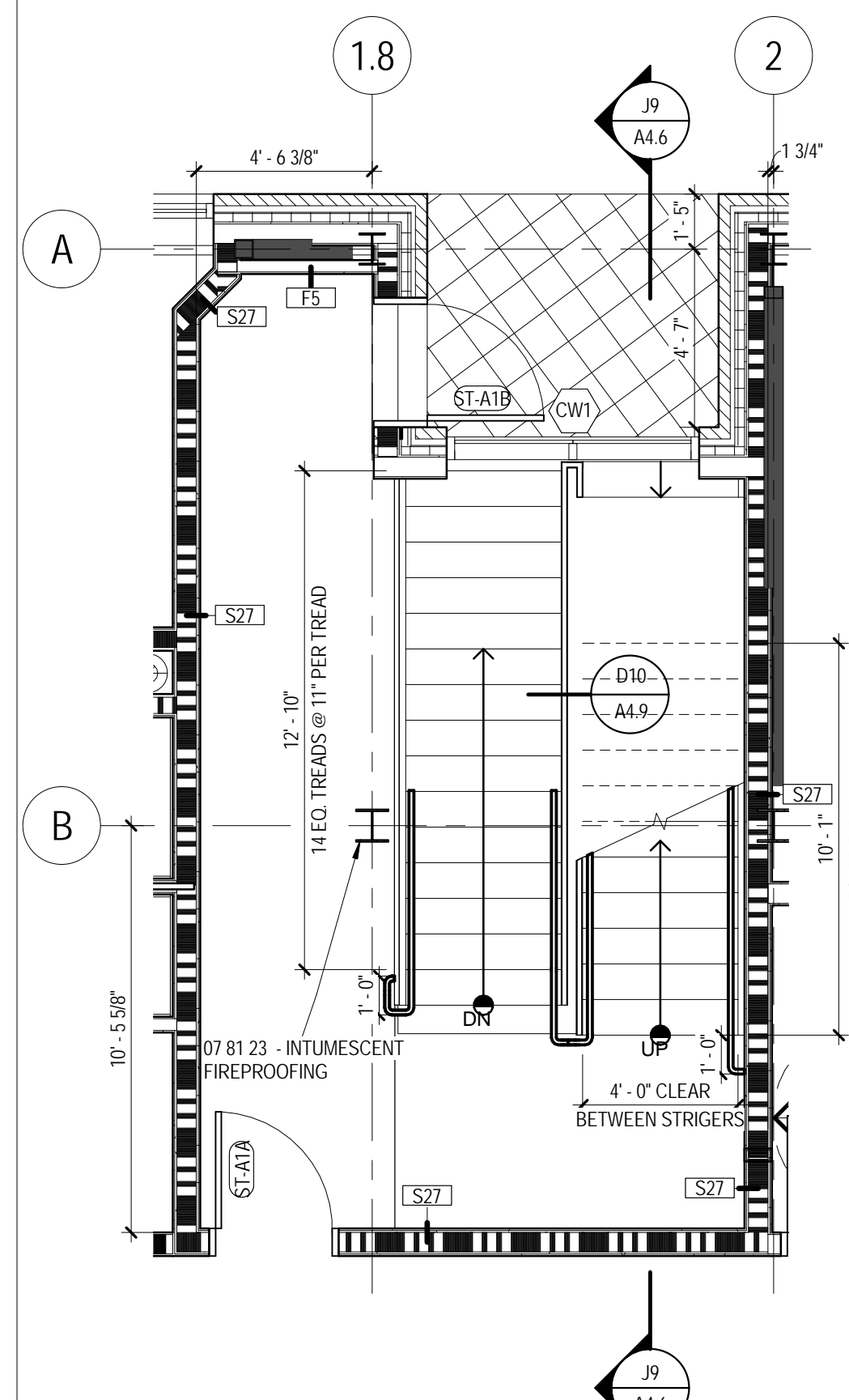
NO.	DESCRIPTION	DATE



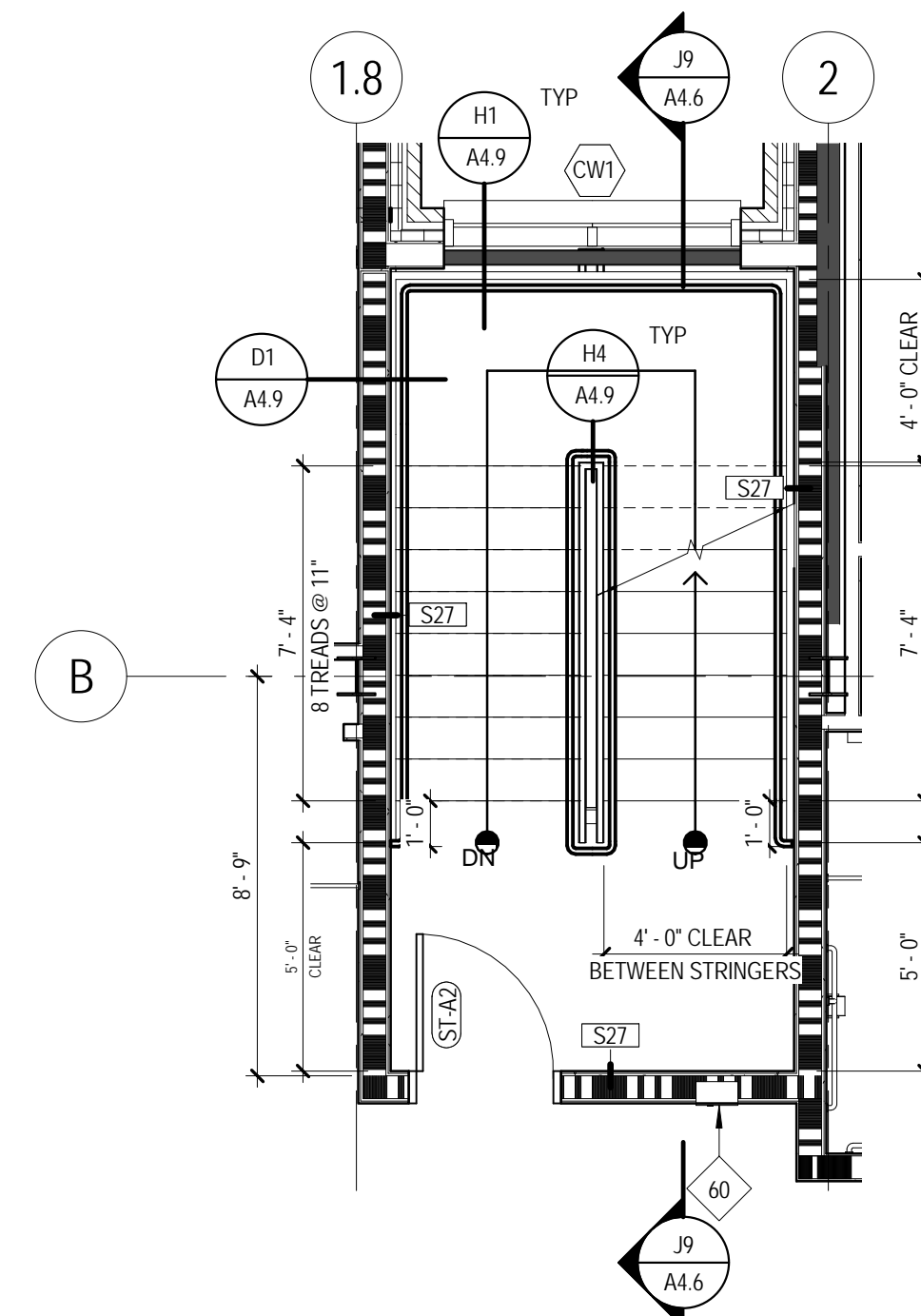
CONTENT: ENLARGED PLANS AND SECTIONS - STAIR A	
DRAWN BY:	KM
PROJECT NO:	13-059-00
DATE:	06/05/2015
REVISED:	10/16/2015
SCALE:	1/4" = 1'-0"
<b>A4.6</b>	
Project Phase <b>CONFORMANCE SET</b>	
<small>COPYRIGHT © 2015 BY LAVALLEE BRENSINGER PROFESSIONAL ASSOCIATION. ALL RIGHTS RESERVED. NO REPRODUCTION WITHOUT PERMISSION.</small>	



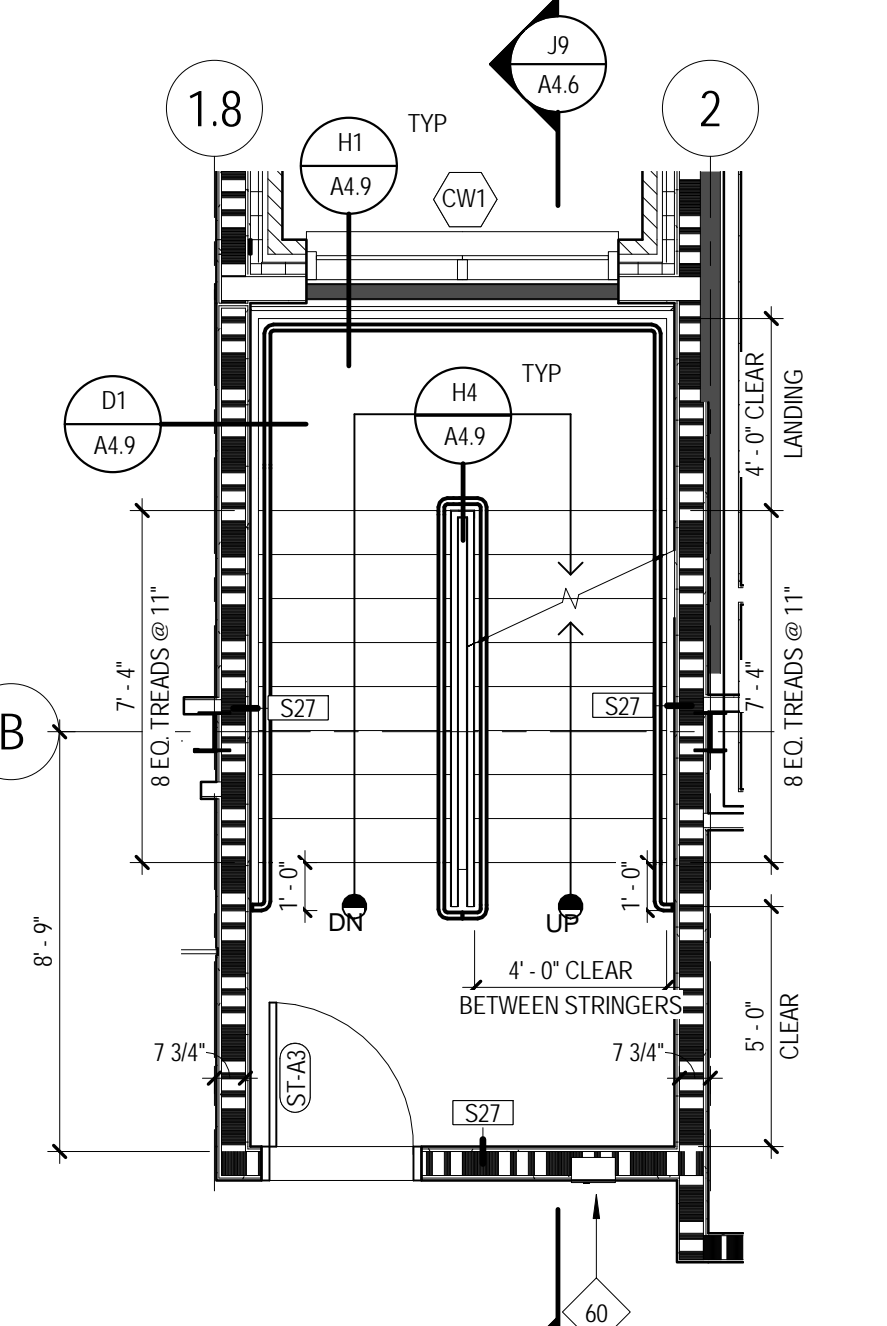
**E1** BASEMENT LEVEL STAIR A  
 A4.6 1/4" = 1'-0"



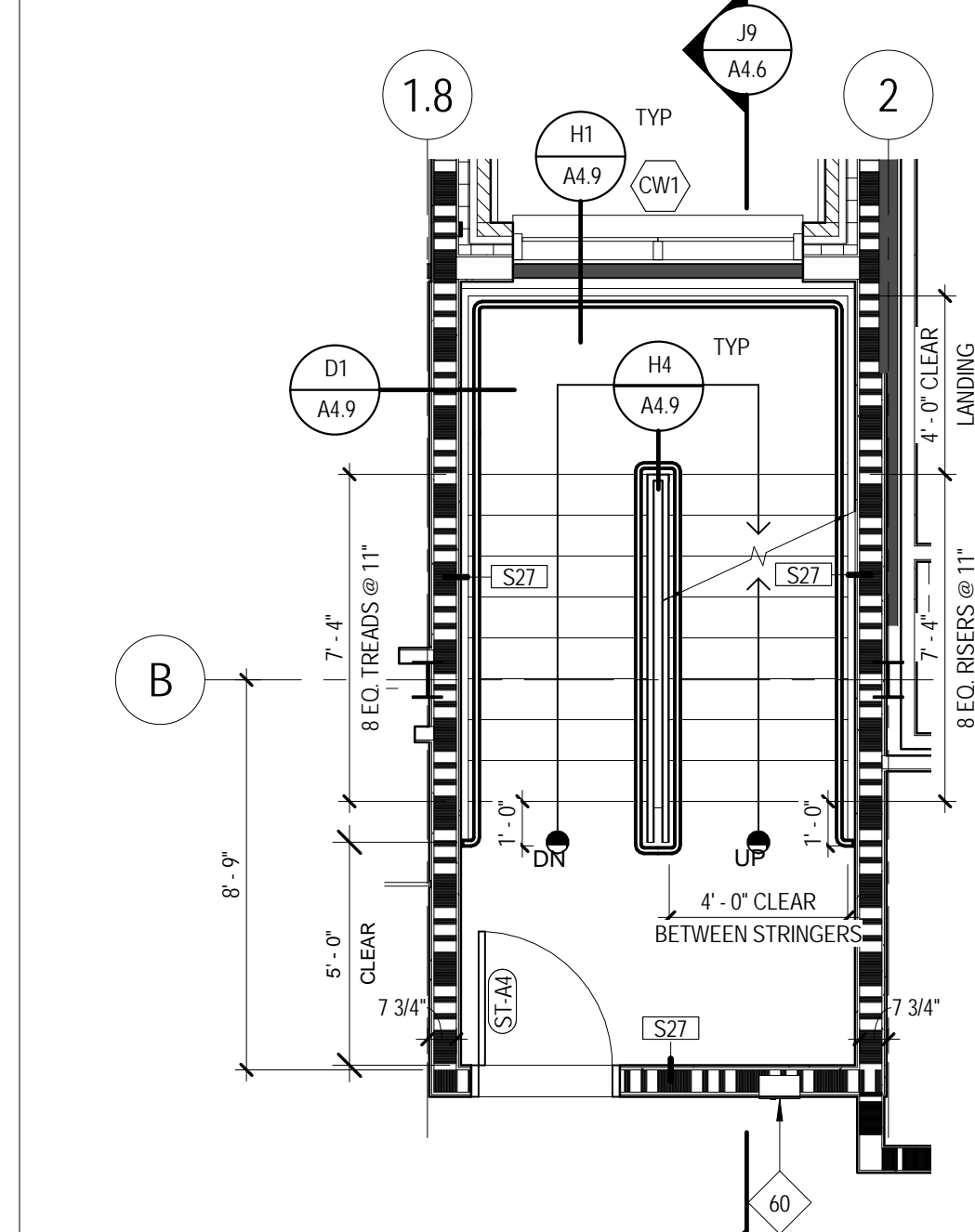
**E3** LEVEL 1 STAIR A  
 A4.6 1/4" = 1'-0"



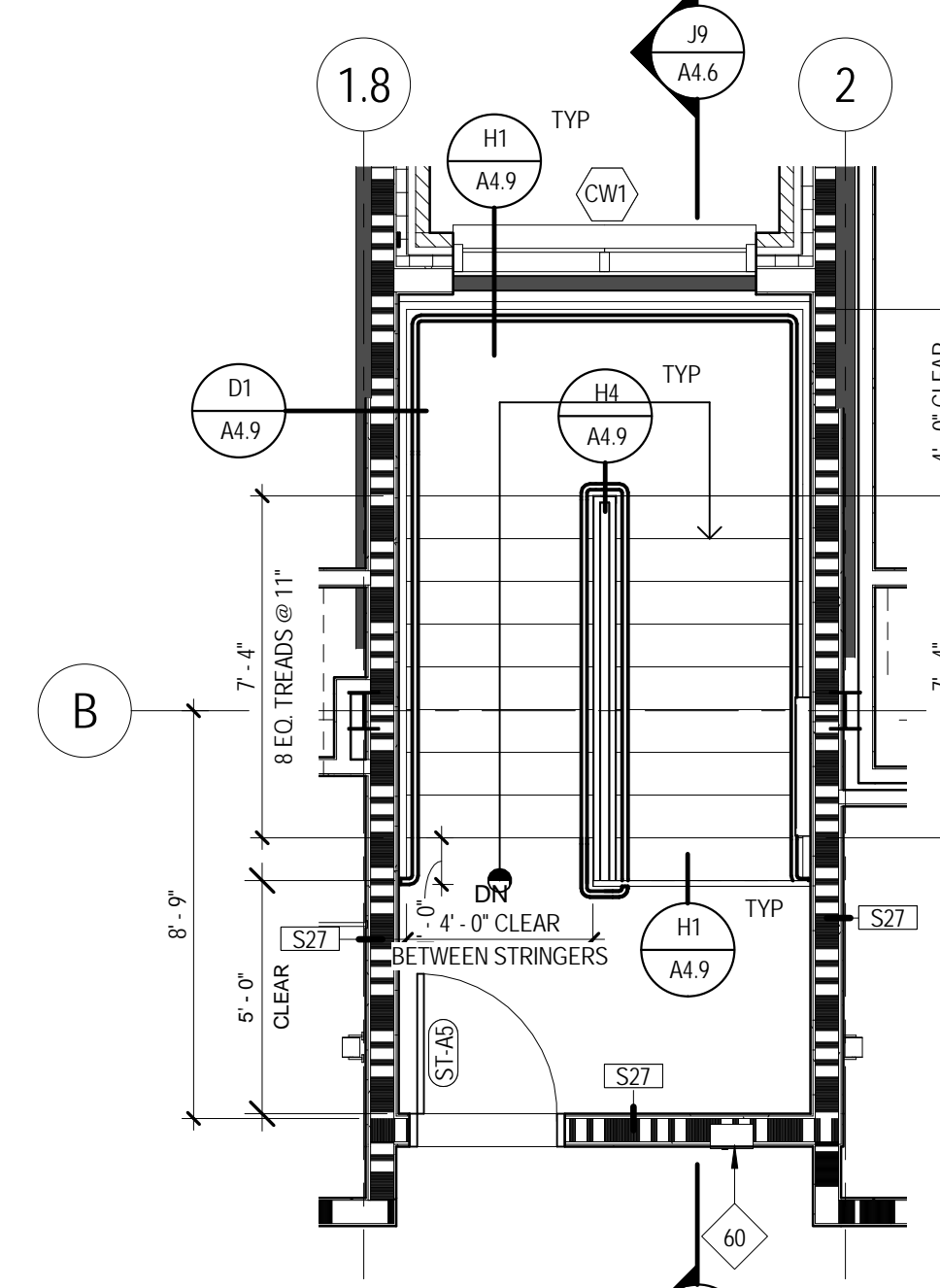
**E6** LEVEL 2 STAIR A  
 A4.6 1/4" = 1'-0"



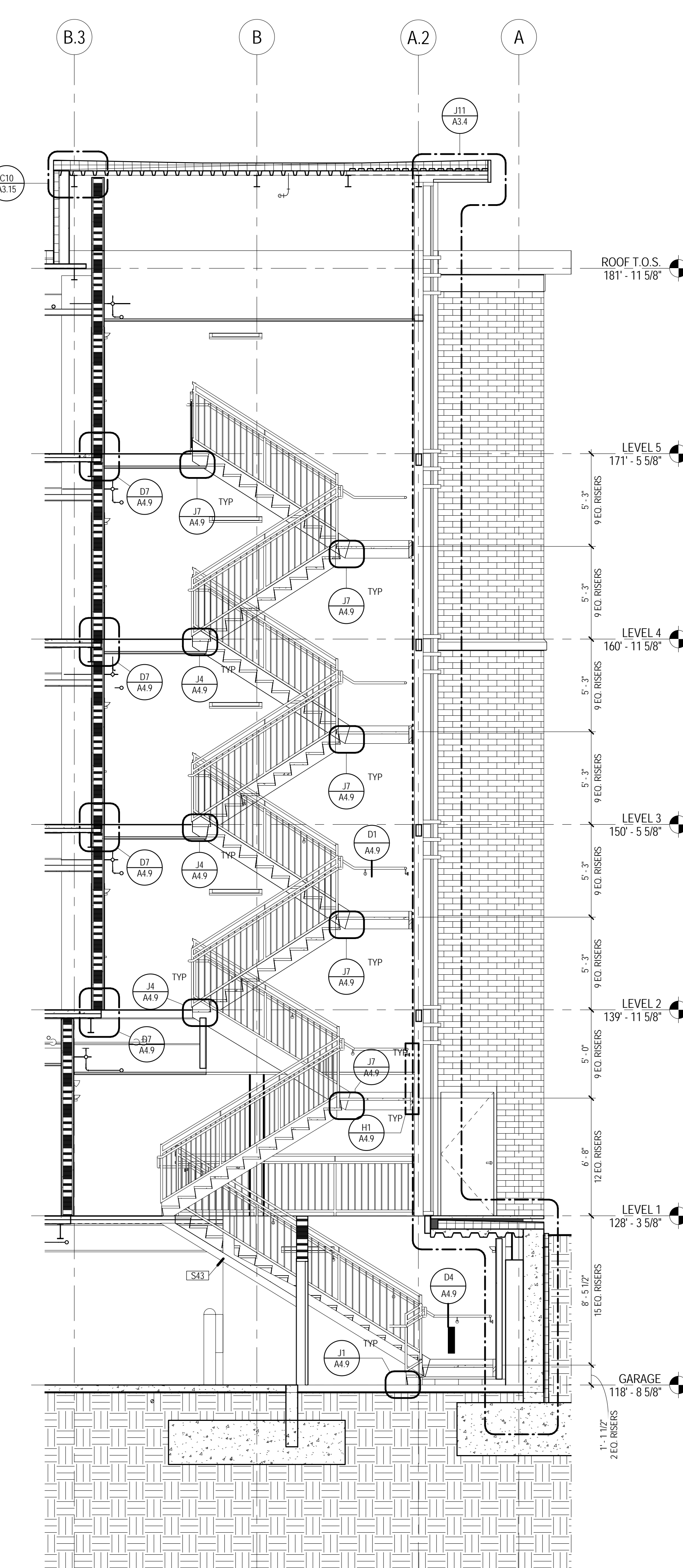
**G1** LEVEL 3 STAIR A  
 A4.6 1/4" = 1'-0"



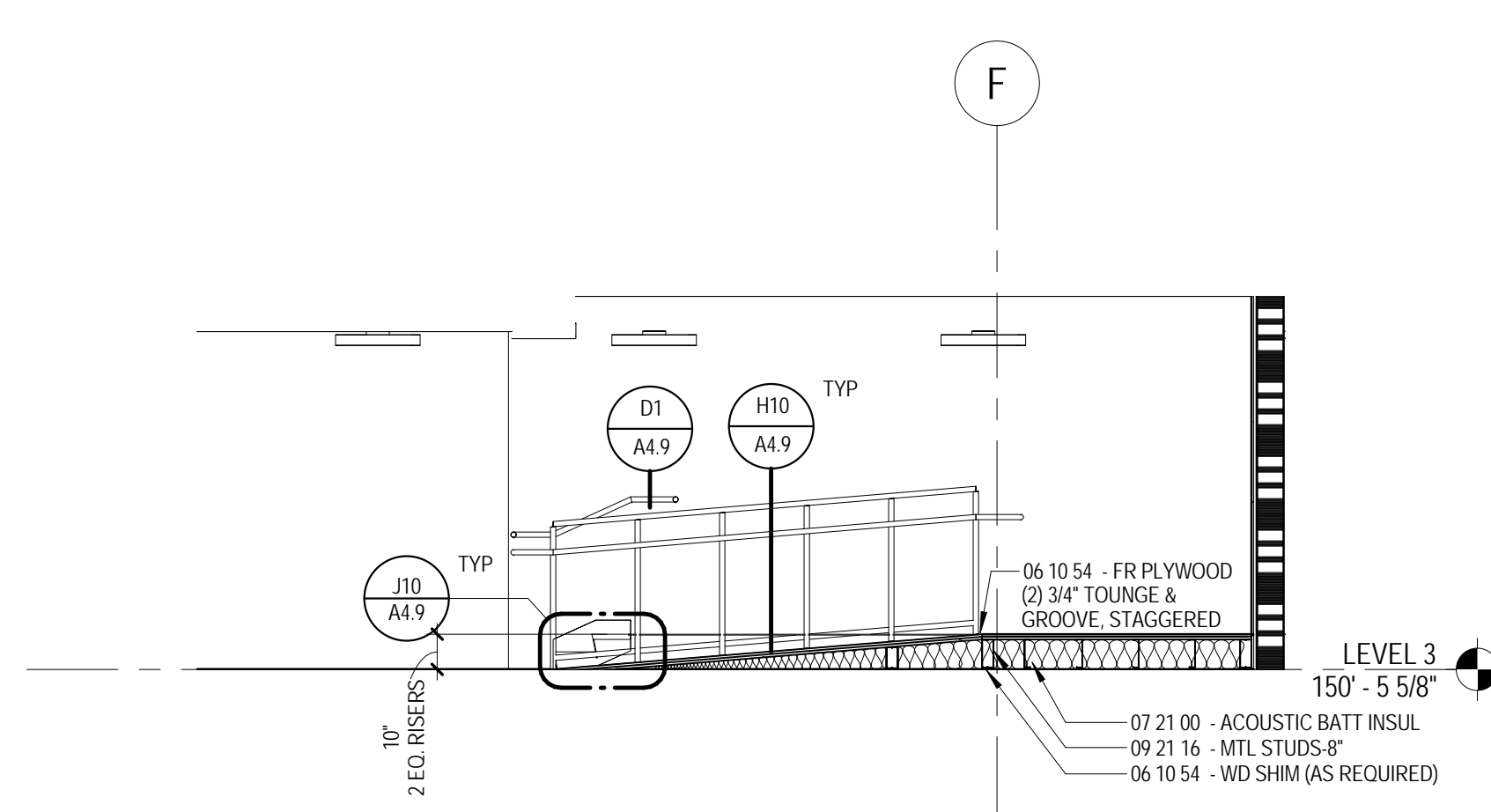
**G3** LEVEL 4 STAIR A  
 A4.6 1/4" = 1'-0"



**G6** LEVEL 5 STAIR A  
 A4.6 1/4" = 1'-0"



**J9** STAIR A SECTION  
 A4.6 1/4" = 1'-0"



**J5** LEVEL 3 ELEVATOR VESTIBULE STAIRS (LEVEL 5 SIM)  
 A4.6 1/4" = 1'-0"