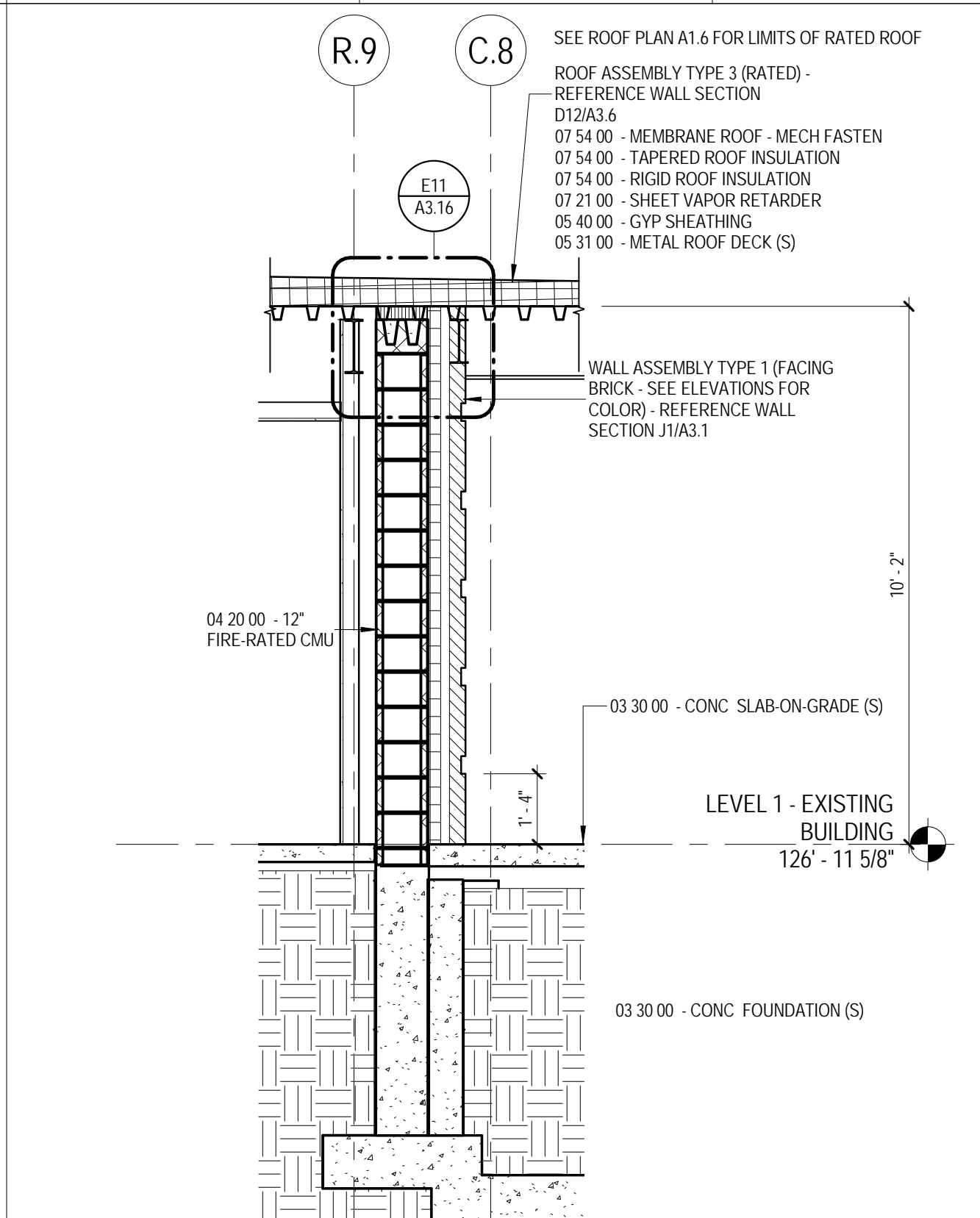
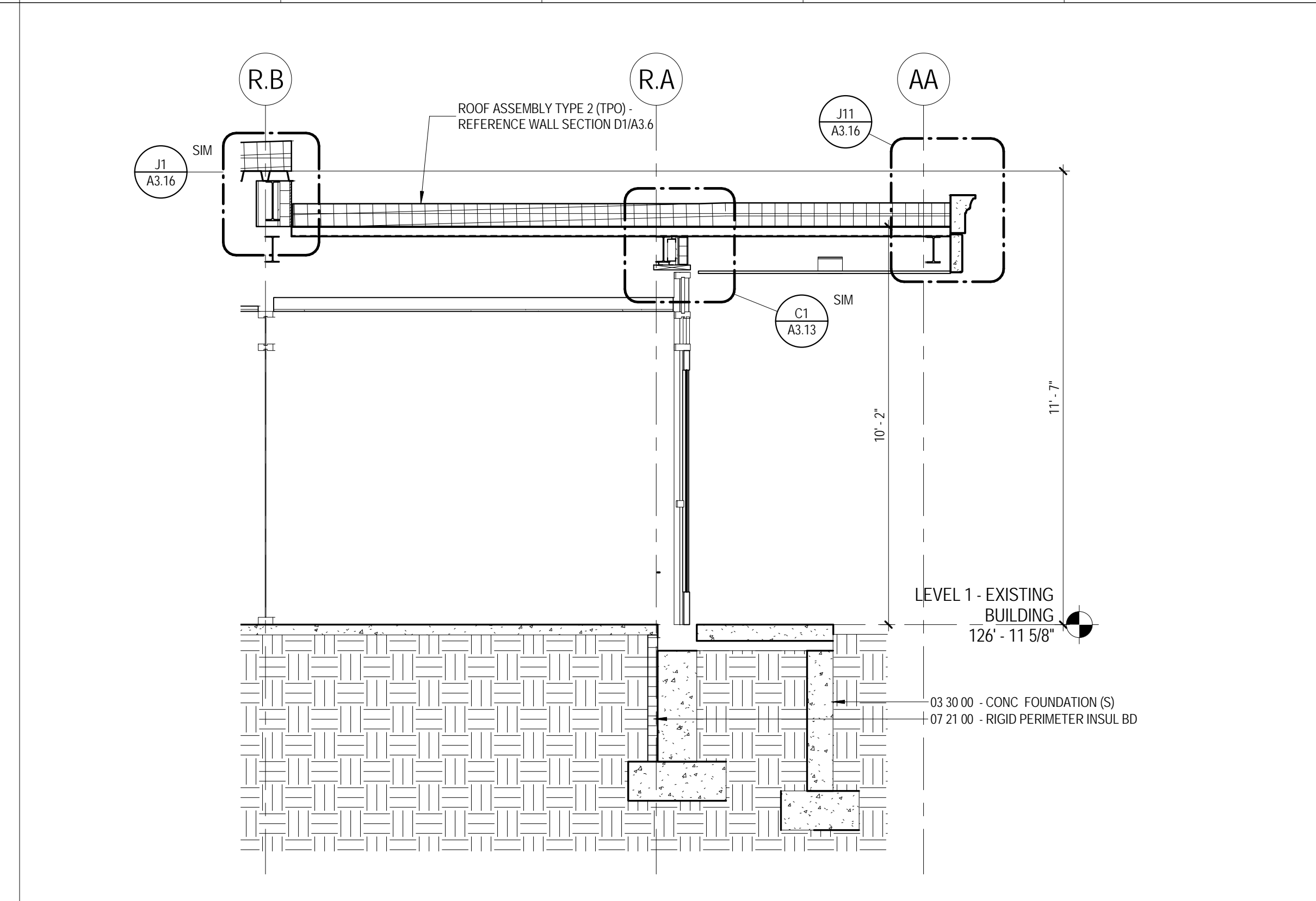


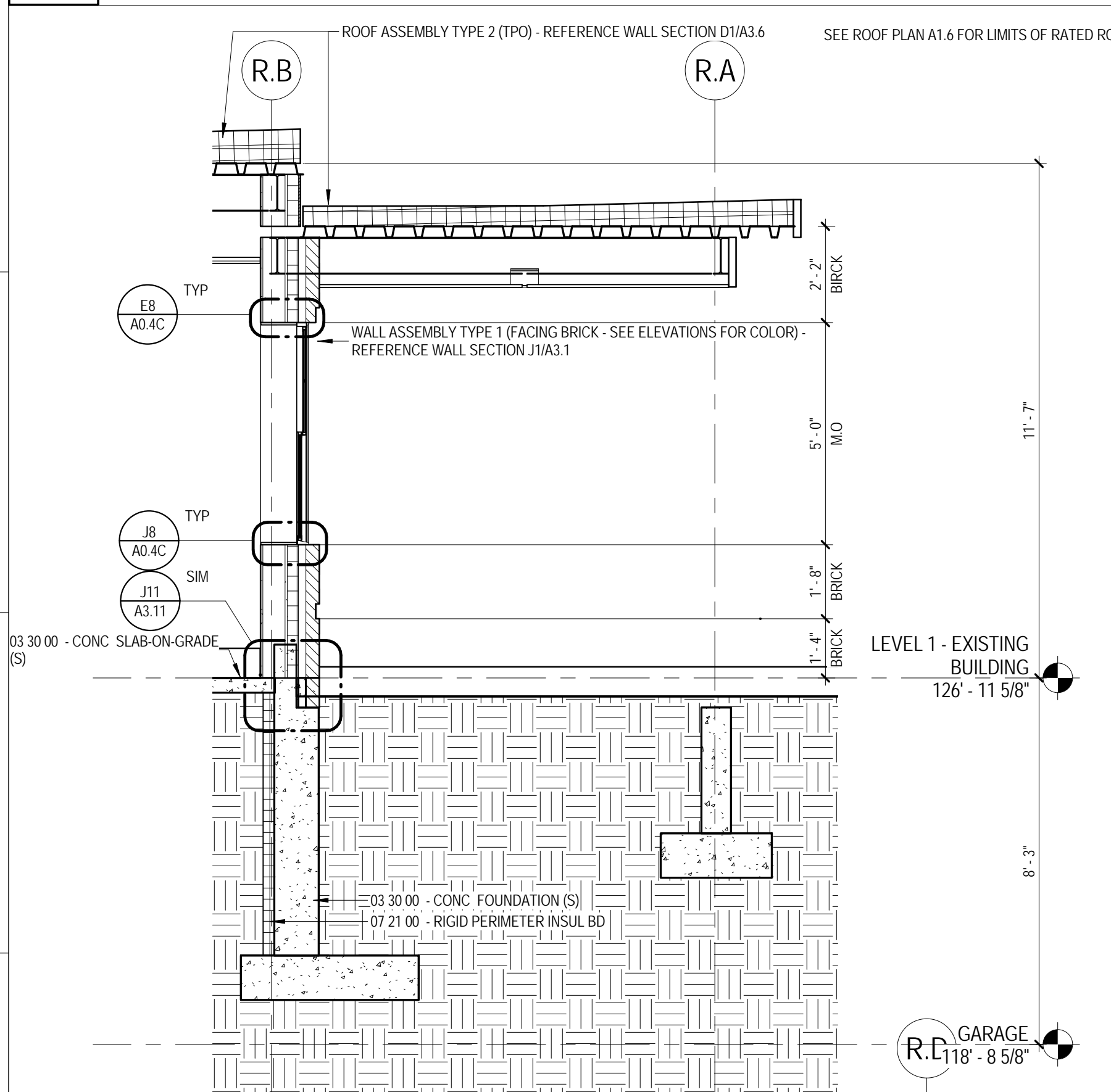
**D1** EXTERIOR WALL SECTION 21  
A3.6 3/8" = 1'-0"



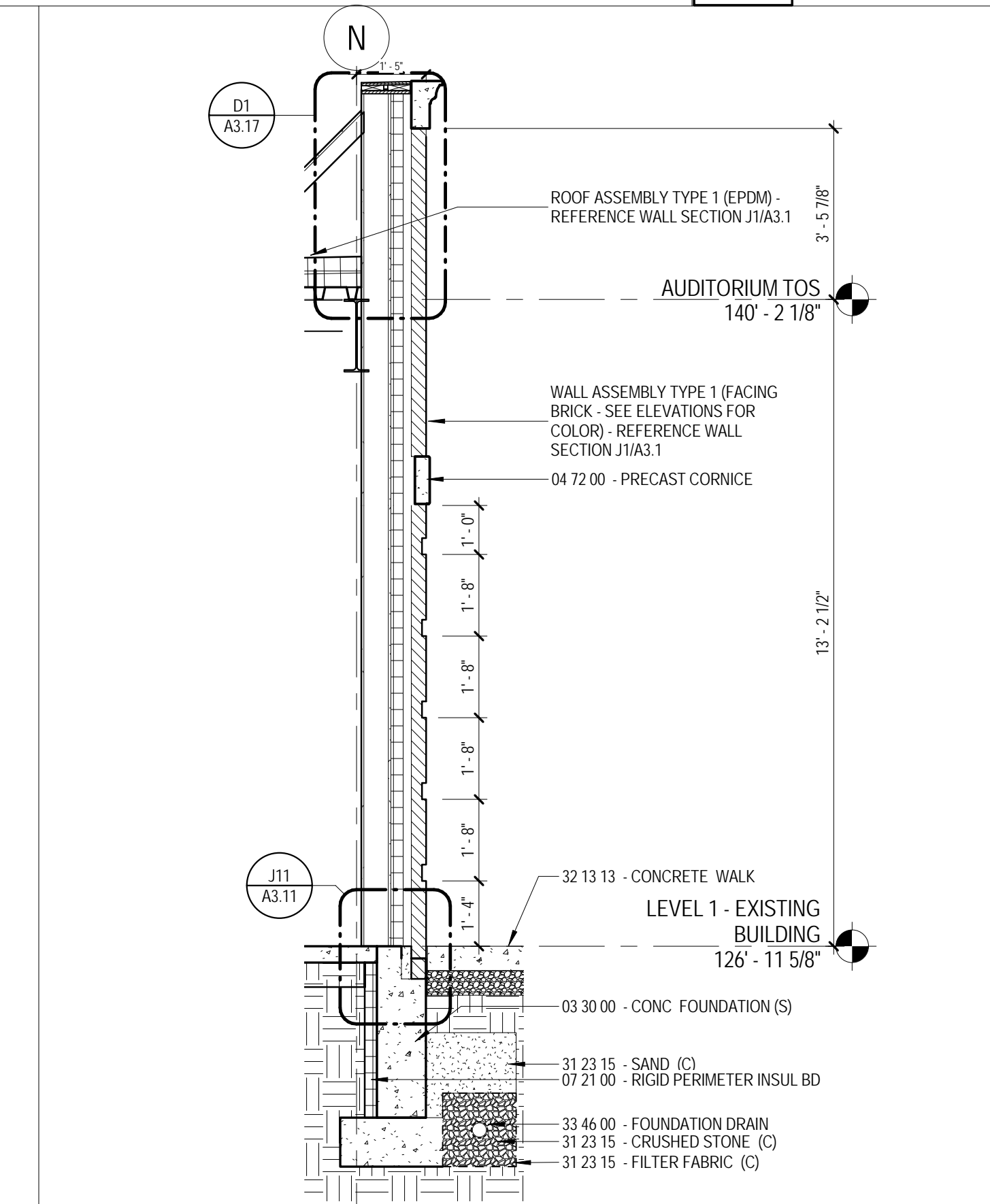
**D7** EXTERIOR WALL SECTION 22 @ FIRE WALL  
A3.6 3/8" = 1'-0"



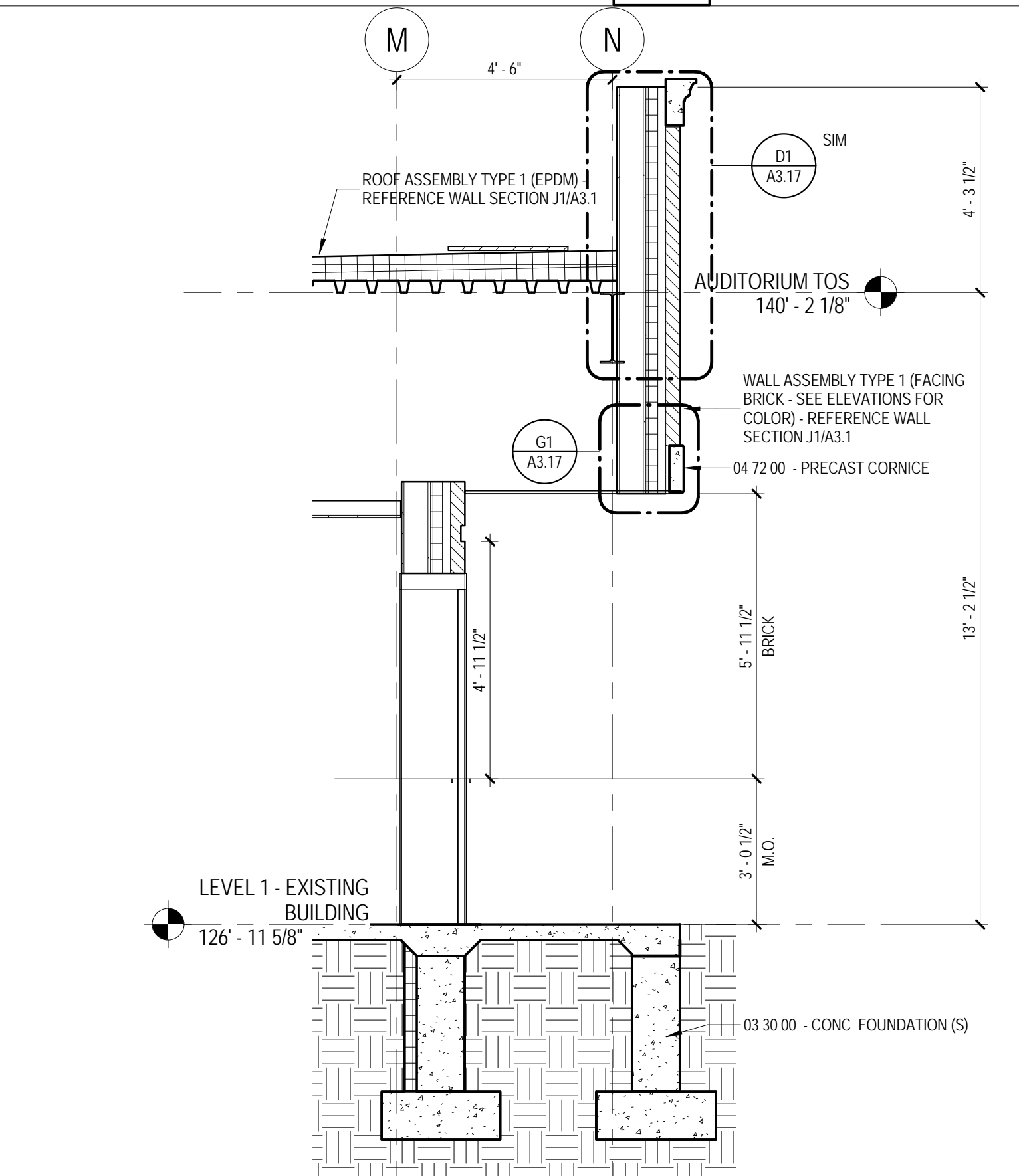
**D9** EXTERIOR WALL SECTION 23 CONNECTOR VESTIBULE  
A3.6 3/8" = 1'-0"



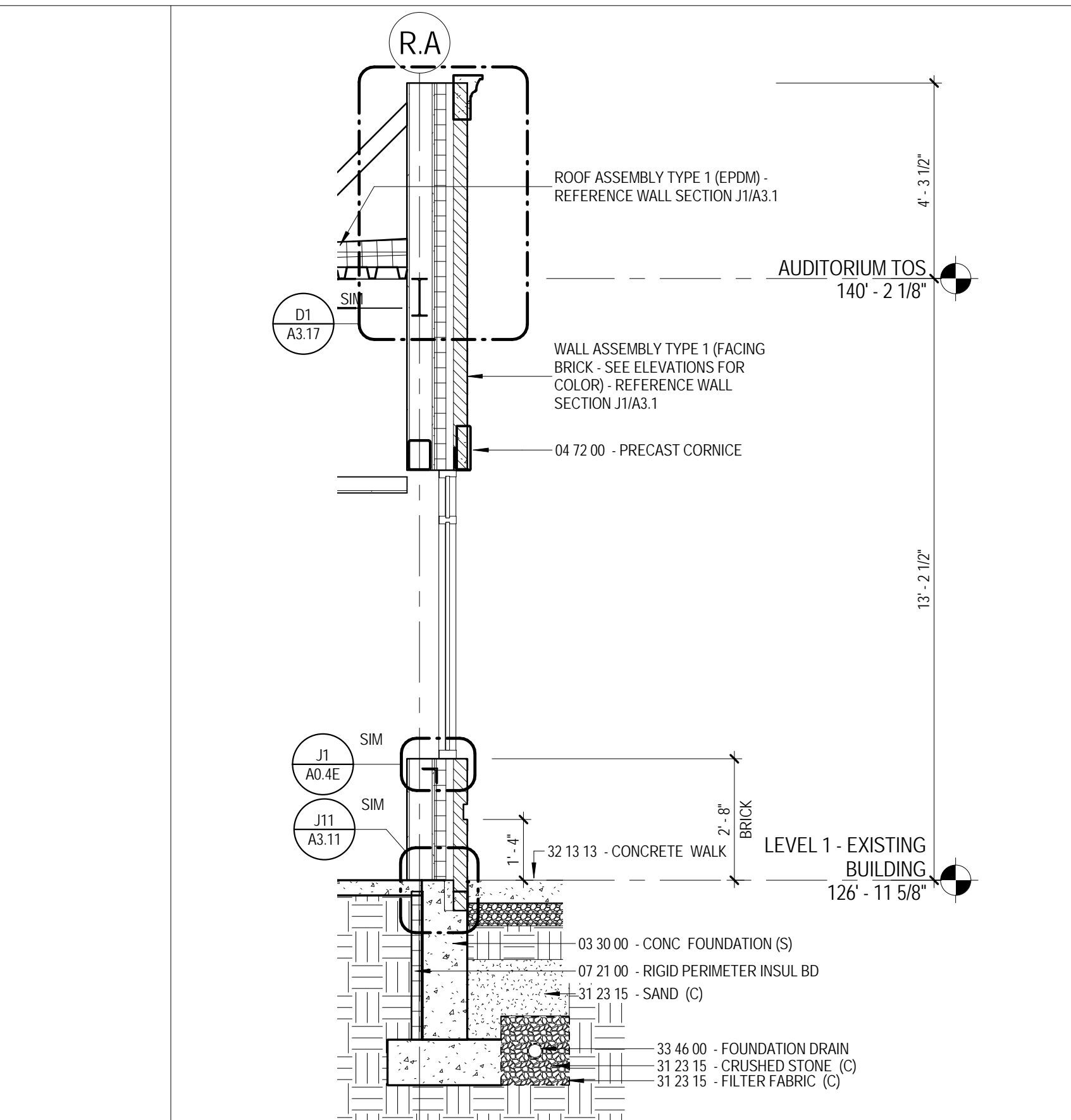
**G1** EXTERIOR WALL SECTION 24 FARMER'S PORCH  
A3.6 3/8" = 1'-0"



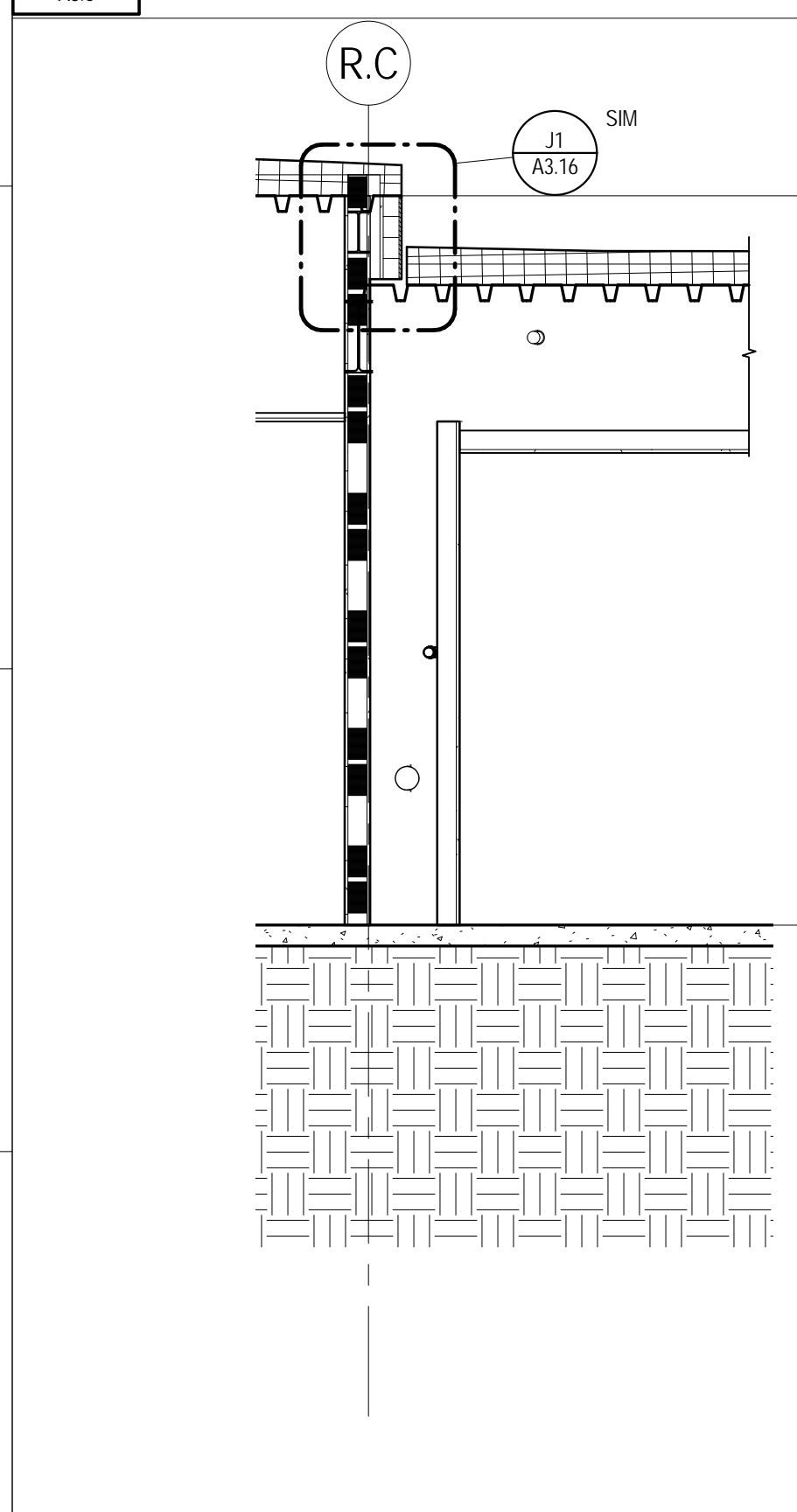
**G5** EXTERIOR WALL SECTION 25 TYP. AUDITORIUM WALL  
A3.6 3/8" = 1'-0"



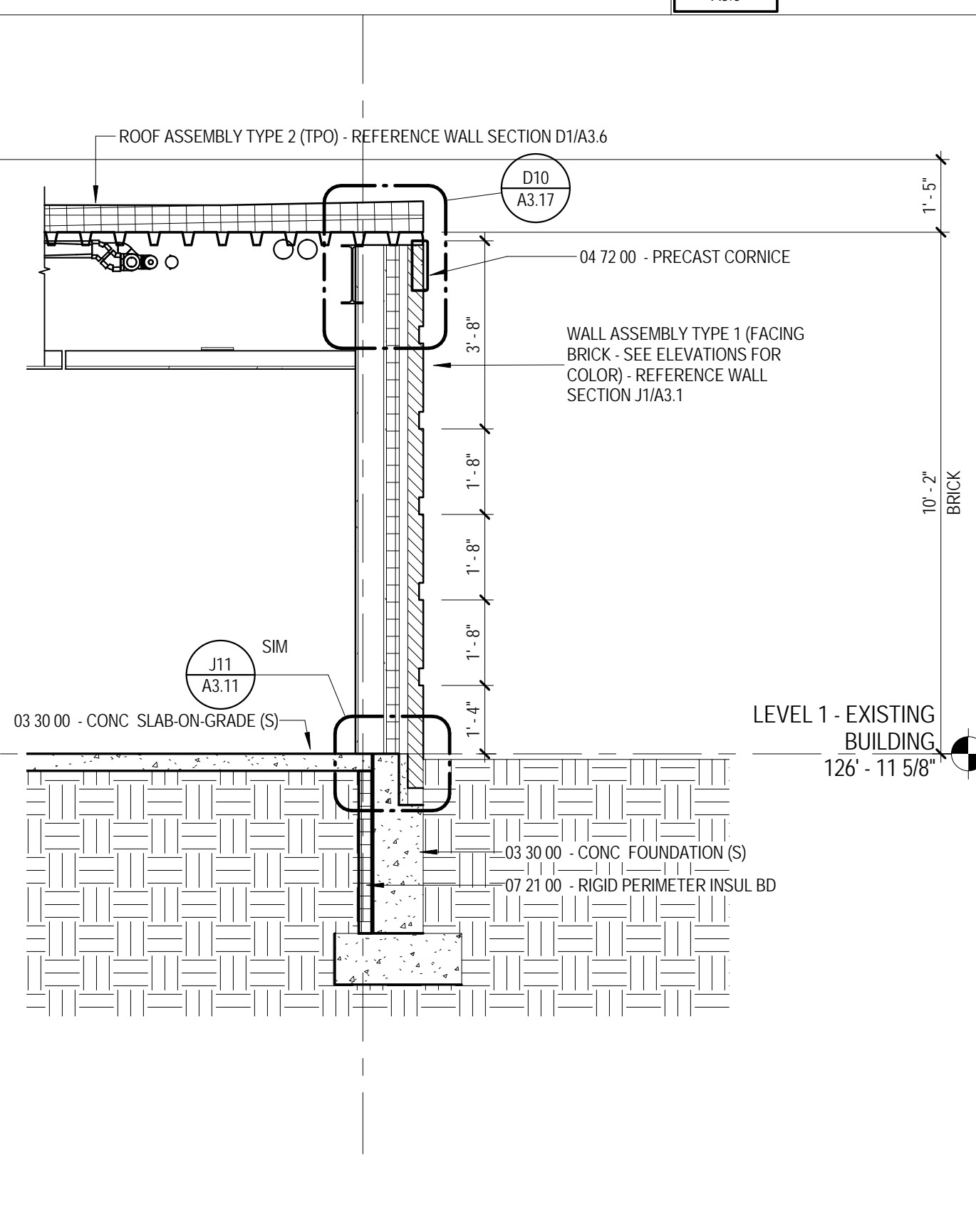
**G7** EXTERIOR WALL SECTION 26 AUDITORIUM EGRESS DOOR  
A3.6 3/8" = 1'-0"



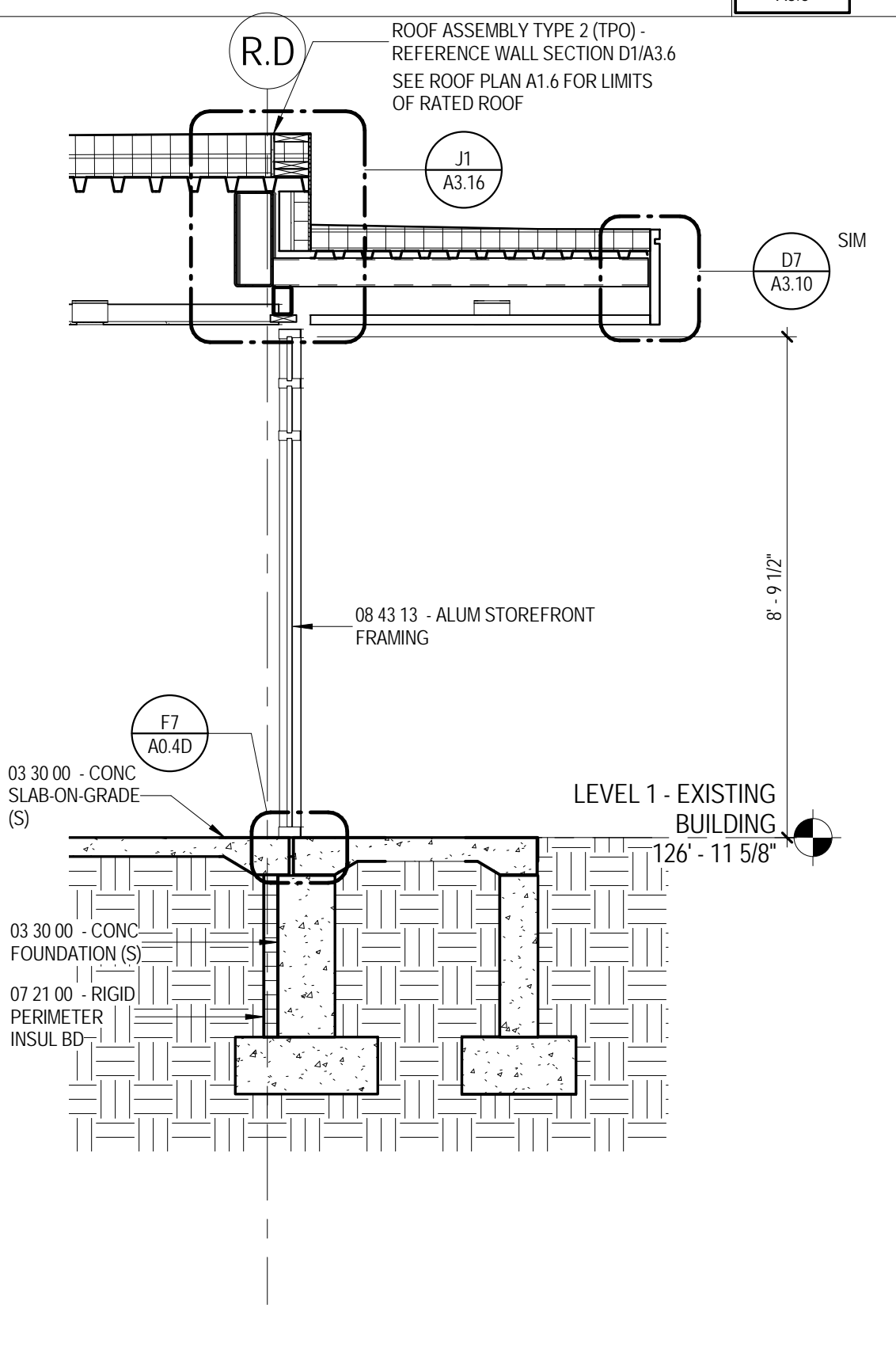
**G12** EXTERIOR WALL SECTION 27 STOREFRONT AUDITORIUM WALL  
A3.6 3/8" = 1'-0"



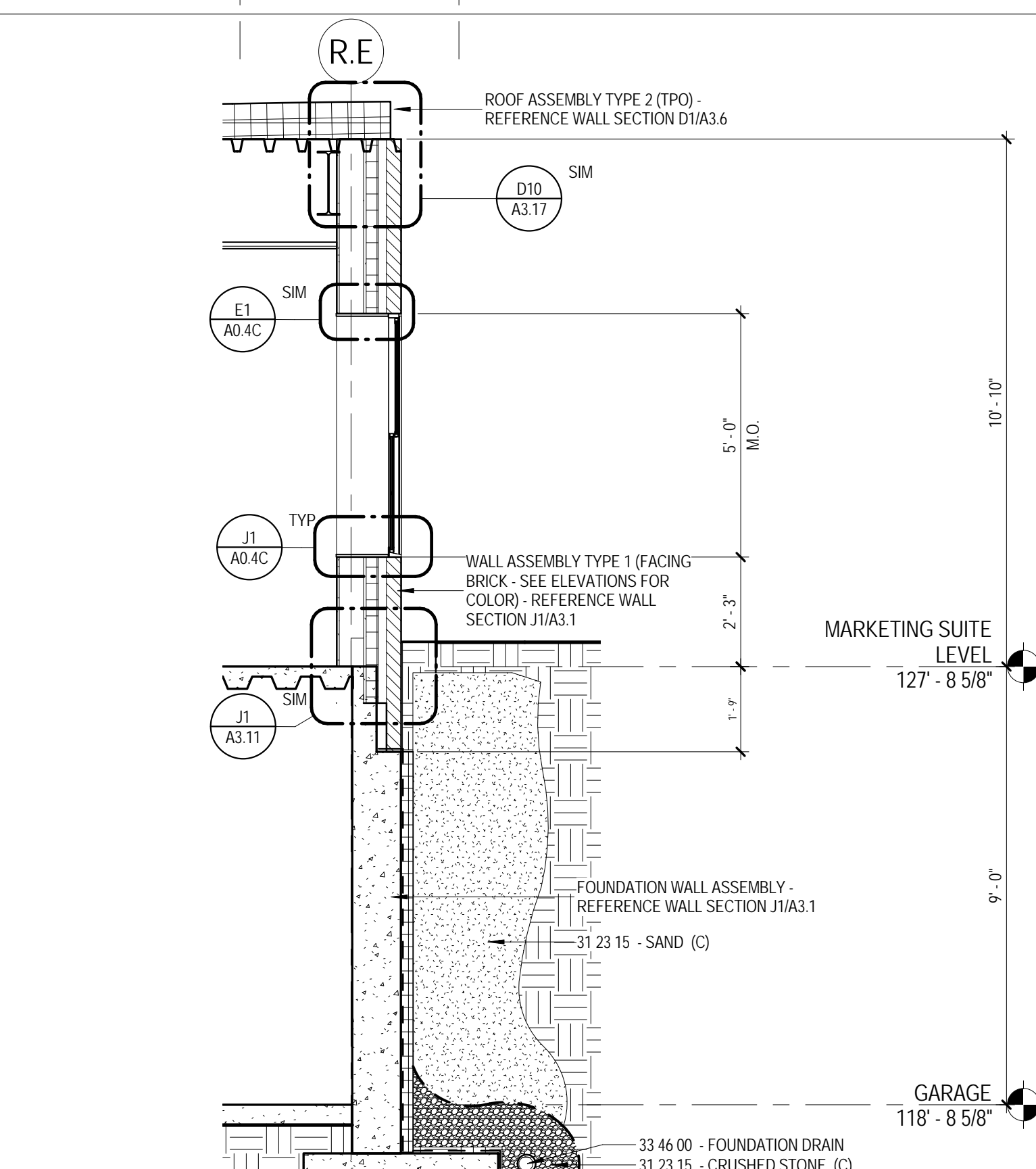
**J1** EXTERIOR WALL SECTION 28  
A3.6 3/8" = 1'-0"



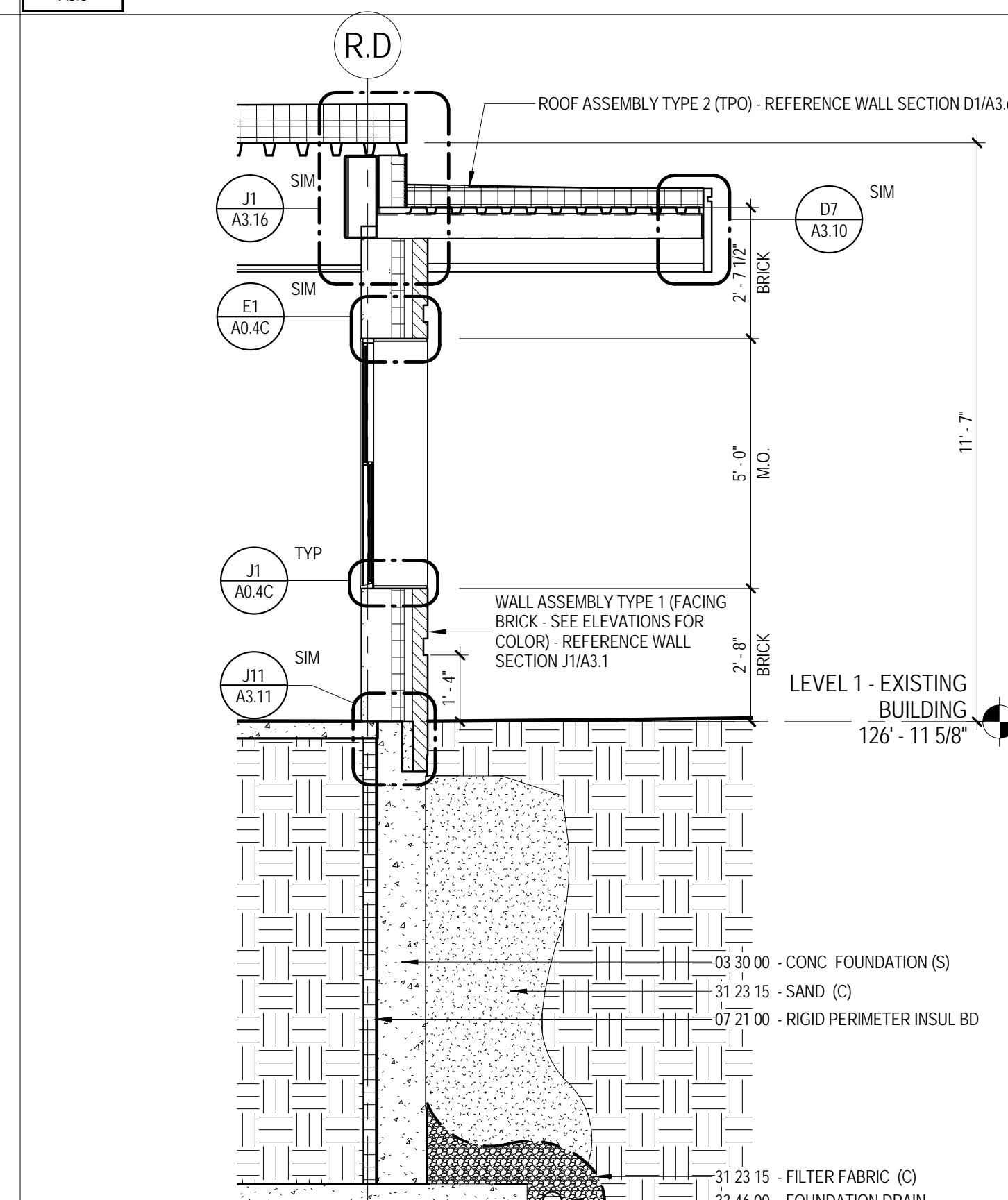
**J6** EXTERIOR WALL SECTION 29  
A3.6 3/8" = 1'-0"



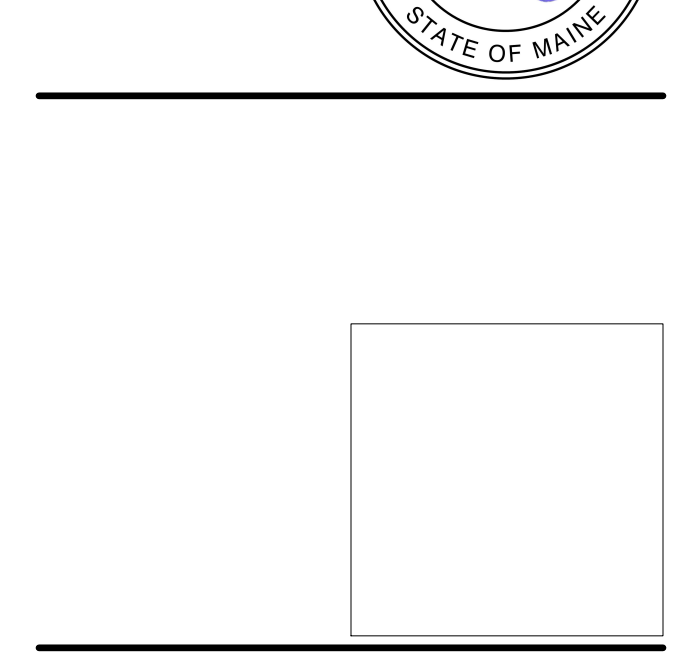
**J8** EXTERIOR WALL SECTION 30  
A3.6 3/8" = 1'-0"



**J12** EXTERIOR WALL SECTION 31  
A3.6 3/8" = 1'-0"



**J12** EXTERIOR WALL SECTION 31  
A3.6 3/8" = 1'-0"



The Park Danforth

RENOVATIONS AND ADDITIONS

777 Stevens Ave  
Portland, ME 04103

NO.	DESCRIPTION	DATE

CONTENT: WALL SECTIONS	
DRAWN BY:	KM
PROJECT NO:	13-059-00
DATE:	06/05/2015
REVISED:	10/16/2015
SCALE:	3/8" = 1'-0"
<b>A3.6</b>	
Project Phase <b>CONFORMANCE SET</b>	
<small>COPYRIGHT © 2015 BY LAVALLEE BRENSINGER PROFESSIONAL ASSOCIATION. ALL RIGHTS RESERVED. NO REPRODUCTION WITHOUT PERMISSION.</small>	