

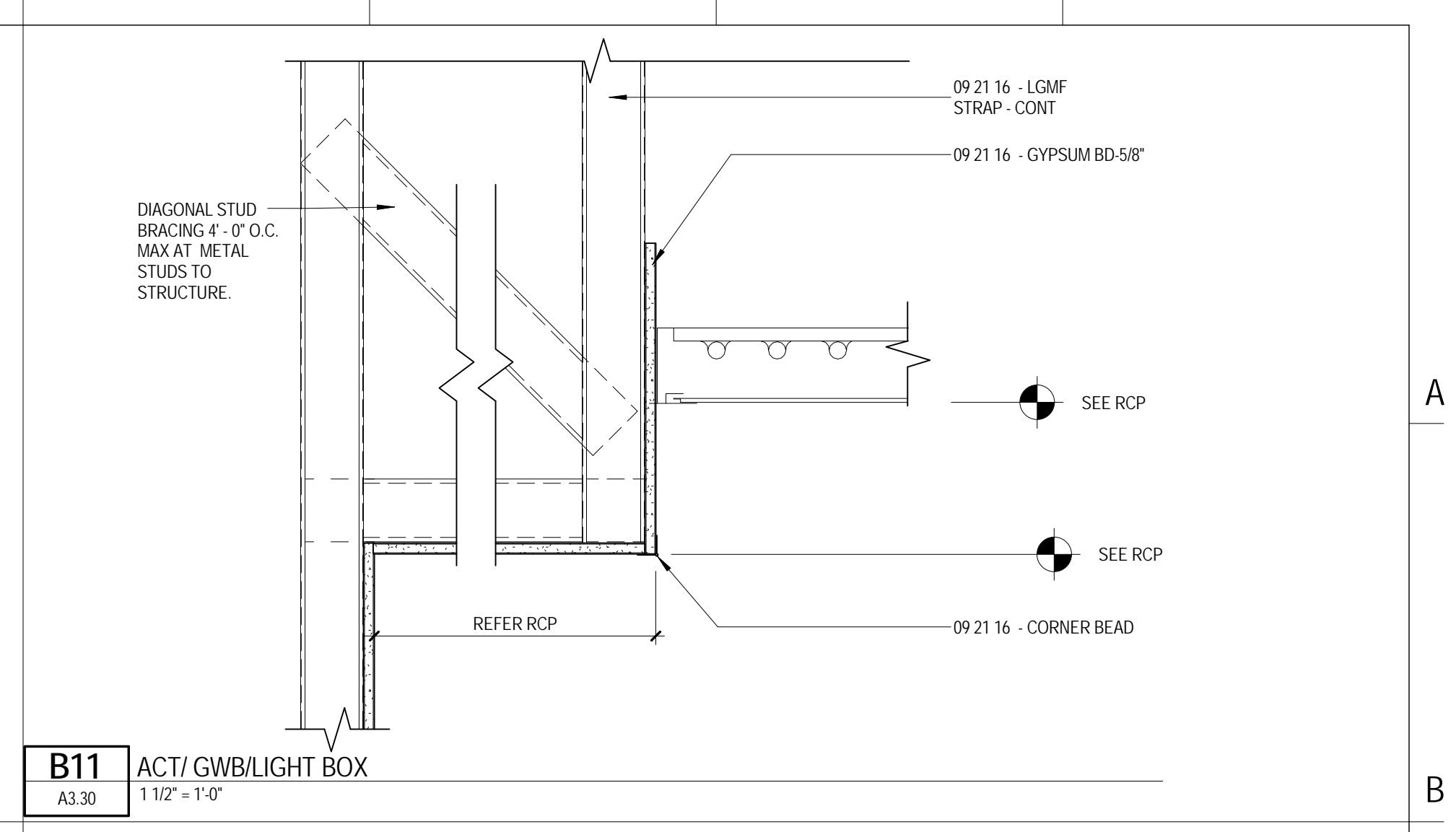
The Park Danforth

RENOVATIONS AND ADDITIONS

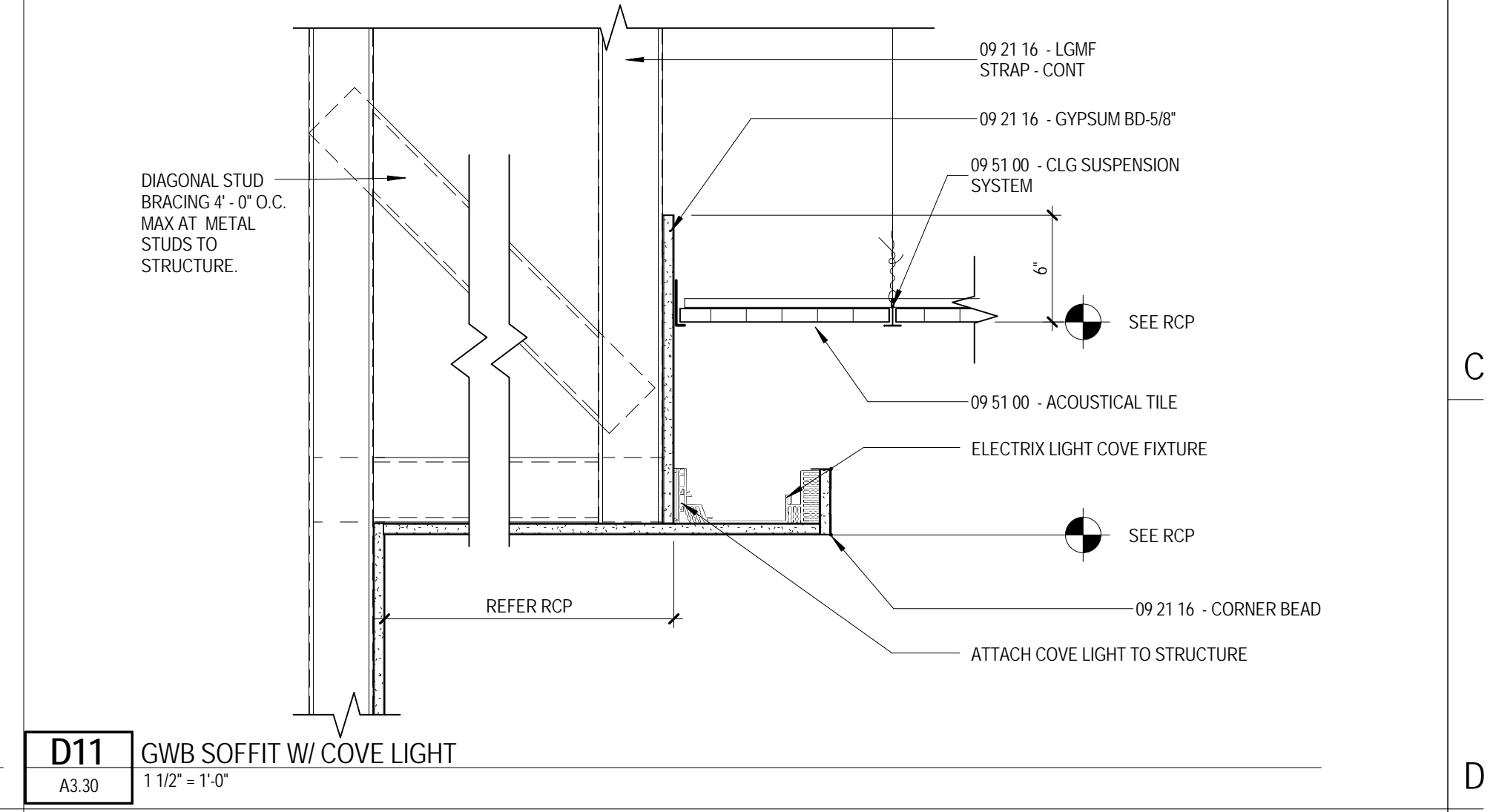
777 Stevens Ave
 Portland, ME 04103

NO.	DESCRIPTION	DATE

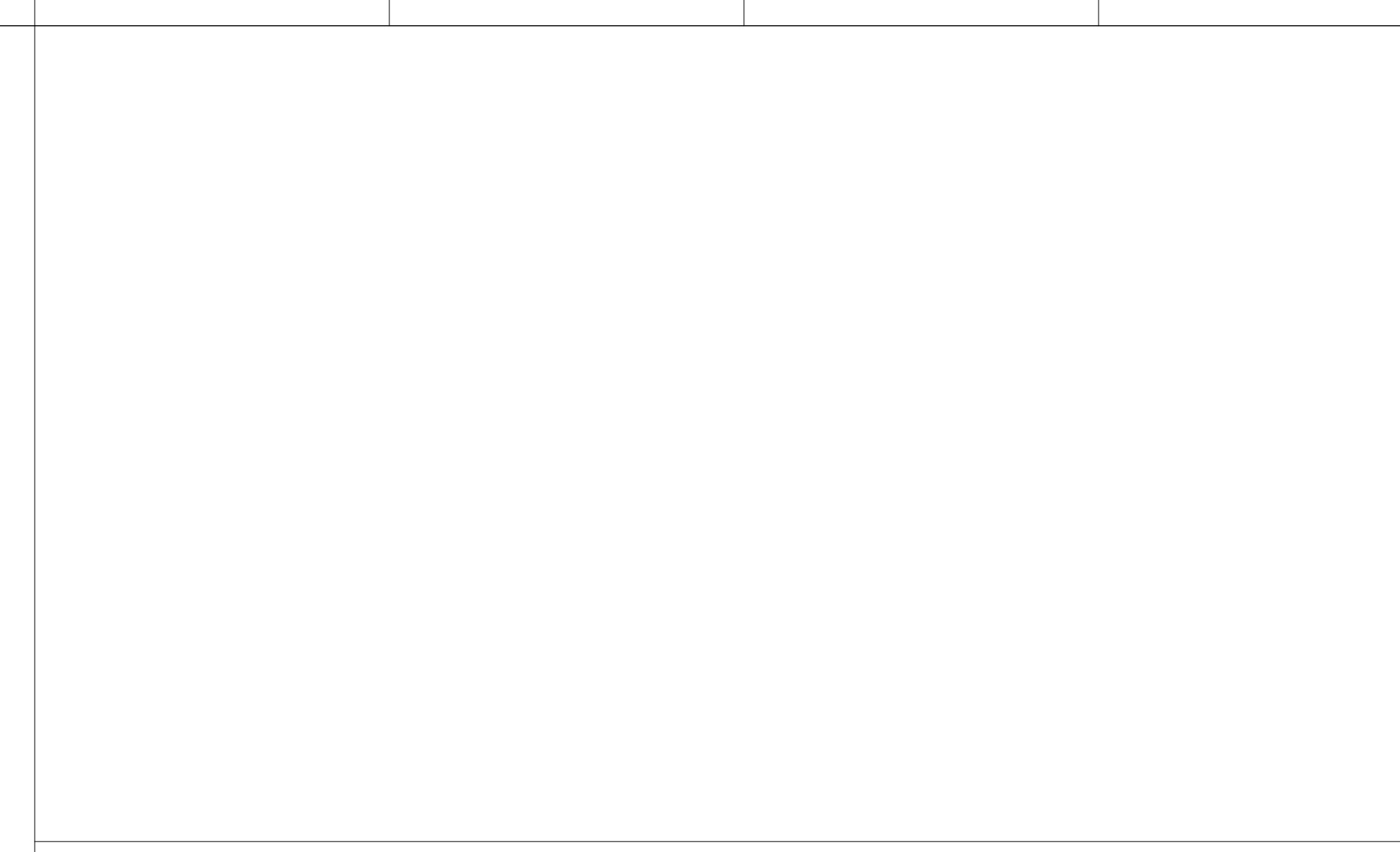
CONTENT:	
CEILING DETAILS	
DRAWN BY:	SW
PROJECT NO:	13-059-00
DATE:	06/05/2015
REVISED:	10/16/2015
SCALE:	As Indicated
A3.30	
Project Phase	
CONFORMANCE SET	
COPYRIGHT © 2015 BY LAVALLEE BRENSINGER PROFESSIONAL ASSOCIATION. ALL RIGHTS RESERVED. NO REPRODUCTION WITHOUT PERMISSION.	



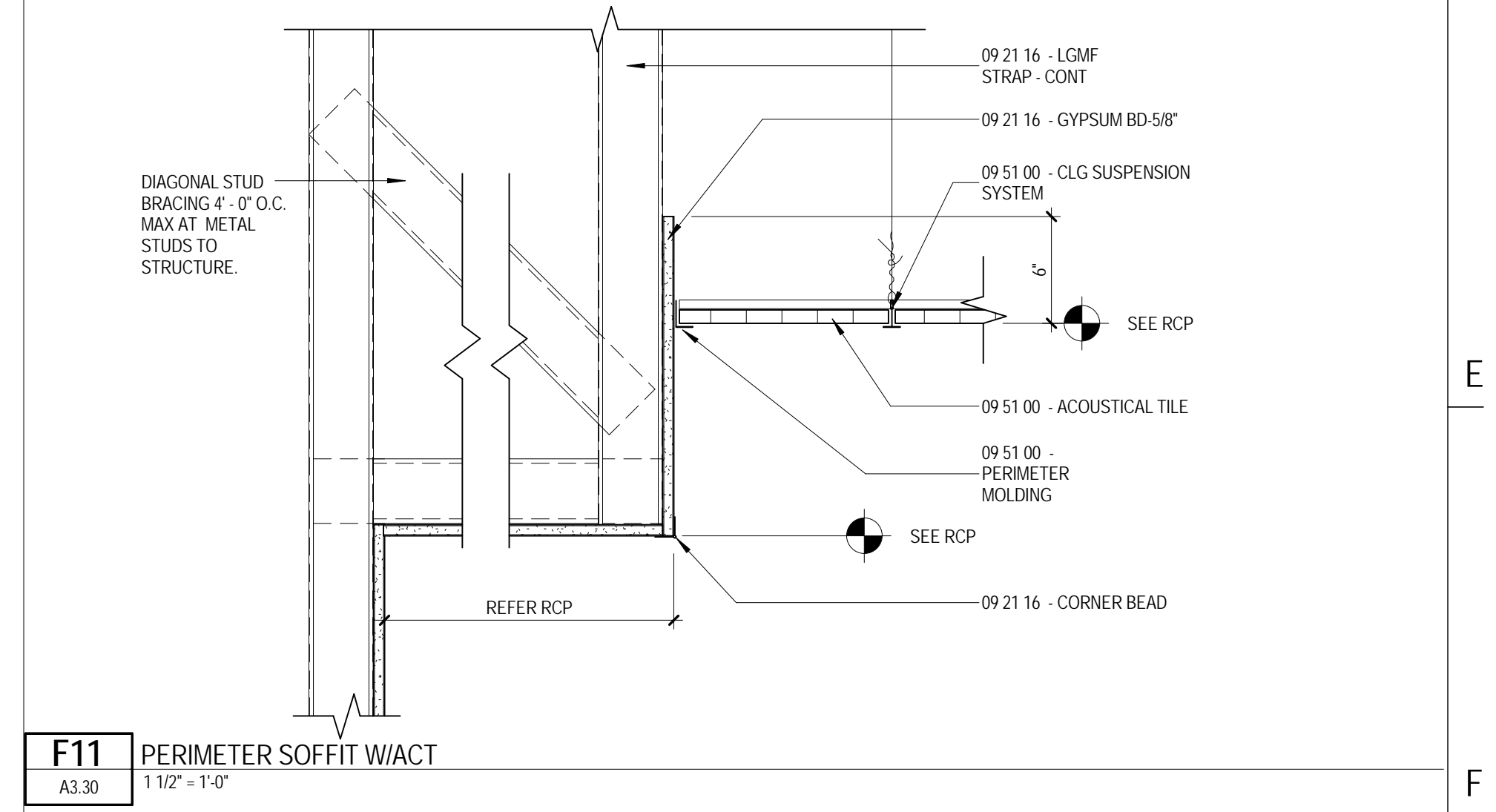
B11
 A3.30 ACT/GWB/LIGHT BOX
 1 1/2" = 1'-0"



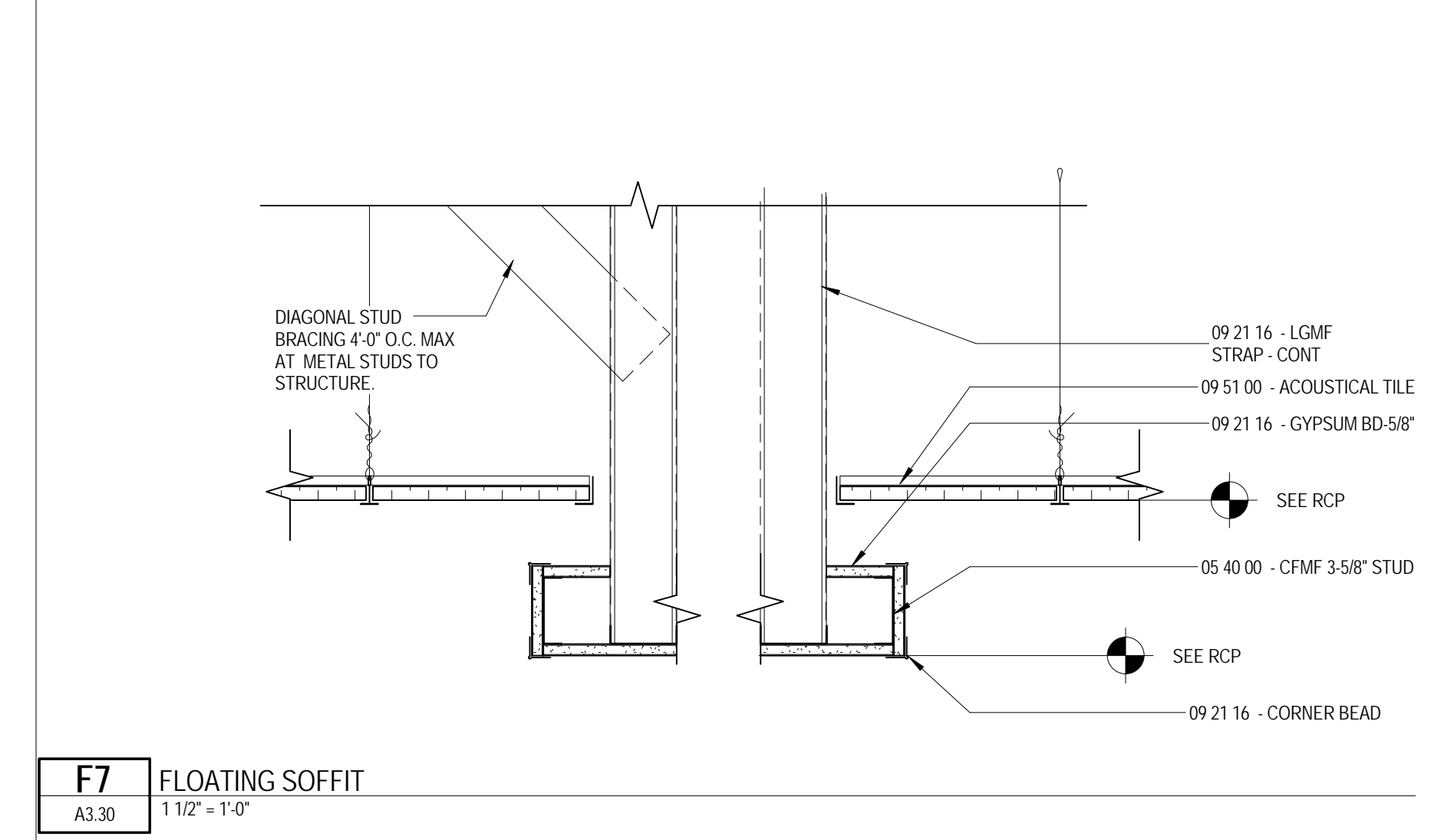
D11
 A3.30 GWB SOFFIT W/ COVE LIGHT
 1 1/2" = 1'-0"



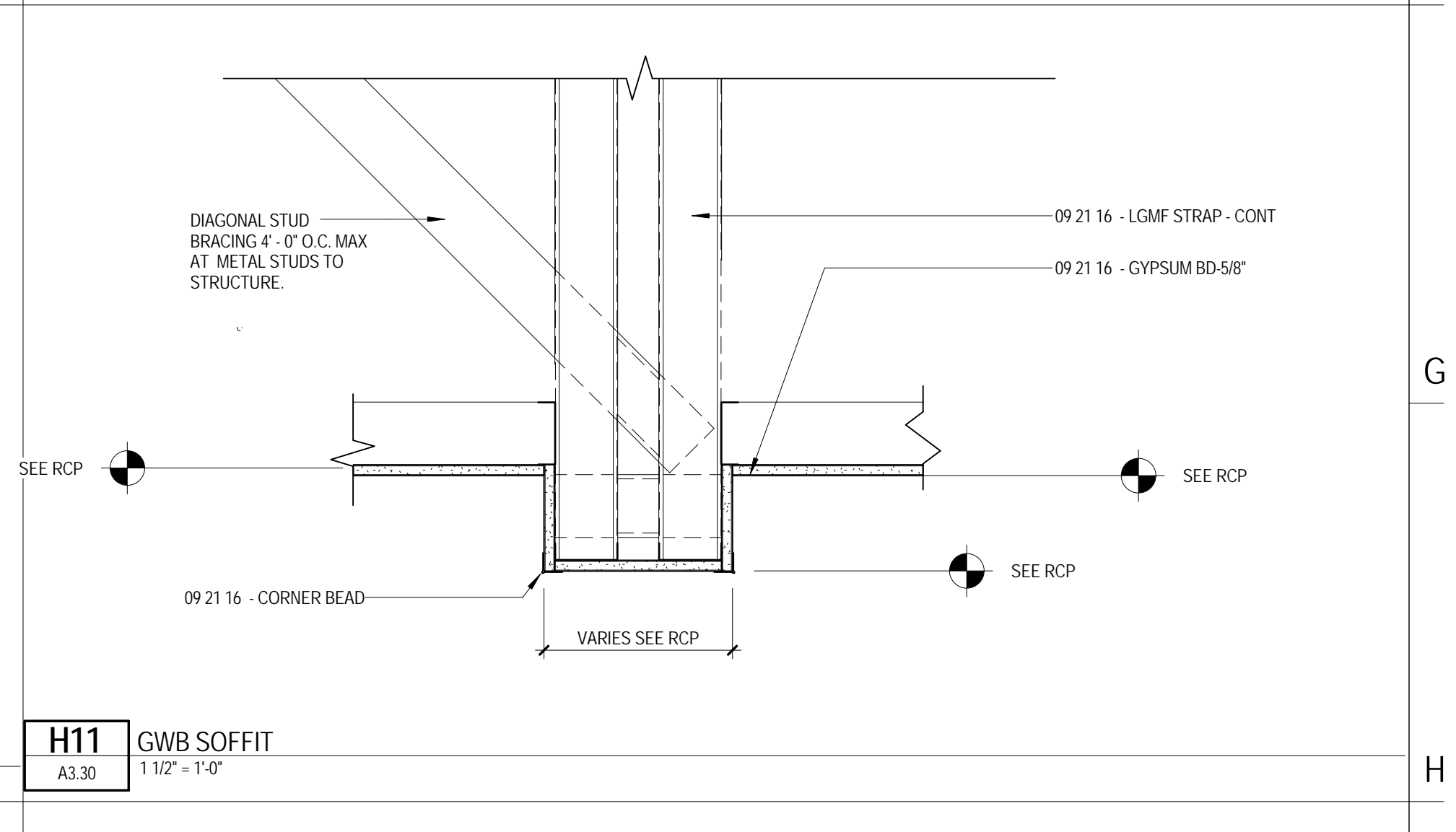
D7
 A3.30 TYPICAL CEILING EXPANSION JOINT DETAIL
 3" = 1'-0"



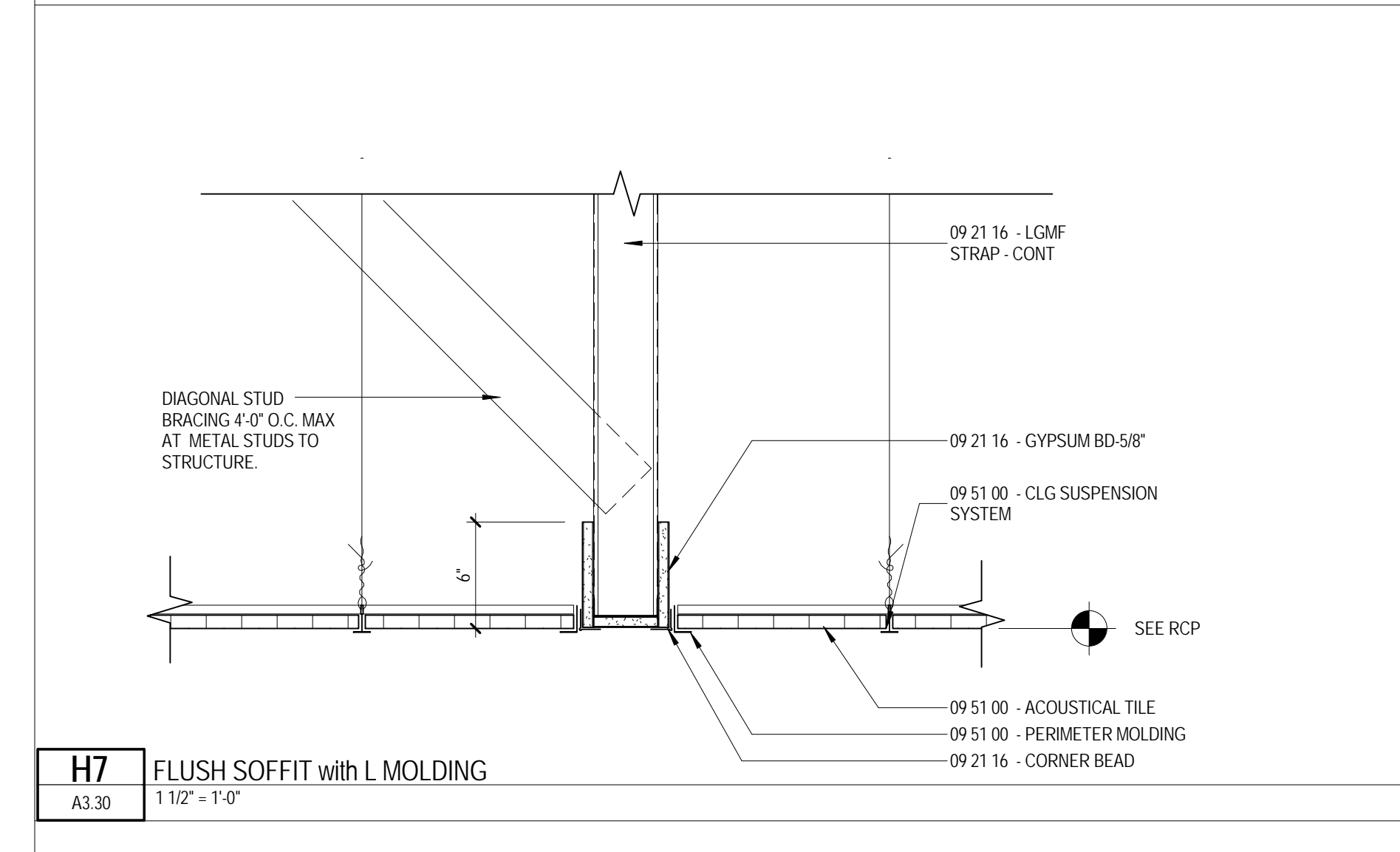
F11
 A3.30 PERIMETER SOFFIT W/ACT
 1 1/2" = 1'-0"



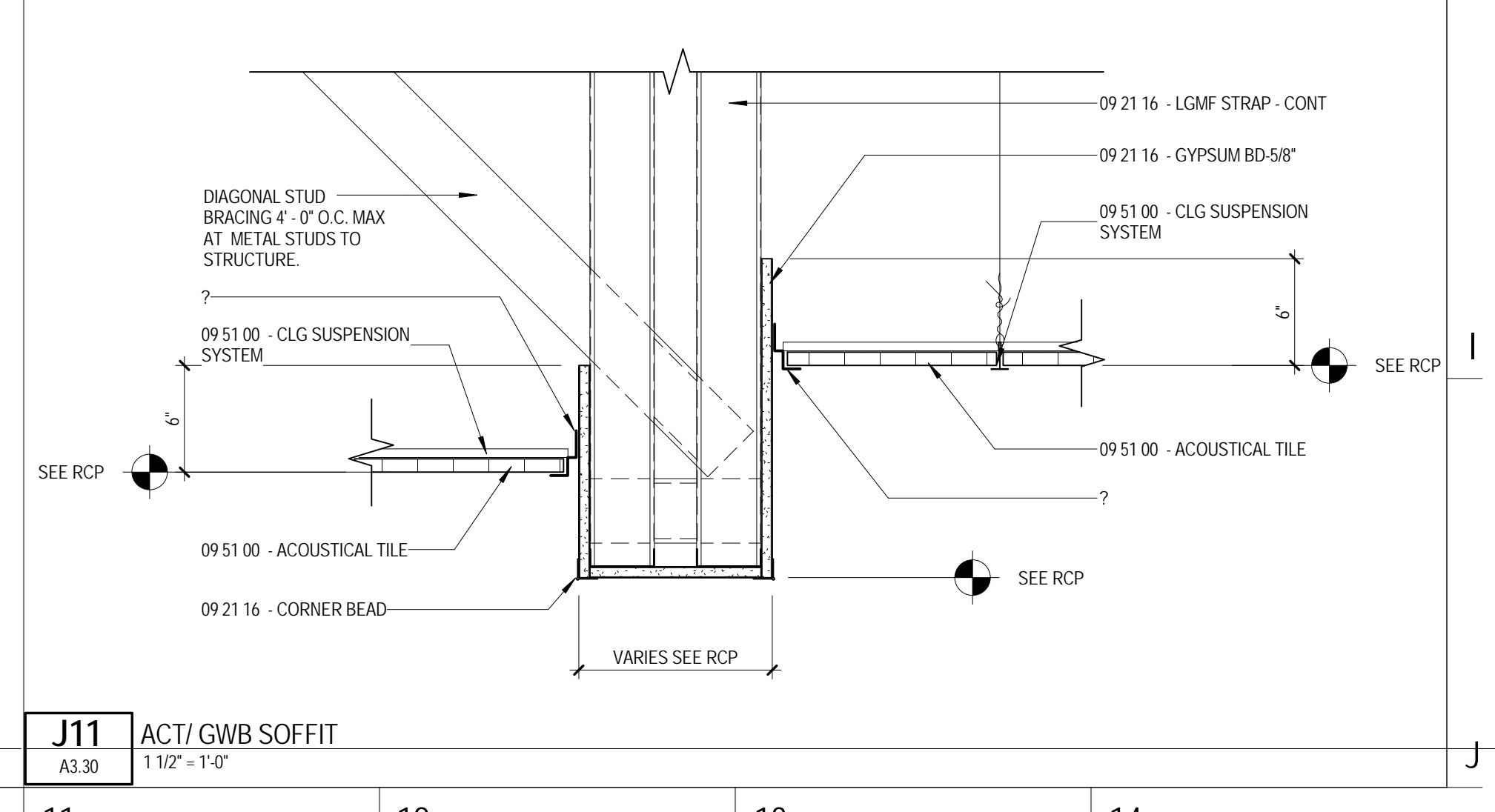
F7
 A3.30 FLOATING SOFFIT
 1 1/2" = 1'-0"



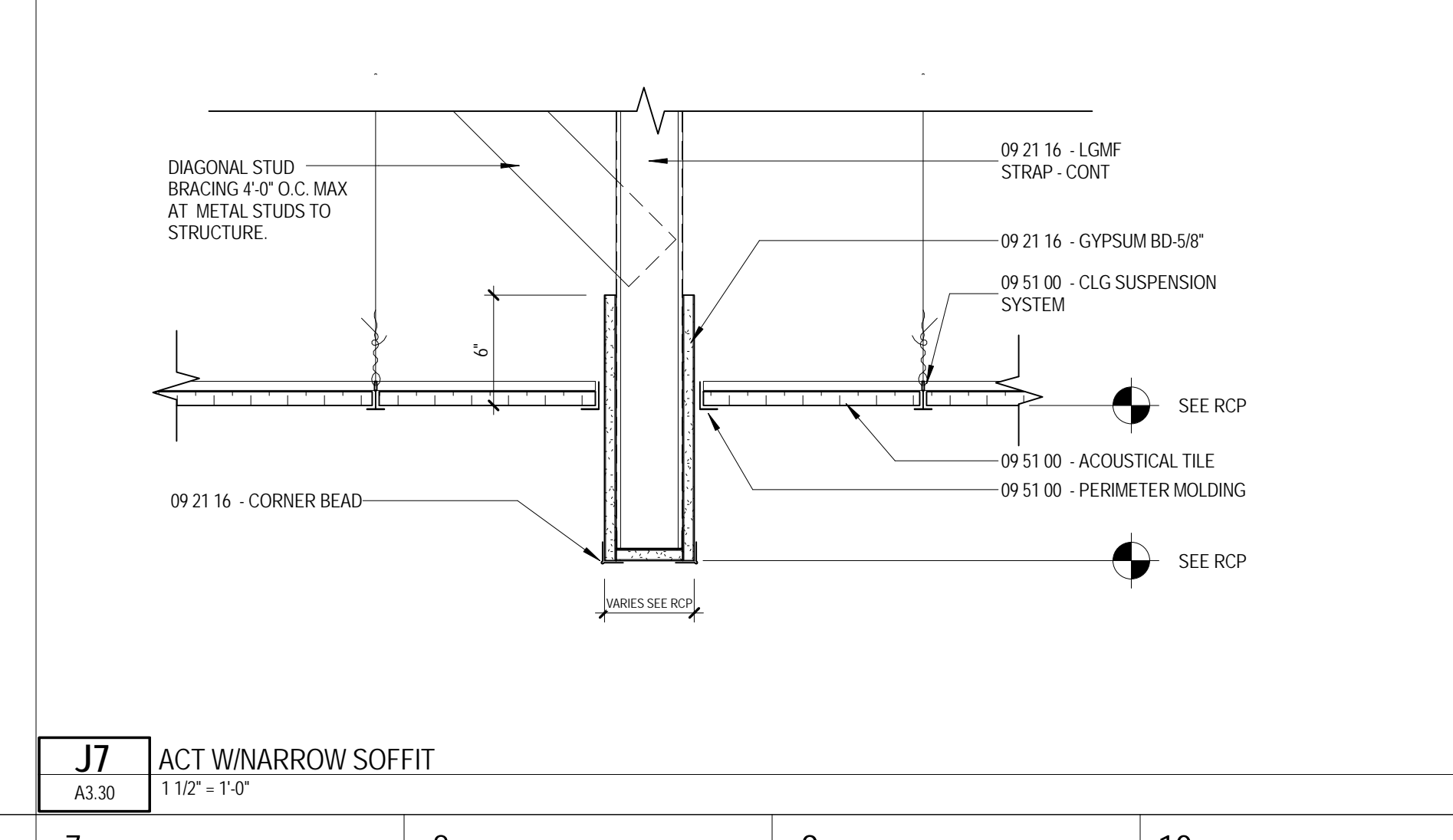
H11
 A3.30 GWB SOFFIT
 1 1/2" = 1'-0"



H7
 A3.30 FLUSH SOFFIT with L MOLDING
 1 1/2" = 1'-0"



J11
 A3.30 ACT/GWB SOFFIT
 1 1/2" = 1'-0"



J7
 A3.30 ACT W/NARROW SOFFIT
 1 1/2" = 1'-0"

10/16/2015 2:28:27 PM C:\Projects\13-059-00_The Park Danforth_R15_10-08-2015_South\mmonof