

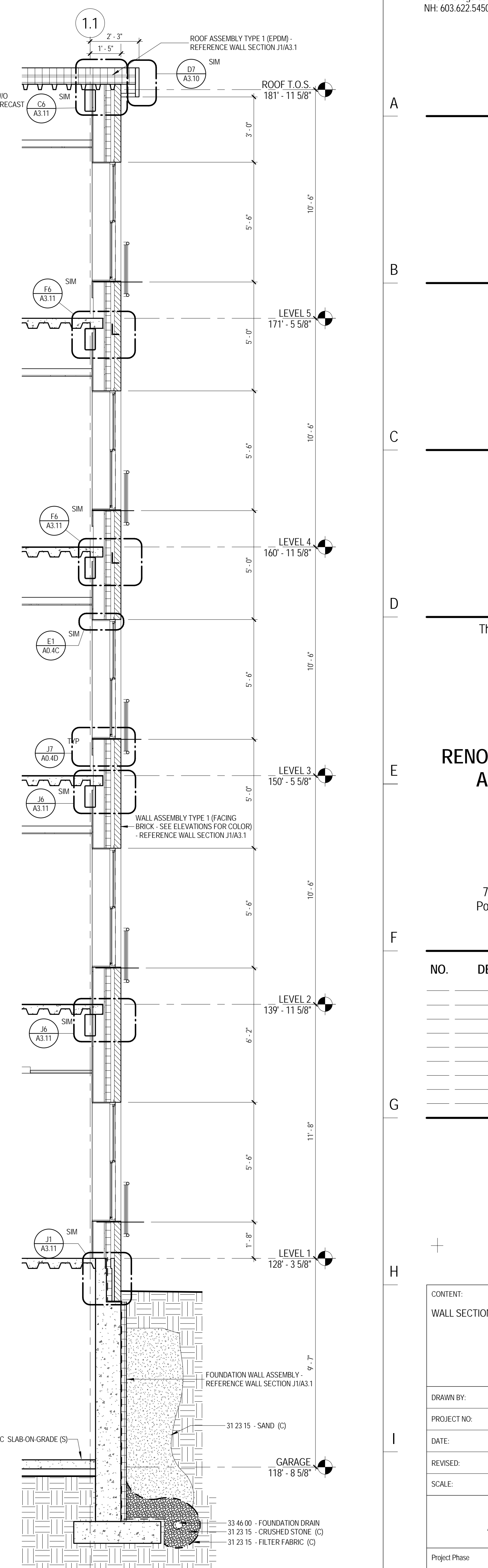
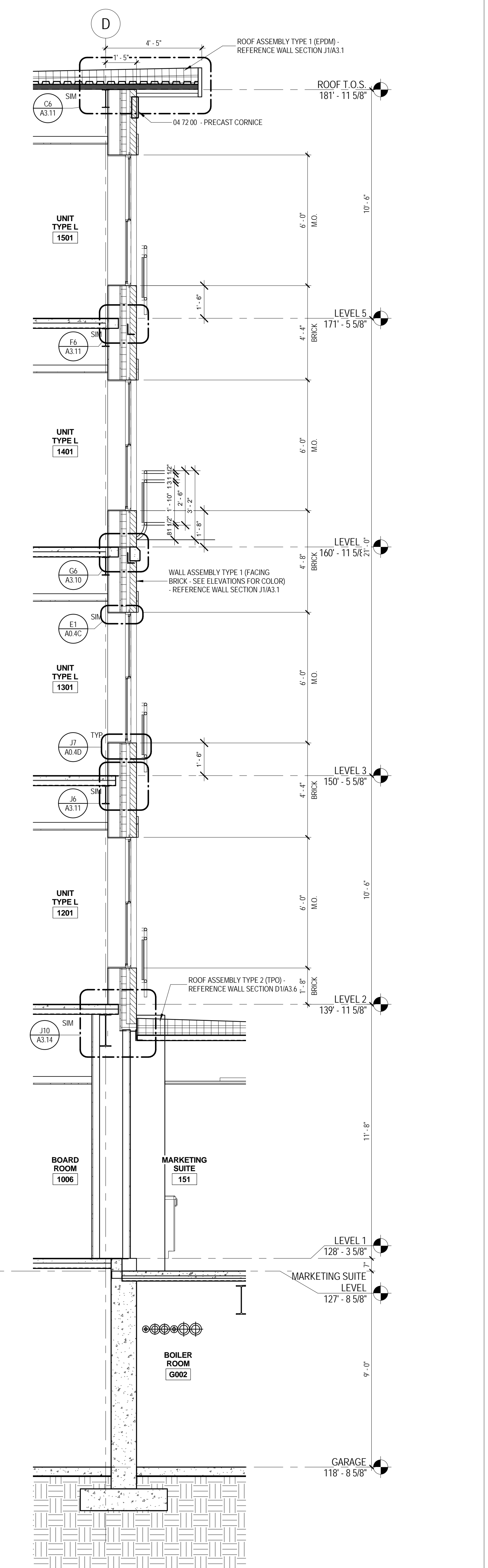
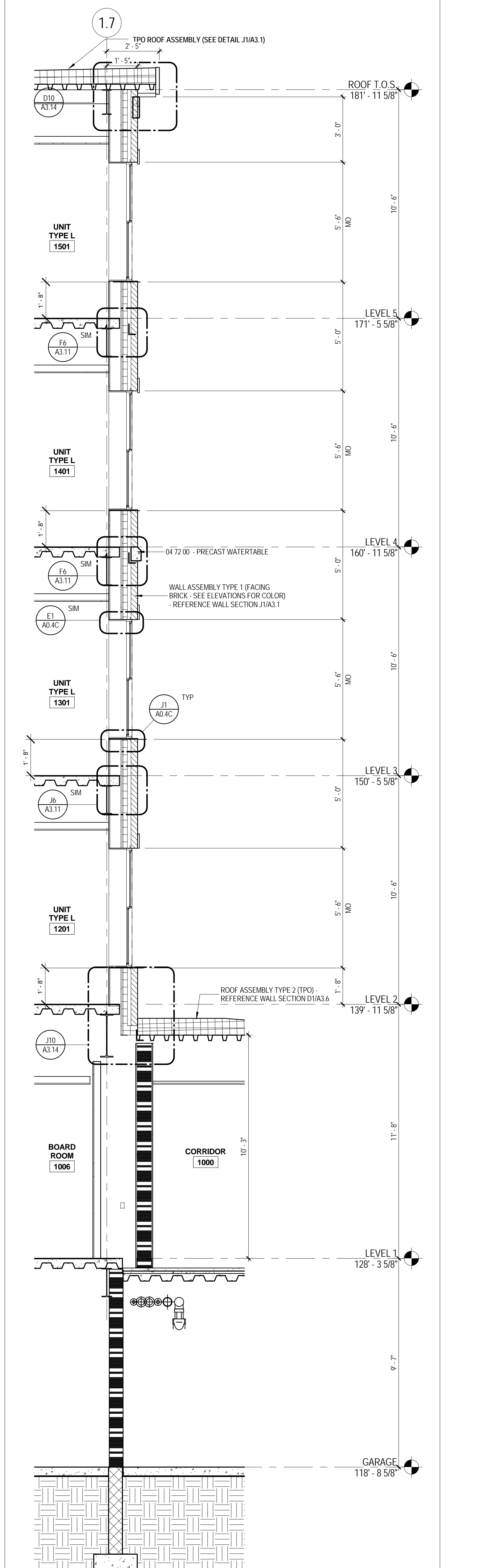
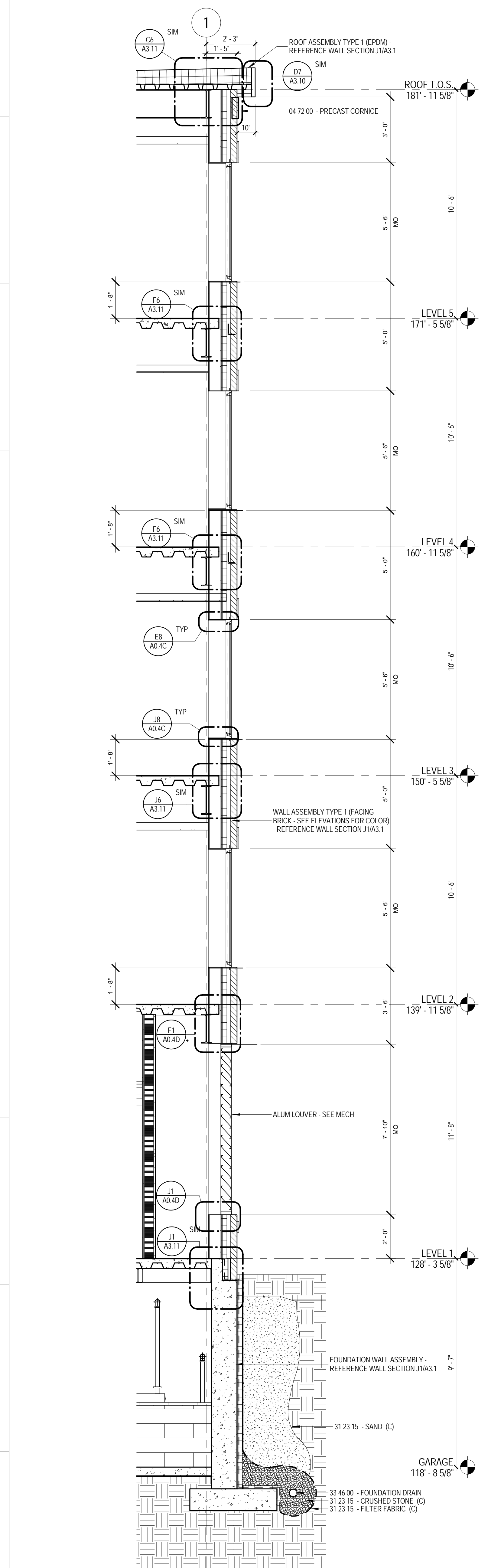
The Park Danforth

RENOVATIONS AND ADDITIONS

777 Stevens Ave
 Portland, ME 04103

NO.	DESCRIPTION	DATE

CONTENT: WALL SECTIONS	
DRAWN BY:	KM
PROJECT NO:	13-059-00
DATE:	06/05/2015
REVISED:	10/16/2015
SCALE:	3/8" = 1'-0"
A3.3	
Project Phase CONFIRMANCE SET	
COPYRIGHT © 2015 BY LAVALLEE BRENSINGER PROFESSIONAL ASSOCIATION. ALL RIGHTS RESERVED. NO REPRODUCTION WITHOUT PERMISSION.	



I:\020715\248131\PM C:\Projects\13-059-00_The Park Danforth_R15_10-08-2015_Scullin.mxd