

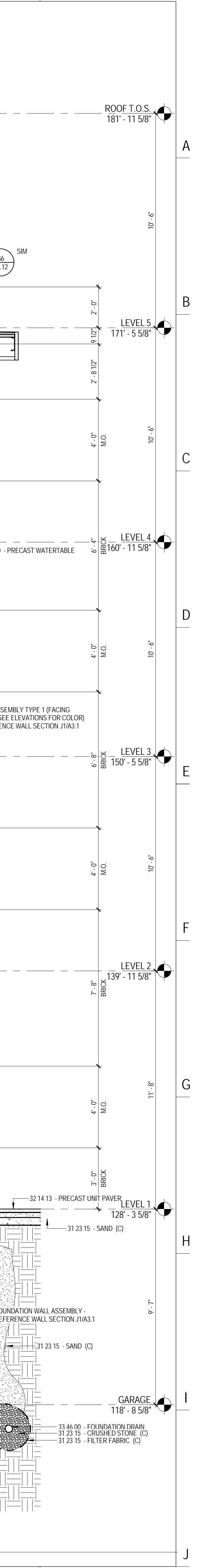
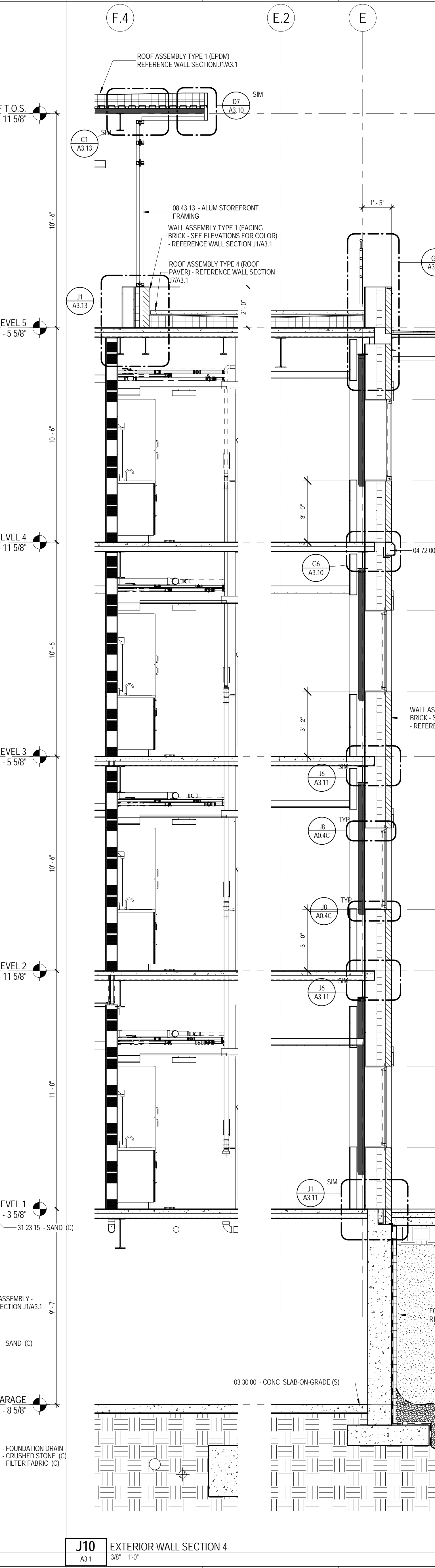
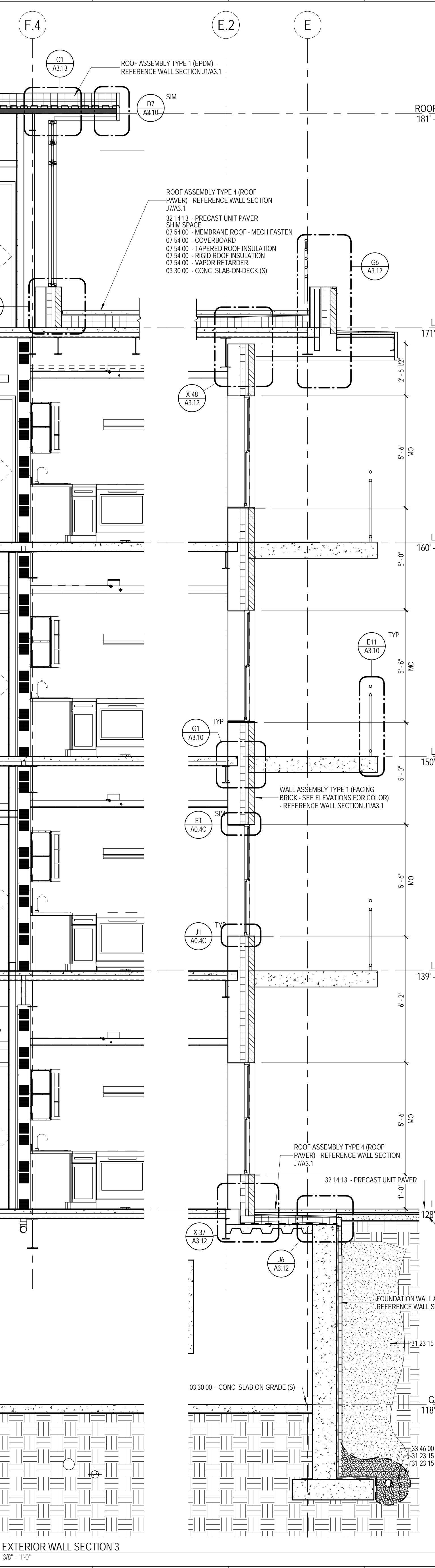
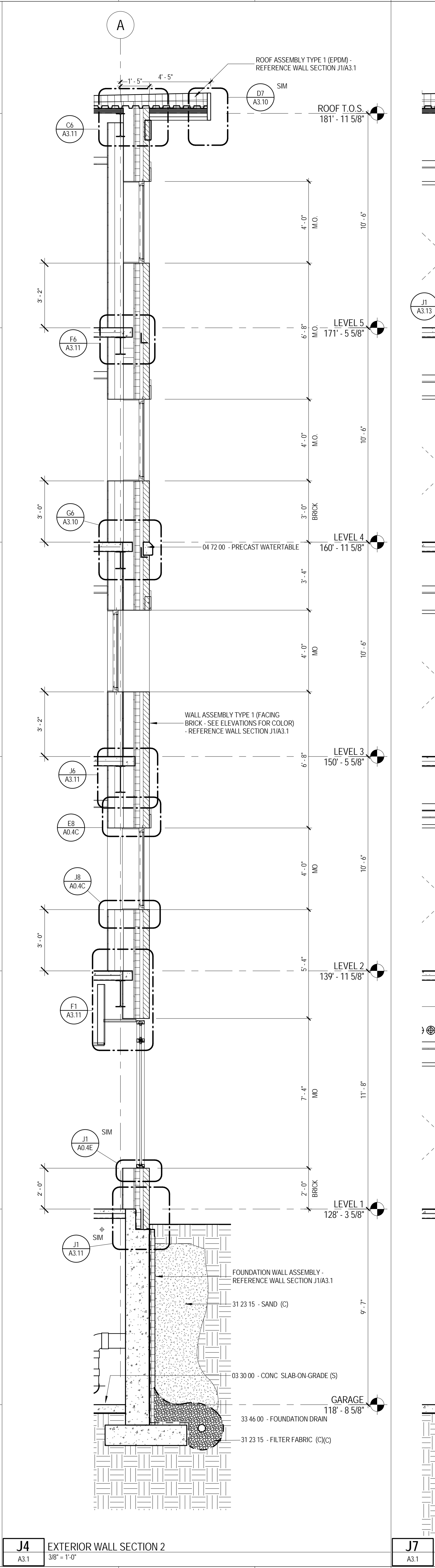
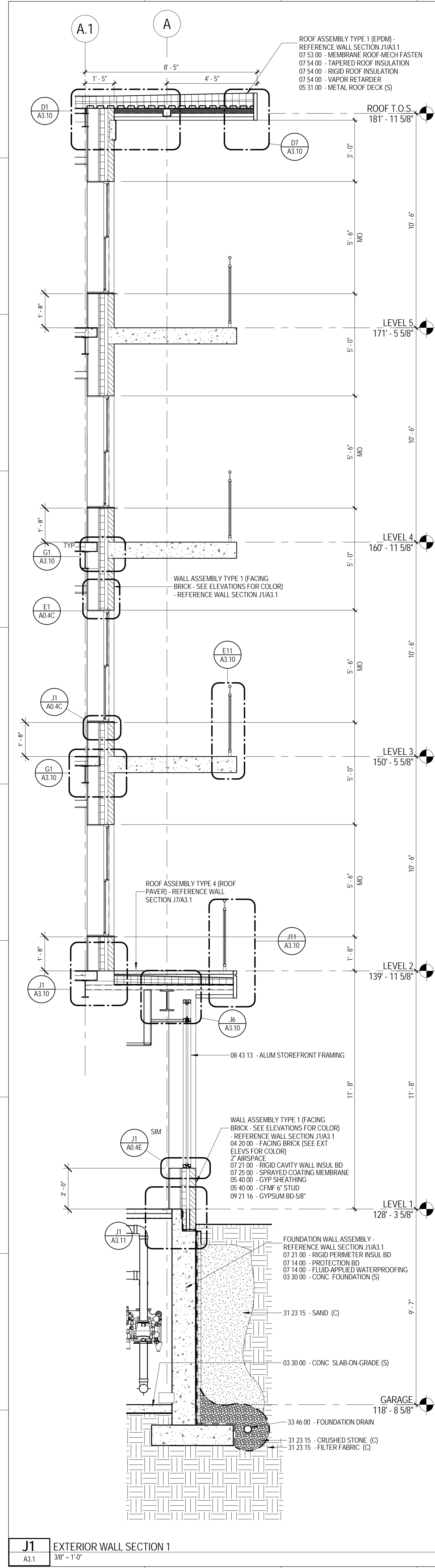
The Park Danforth

RENOVATIONS AND ADDITIONS

777 Stevens Ave
 Portland, ME 04103

NO.	DESCRIPTION	DATE

CONTENT:	
WALL SECTIONS	
DRAWN BY:	KM
PROJECT NO:	13-059-00
DATE:	06/05/2015
REVISED:	10/16/2015
SCALE:	3/8" = 1'-0"
A3.1	
Project Phase	
CONFORMANCE SET	
<small>COPYRIGHT © 2015 BY LAVALLEE BRENSINGER PROFESSIONAL ASSOCIATION. ALL RIGHTS RESERVED. NO REPRODUCTION WITHOUT PERMISSION.</small>	



T:\012076\2-6000\PM C:\Projects\13-059-00_The Park Danforth_R15_10-08-2015_Scullin.mxd