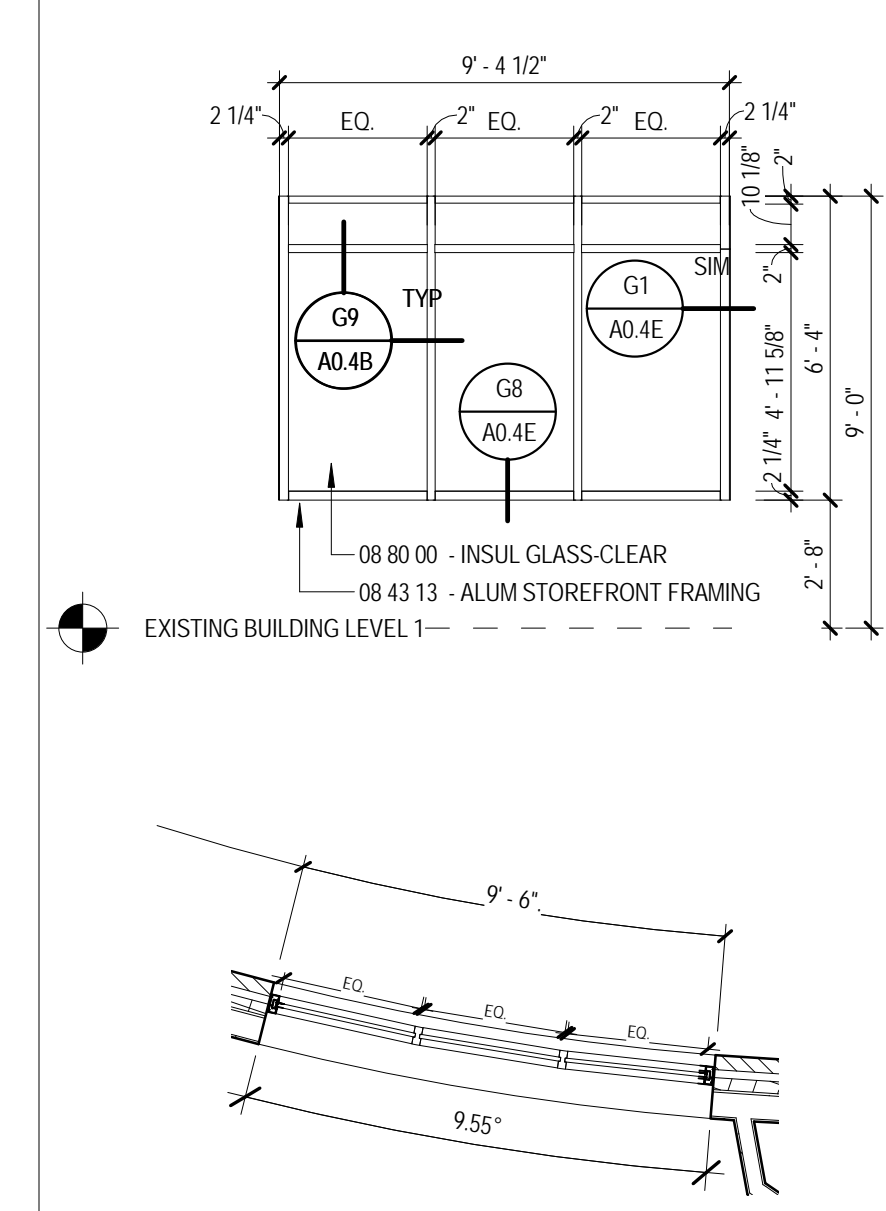
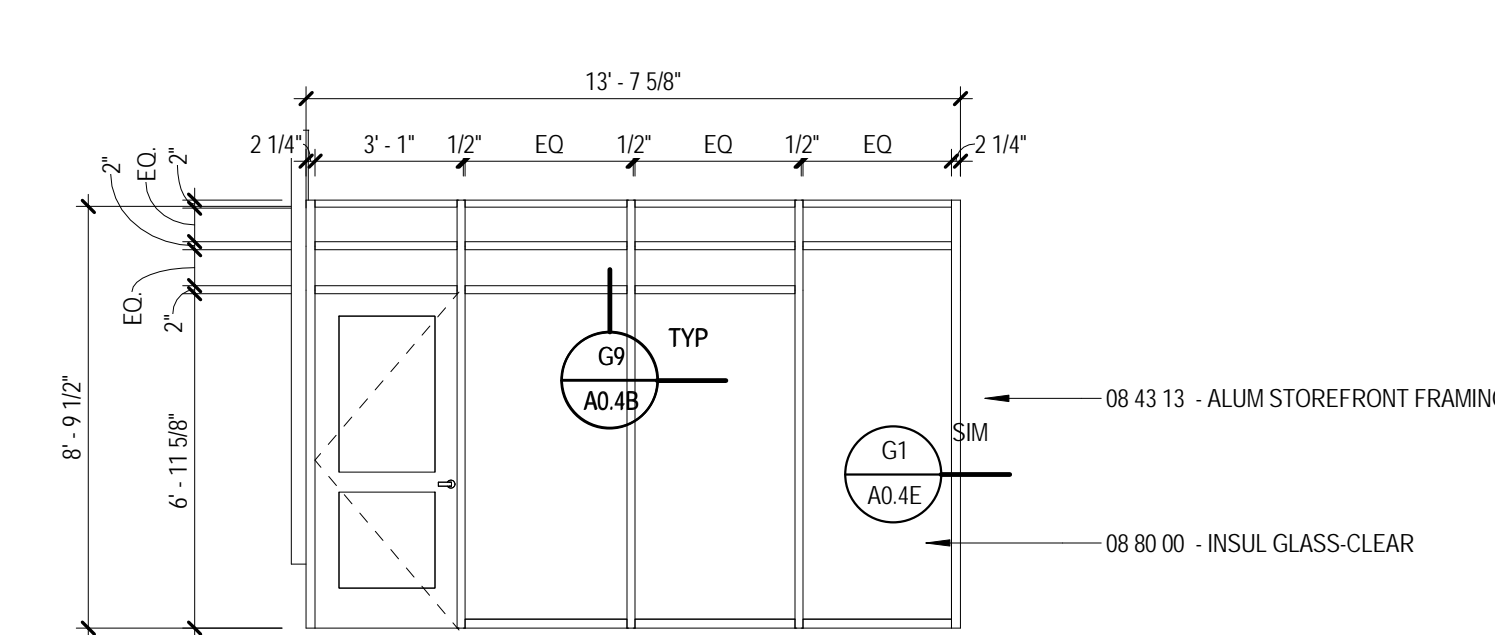


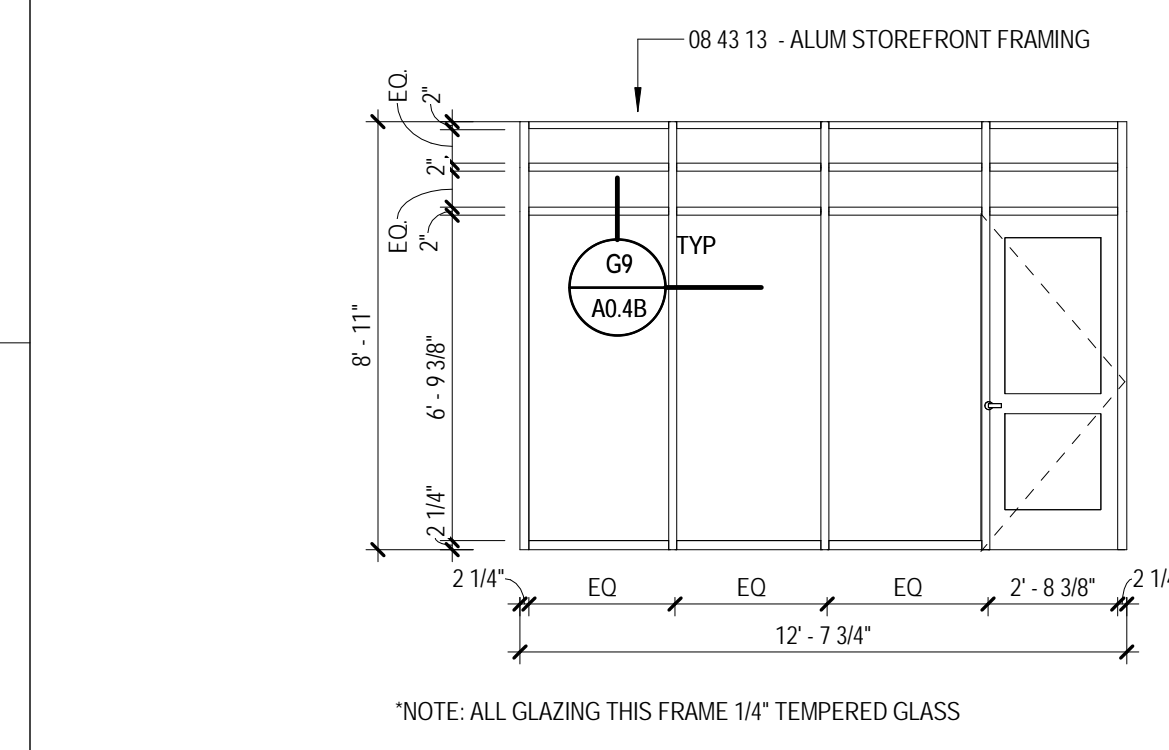
SF15 EXTERIOR STOREFRONT
A0.4B 1/4" = 1'-0"



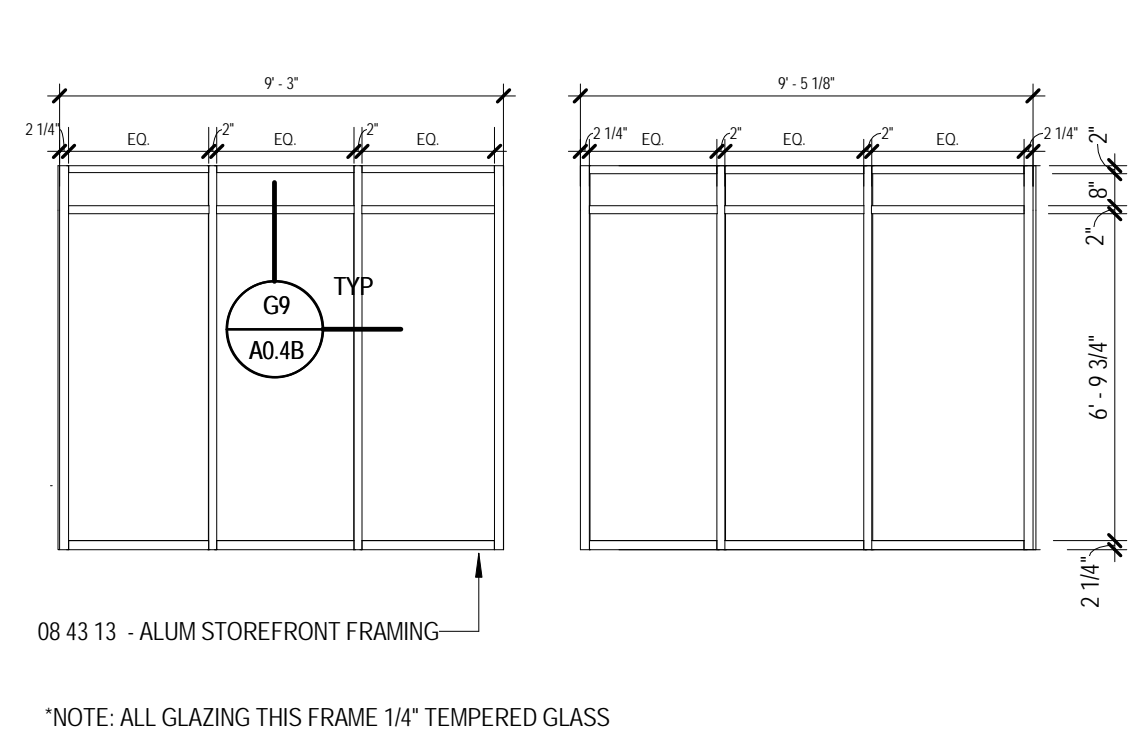
SF16 EXTERIOR STOREFRONT
A0.4B 1/4" = 1'-0"



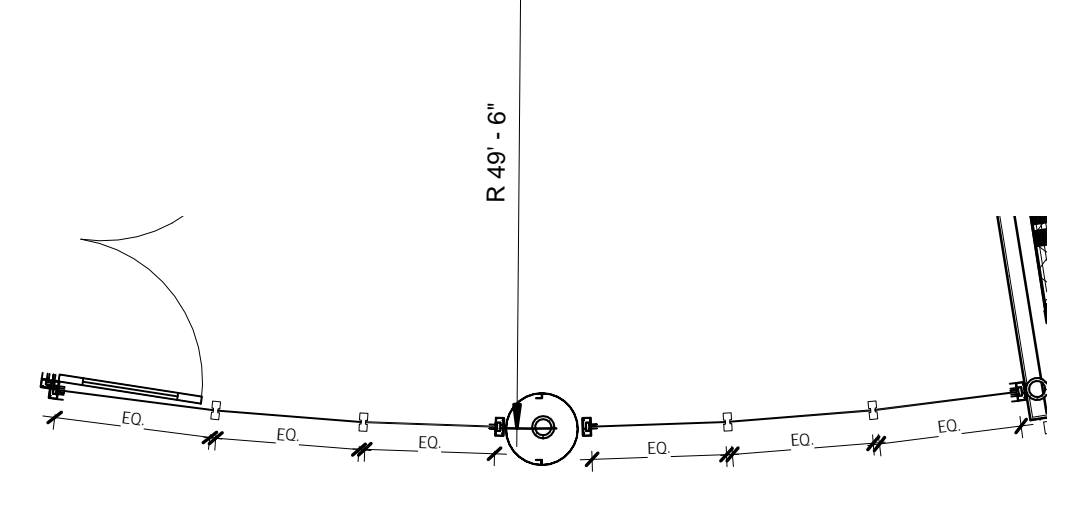
SF17 EXTERIOR STOREFRONT
A0.4B 1/4" = 1'-0"



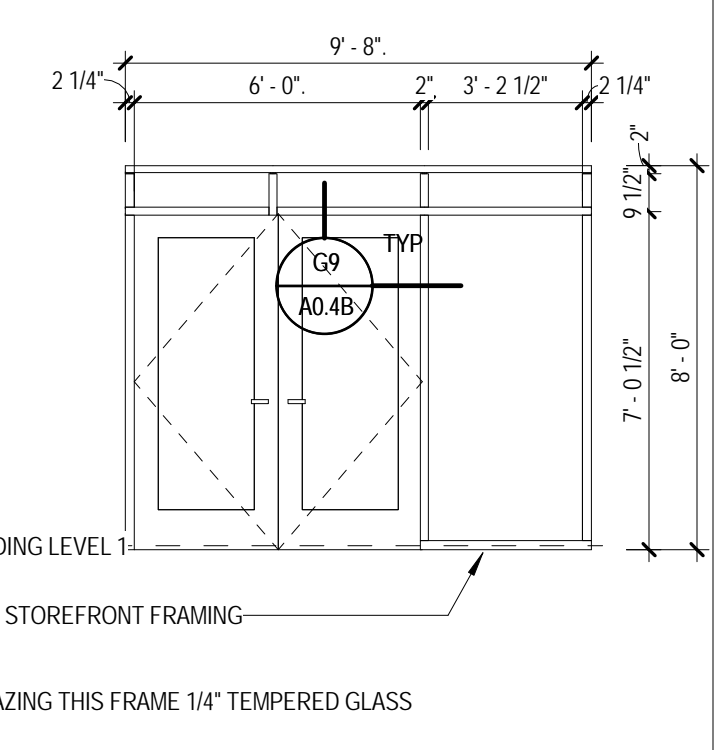
SF18 INTERIOR STOREFRONT
A0.4B 1/4" = 1'-0"



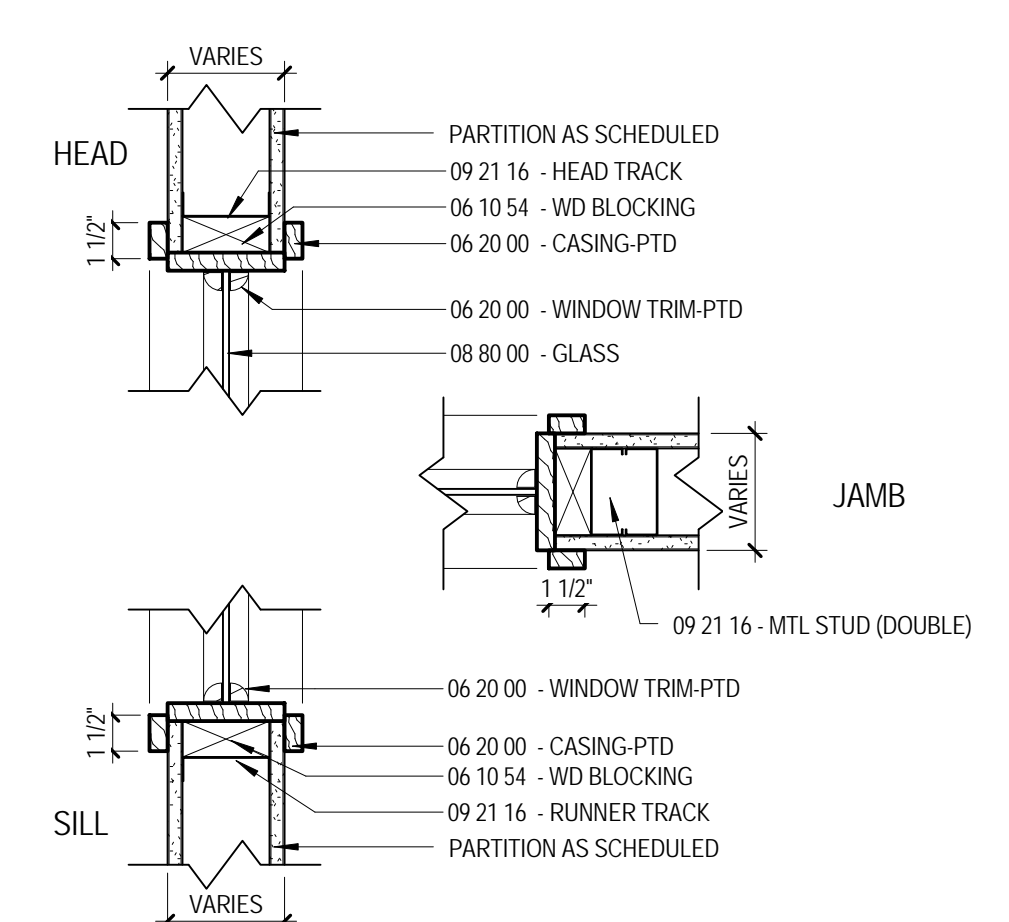
SF19 INTERIOR STOREFRONT
A0.4B 1/4" = 1'-0"



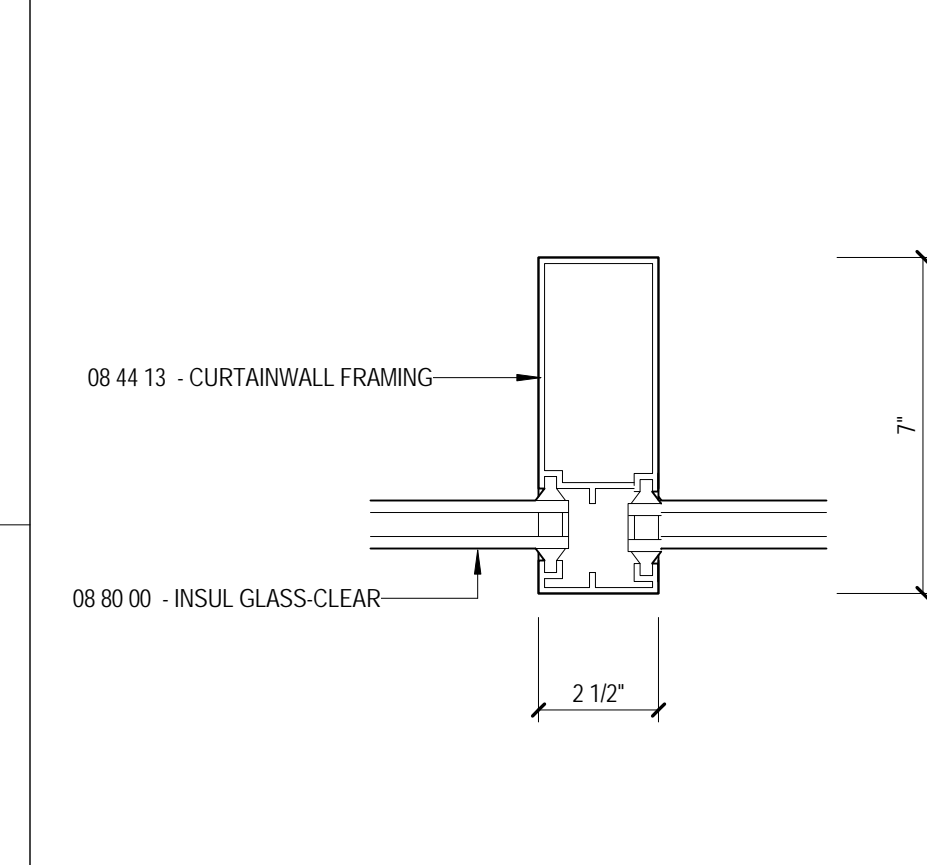
SF20 INTERIOR STOREFRONT
A0.4B 1/4" = 1'-0"



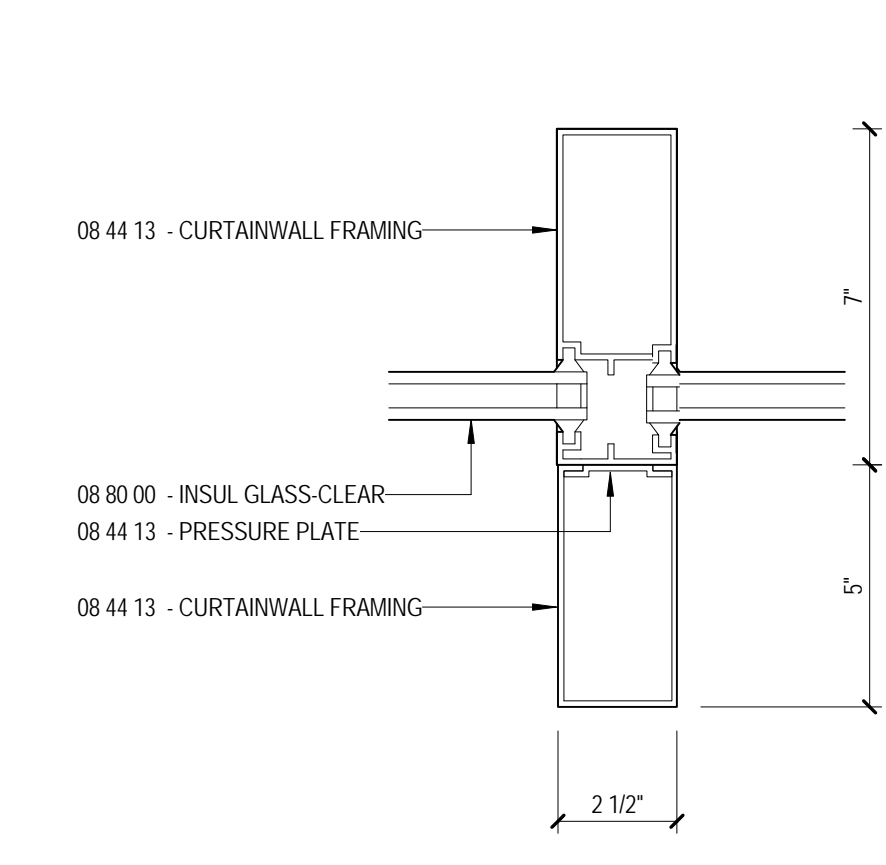
E12 WINDOW WOOD INTERIOR HEAD-JAMB-SILL @ METAL STUD
A0.4B 1 1/2" = 1'-0"



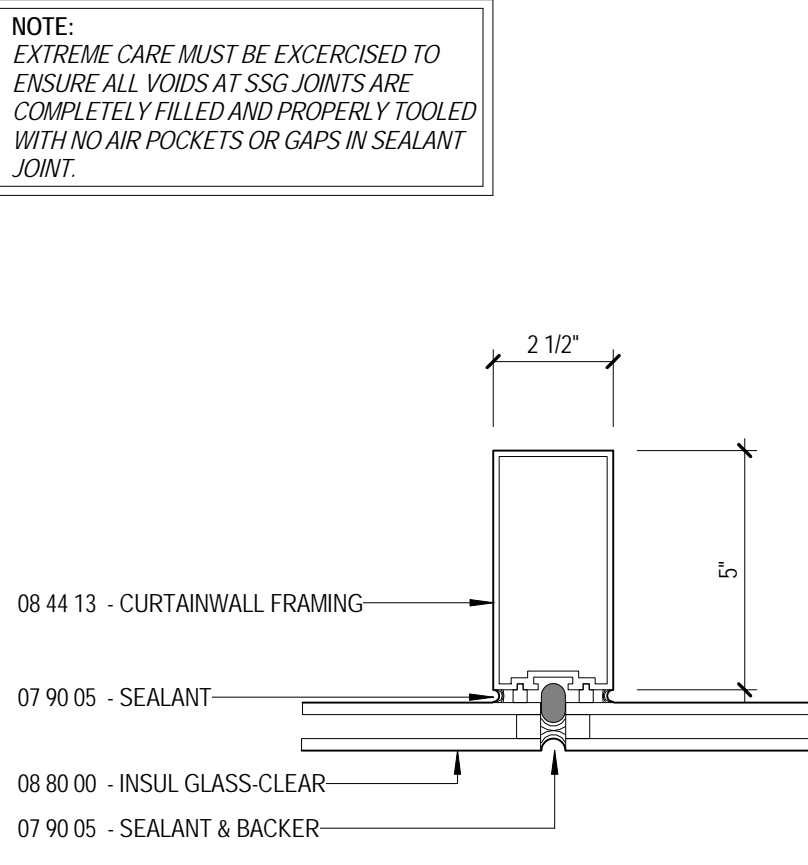
E13 WINDOW WOOD INTERIOR HEAD-JAMB-SILL @ METAL STUD
A0.4B 1 1/2" = 1'-0"



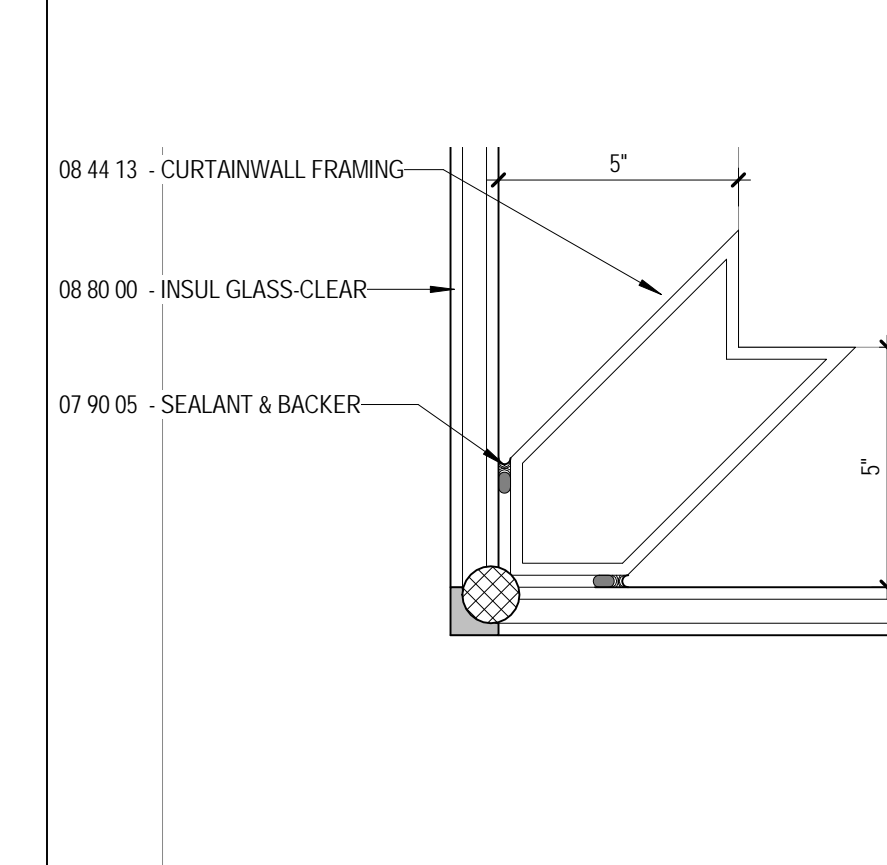
G1 CURTAIN WALL PROFILE TYPE 1
A0.4B 3" = 1'-0"



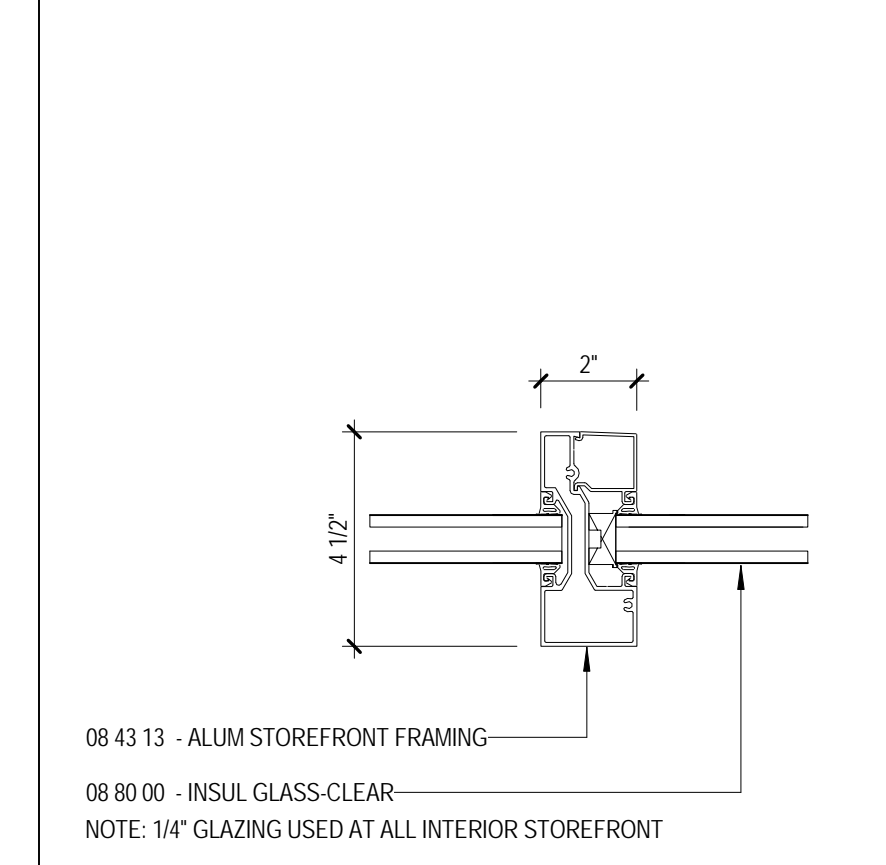
G3 CURTAIN WALL PROFILE TYPE 2
A0.4B 3" = 1'-0"



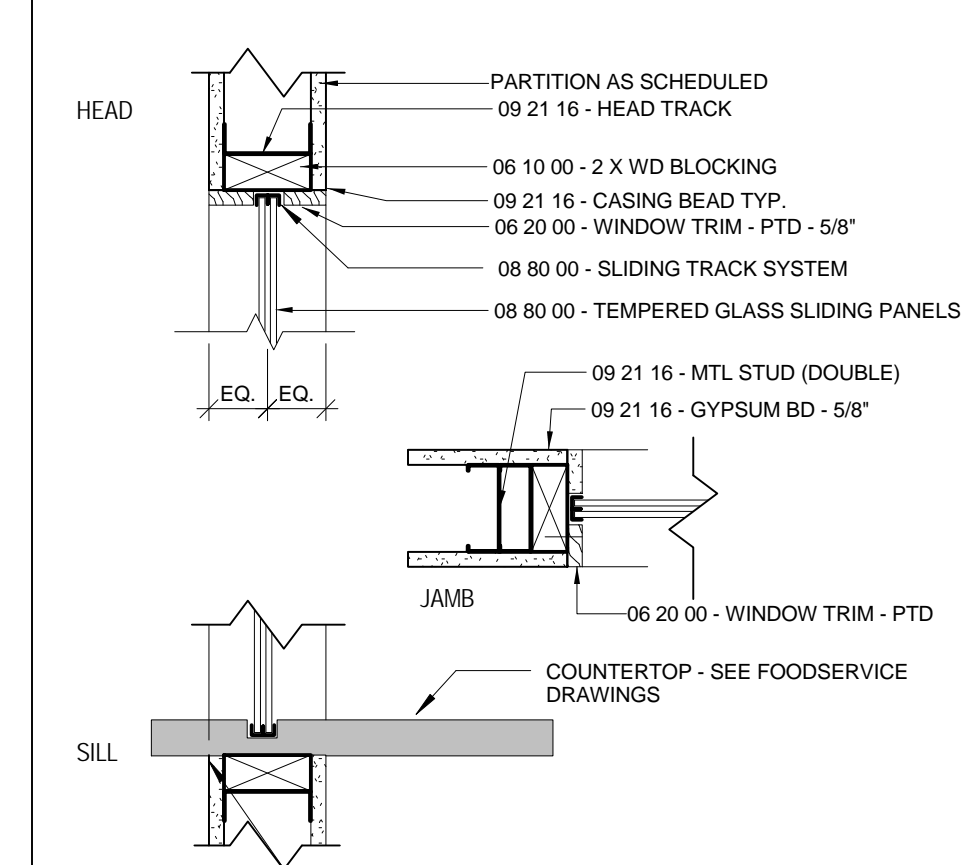
G5 CURTAIN WALL PROFILE TYPE 3
A0.4B 3" = 1'-0"



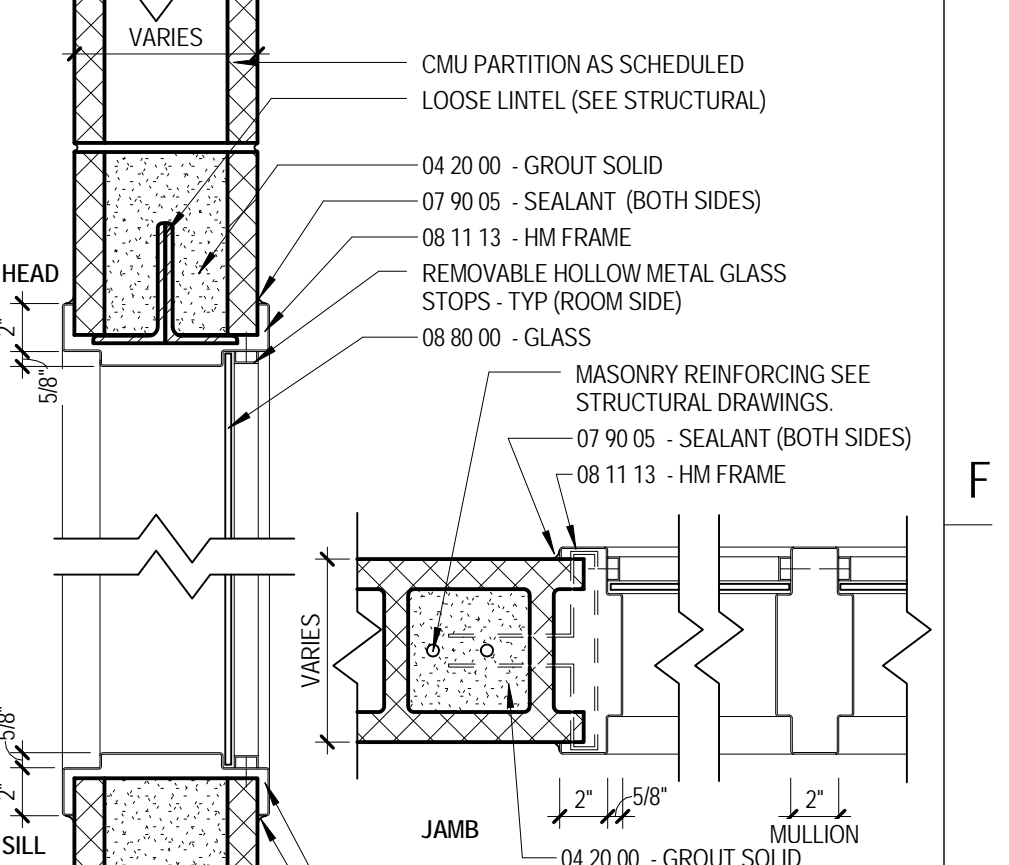
G7 CURTAIN WALL CORNER GLAZING
A0.4B 3" = 1'-0"



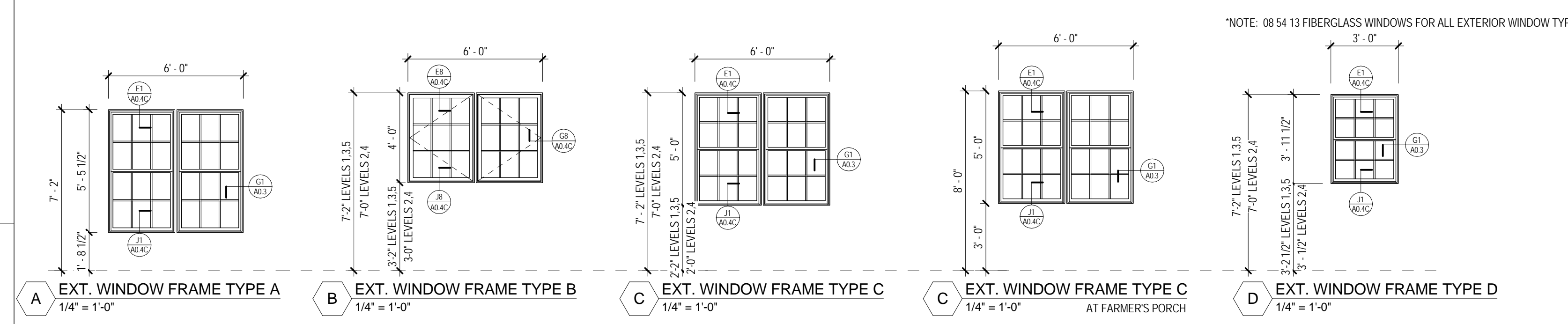
G9 STOREFRONT PROFILE TYPE 1
A0.4B 3" = 1'-0"



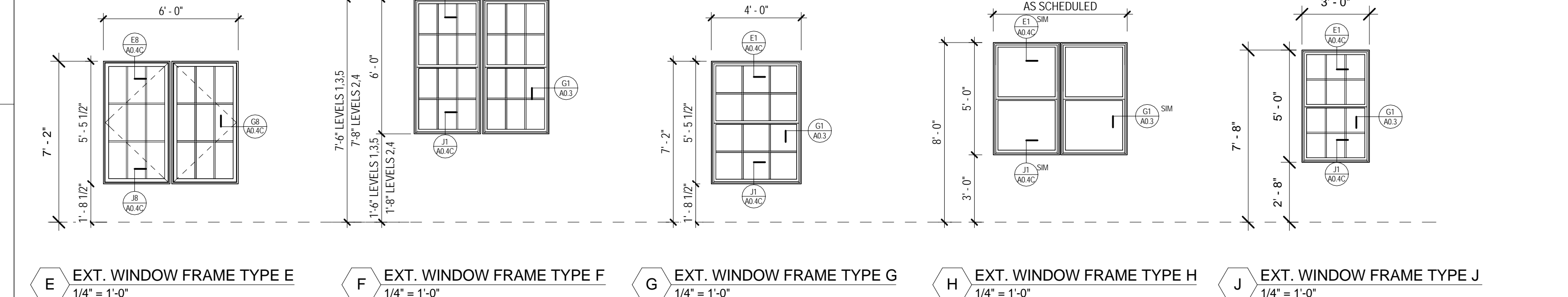
G11 HEAD, SILL, & JAMB @ WOOD INTERIOR WINDOW
A0.4B 1 1/2" = 1'-0"



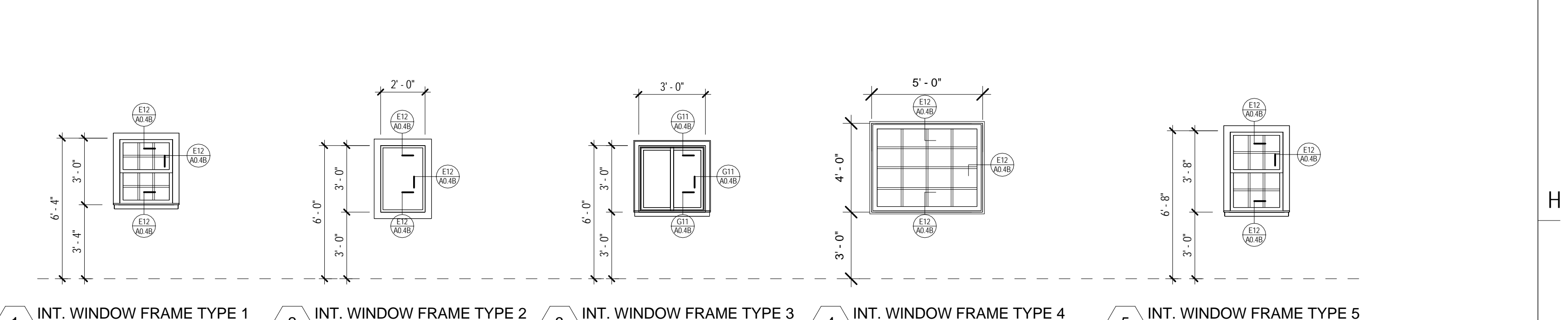
G13 HM FRAME HEAD, SILL, & JAMB DETAILS at INTERIOR LITE (VERTICAL DIVIDER) (CMU)
A0.4B 1 1/2" = 1'-0"



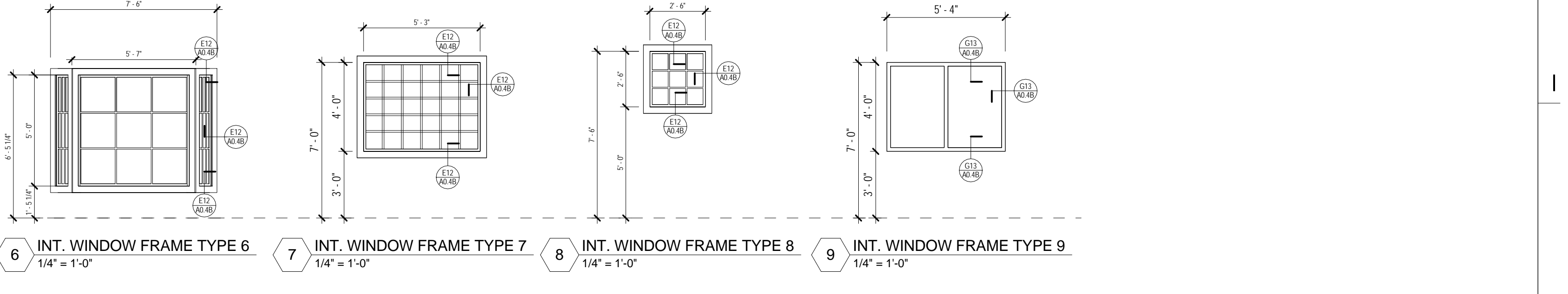
A EXT. WINDOW FRAME TYPE A 1/4" = 1'-0"
B EXT. WINDOW FRAME TYPE B 1/4" = 1'-0"
C EXT. WINDOW FRAME TYPE C 1/4" = 1'-0"
D EXT. WINDOW FRAME TYPE D 1/4" = 1'-0"



E EXT. WINDOW FRAME TYPE E 1/4" = 1'-0"
F EXT. WINDOW FRAME TYPE F 1/4" = 1'-0"
G EXT. WINDOW FRAME TYPE G 1/4" = 1'-0"
H EXT. WINDOW FRAME TYPE H 1/4" = 1'-0"
J EXT. WINDOW FRAME TYPE J 1/4" = 1'-0"



1 INT. WINDOW FRAME TYPE 1 1/4" = 1'-0"
2 INT. WINDOW FRAME TYPE 2 1/4" = 1'-0"
3 INT. WINDOW FRAME TYPE 3 1/4" = 1'-0"
4 INT. WINDOW FRAME TYPE 4 1/4" = 1'-0"
5 INT. WINDOW FRAME TYPE 5 1/4" = 1'-0"



6 INT. WINDOW FRAME TYPE 6 1/4" = 1'-0"
7 INT. WINDOW FRAME TYPE 7 1/4" = 1'-0"
8 INT. WINDOW FRAME TYPE 8 1/4" = 1'-0"
9 INT. WINDOW FRAME TYPE 9 1/4" = 1'-0"

DOOR - WINDOW TYPES INTERIORS
1/4" = 1'-0"

The Park Danforth

RENOVATIONS AND ADDITIONS

777 Stevens Ave
Portland, ME 04103

NO.	DESCRIPTION	DATE
2	Addendum #2	06/25/15

CONTENT: WINDOW TYPES	
DRAWN BY:	KM
PROJECT NO.:	13-059-00
DATE:	06/05/2015
REVISED:	10/16/2015
SCALE:	As Indicated
A0.4B	
Project Phase CONFIRMANCE SET	
COPYRIGHT © 2015 BY LAVALLEE BRENSINGER PROFESSIONAL ASSOCIATION. ALL RIGHTS RESERVED. NO REPRODUCTION WITHOUT PERMISSION.	

10/16/2015 2:28:41 PM C:\Projects\13-059-00_The Park Danforth_R15_10-08-2015_ScullInnovator.d