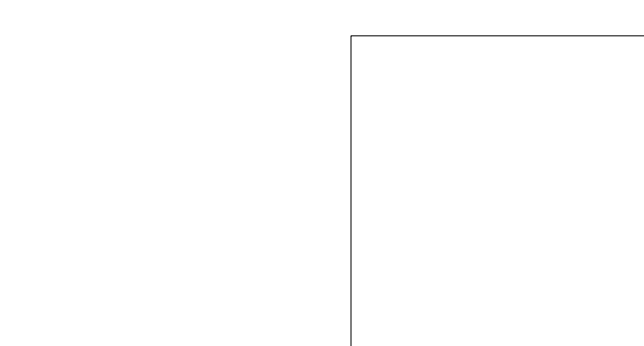


A
B
C
D
E
F
G
H
I
J



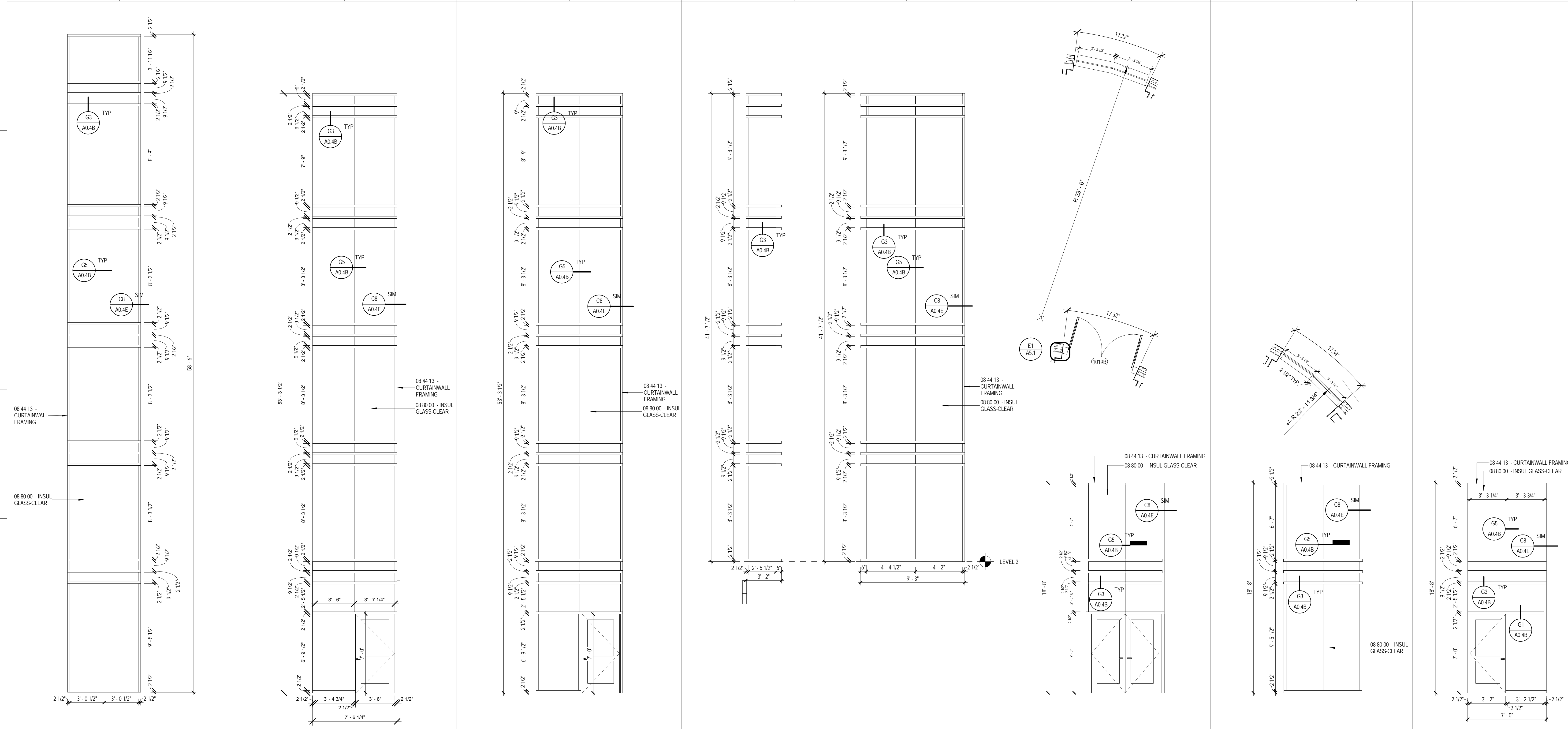
The Park Danforth

RENOVATIONS AND ADDITIONS

777 Stevens Ave
 Portland, ME 04103

NO.	DESCRIPTION	DATE

CONTENT: WINDOW TYPES	
DRAWN BY:	KM
PROJECT NO:	13-059-00
DATE:	06/05/2015
REVISED:	10/16/2015
SCALE:	1/4" = 1'-0"
A0.4A	
Project Phase	
CONFIRMANCE SET	
COPYRIGHT © 2015 BY LAVALLEE BRENSINGER PROFESSIONAL ASSOCIATION. ALL RIGHTS RESERVED. NO REPRODUCTION WITHOUT PERMISSION.	



CW1 CURTAIN WALL 1
 A0.4A 1/4" = 1'-0"

CW2 CURTAIN WALL 2
 A0.4A 1/4" = 1'-0"

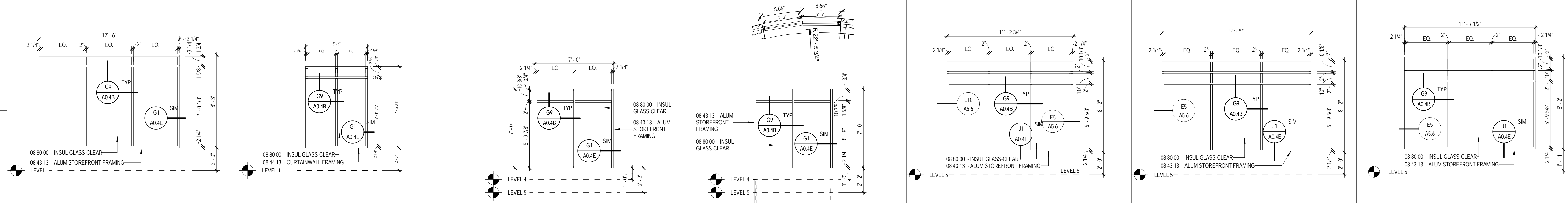
CW3 CURTAIN WALL 3
 A0.4A 1/4" = 1'-0"

CW4 CURTAIN WALL 4
 A0.4A 1/4" = 1'-0"

CW5 CURTAIN WALL 5
 A0.4A 1/4" = 1'-0"

CW6 CURTAIN WALL 6
 A0.4A 1/4" = 1'-0"

CW7 CURTAIN WALL 7
 A0.4A 1/4" = 1'-0"



SF1 EXTERIOR STOREFRONT
 A0.4A 1/4" = 1'-0"

SF2 EXTERIOR STOREFRONT
 A0.4A 1/4" = 1'-0"

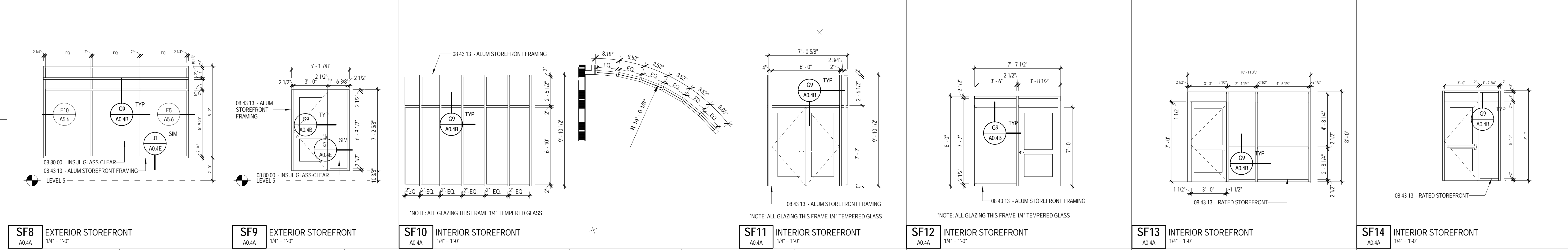
SF3 EXTERIOR STOREFRONT
 A0.4A 1/4" = 1'-0"

SF4 EXTERIOR STOREFRONT
 A0.4A 1/4" = 1'-0"

SF5 EXTERIOR STOREFRONT
 A0.4A 1/4" = 1'-0"

SF6 EXTERIOR STOREFRONT
 A0.4A 1/4" = 1'-0"

SF7 EXTERIOR STOREFRONT
 A0.4A 1/4" = 1'-0"



SF8 EXTERIOR STOREFRONT
 A0.4A 1/4" = 1'-0"

SF9 EXTERIOR STOREFRONT
 A0.4A 1/4" = 1'-0"

SF10 INTERIOR STOREFRONT
 A0.4A 1/4" = 1'-0"

SF11 INTERIOR STOREFRONT
 A0.4A 1/4" = 1'-0"

SF12 INTERIOR STOREFRONT
 A0.4A 1/4" = 1'-0"

SF13 INTERIOR STOREFRONT
 A0.4A 1/4" = 1'-0"

SF14 INTERIOR STOREFRONT
 A0.4A 1/4" = 1'-0"

10/16/2015 2:28:23 PM C:\Projects\13-059-00_The Park Danforth_R15_10-08-2015_ScullInnovat