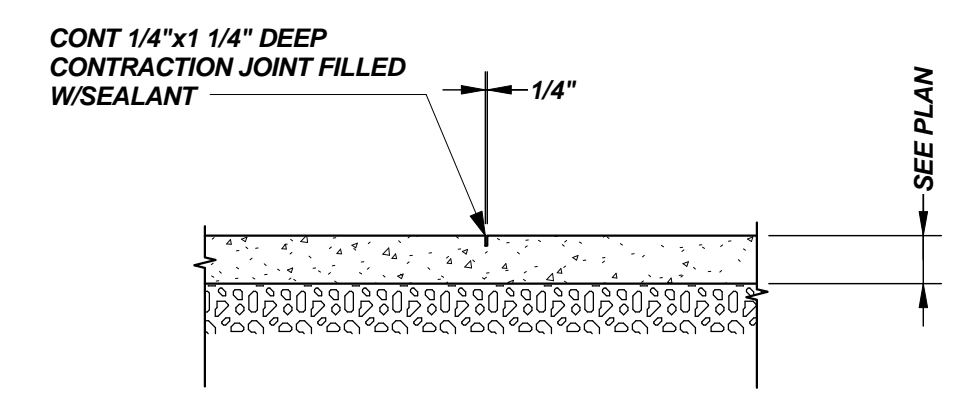
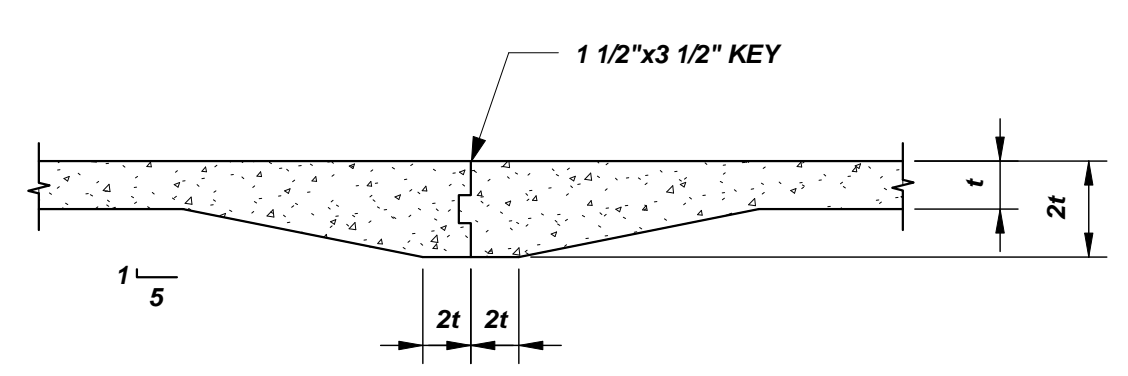


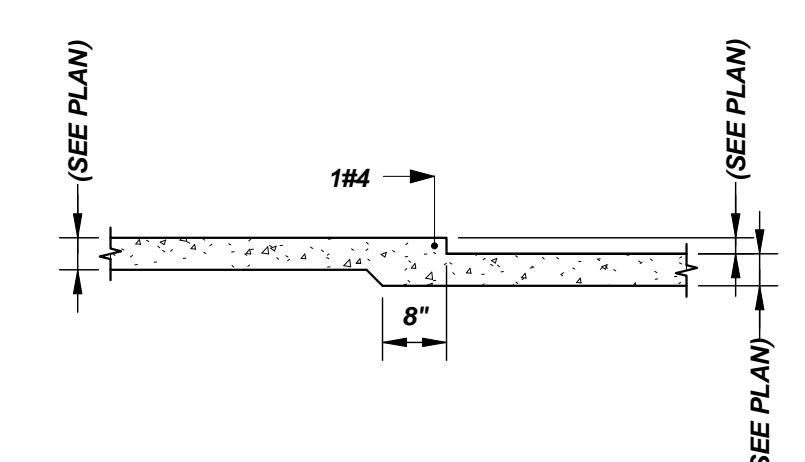
**TYP INTERIOR FOOTING DETAIL U.N.O.**  
N.T.S.



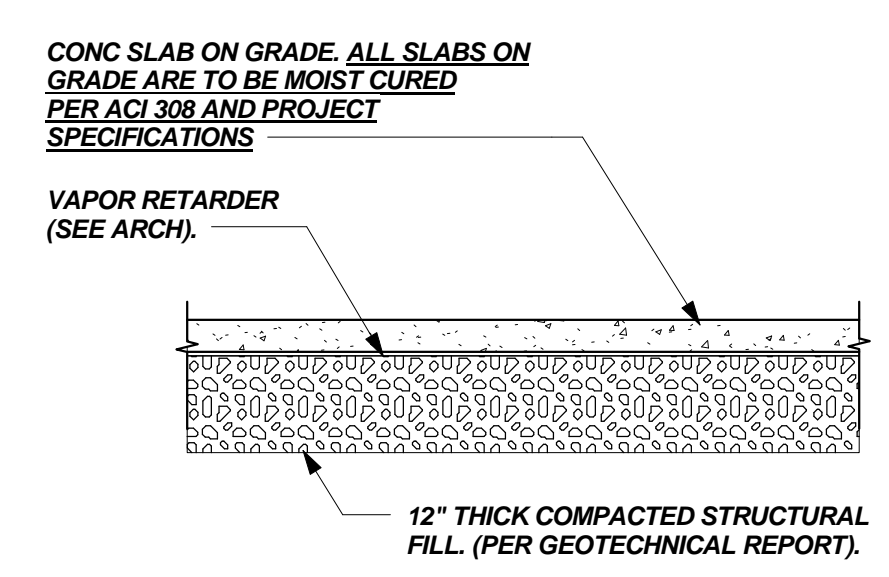
**TYP SLAB ON GRADE CONTRACTION JOINT DETAIL**  
N.T.S.



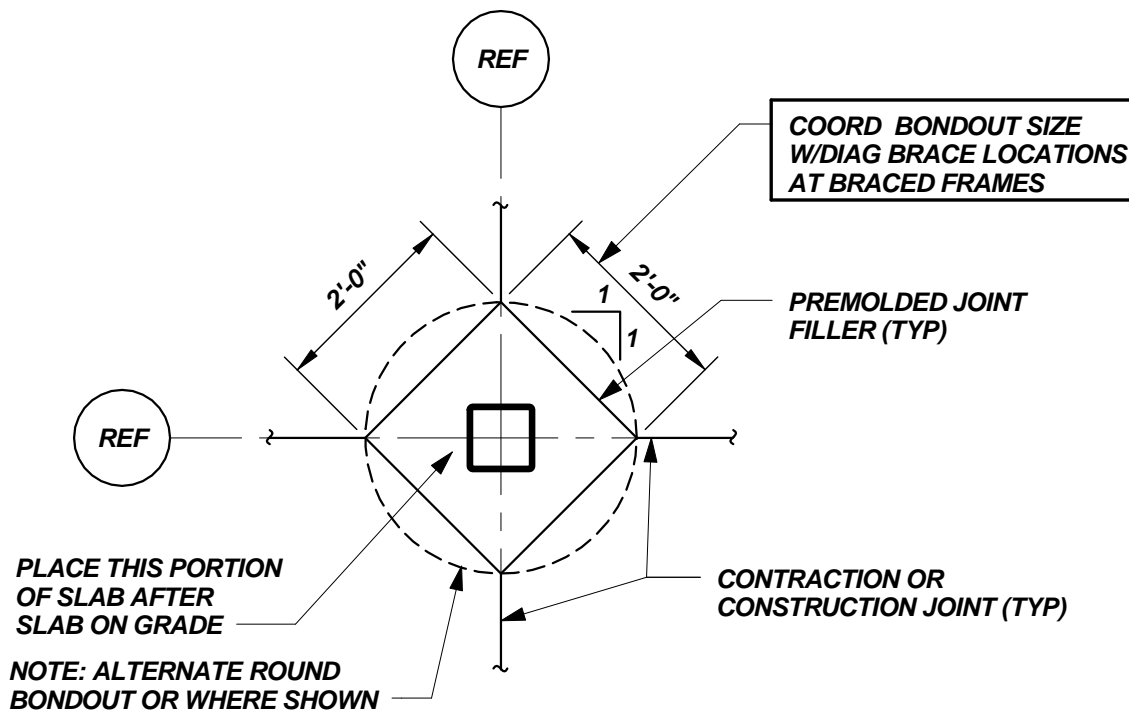
**TYP SLAB ON GRADE CONST JOINT DETAIL**  
N.T.S.



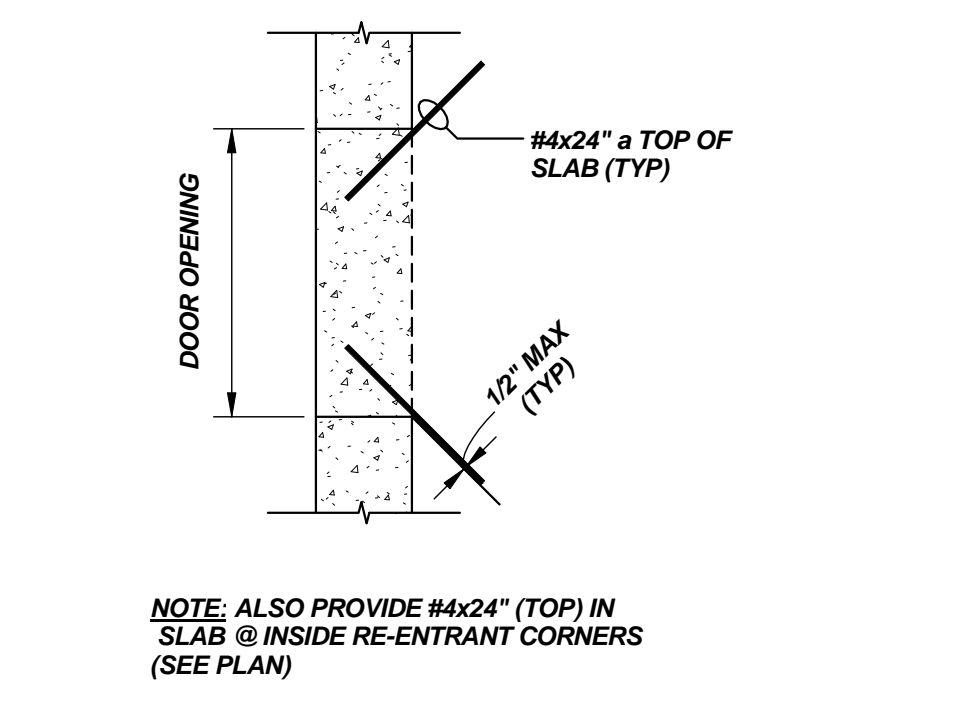
**TYP SLAB ON GRADE DEPRESSION DETAIL**  
N.T.S.



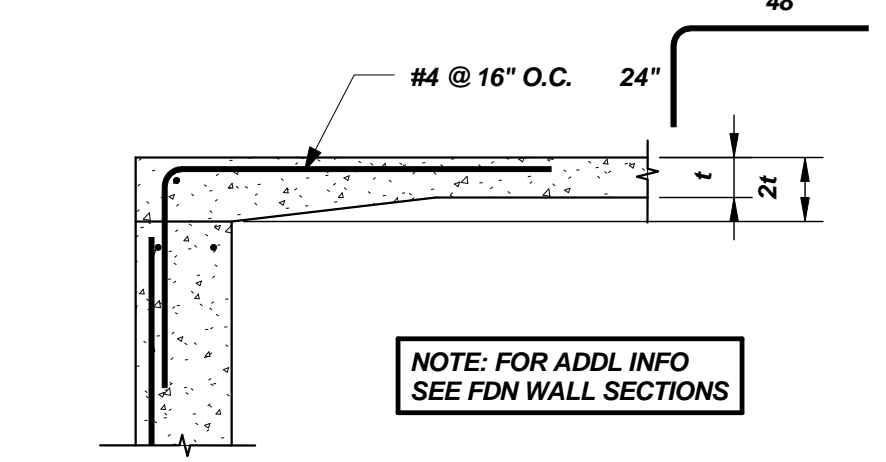
**TYP SLAB DETAIL**  
N.T.S.



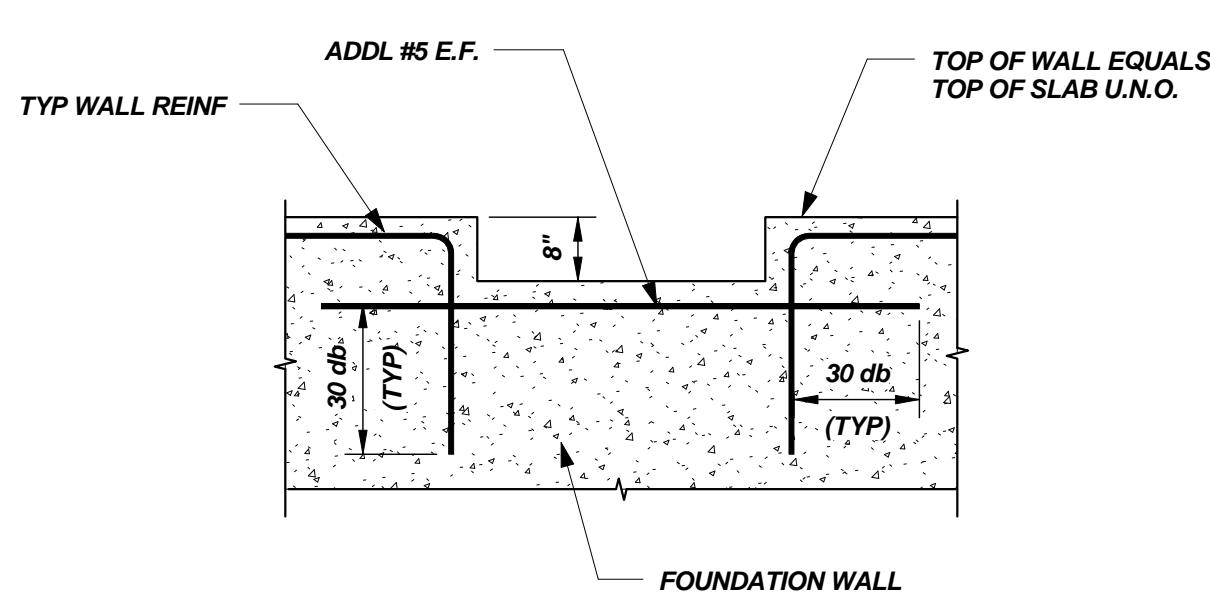
**TYP INT COLUMN ISOLATION JOINT DETAIL**  
N.T.S.



**TYP SLAB CORNER DETAIL @ DOOR**  
N.T.S.

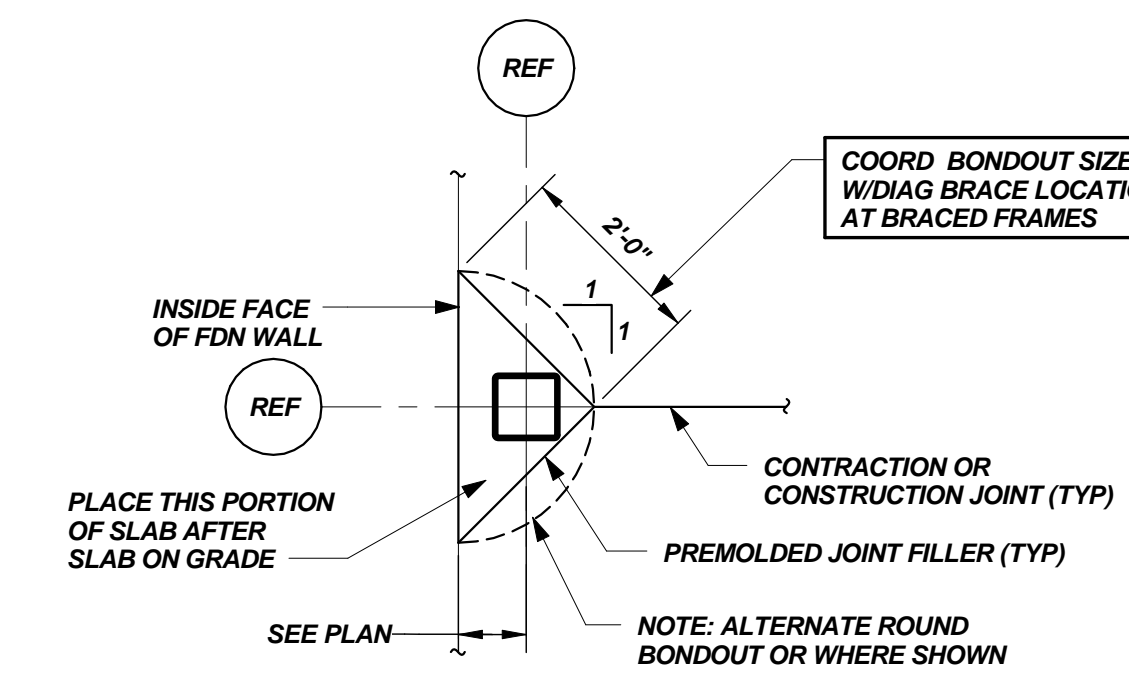


**TYPICAL SLAB DETAIL AT DOOR**  
N.T.S.

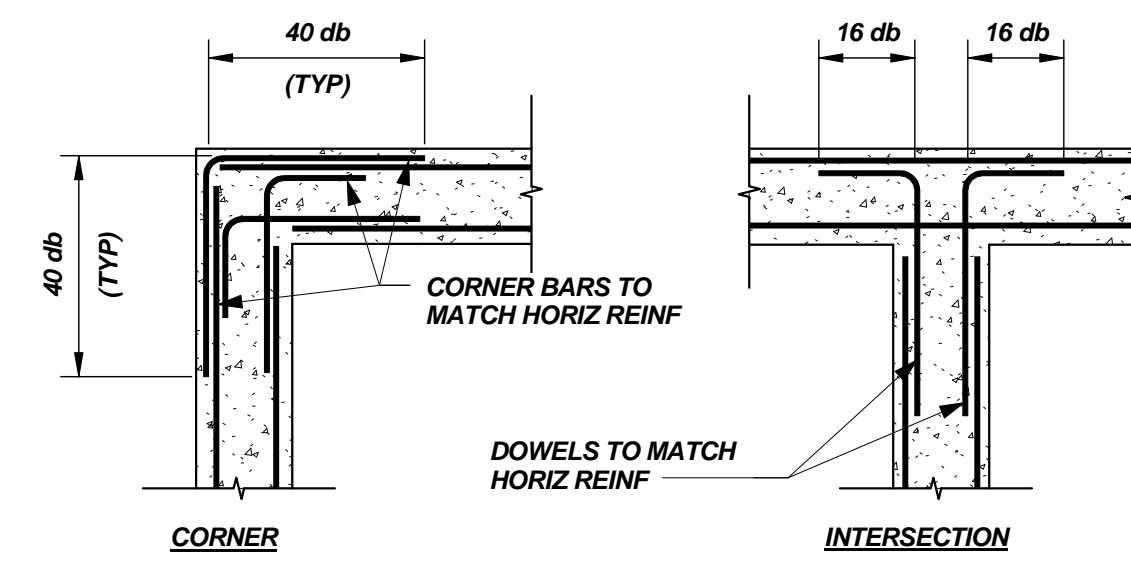


**TYP WALL DEPRESSION DETAIL @ DOOR**  
N.T.S.

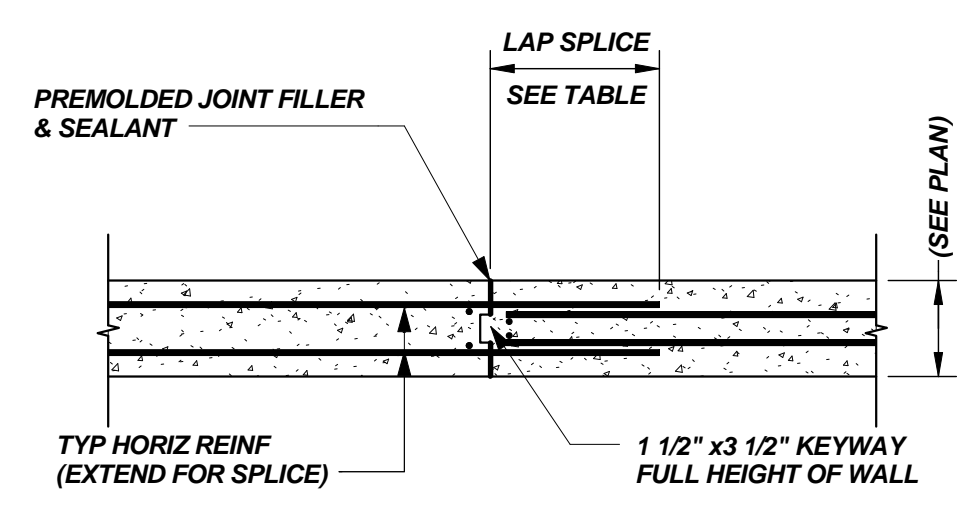
BAR SIZE	LAP LENGTH		
	3,000 PSI	3,500 PSI	4,000+ PSI
#3	30"	28"	24"
#4	36"	34"	32"
#5	48"	45"	42"
#6	56"	52"	48"
#7	81"	78"	72"
#8	93"	88"	80"



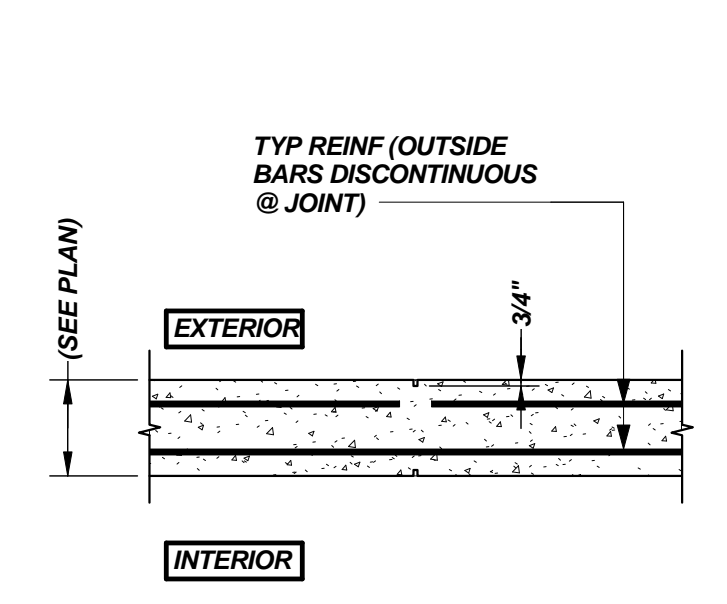
**TYP EXT COLUMN ISOLATION JOINT DETAIL**  
N.T.S.



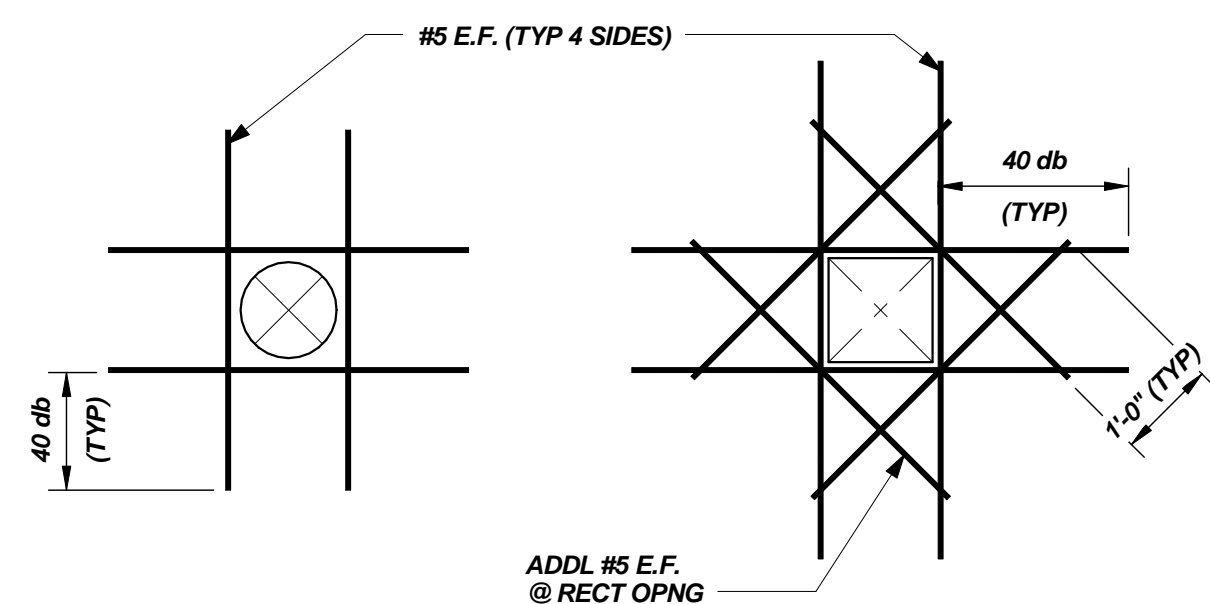
**TYP WALL REINF DETAILS**  
N.T.S.



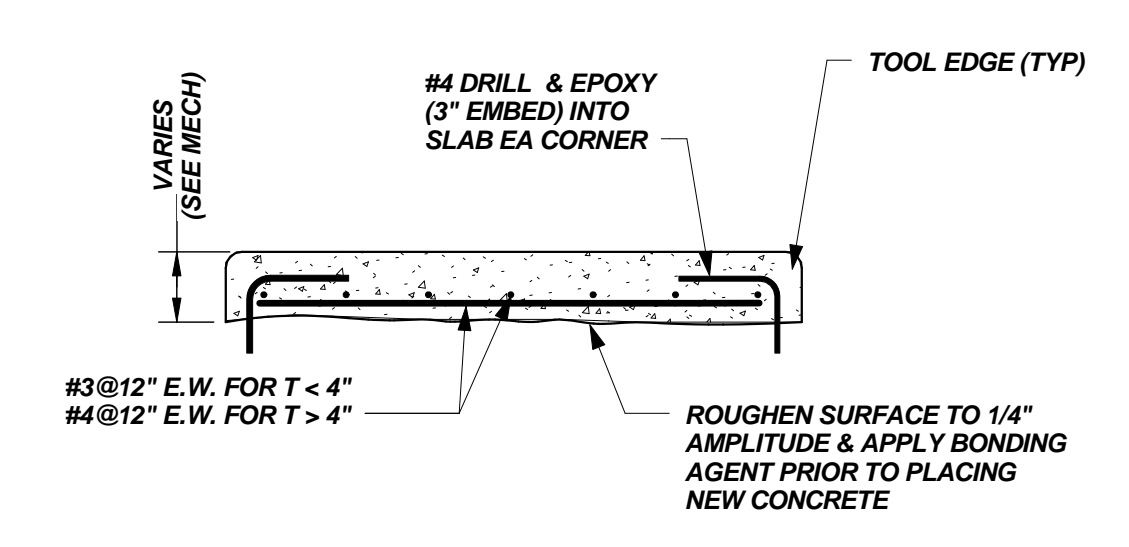
**TYP CONSTRUCTION JOINT IN WALL**  
N.T.S.



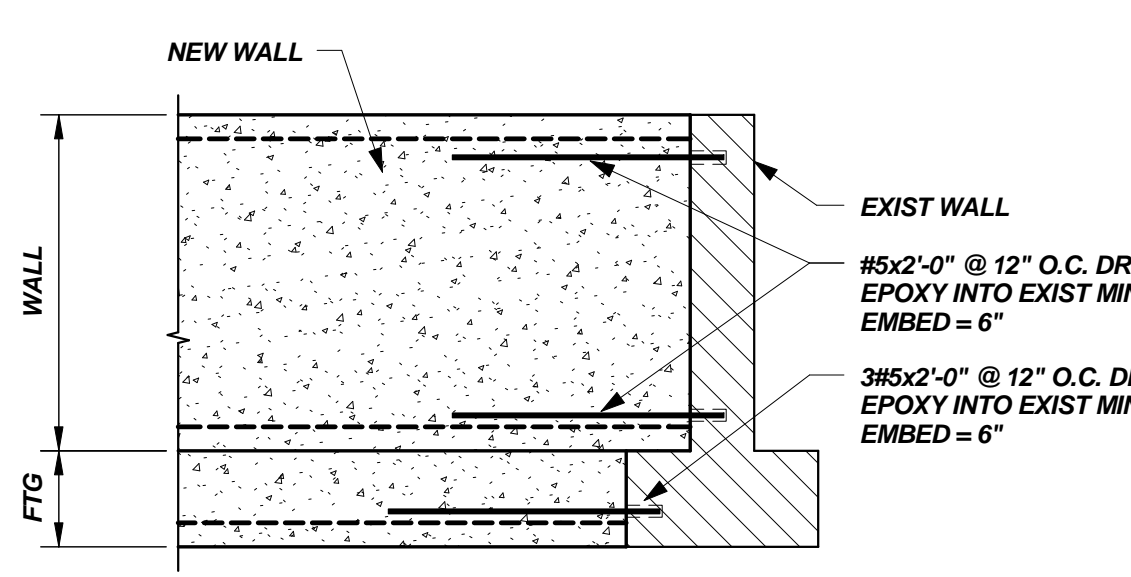
**TYP CONTROL JOINT IN WALL**  
N.T.S.



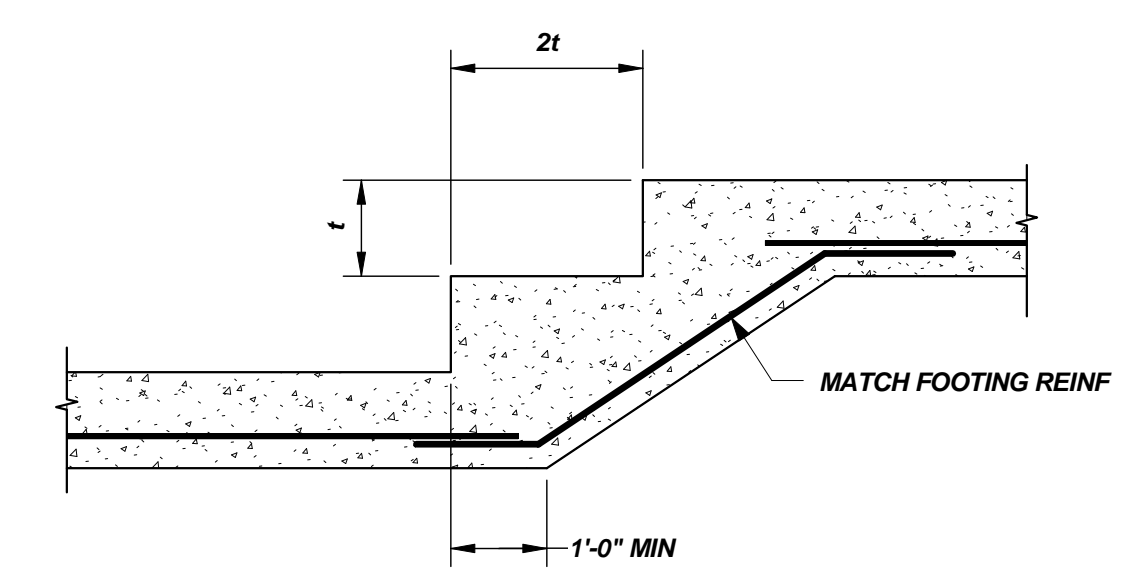
**TYP OPENING IN WALL OR SLAB DETAIL**  
N.T.S.



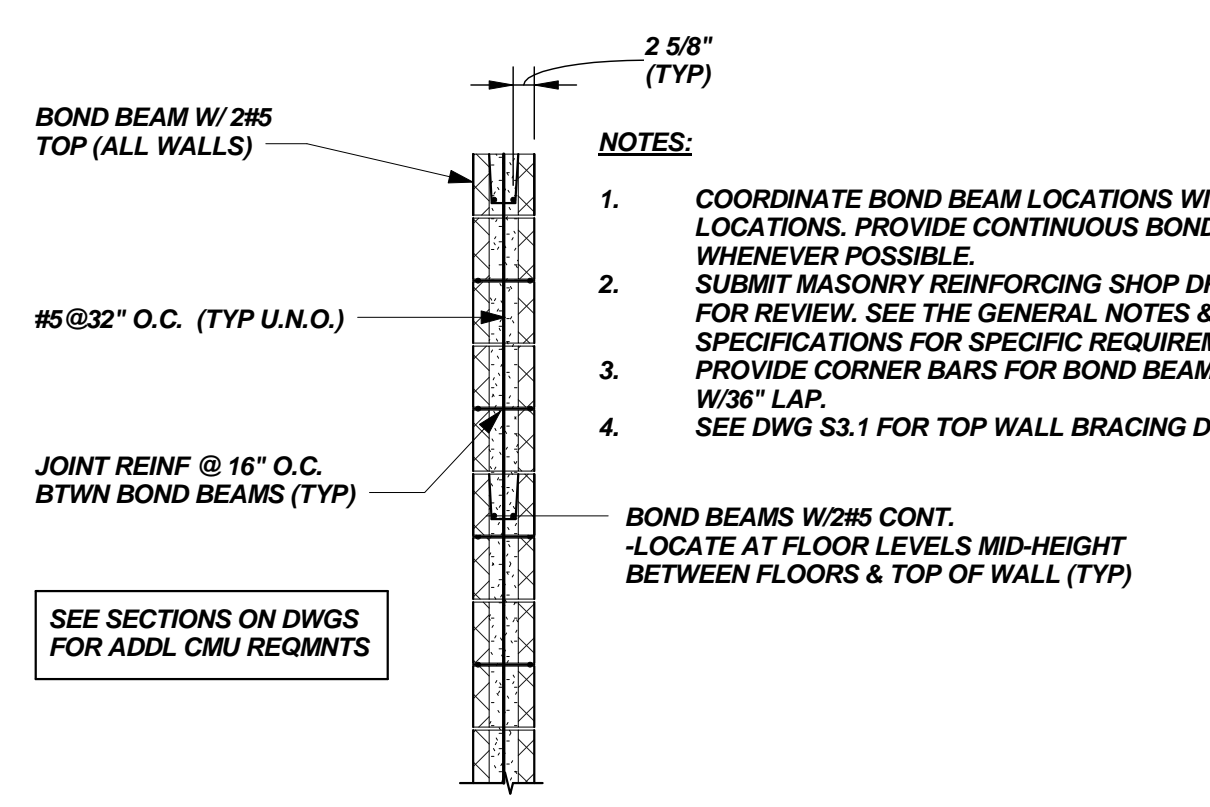
**TYP EQUIPMENT HOUSEKEEPING PAD DETAIL**  
N.T.S.



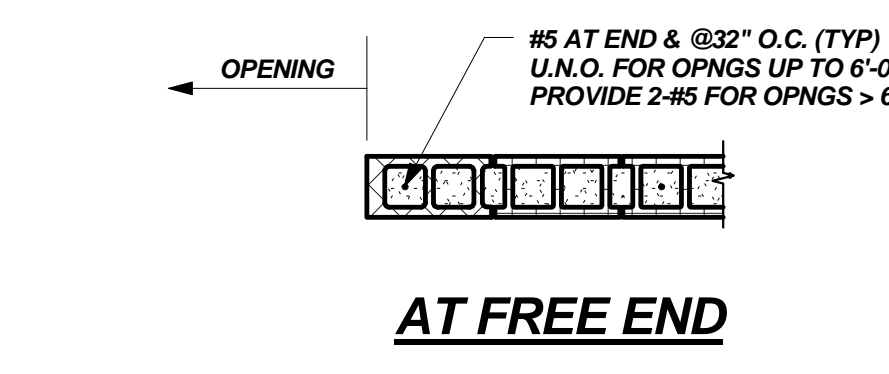
**TYP NEW FDN TO EXIST FDN WALL DETAIL**  
N.T.S.



**TYP STEP FOOTING DETAIL**  
N.T.S.



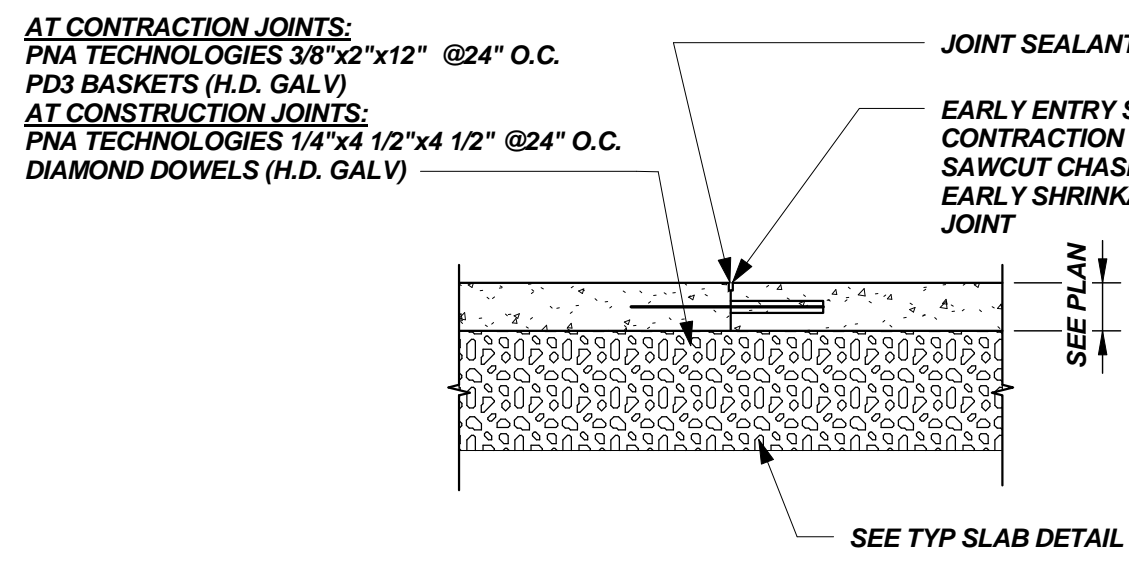
**TYP CMU WALL SECTION (U.N.O.)**  
N.T.S.



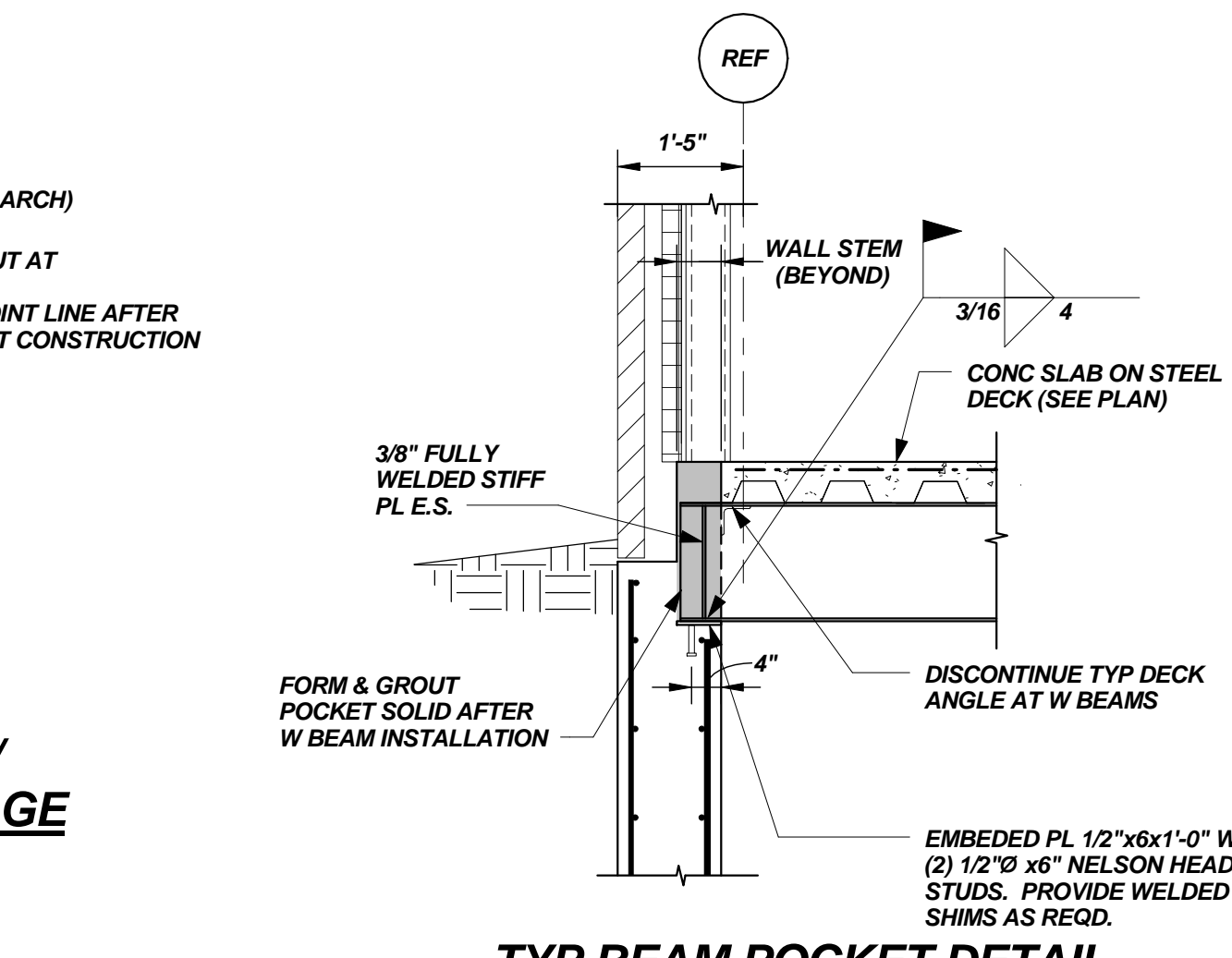
**TYP PLAN DETAILS AT CMU WALLS U.N.O.**  
N.T.S.

CLEAR SPAN	WIDTH	DEPTH	REINF
< 6'-0"	8"	8"	2#5 CONT
6'-0" - 12'-0"	8"	16"	2#5 CONT

- NOTES:**
- PROVIDE LADUR TIE HORIZ REINF @16" O.C. U.N.O.
  - ALL REINFORCED CELLS ARE TO BE FULLY GROUTED.
  - LAP BARS AT SPLICES MIN 48" BAR DIAMETERS
  - PROVIDE 2#5 MIN. ABOVE & BELOW ALL OPENINGS. EXTEND 24" MIN BEYOND EDGE OF OPENING EA SIDE.



**TYP SLAB ON GRADE CONTRACTION/CONSTRUCTION JOINT DETAIL AT GARAGE**  
N.T.S.



**TYP BEAM POCKET DETAIL**  
N.T.S.

Owner

The Park Danforth

77 Stevens Ave, Portland, ME 04103

NO.	DESCRIPTION	DATE

CONTENT:  
TYPICAL CONCRETE SECTIONS & DETAILS

DRAWN BY: A.P.P.

PROJECT NO: 3422

DATE: 05/27/15

REVISED:

SCALE: As indicated

**S2.1**

Project Phase  
Package 2 - Foundations and Structural Steel

COPYRIGHT © 2014 BY LAVALLEE|BRENSINGER PROFESSIONAL ASSOCIATION. ALL RIGHTS RESERVED. NO REPRODUCTION WITHOUT PERMISSION.

C:\Users\lbert\Documents\3422 THE PARK DANFORTH\STRUCT CENTRAL.rvt

5/27/2015 3:54:42 PM