

160 Veranda Street
 Portland, Maine 04103
 T: 207.221.2240
 F: 207.221.2246
 Web: www.allied-eng.com



Graphic Scale: 1" = 10' 0" 1"

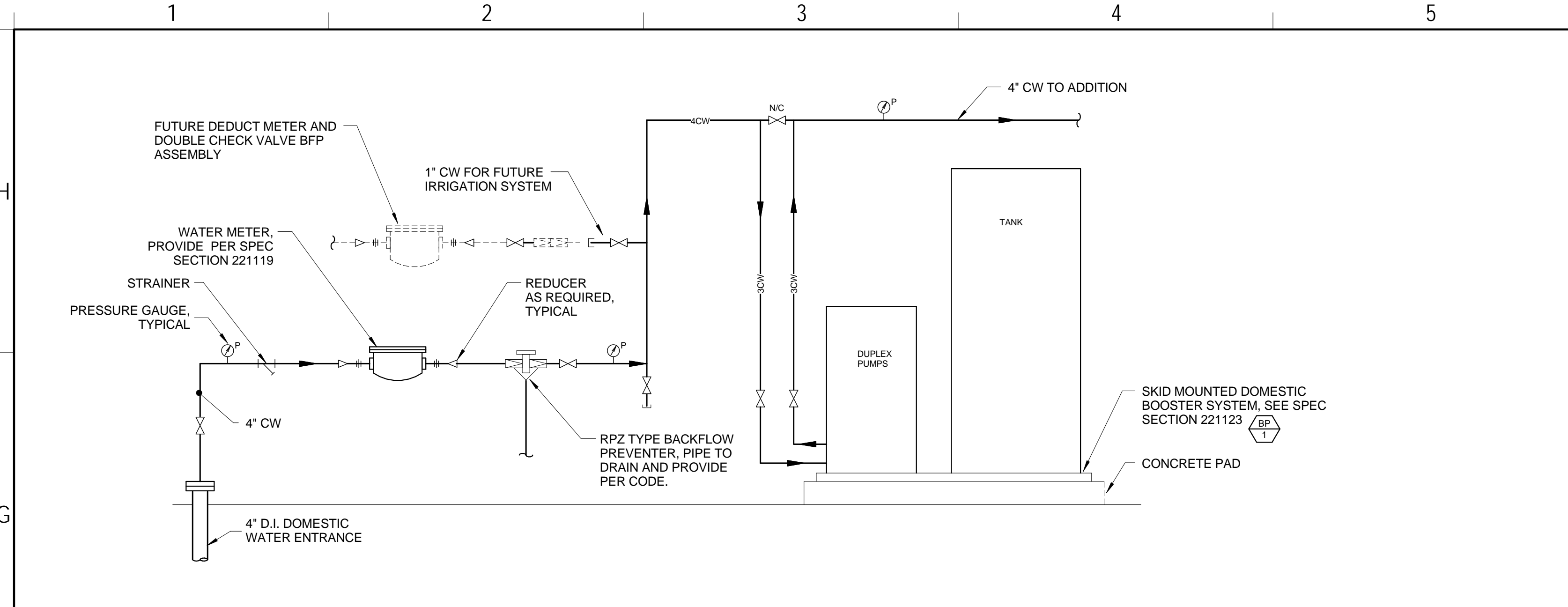
The Park Danforth

777 Stevens Ave, Portland, ME, 04103

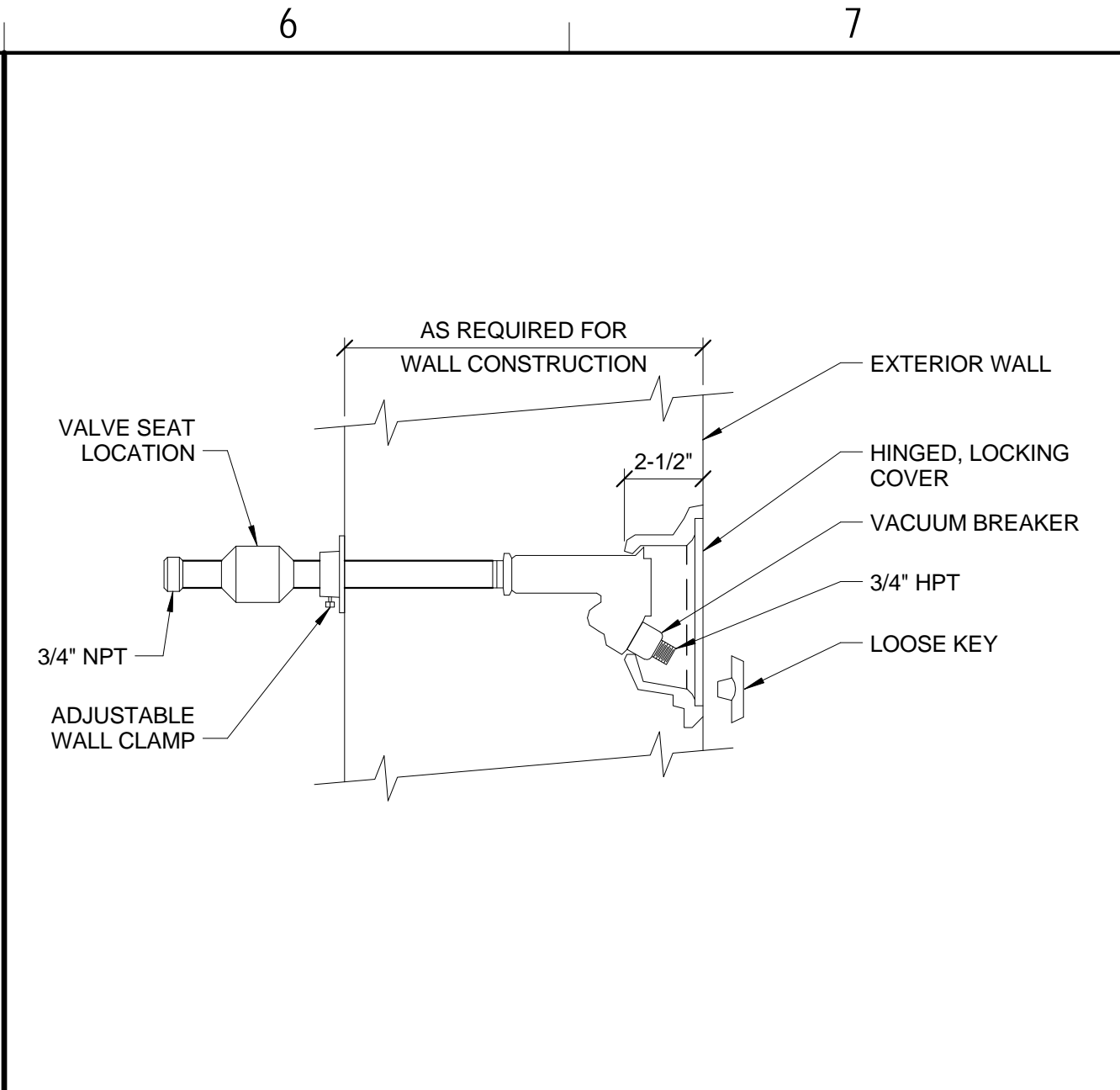
NO.	DESCRIPTION	DATE



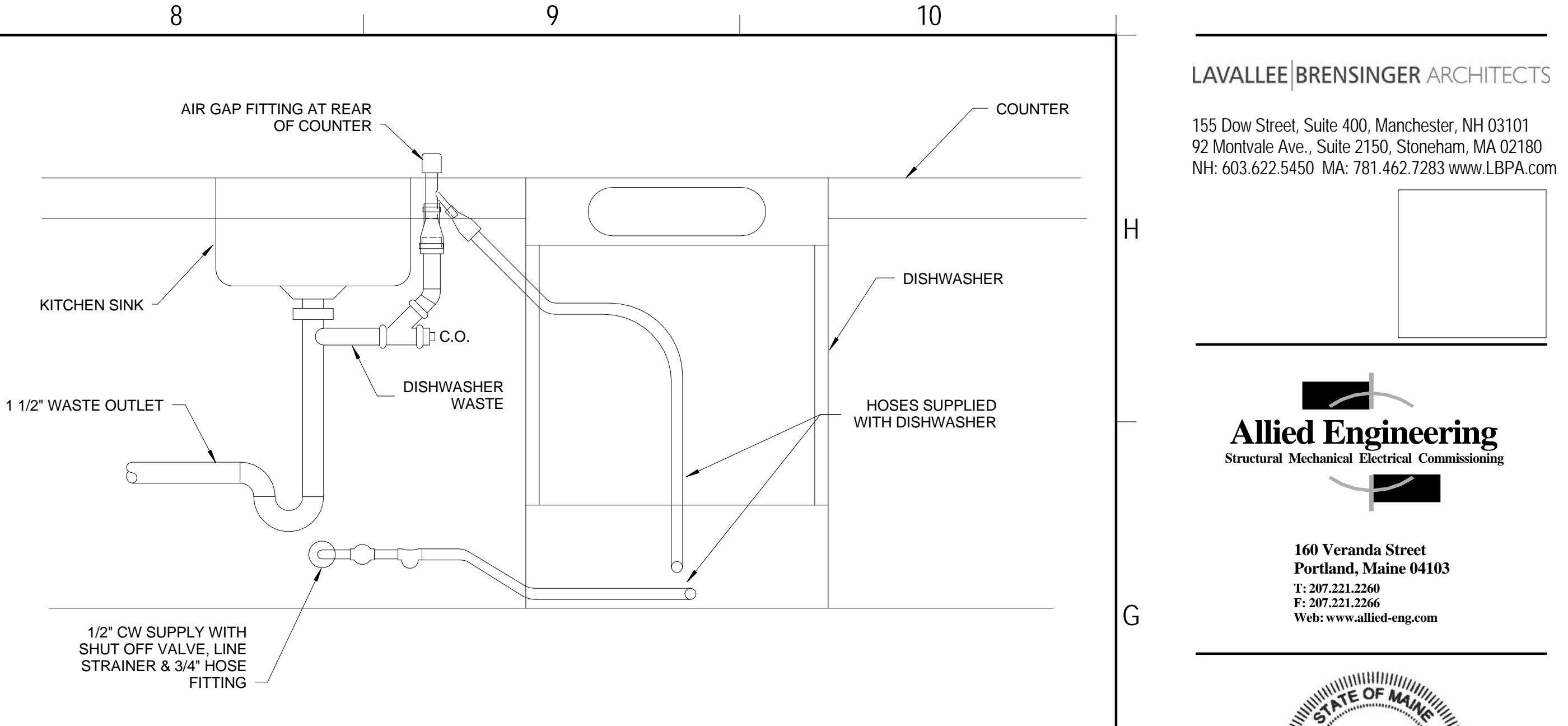
CONTENT: PLUMBING DETAILS	
DRAWN BY:	SGH
PROJECT NO.:	
DATE:	06/05/2015
REVISED:	
SCALE:	AS NOTED
P5.0	
Project Phase 100% CONSTRUCTION DOCUMENTS	
COPYRIGHT © 2014 BY LAVALLEE BRENSINGER PROFESSIONAL ASSOCIATION. ALL RIGHTS RESERVED. NO REPRODUCTION WITHOUT PERMISSION.	



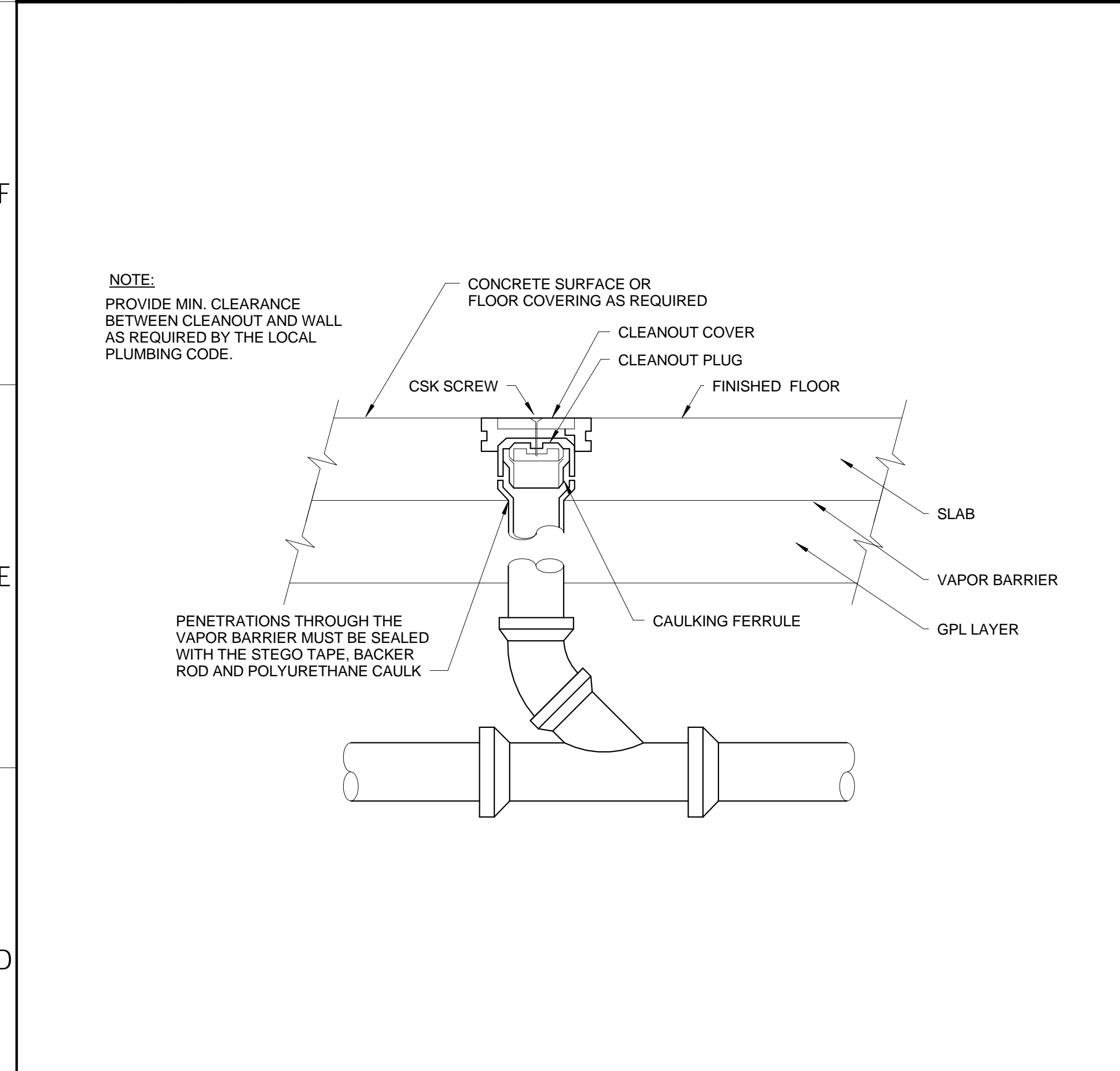
G1 DETAIL - DOMESTIC WATER ENTRANCE PIPING
NOT TO SCALE



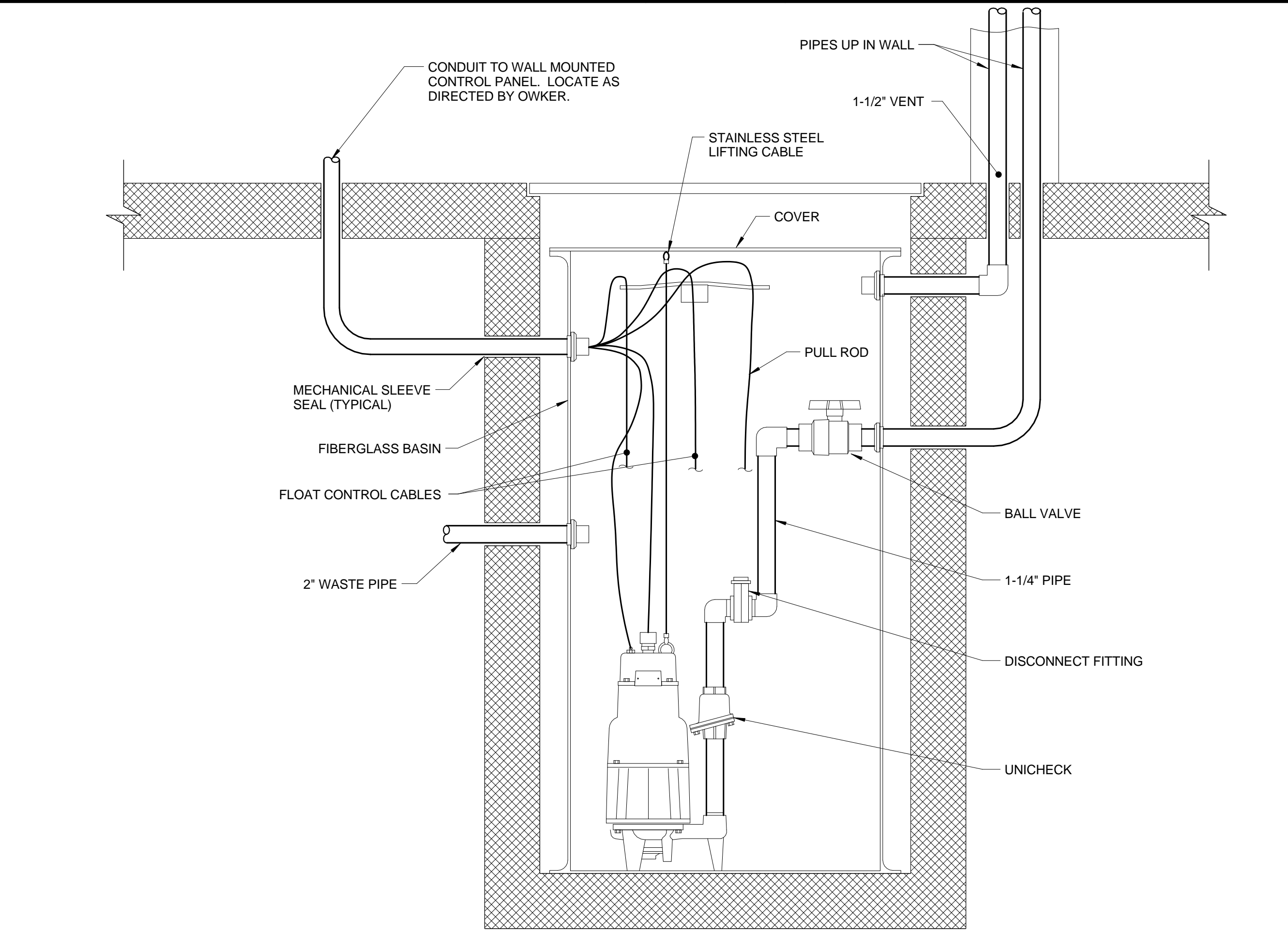
G6 DETAIL - WALL HYDRANT FPTH
NOT TO SCALE



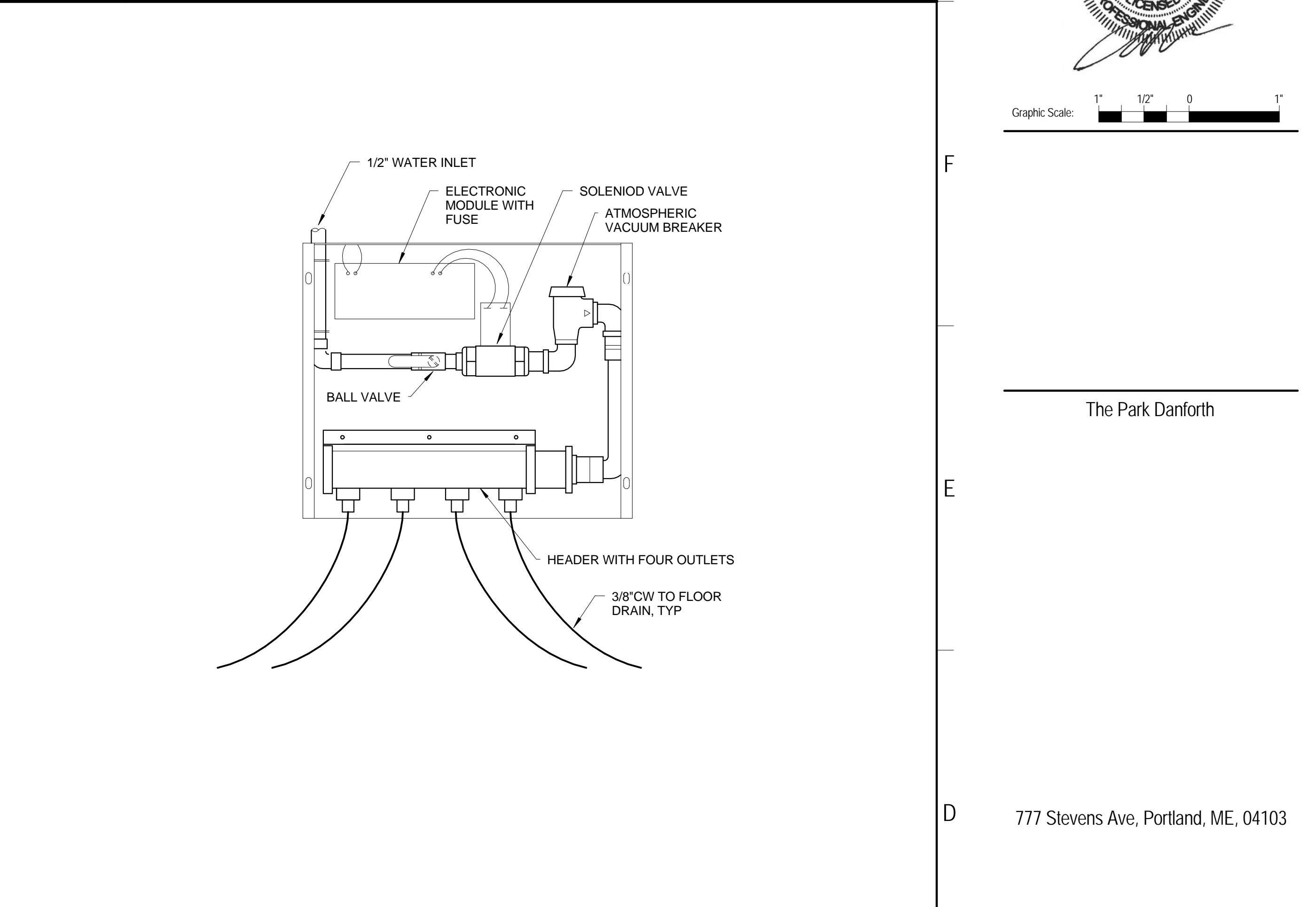
G8 DETAIL - DISHWASHER AND KITCHEN SINK
NOT TO SCALE



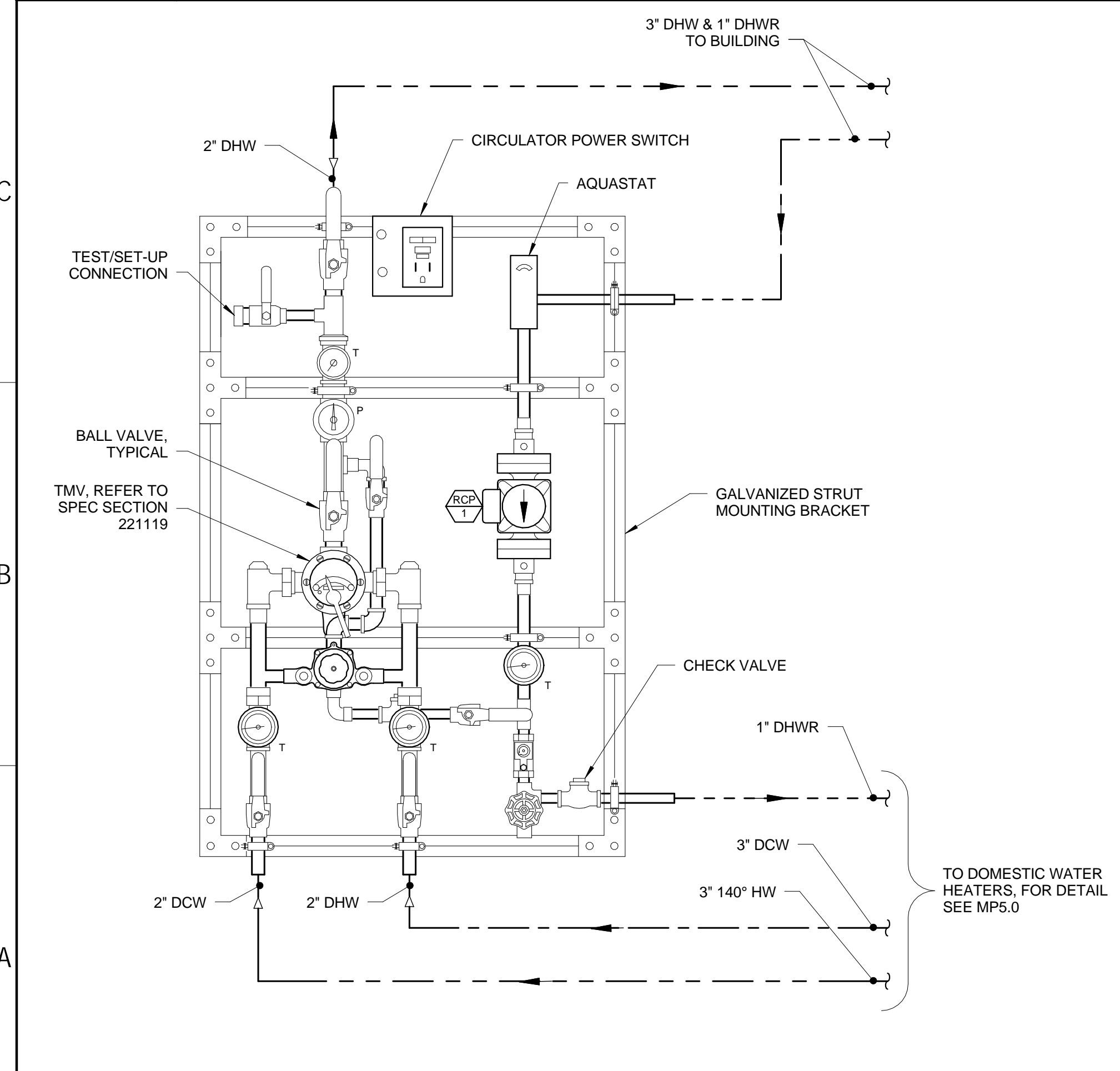
D1 DETAIL - FLOOR CLEANOUT
NOT TO SCALE



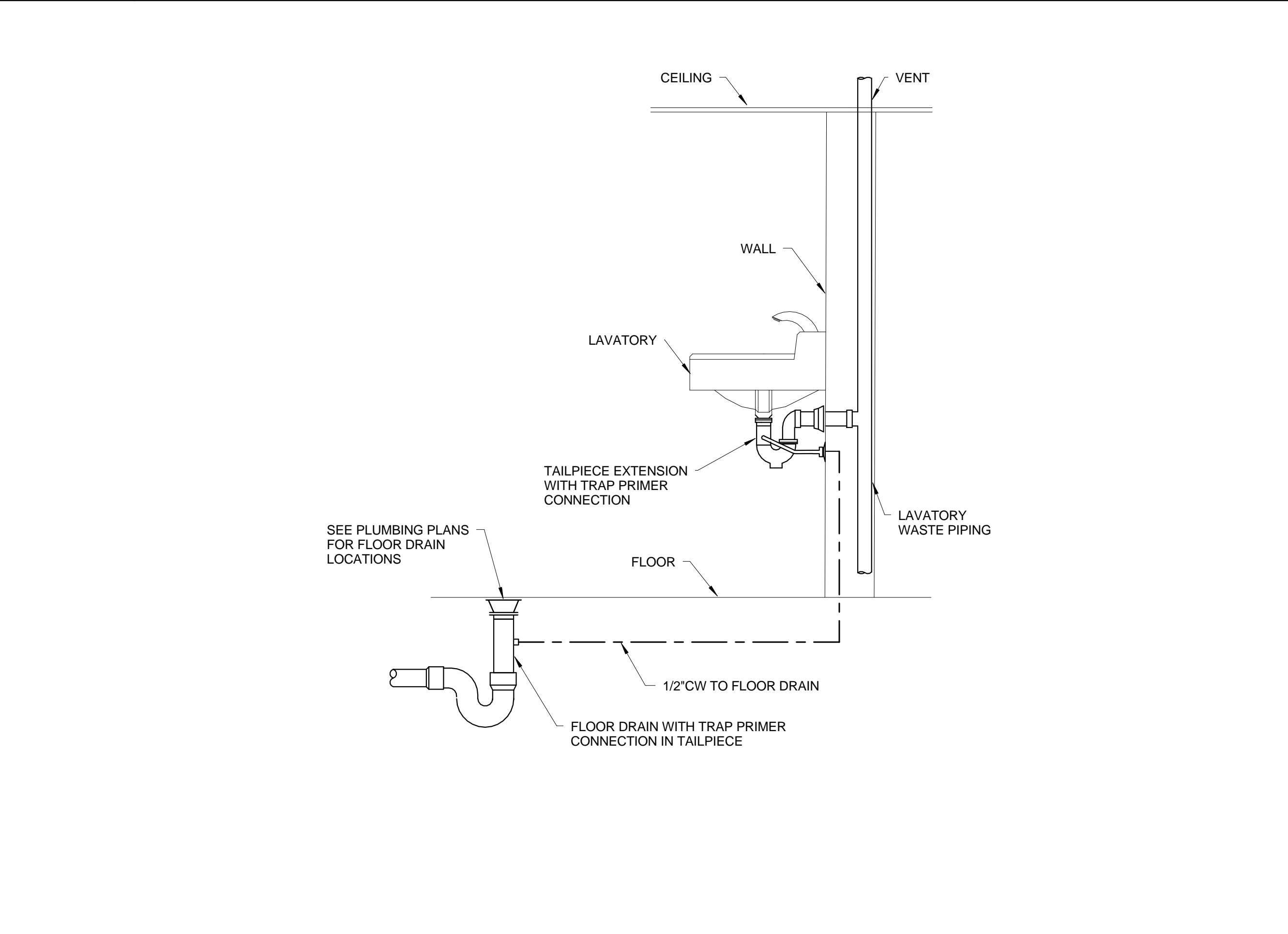
D4 DETAIL - EJECTOR PUMP - ZOELLER SIMPLEX
NOT TO SCALE



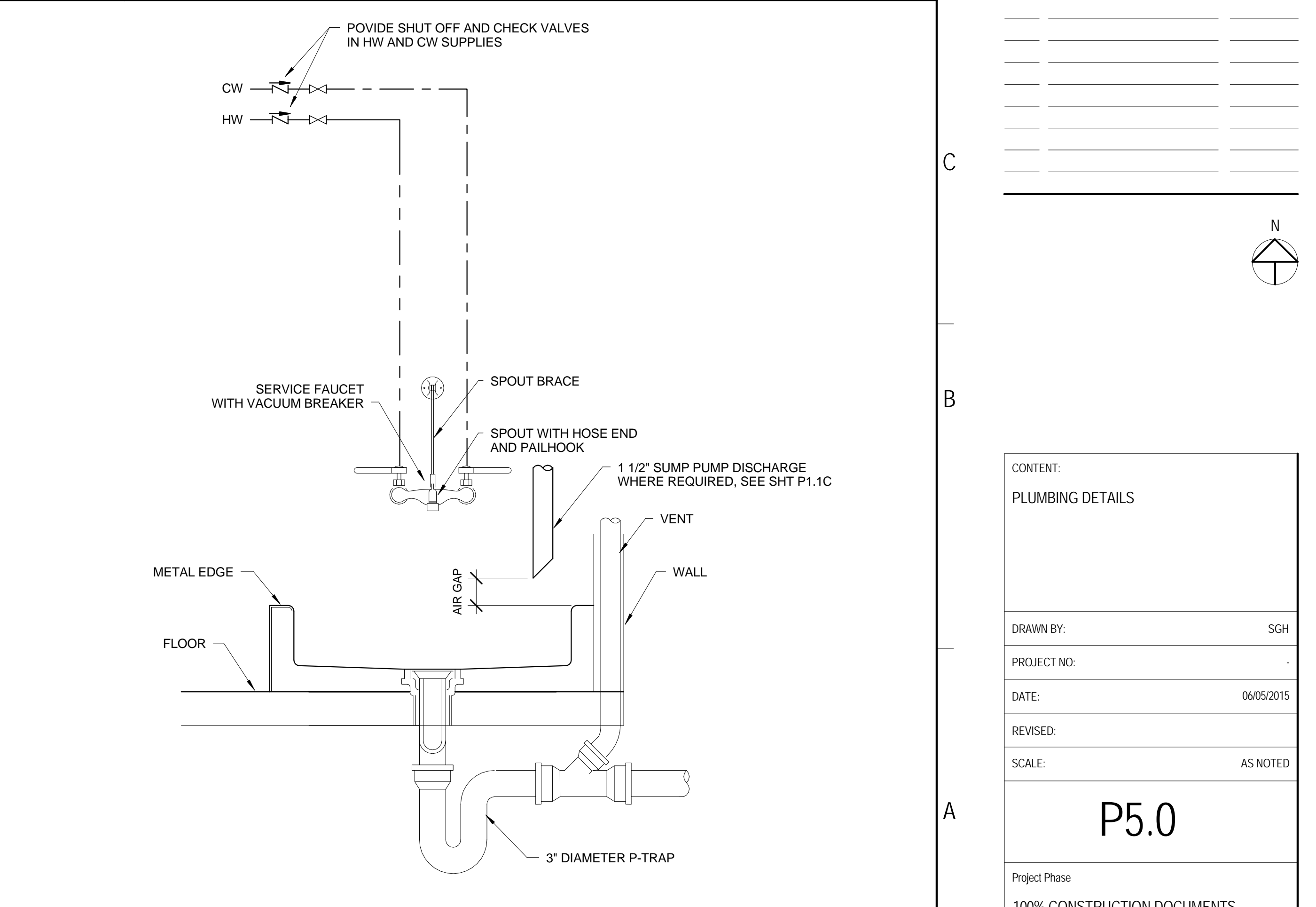
D8 DETAIL - ELECTRONIC TRAP PRIMER TP-1
NOT TO SCALE



A1 DETAIL - TMV - PUMP STATION PIPING
NOT TO SCALE



1 DETAIL - WATER SVER TRAP PRIMER DETAIL TP-2
NOT TO SCALE



A8 DETAIL - MOP RECEPTOR
NOT TO SCALE

02/2015 9:26:08 AM N:\Projects\2015\141018 - Park Danforth\00 Drawing Files - REVIT\2015\141018.rvt