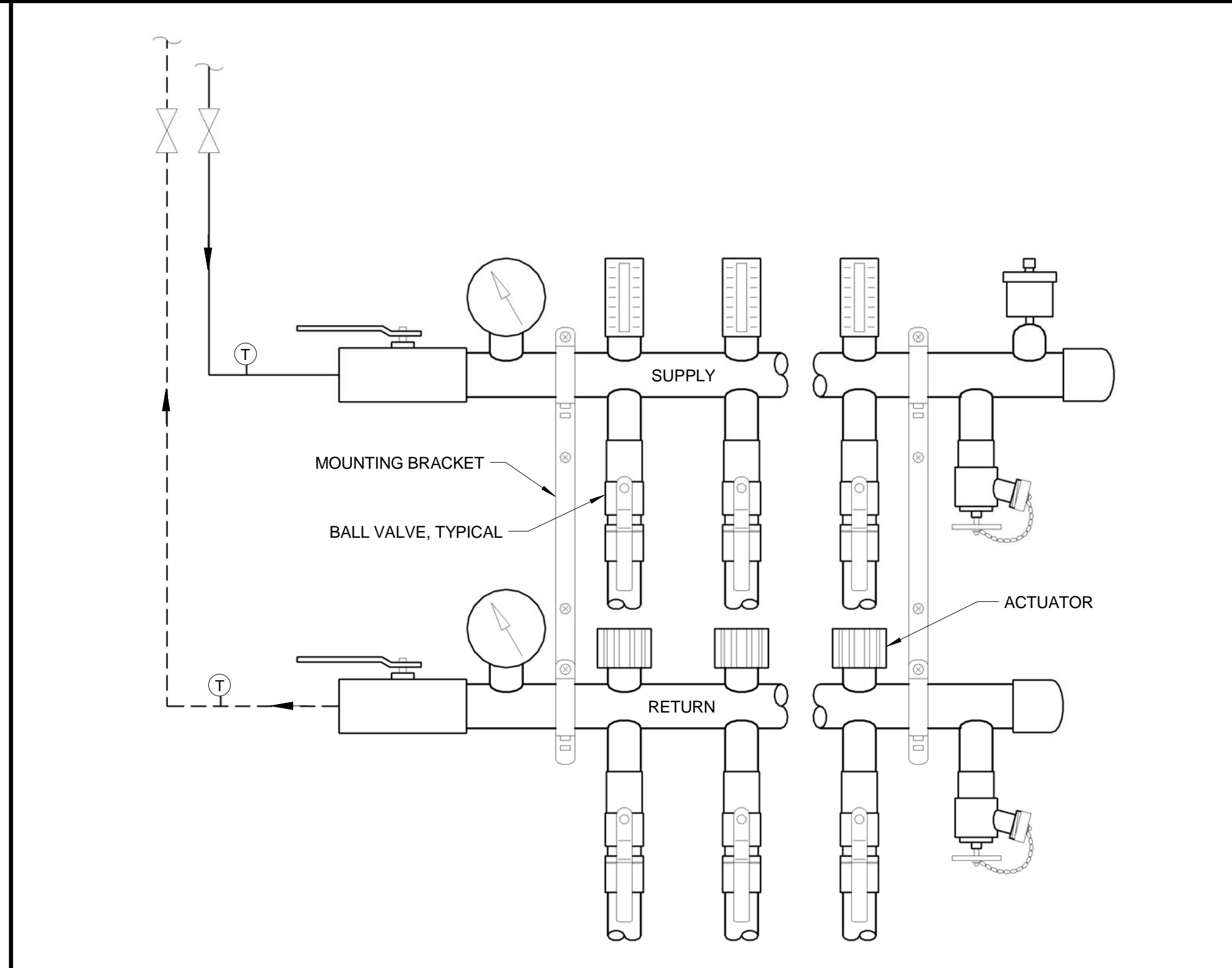
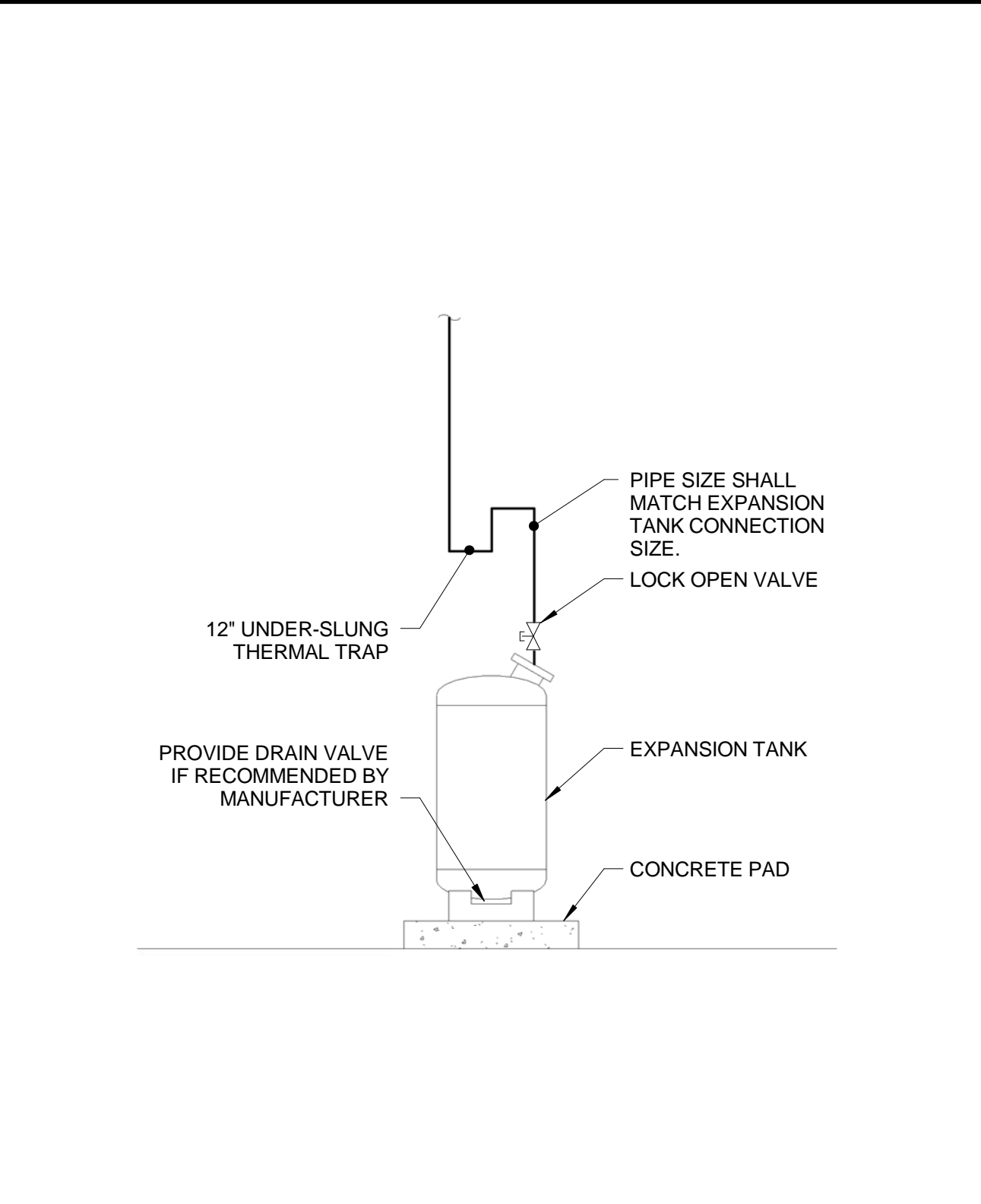
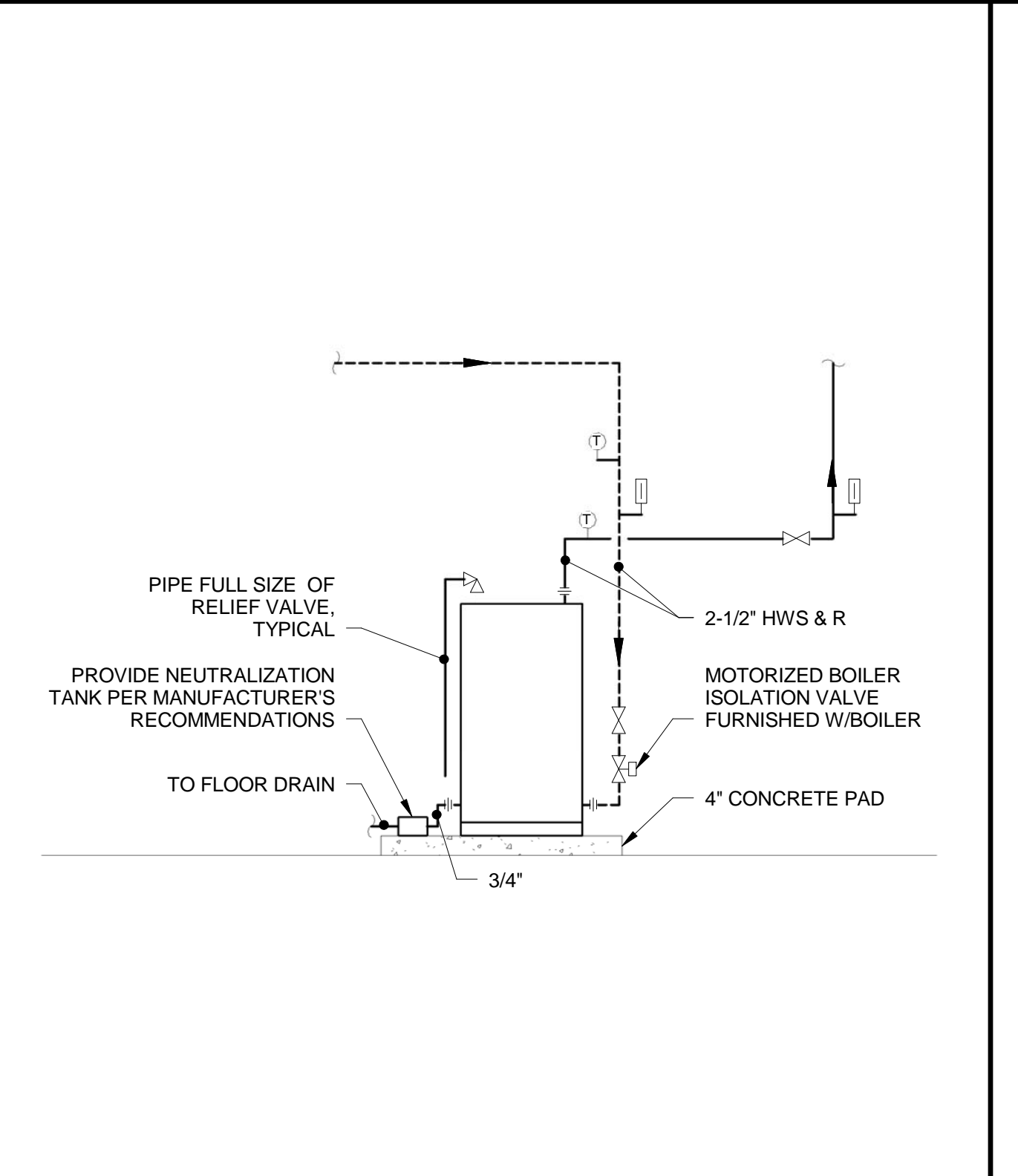
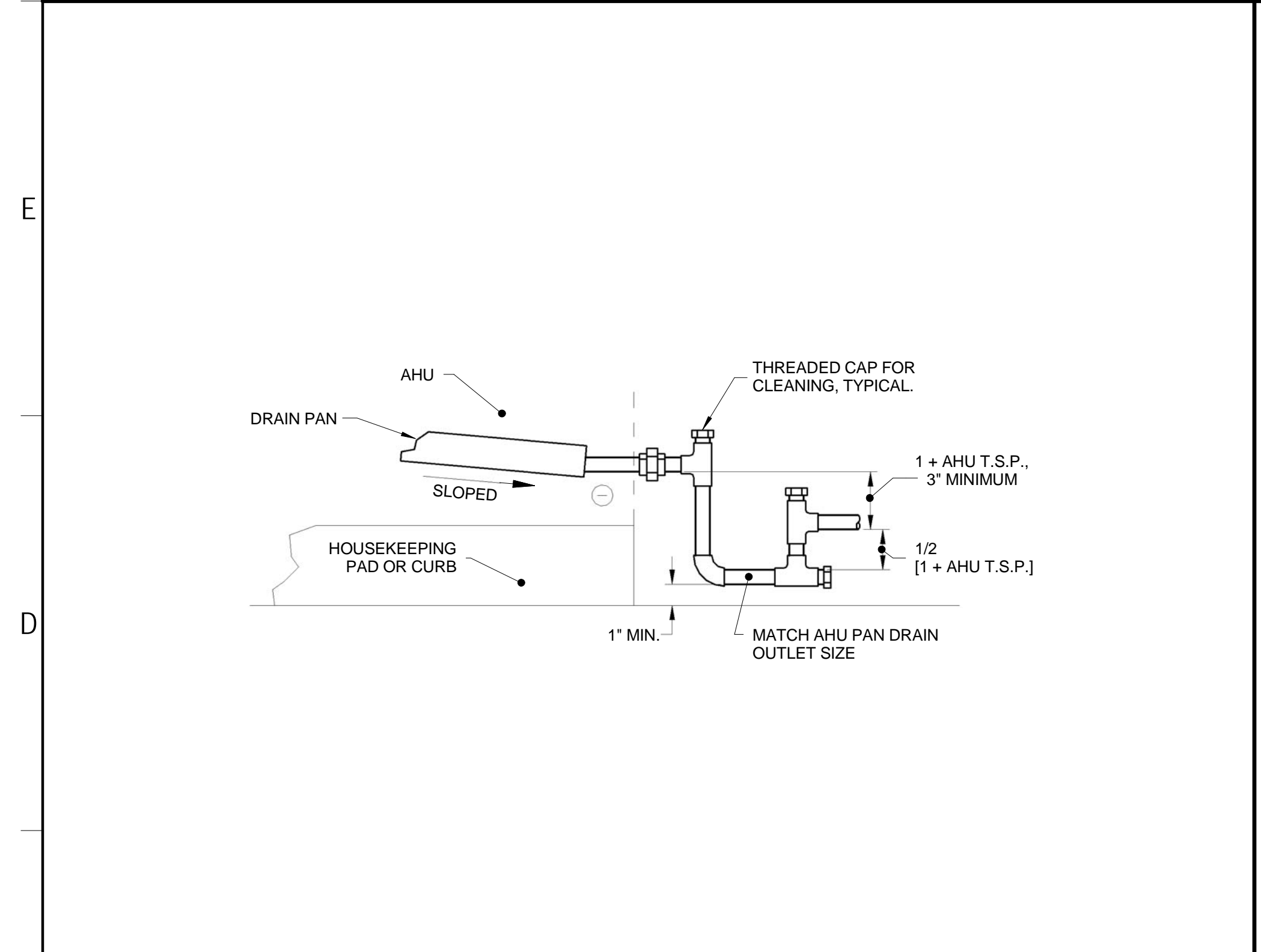


F1 DETAIL - CENTRAL PLANT PIPING SCHEMATIC  
NOT TO SCALE

G8 DETAIL - VERTICAL IN-LINE PUMP  
NOT TO SCALE

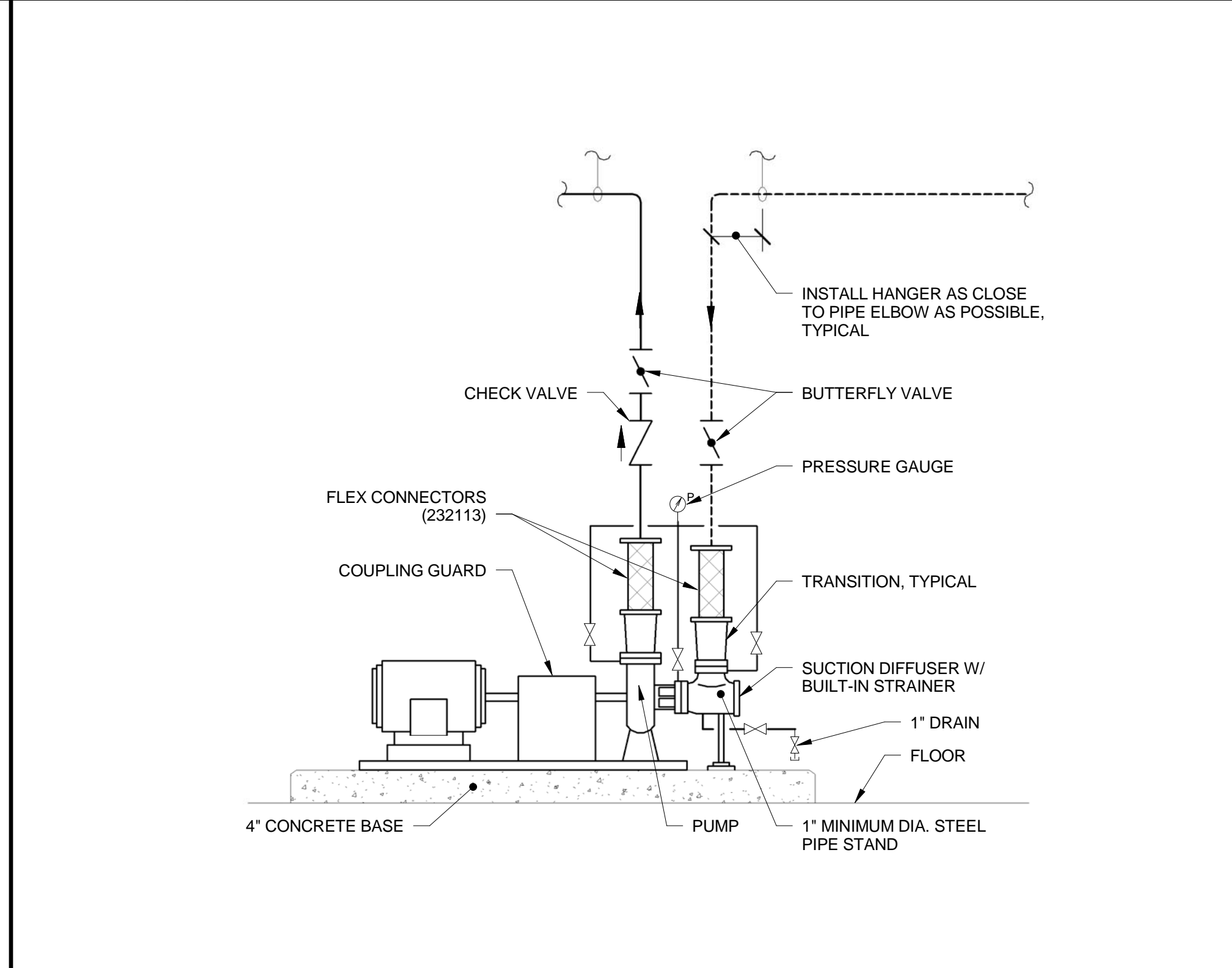
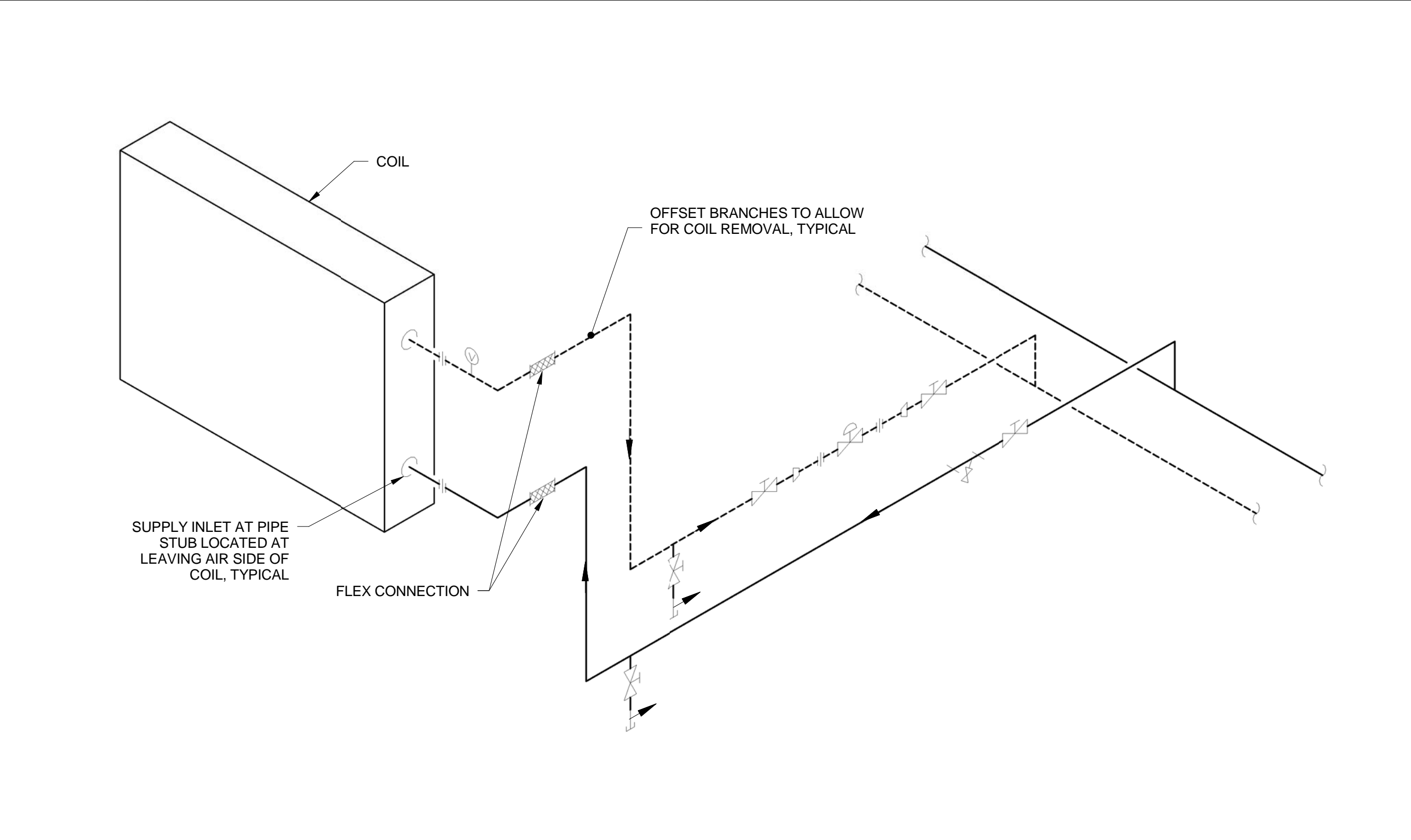
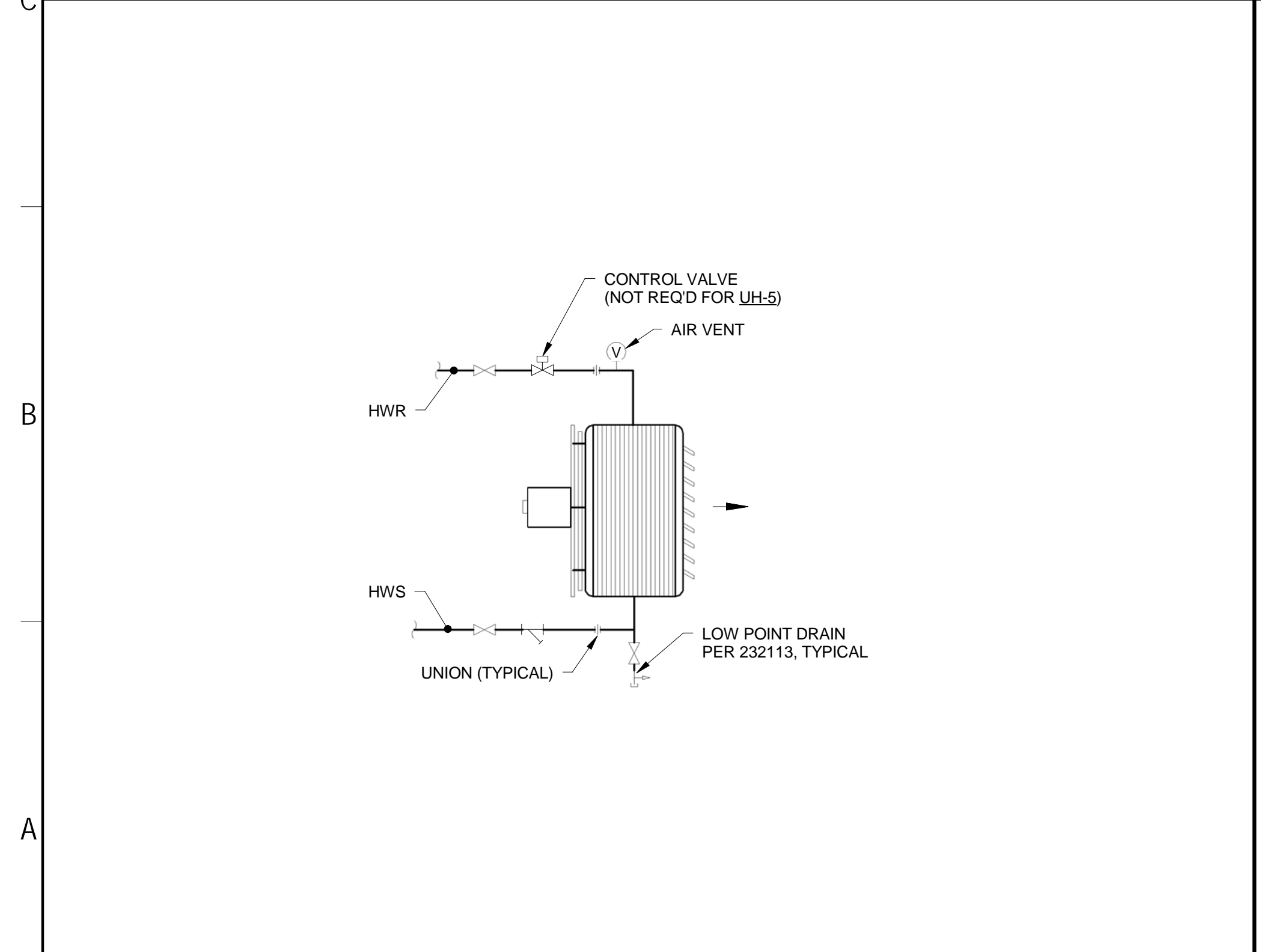


C1 DETAIL - AHU CONDENSATE PIPING  
NOT TO SCALE

C4 DETAIL - BOILER PIPING SCHEMATIC  
NOT TO SCALE

C6 DETAIL - EXPANSION TANK PIPING  
NOT TO SCALE

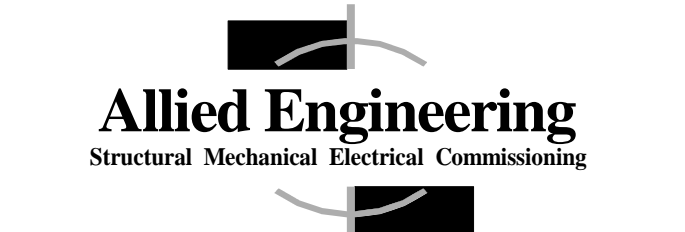
C8 DETAIL - FIN TUBE MANIFOLD PIPING  
NOT TO SCALE



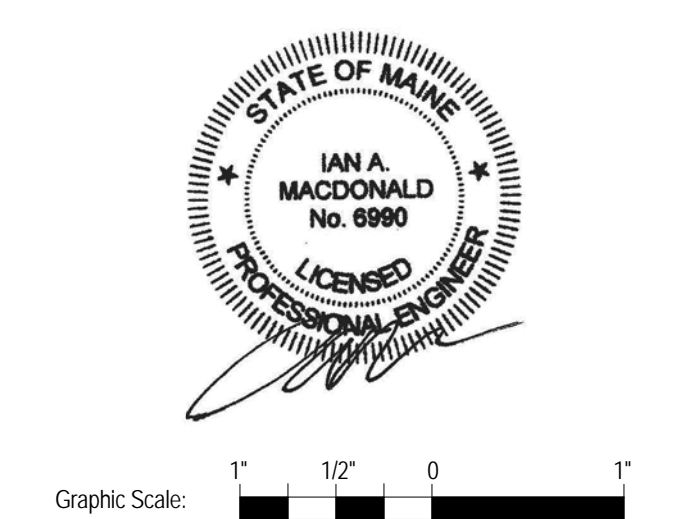
A1 DETAIL - UNIT HEATER PIPING  
NOT TO SCALE

A4 DETAIL - HYDRONIC COIL PIPING SCHEMATIC - 2-WAY VALVE  
NOT TO SCALE

A8 DETAIL - BASE MOUNTED END SUCTION PUMP PIPING  
NOT TO SCALE VERTICAL PUMP PIPING SIMILAR



160 Veranda Street  
Portland, Maine 04103  
T: 207.221.2340  
F: 207.221.2346  
Web: www.allied-eng.com



Graphic Scale: 1" = 10' 0"

The Park Danforth

777 Stevens Ave, Portland, ME, 04103

NO.	DESCRIPTION	DATE



CONTENT: MECHANICAL PIPING DETAILS	
DRAWN BY:	REW
PROJECT NO.:	
DATE:	06/05/2015
REVISED:	
SCALE:	AS NOTED
<b>MP5.0</b>	
Project Phase: 100% CONSTRUCTION DOCUMENTS	
<small>COPYRIGHT © 2014 BY LAVALLEE BRENSINGER PROFESSIONAL ASSOCIATION. ALL RIGHTS RESERVED. NO REPRODUCTION WITHOUT PERMISSION.</small>	

6/29/2015 9:47:43 AM N:\Projects\2015\161-0018 - Park Danforth\00 Drawing files - REV\07 2015\161-0018.dwg