

20-INCH DIA. INSPECTION COVER

4'-0"

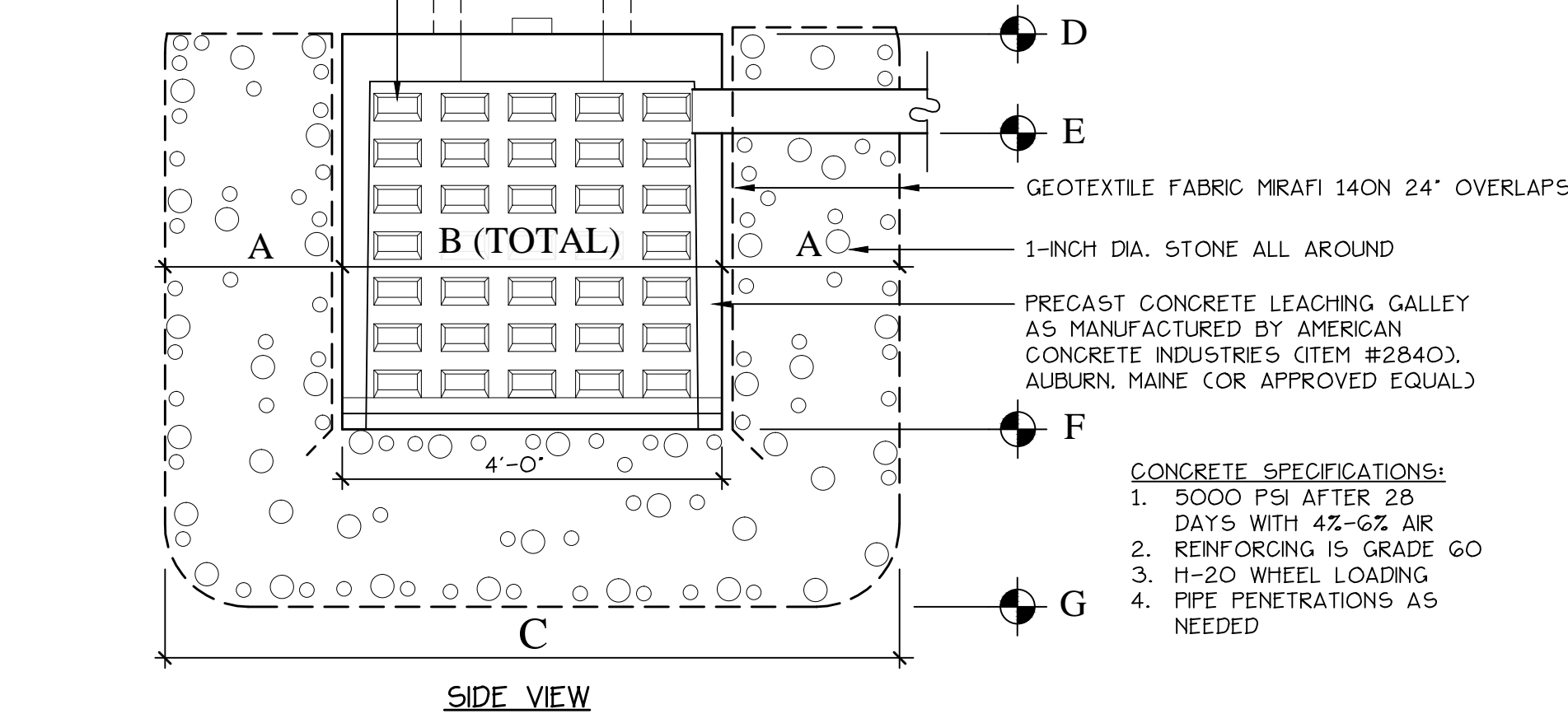
4'-2"

FOR DRYWELL: USE PRE-CAST CONCRETE GRADE RINGS AS NEEDED AND CAST IRON FRAME AND GRATE AS SHOWN ON DETAIL 6, SHEET L6.2

FOR INSPECTION PORTS: USE PRE-CAST CONCRETE GRADE RINGS AS NEEDED AND CAST IRON FRAME AND MANHOLE COVER AS SHOWN ON DETAIL 4, SHEET L6.2

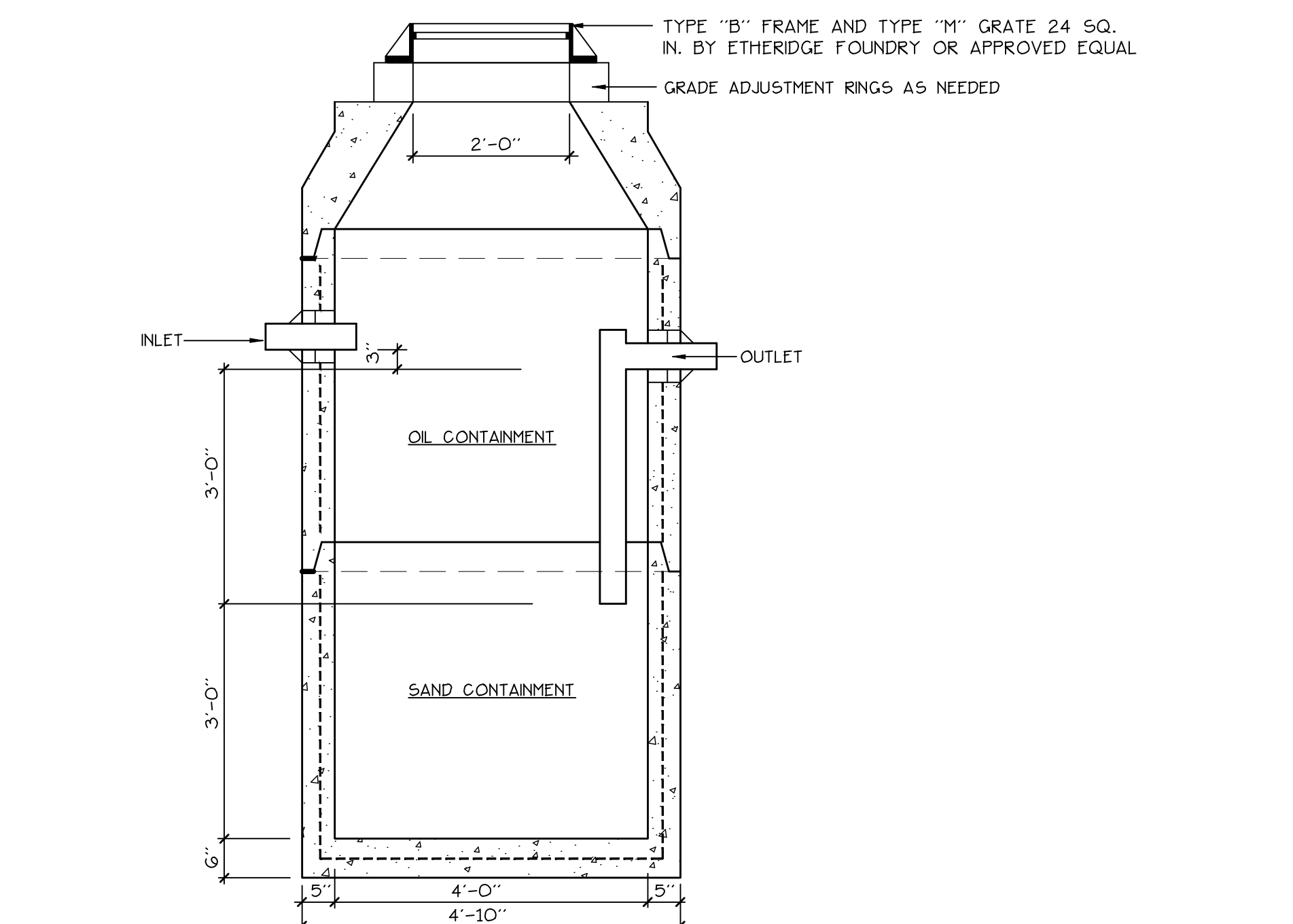
SEE GRADING PLAN FOR FINISH GRADE AND CONDITION

(34) 2" X 5" TAPERED OPENINGS EQUALLY SPACED



	A	B	C	D	E	F	G
LG 1+2	2.5'	4'+4"	13'	122.10	120.60	117.93	115.96
LG 3+4	2.5'	4'+4"	13'	120.39	118.89	116.22	114.22
LG 5+6	2.5'	4'+4"	13'	122.13	120.63	117.96	115.96
LG 8,9,10+11	3.0'	4'+4"+4'+4"	22'	119.81	118.31	115.64	112.64
LG 13+14	2.5'	4'+4"	13'	117.03	115.53	112.86	110.86
LG 15,16+17	3.0'	4'+4"+4"	18'	116.58	115.08	112.46	109.00
DW1	2.5'	4'	9'	124.90	123.90	120.74	117.74
DW2	2.5'	4'	9'	124.90	123.90	120.74	117.74
DW3	2.5'	4'	9'	124.90	123.90	120.74	117.74

1 L6.2 PRECAST CONCRETE LEACHING GALLEY / DRY WELL
NOT TO SCALE



TYPE "B" FRAME AND TYPE "M" GRATE 24 SQ. IN. BY ETHERIDGE FOUNDRY OR APPROVED EQUAL

GRADE ADJUSTMENT RINGS AS NEEDED

INLET

OUTLET

OIL CONTAINMENT

SAND CONTAINMENT

3'-0"

3'-0"

4'-0"

4'-10"

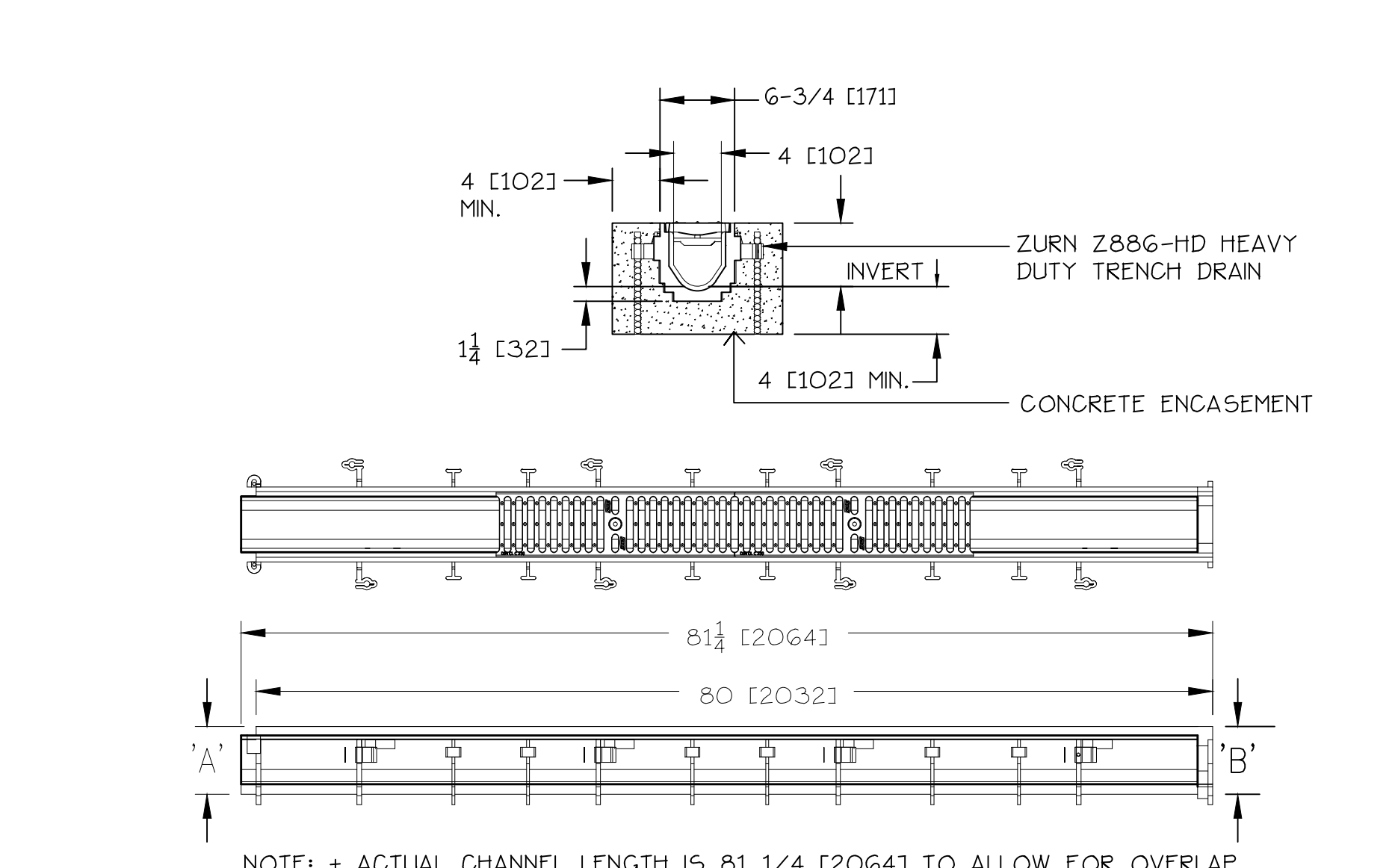
5'

2'-0"

2'-0"

SECTION VIEW

2 L6.2 PRECAST OIL AND WATER SEPARATOR
NOT TO SCALE

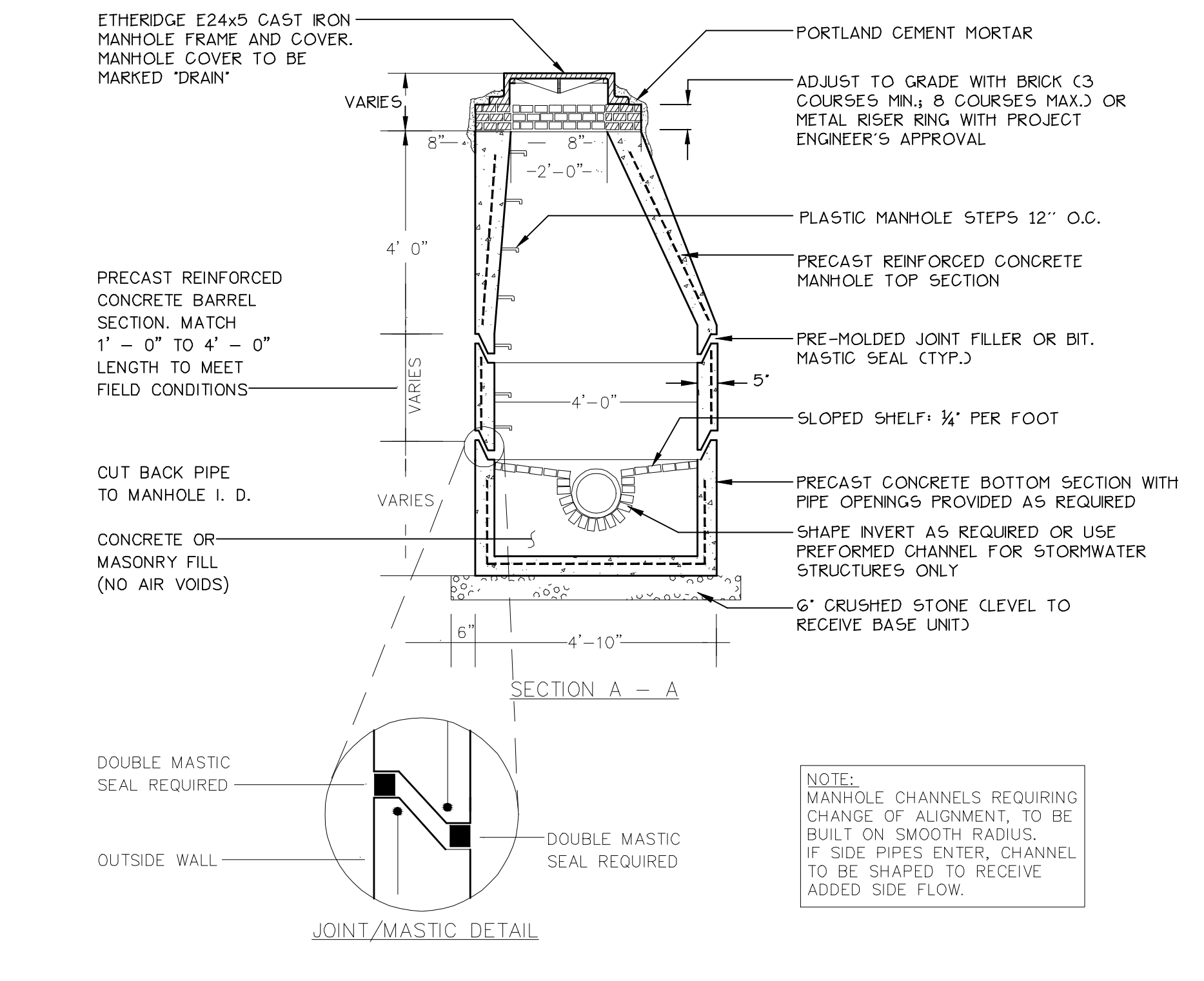
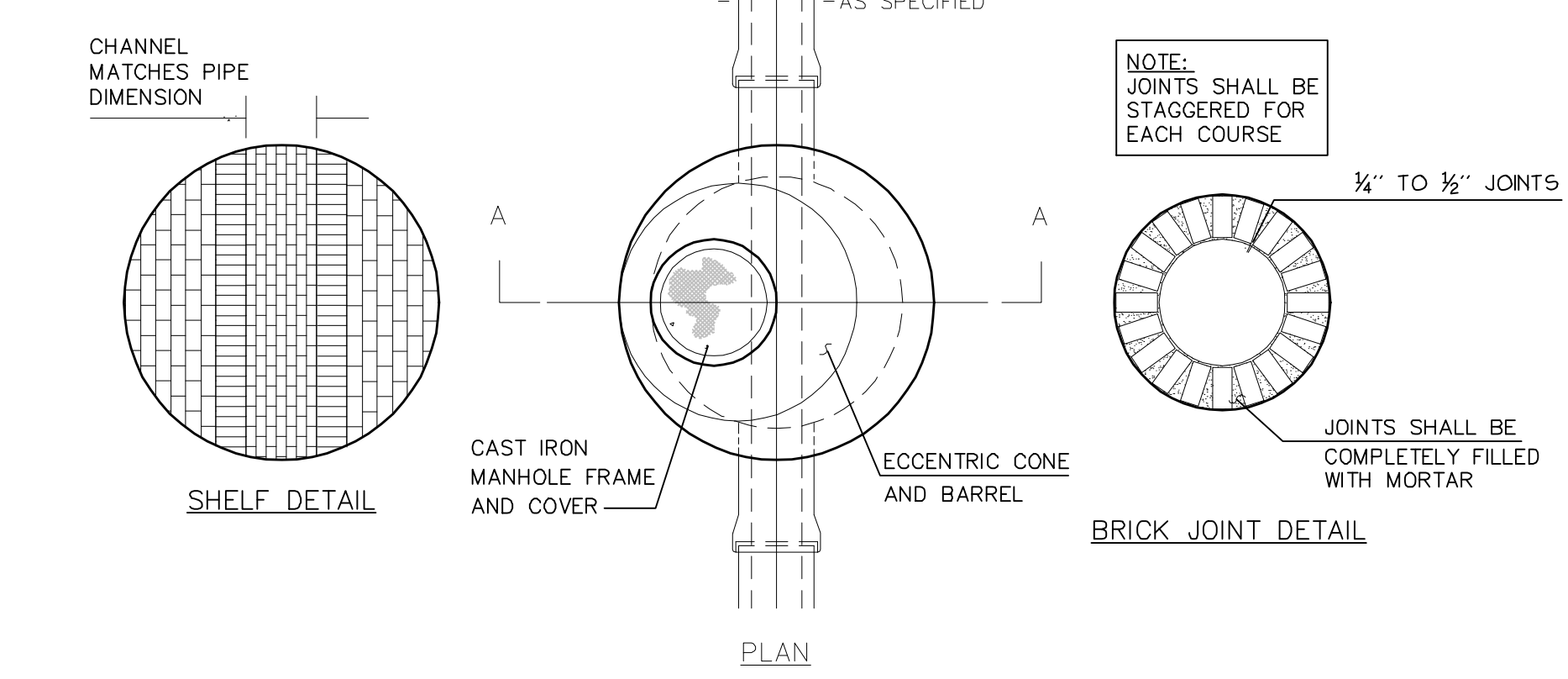


3 L6.2 TRENCH DRAIN DETAIL
NOT TO SCALE

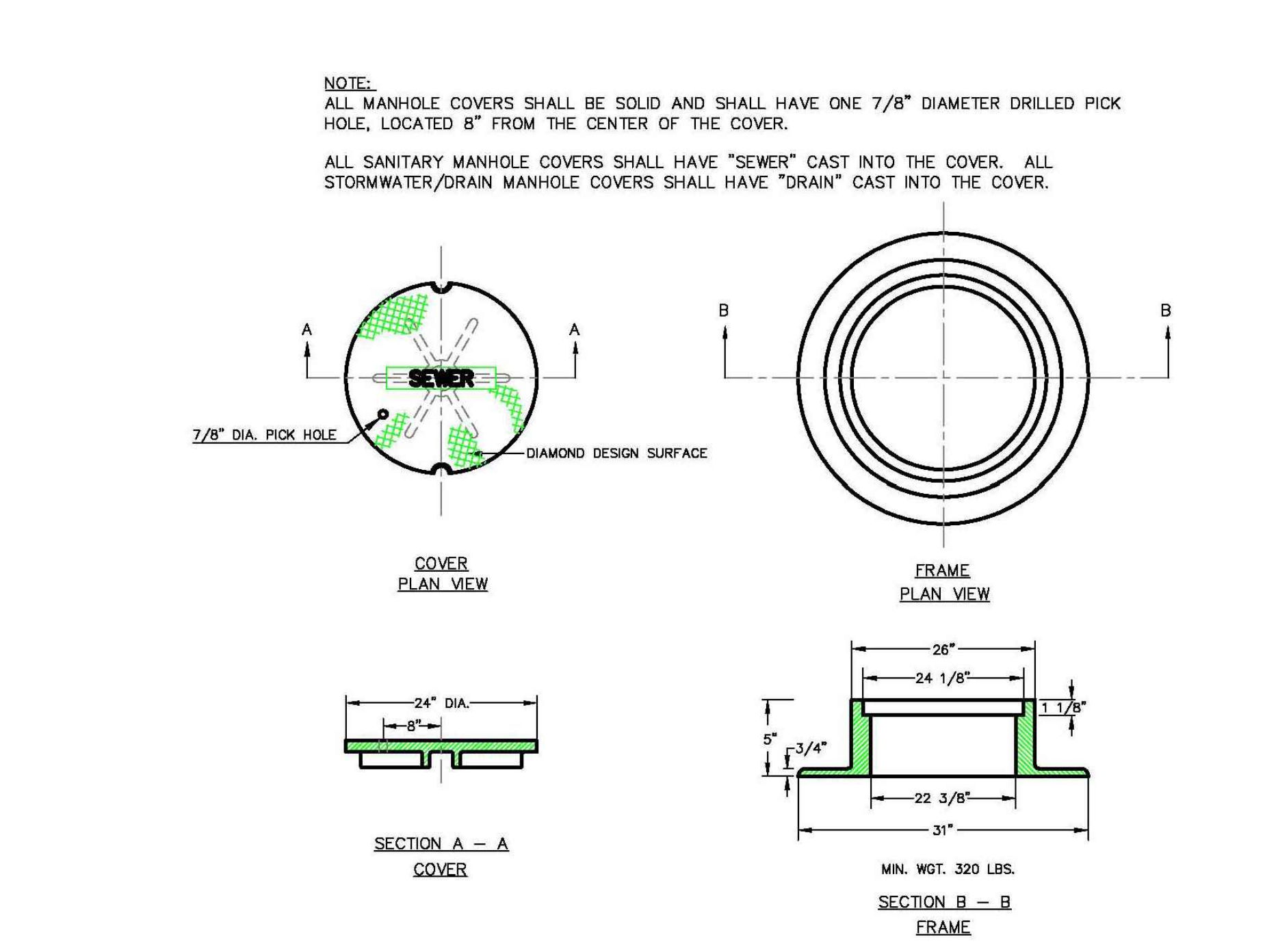
NOTE: + ACTUAL CHANNEL LENGTH IS 81 1/4 [20G4] TO ALLOW FOR OVERLAP.

GENERAL NOTES FOR MANHOLES AND CATCH BASINS

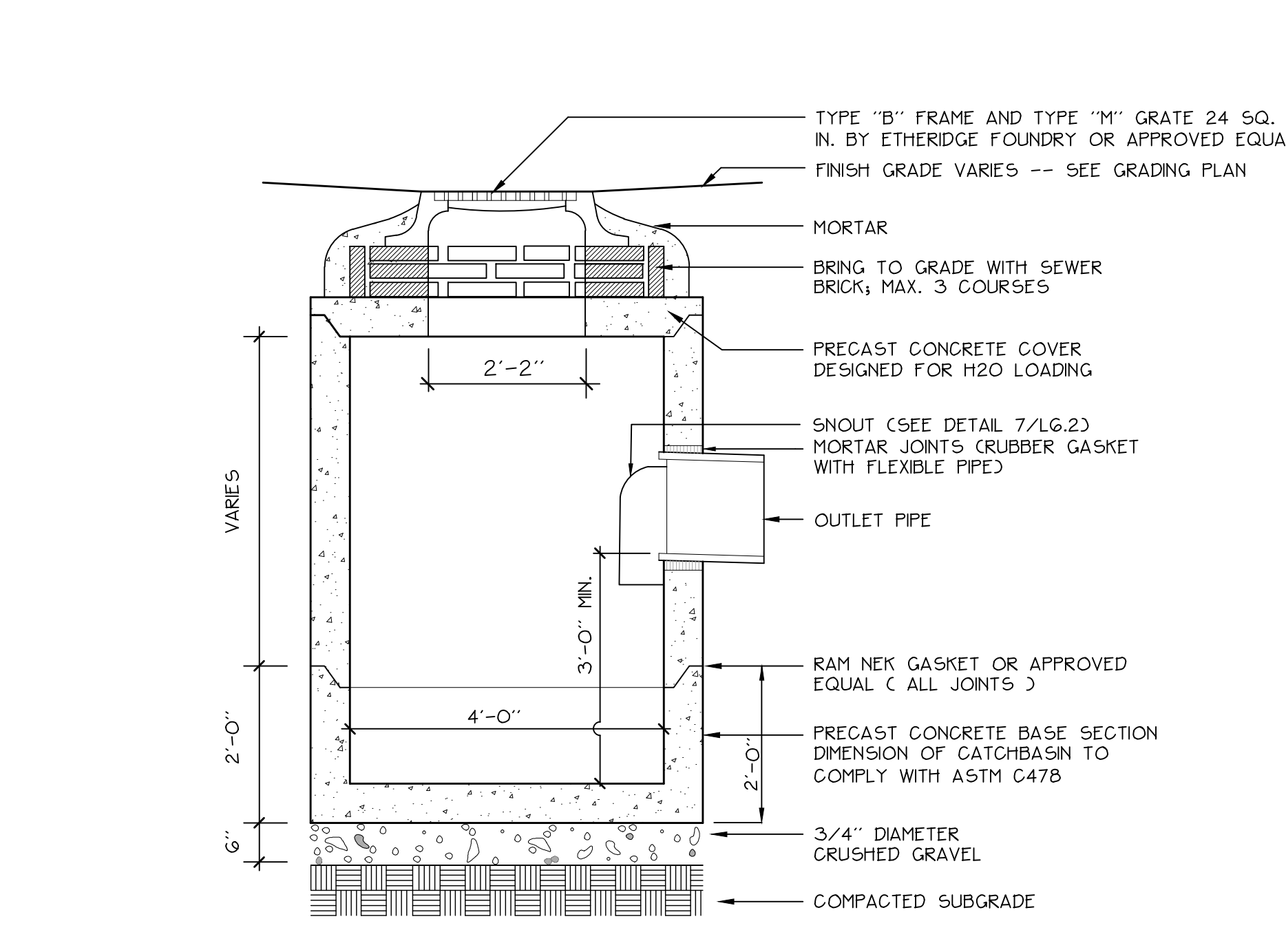
- ALL CONCRETE SHALL HAVE A MINIMUM ULTIMATE COMPRESSIVE STRENGTH OF 4000 PSI PER SQ. INCH AT THE END OF 28 DAYS, UNLESS OTHERWISE NOTED.
- MANHOLES MAY BE CONSTRUCTED OF PRECAST REINFORCED CONCRETE, OR CAST IN PLACE.
- PRECAST REINFORCED CONCRETE BARREL MANUFACTURED PER ASTM SPEC. C-478.
- ALL STORM AND SEWER MANHOLE COVERS SHALL BE SOLID AND SHALL HAVE ONE 7/8" DIAMETER DRILLED PICK HOLE LOCATED 8" FROM THE CENTER OF THE COVER.
- ALL SANITARY MANHOLE COVERS SHALL HAVE "SEWER" CAST INTO THE COVER. ALL STORMWATER/DRAIN MANHOLE COVERS SHALL HAVE "DRAIN" CAST INTO THE COVER.
- ALL MANHOLE RISERS SHALL BE ETHERIDGE 24" OR APPROVED EQUAL.
- SEWER BRICK SHALL CONFORM TO ASTM SPEC. DESIGNATE ON C-32-83, GRADE MA AND SA.
- ALL SANITARY MANHOLES SHALL HAVE A WATERPROOFING COATING APPLIED TO THE EXTERIOR SURFACE.
- CATCH BASIN FRAMES FOR TYPE A4 CATCH BASIN CURB INLETS SHALL BE ETHERIDGE ORSA OR APPROVED EQUAL.
- CASTINGS SHALL CONFORM TO ASTM DESIGNATION A48-CLASS 35.
- EXISTING MANHOLES, CATCH BASINS, FRAMES, AND COVERS SHALL BE SHOWN BY THE CONTRACTOR AND SHALL REMAIN THE PROPERTY OF THE CITY OF PORTLAND.
- ALL CATCH BASIN OUTLETS SHALL BE INSTALLED WITH A CASIO TRAP. SEE FIGURE 10-09.



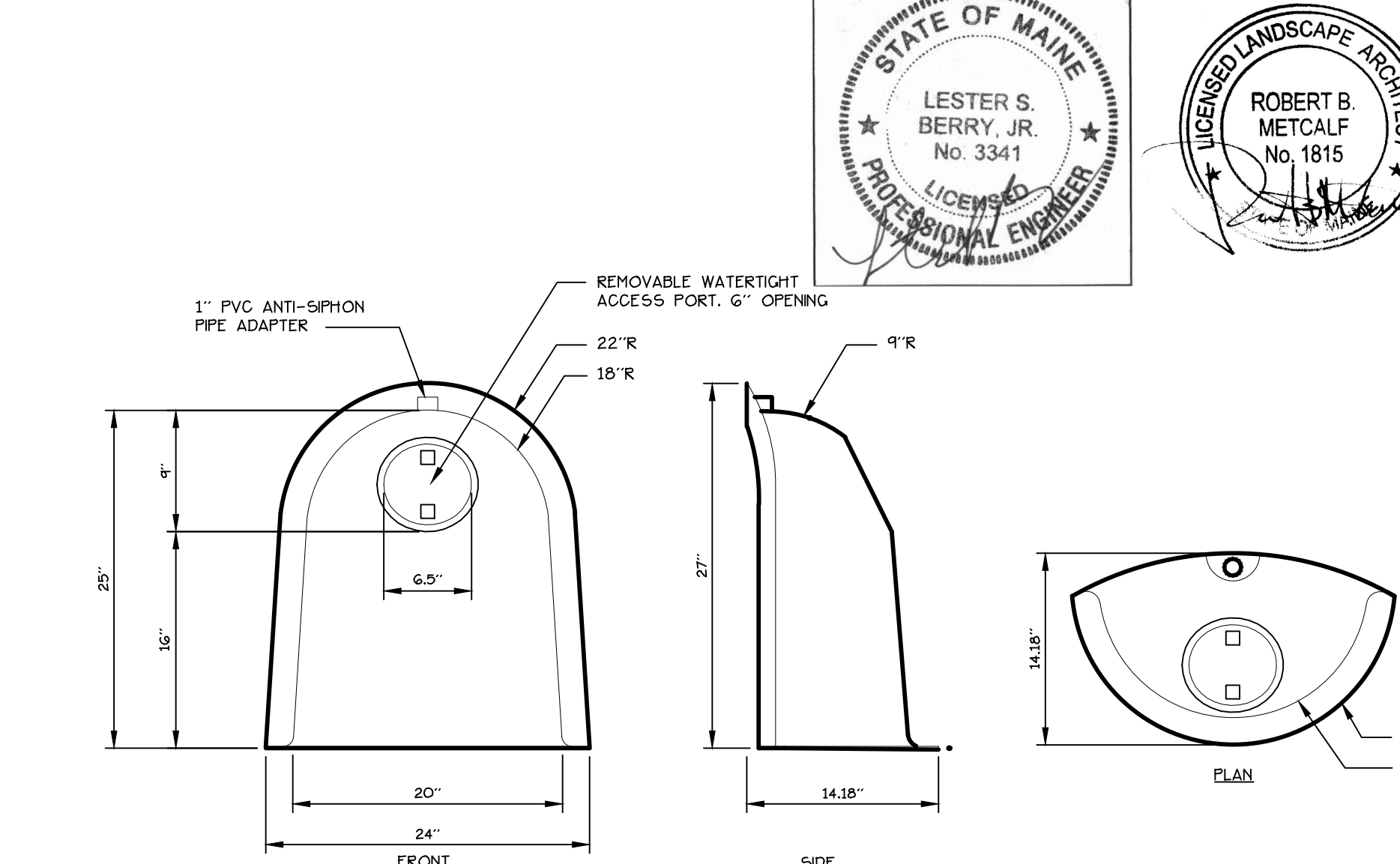
4 L6.2 PRE-CAST CONCRETE MANHOLE
NOT TO SCALE



5 L6.2 CAST IRON MANHOLE COVER AND FRAME
NOT TO SCALE



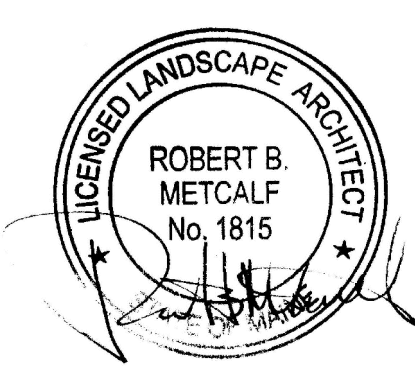
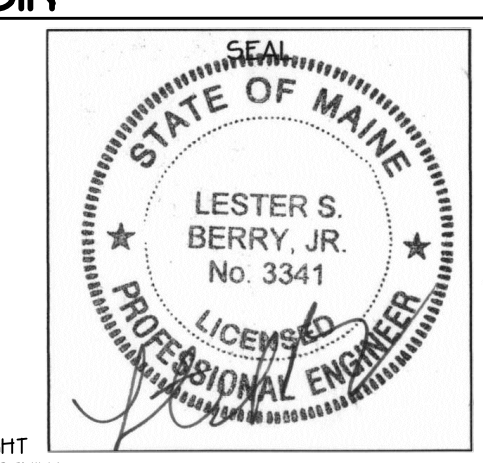
6 L6.2 PRECAST CONCRETE CATCHBASIN
NOT TO SCALE



7 L6.2 THE SNOOT CALL CATCHBASIN DRAINAGE STRUCTURES
NOT TO SCALE

NOTE:
ALL MANHOLE COVERS SHALL BE SOLID AND SHALL HAVE ONE 7/8" DIAMETER DRILLED PICK HOLE, LOCATED 8" FROM THE CENTER OF THE COVER.

ALL SANITARY MANHOLE COVERS SHALL HAVE "SEWER" CAST INTO THE COVER. ALL STORMWATER/DRAIN MANHOLE COVERS SHALL HAVE "DRAIN" CAST INTO THE COVER.



Prepared For:
Owner:
Home For The Aged
777 Stevens Avenue
Portland, Maine 04103
Tel.: 207-797-7710

Applicant:
The Park Danforth
777 Stevens Avenue
Portland, Maine 04103
Tel.: 207-797-7710

Prepared By:
MITCHELL & ASSOCIATES
Landscape Architects
The Staples School
70 Center Street
Portland, Maine 04101
Tel.: 207-774-4427

The Park Danforth
Portland, Maine
777 Stevens Avenue

Date:
OCTOBER 17, 2014

Issued For:
PERMITTING

Revisions:
NOV. 25, 2014: Per City of Portland Staff Review Comments
JAN. 5, 2015: Per City of Portland Staff Review Comments
MAR. 25, 2015: Site Pricing Set

Reproduction or reuse of this document without the expressed written consent of Mitchell & Associates is prohibited.
© 2015

Title:
SITE DETAILS

Scale: AS SHOWN

North:
Sheet No.:
L6.2