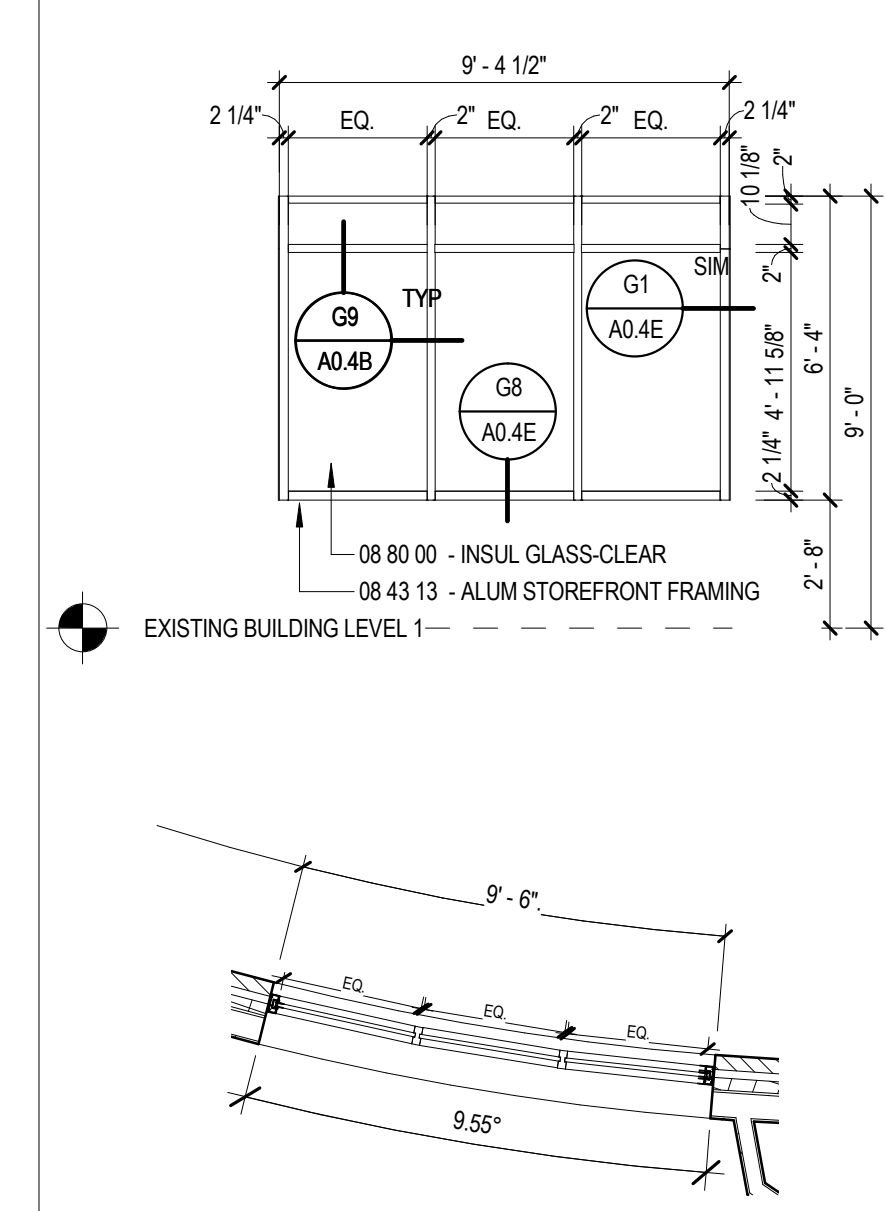
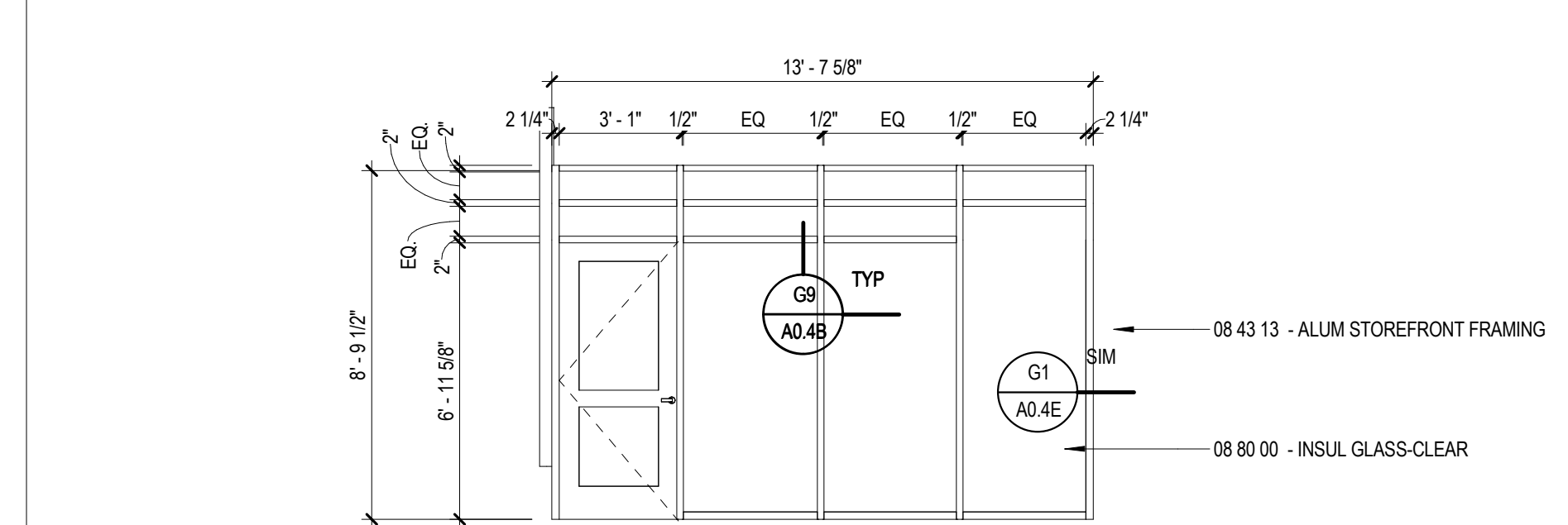


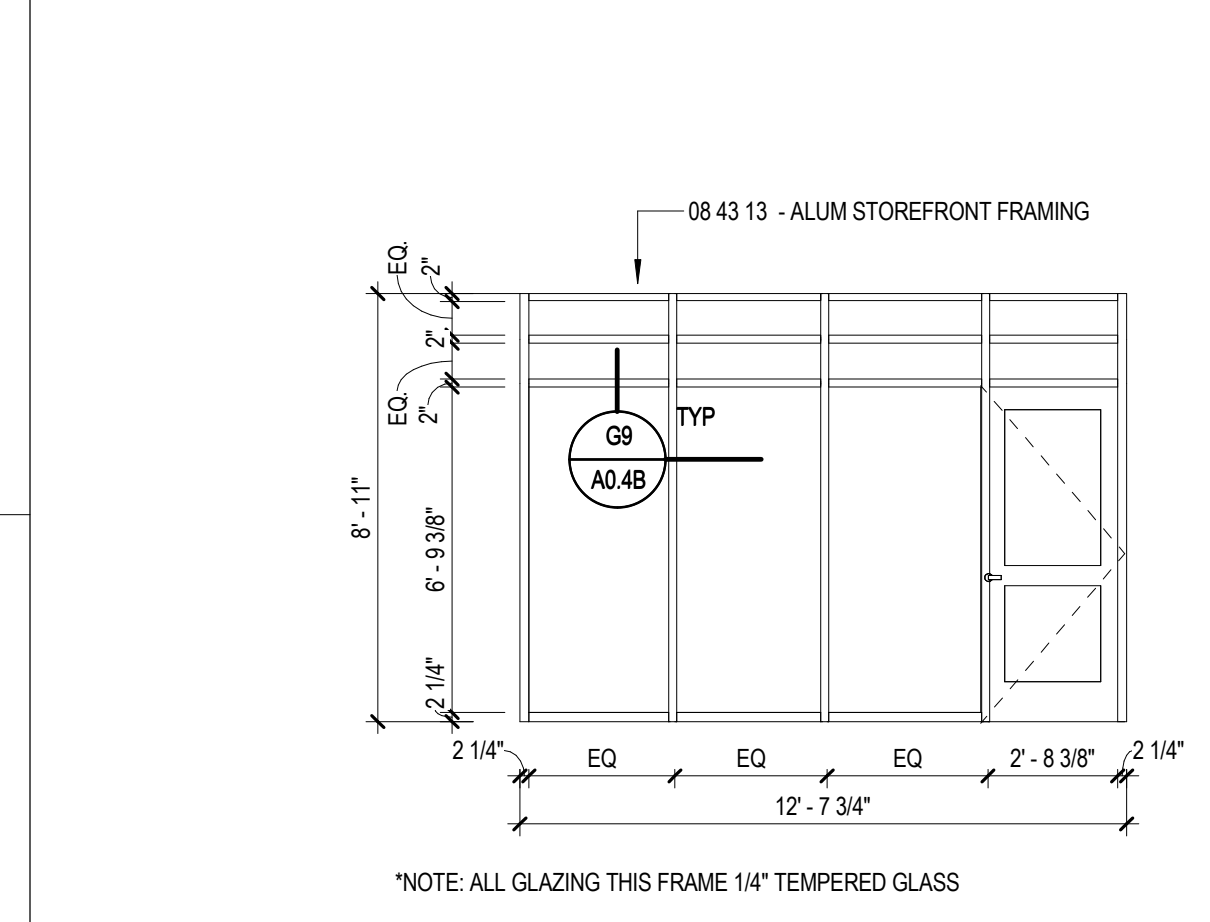
SF15 EXTERIOR STOREFRONT
A0.4B 1/4" = 1'-0"



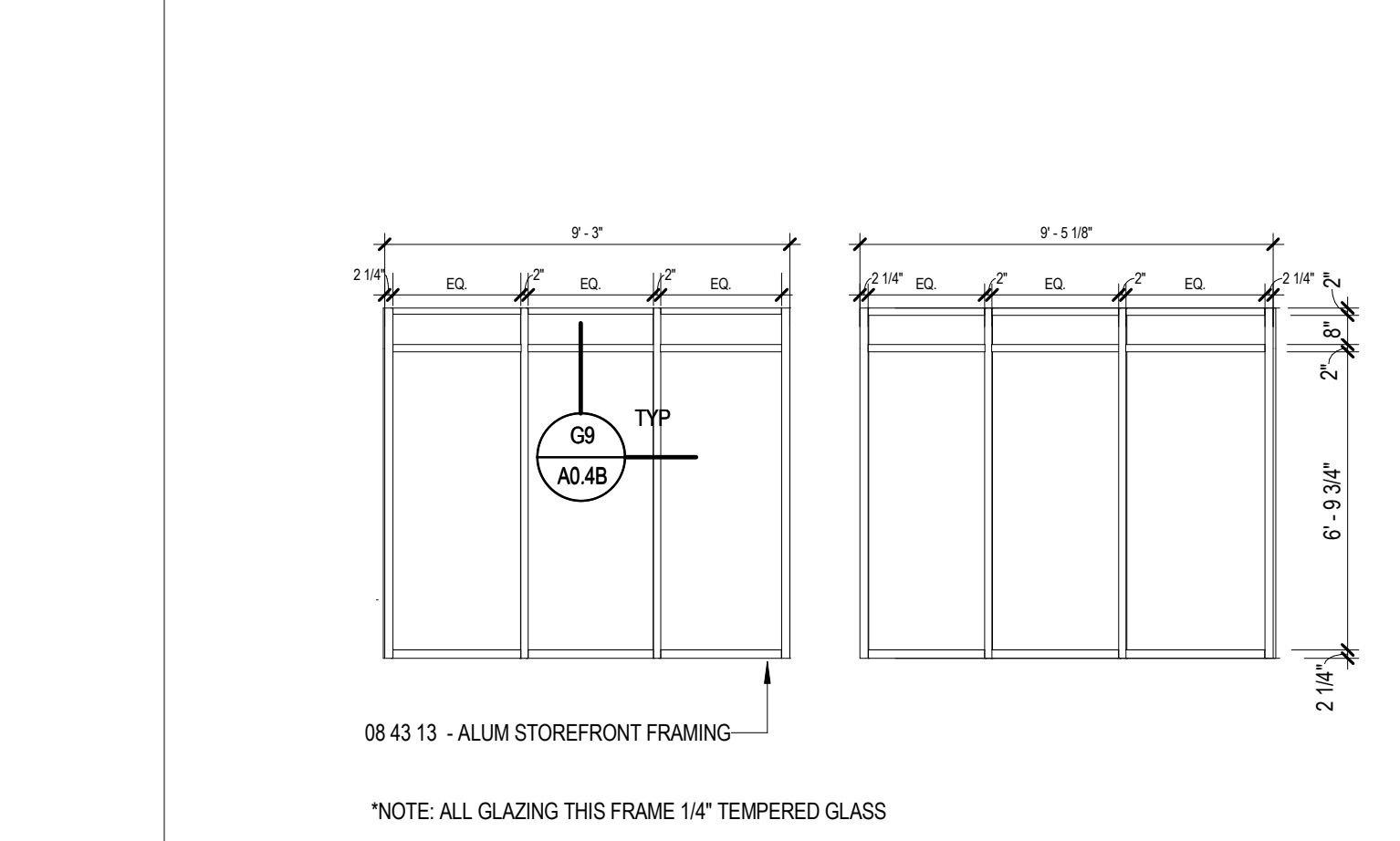
SF16 EXTERIOR STOREFRONT
A0.4B 1/4" = 1'-0"



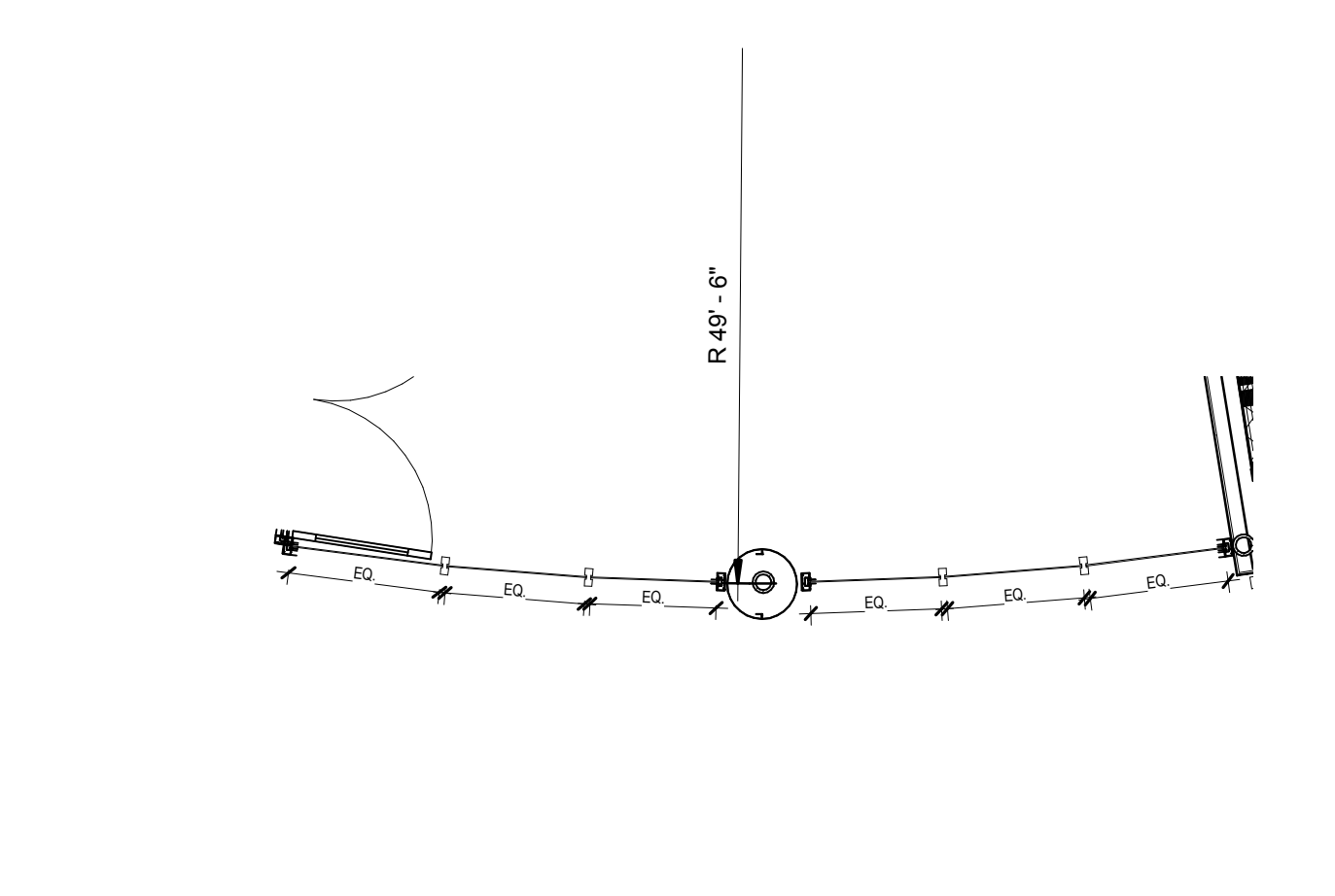
SF17 EXTERIOR STOREFRONT
A0.4B 1/4" = 1'-0"



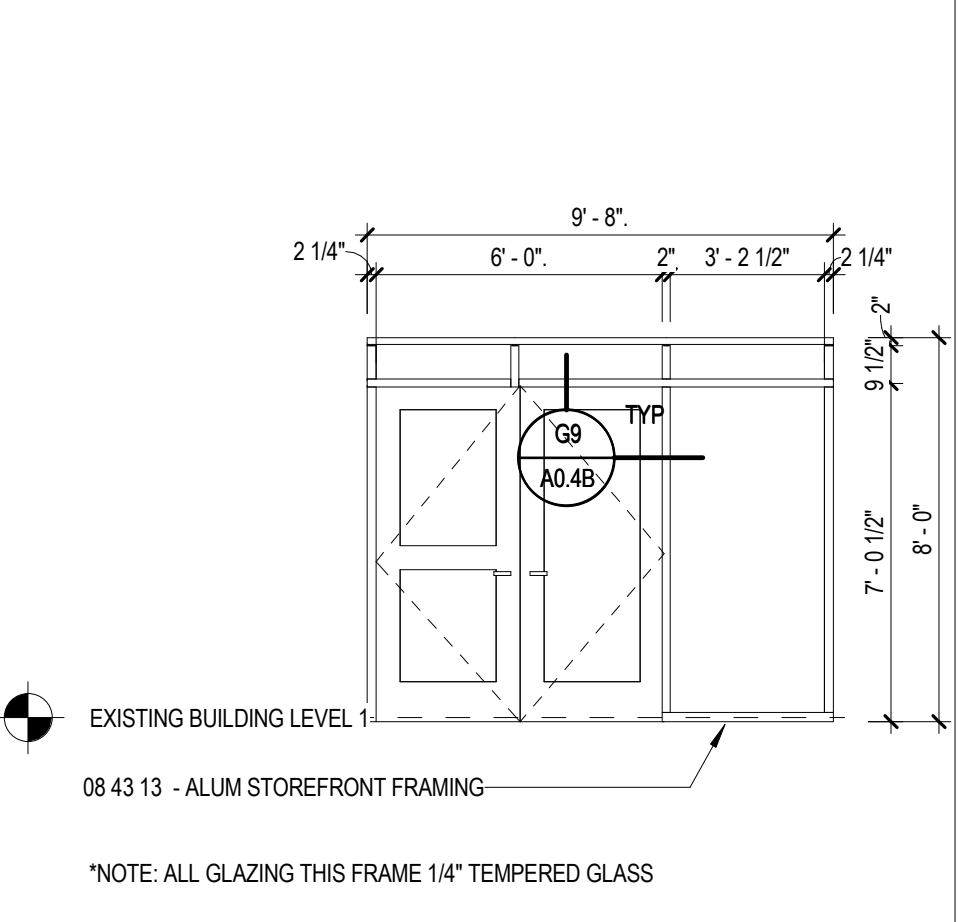
SF18 INTERIOR STOREFRONT
A0.4B 1/4" = 1'-0"



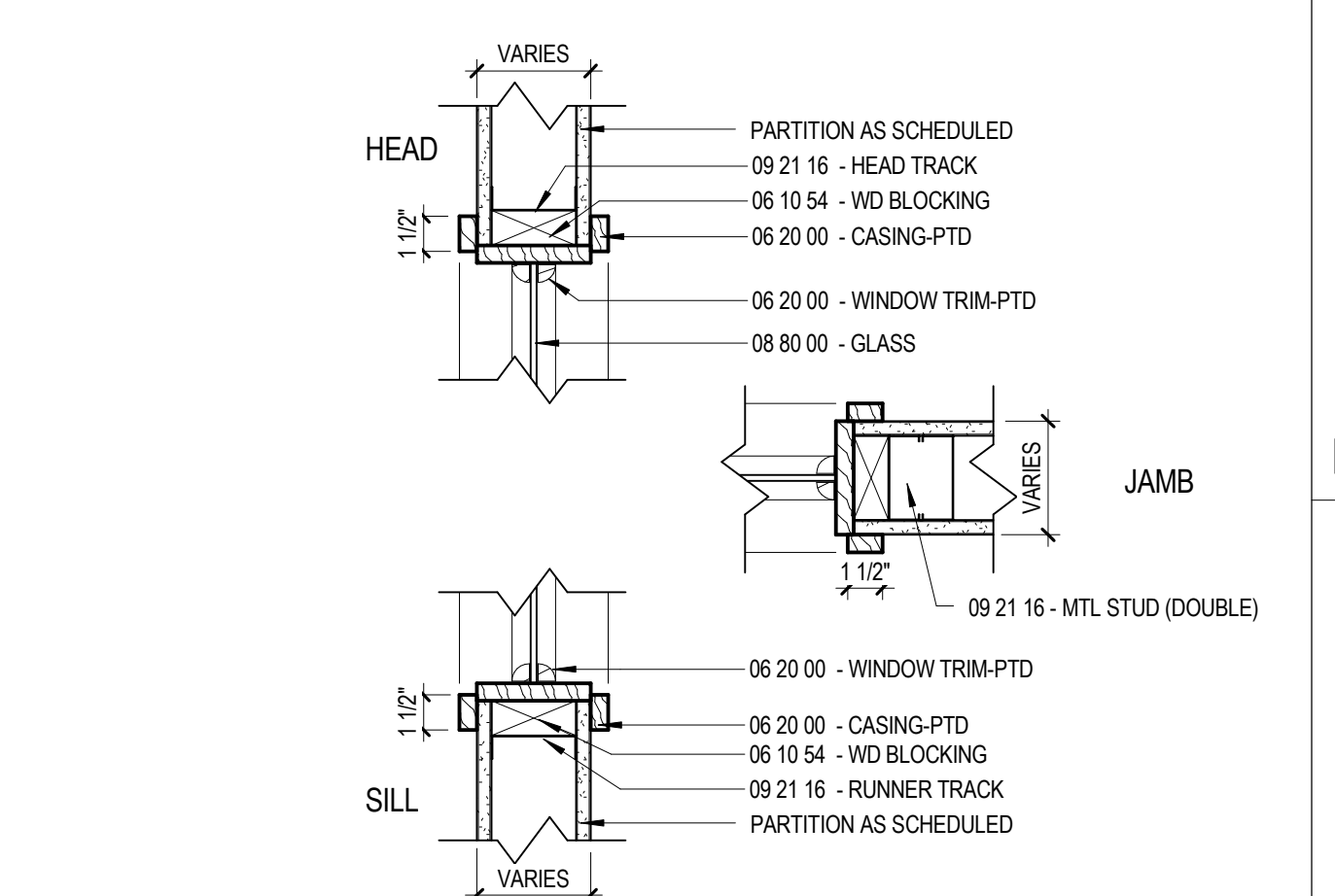
SF19 INTERIOR STOREFRONT
A0.4B 1/4" = 1'-0"



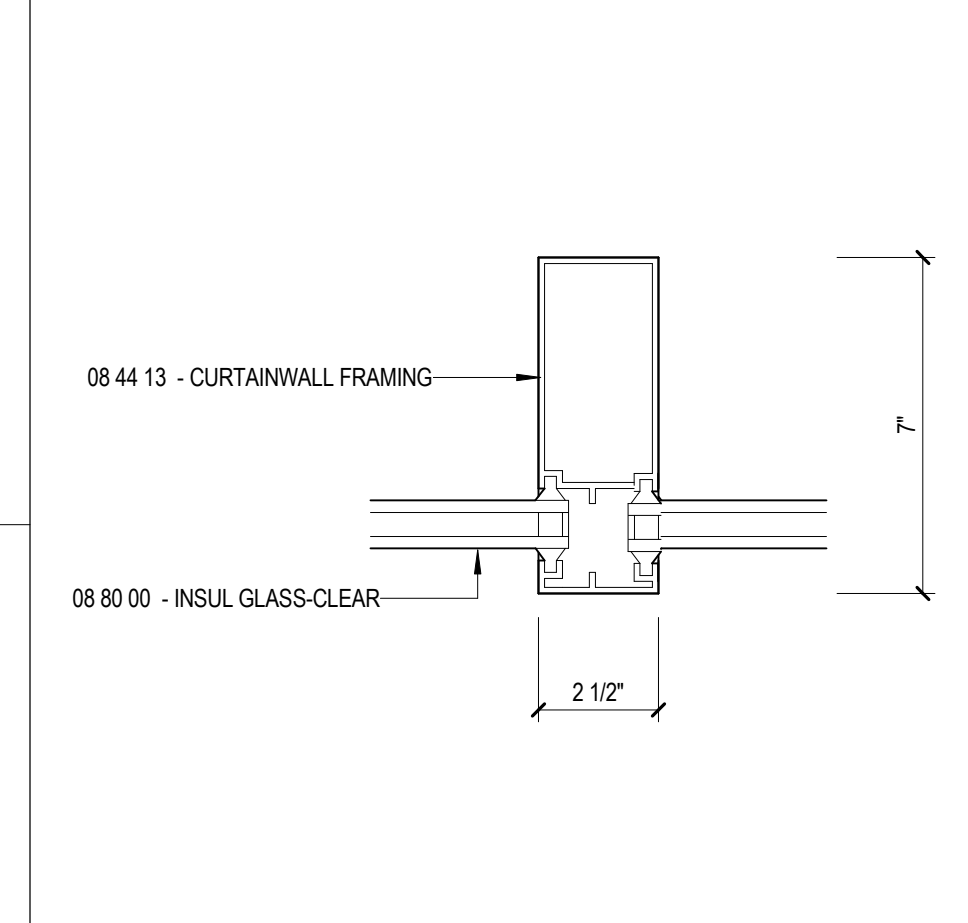
SF20 INTERIOR STOREFRONT
A0.4B 1/4" = 1'-0"



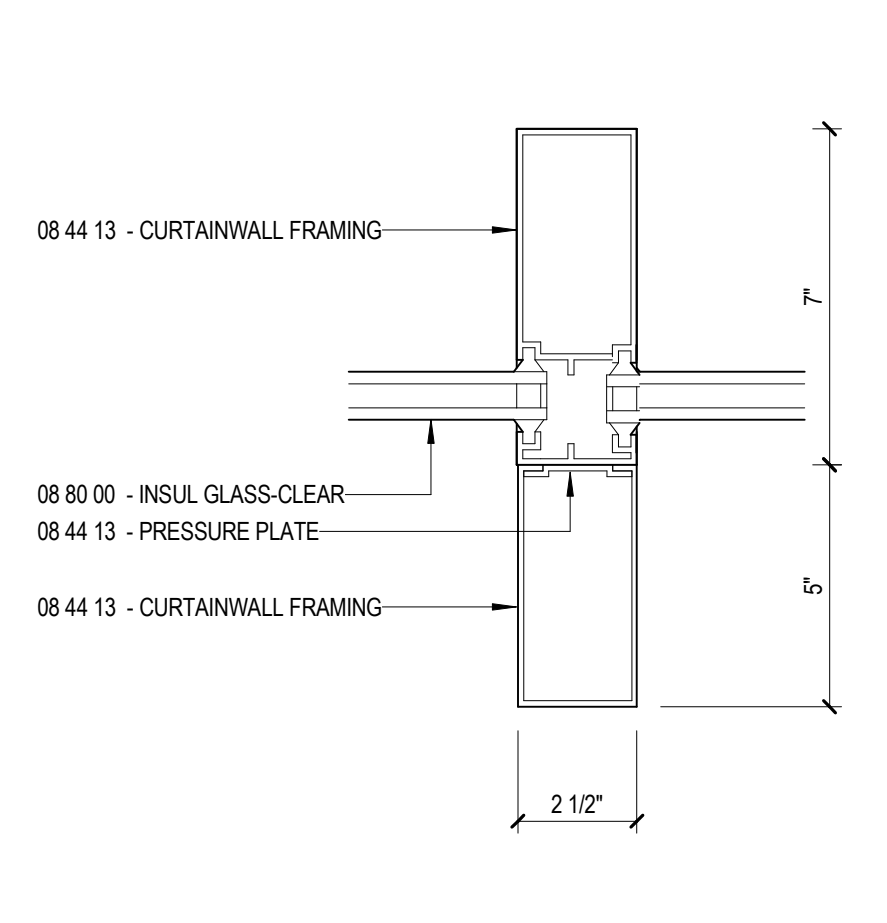
E12 WINDOW WOOD INTERIOR HEAD-JAMB-SILL @ METAL STUD
A0.4B 1/2" = 1'-0"



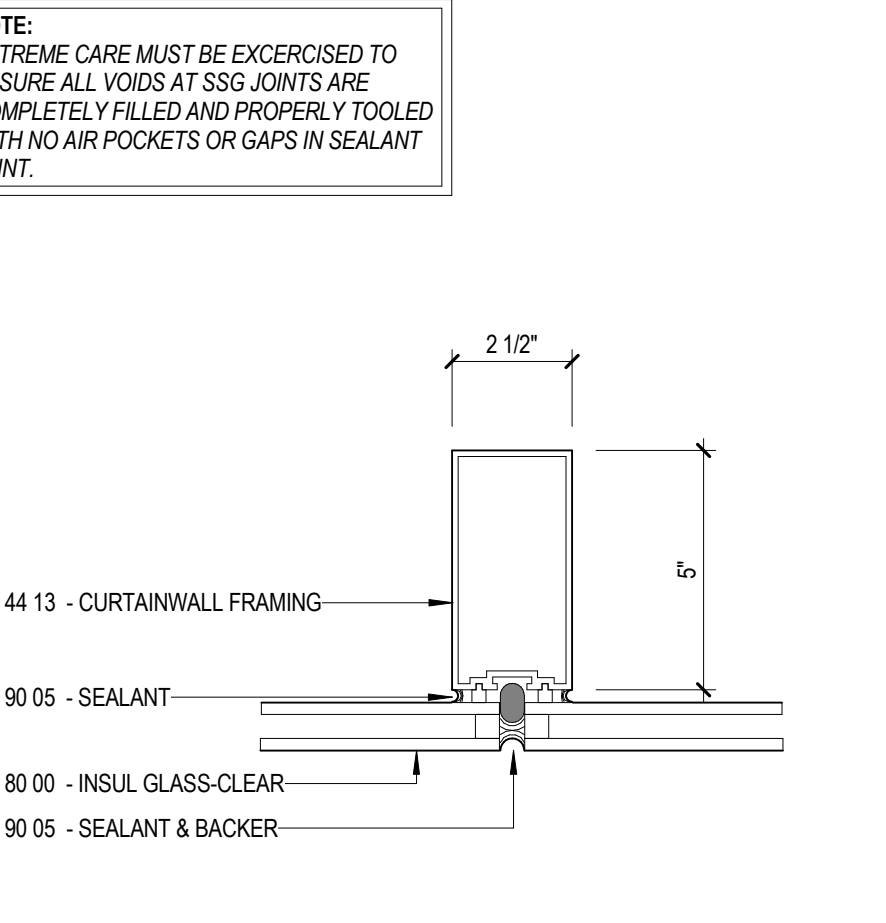
E13 WINDOW WOOD INTERIOR HEAD-JAMB-SILL @ METAL STUD
A0.4B 1/2" = 1'-0"



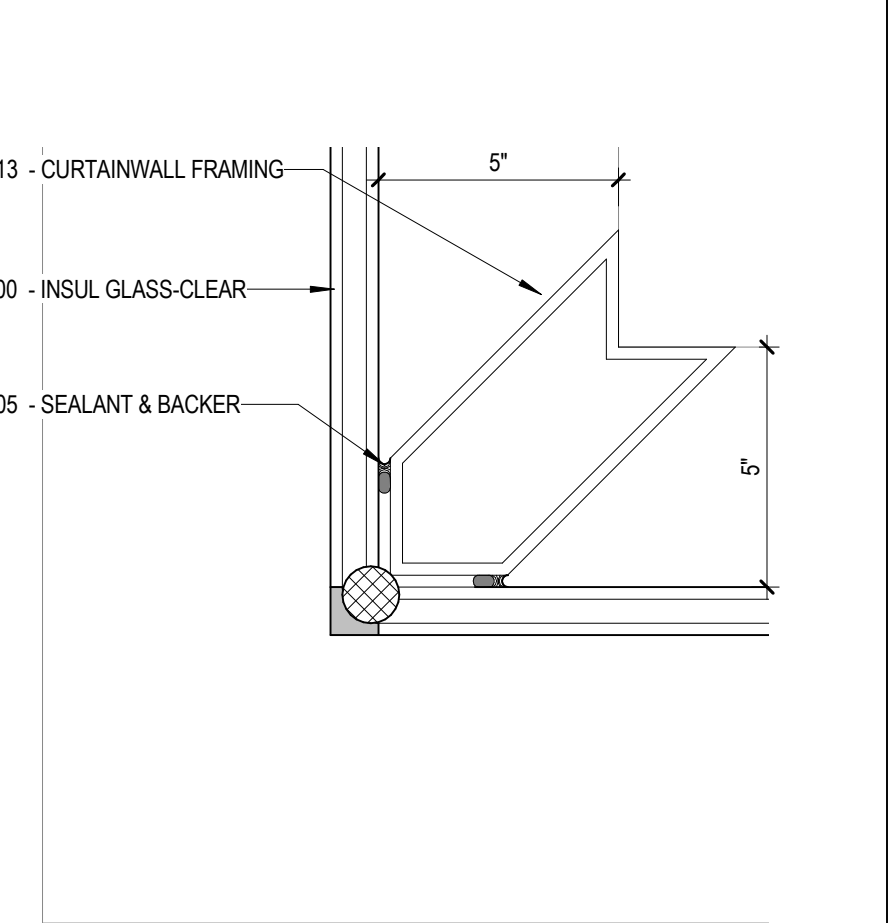
G1 CURTAIN WALL PROFILE TYPE 1
A0.4B 3" = 1'-0"



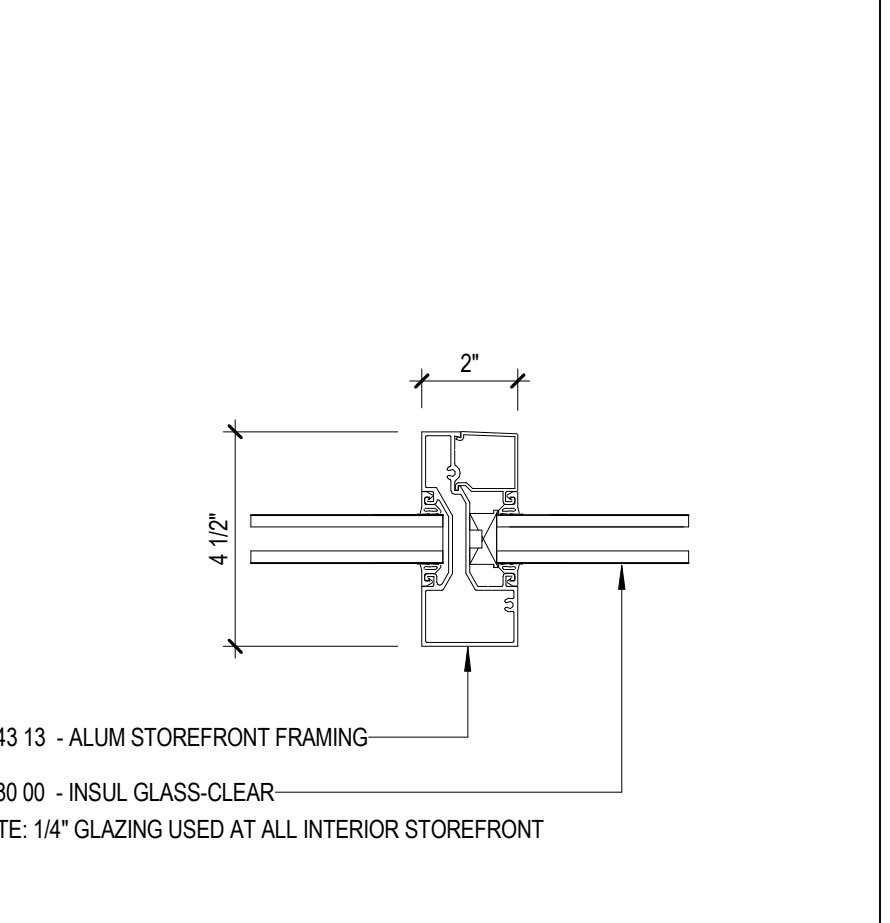
G3 CURTAIN WALL PROFILE TYPE 2
A0.4B 3" = 1'-0"



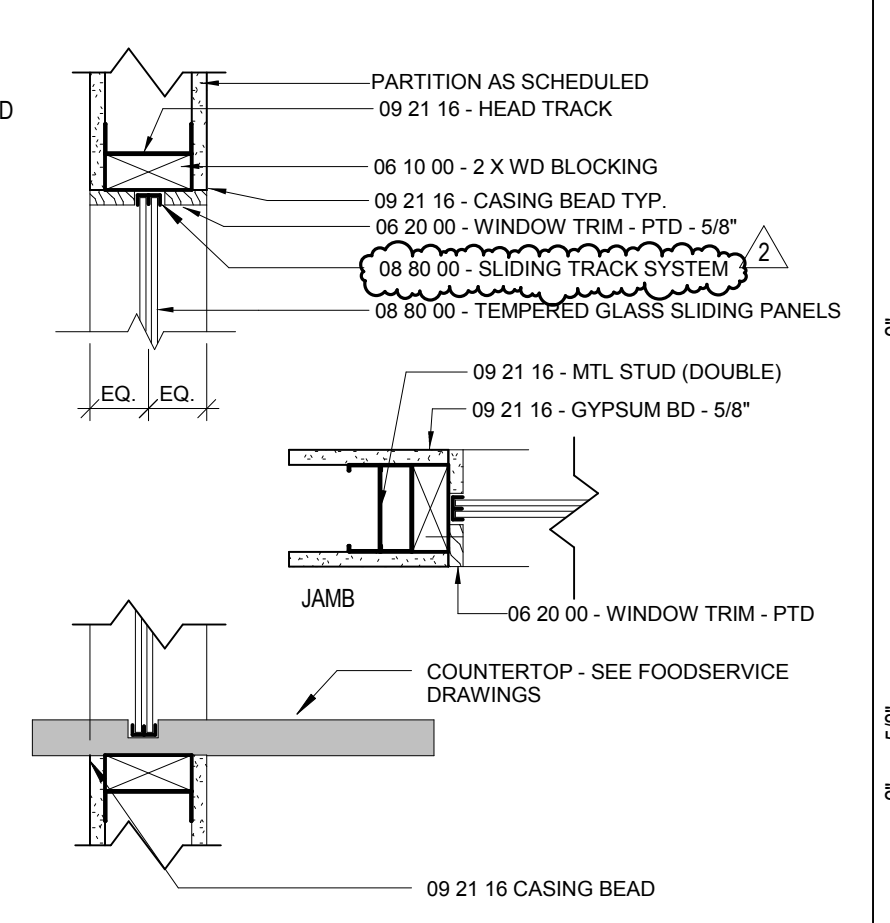
G5 CURTAIN WALL PROFILE TYPE 3
A0.4B 3" = 1'-0"



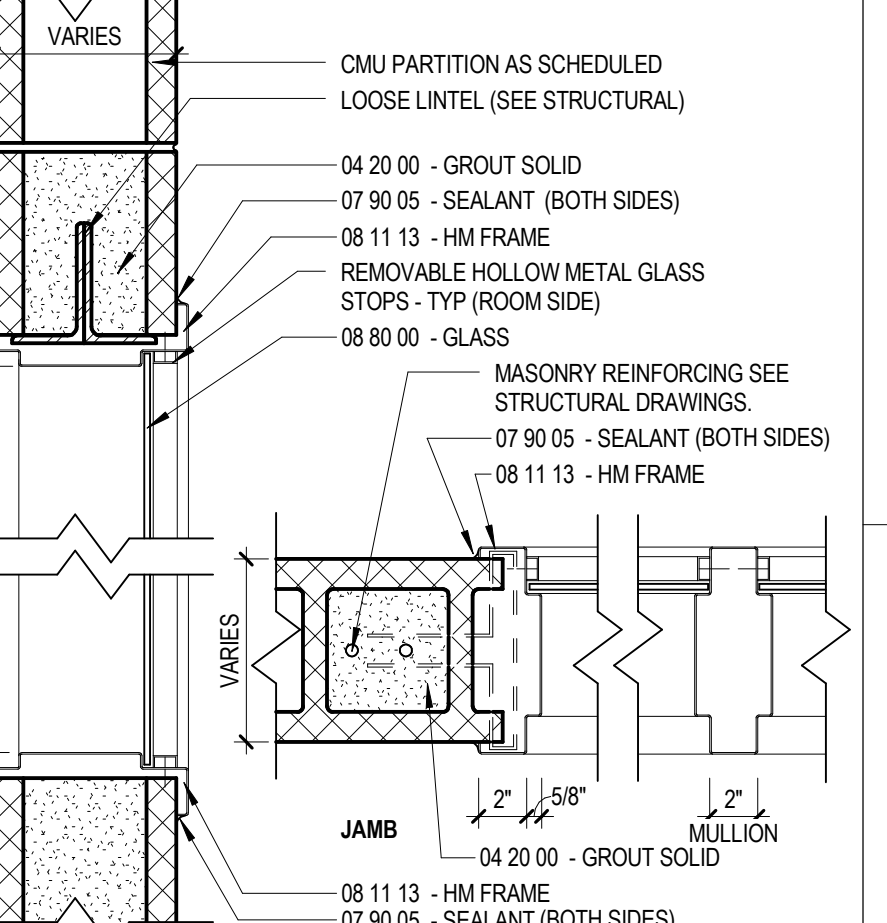
G7 CURTAIN WALL CORNER GLAZING
A0.4B 3" = 1'-0"



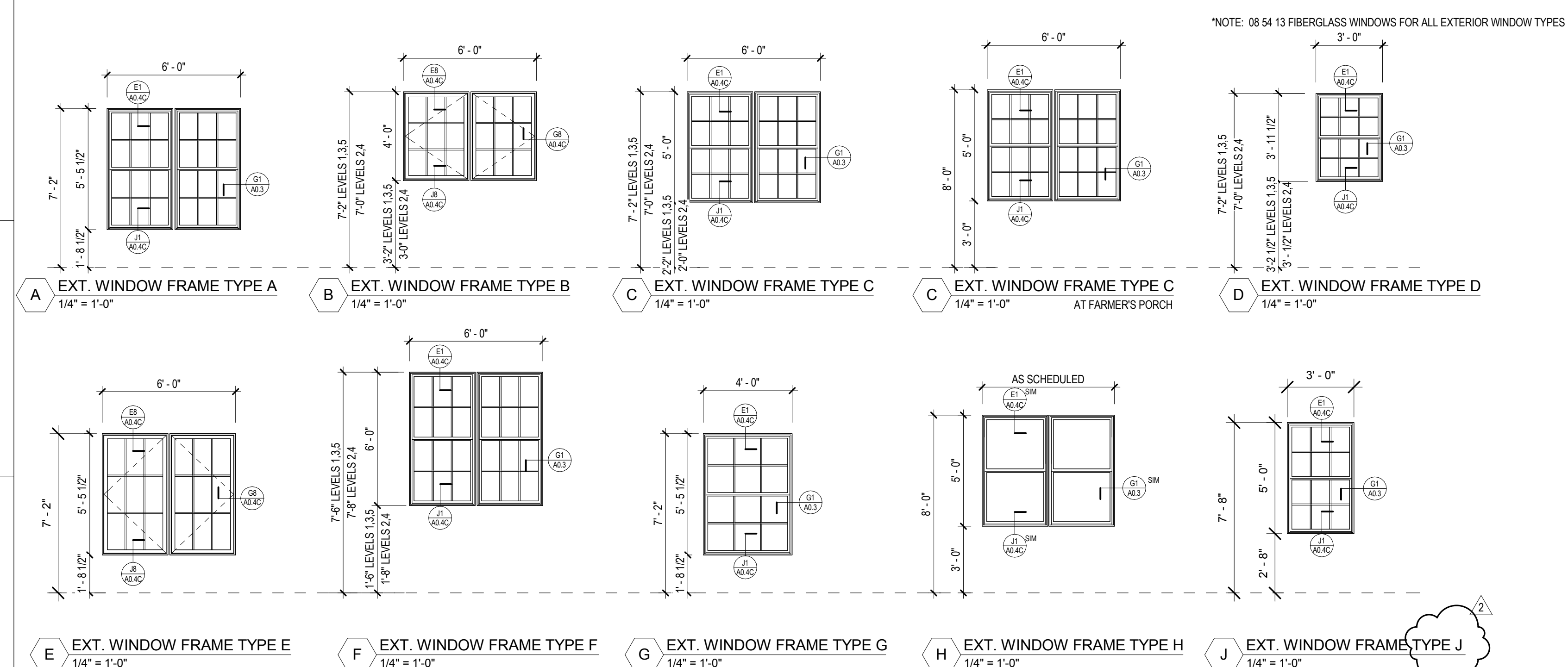
G9 STOREFRONT PROFILE TYPE 1
A0.4B 3" = 1'-0"



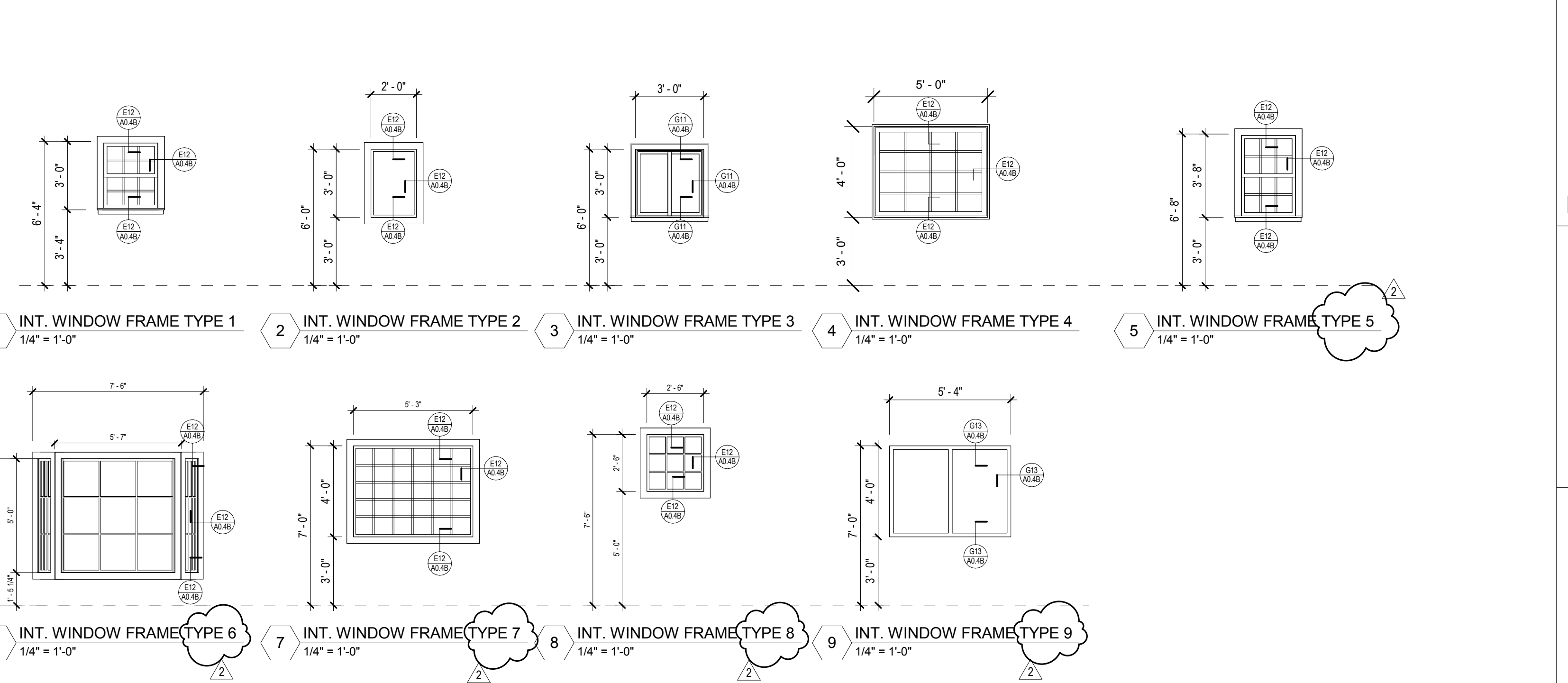
G11 HEAD, SILL, & JAMB @ WOOD INTERIOR WINDOW
A0.4B 1 1/2" = 1'-0"



G13 HM FRAME HEAD, SILL & JAMB DETAILS at INTERIOR LITE (VERTICAL DIVIDER) (CMU)
A0.4B 1 1/2" = 1'-0"



WINDOW TYPES EXTERIOR
A0.4B 1/4" = 1'-0"



DOOR - WINDOW TYPES INTERIORS
A0.4B 1/4" = 1'-0"

The Park Danforth

RENOVATIONS AND ADDITIONS

777 Stevens Ave
Portland, ME 04103

NO.	DESCRIPTION	DATE
2	Addendum #2	06/25/15

CONTENT: WINDOW TYPES	
DRAWN BY:	KM
PROJECT NO.:	13-059-00
DATE:	06/05/2015
REVISED:	
SCALE:	As indicated
A0.4B	
Project Phase 100% CONSTRUCTION DOCUMENTS	
COPYRIGHT © 2015 BY LAVALLEE BRENSINGER PROFESSIONAL ASSOCIATION. ALL RIGHTS RESERVED. NO REPRODUCTION WITHOUT PERMISSION.	