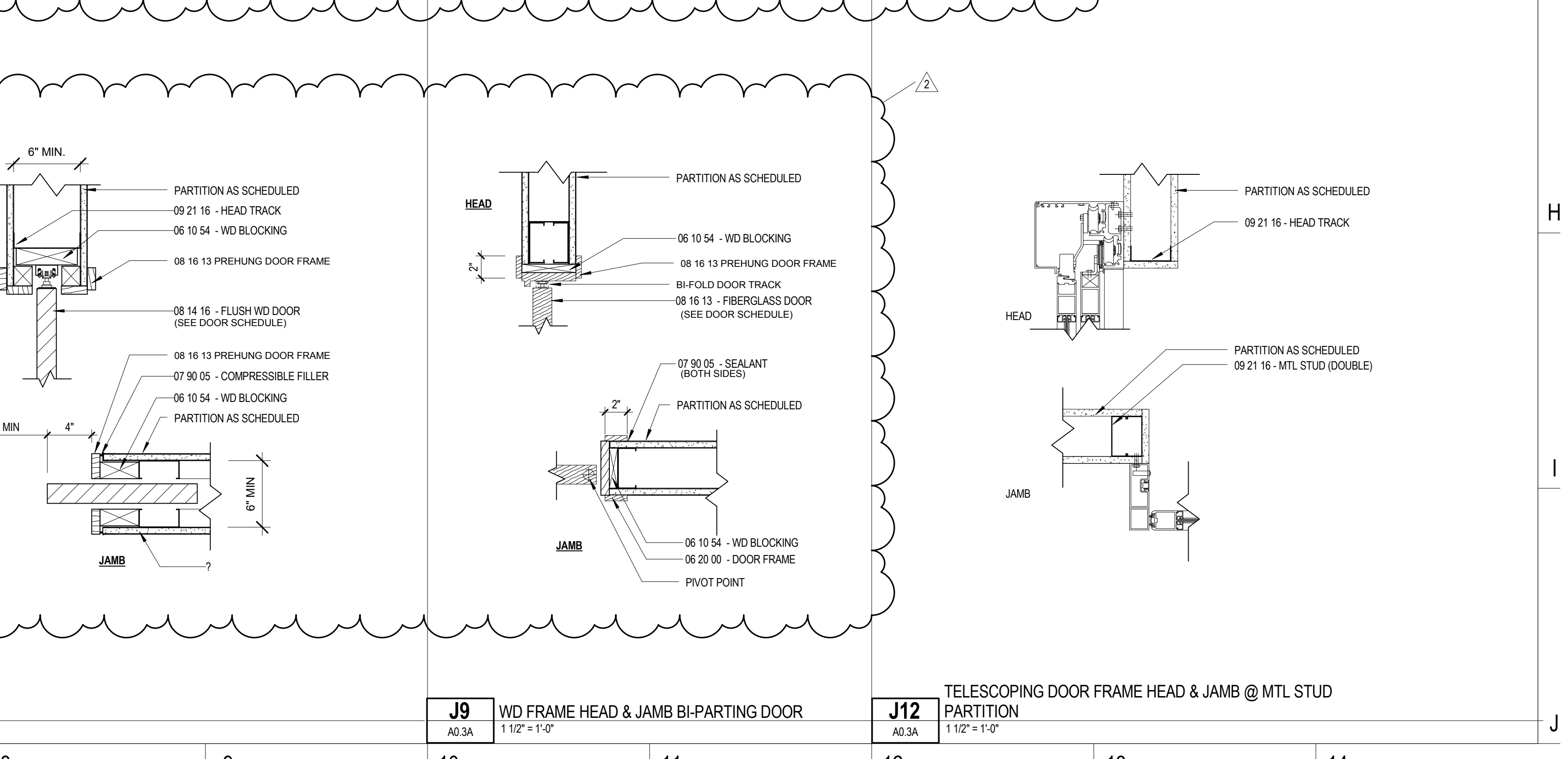
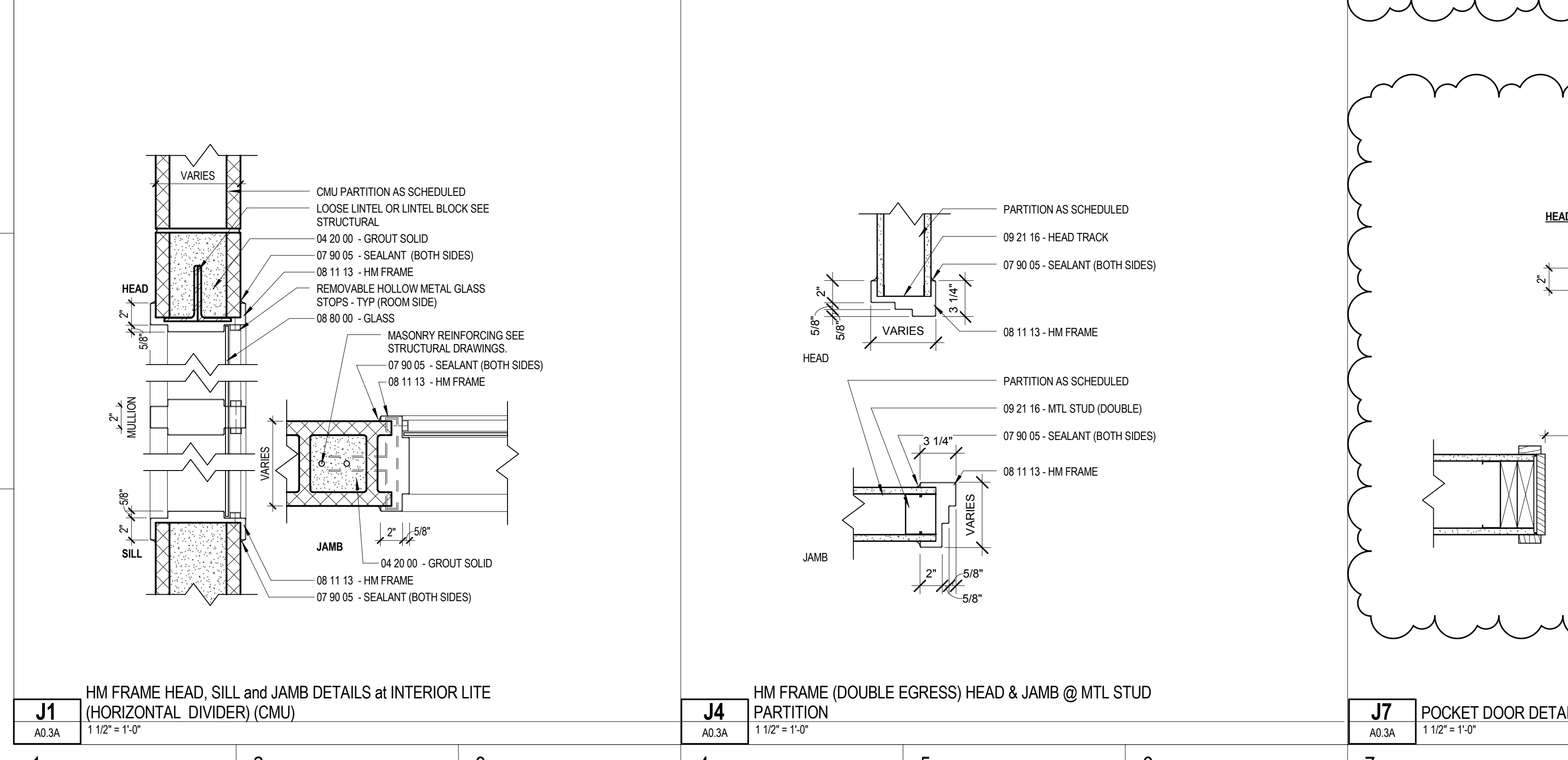
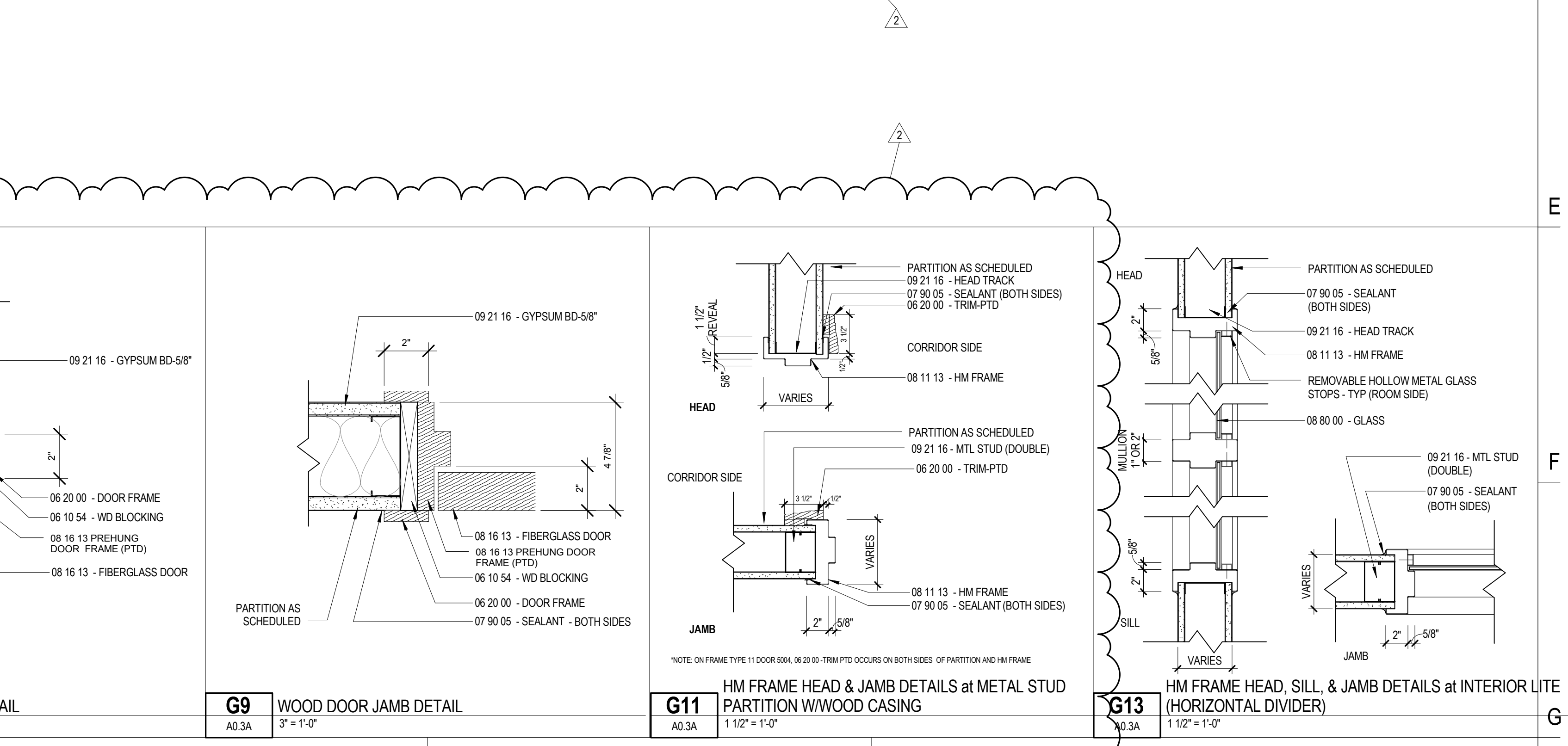
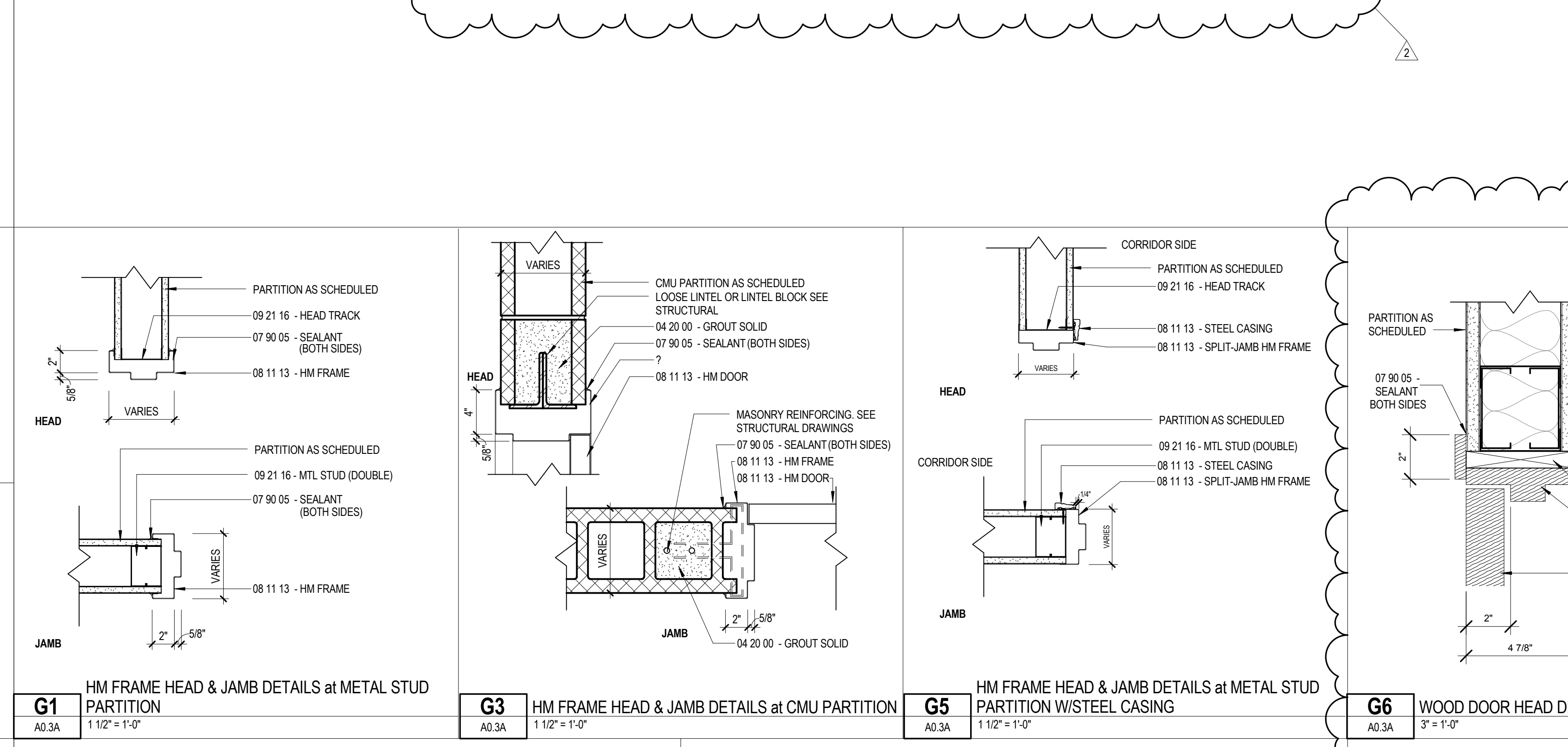


The Park Danforth

RENOVATIONS AND ADDITIONS

777 Stevens Ave
 Portland, ME 04103

NO.	DESCRIPTION	DATE
2	Addendum #2	06/25/15



CONTENT:
 DOOR AND FRAME TYPES & 1-1/2" DETAILS

DRAWN BY: KM
 PROJECT NO: 13-659-00
 DATE: 06/05/2015
 REVISED:
 SCALE: As indicated

A0.3A

Project Phase
100% CONSTRUCTION DOCUMENTS

COPYRIGHT © 2015 BY LAVALLEE|BRENSINGER PROFESSIONAL ASSOCIATION. ALL RIGHTS RESERVED. NO REPRODUCTION WITHOUT PERMISSION.