

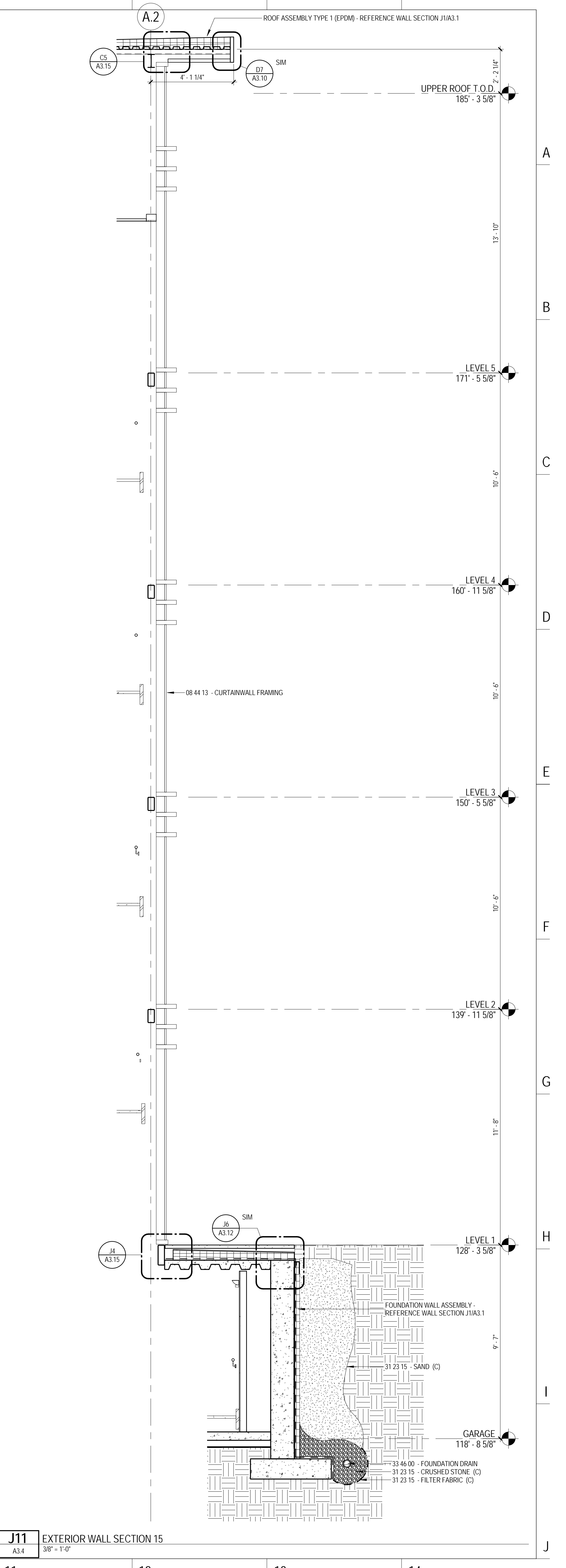
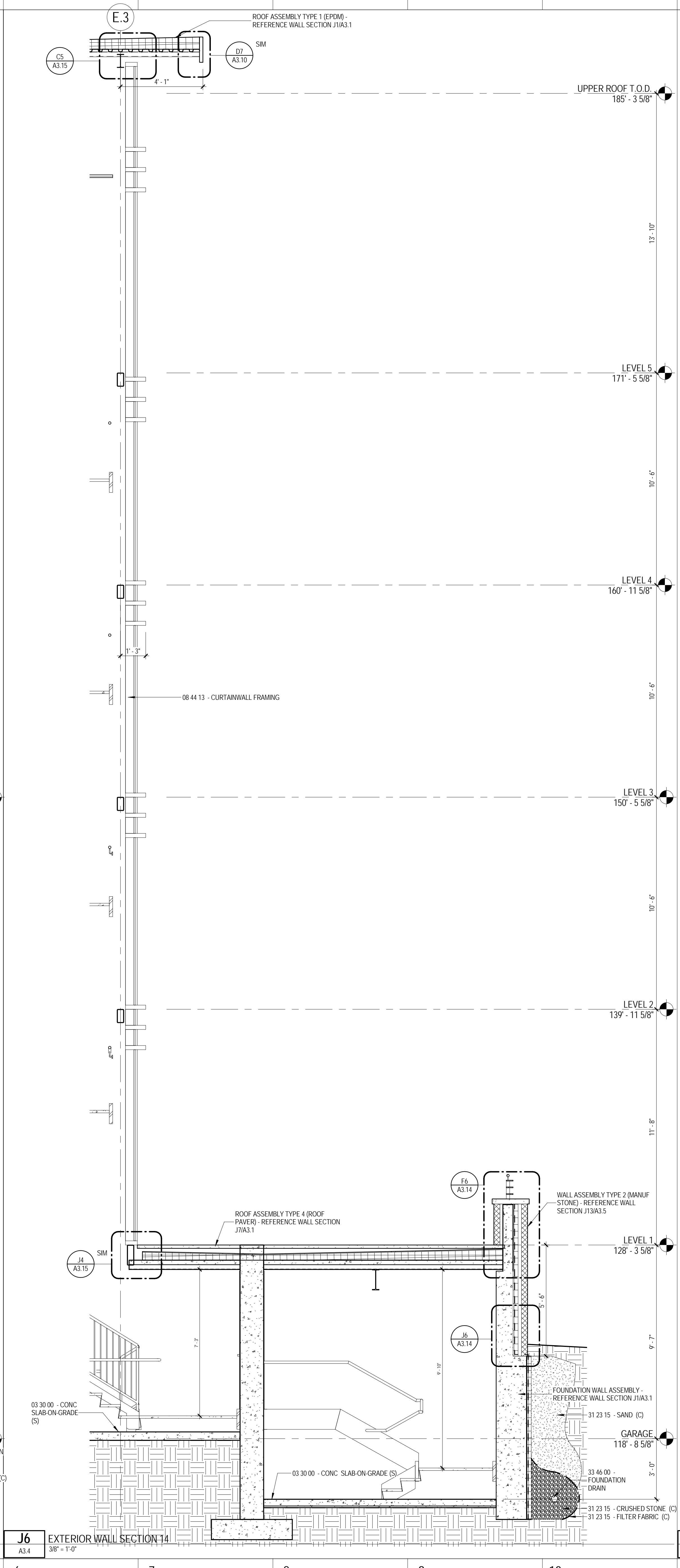
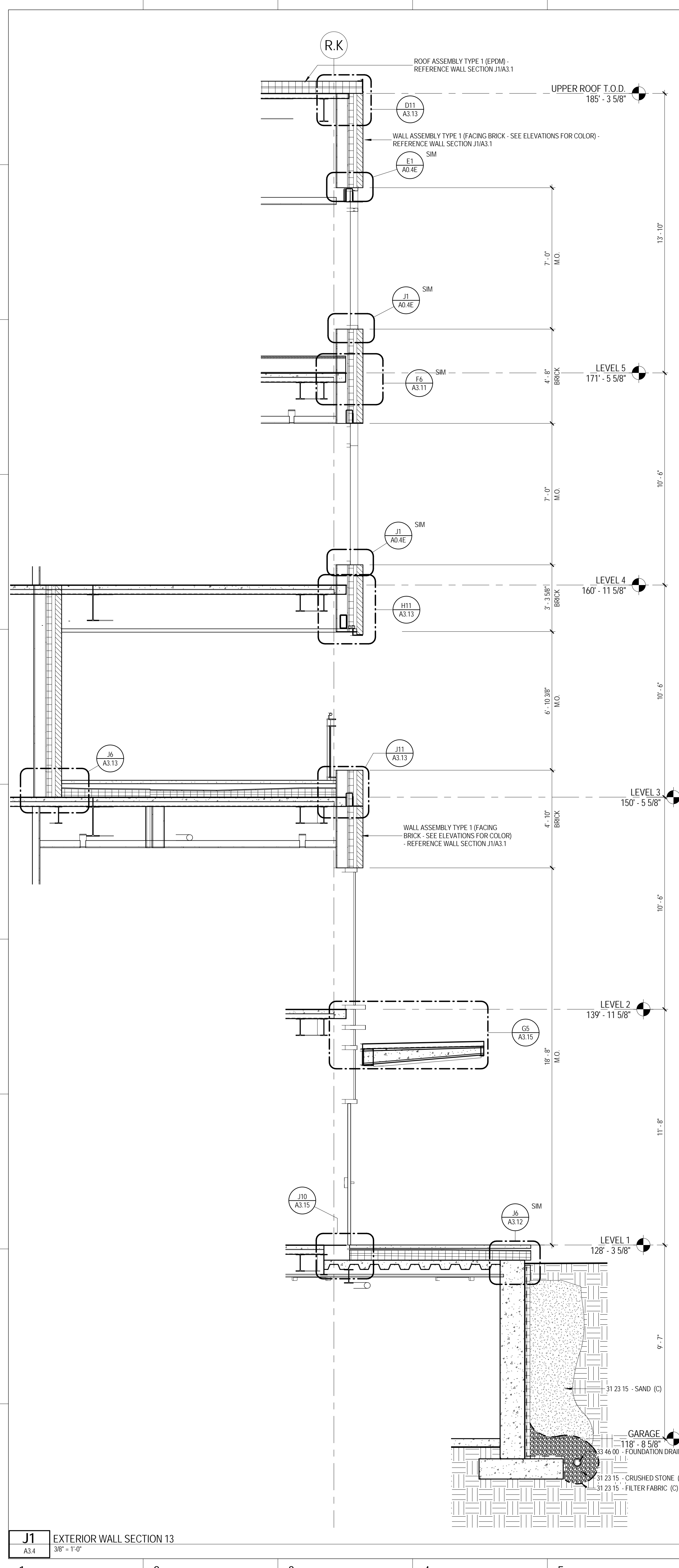
The Park Danforth

**RENOVATIONS AND ADDITIONS**

777 Stevens Ave  
 Portland, ME 04103

NO.	DESCRIPTION	DATE

CONTENT:	
WALL SECTIONS	
DRAWN BY:	KM
PROJECT NO:	13-059-00
DATE:	06/05/2015
REVISED:	
SCALE:	3/8" = 1'-0"
<b>A3.4</b>	
Project Phase	
100% CONSTRUCTION DOCUMENTS	
<small>COPYRIGHT © 2015 BY LAVALLEE BRENSINGER PROFESSIONAL ASSOCIATION. ALL RIGHTS RESERVED. NO REPRODUCTION WITHOUT PERMISSION.</small>	



C:\Projects\13-059-00\_The Park Danforth\_RTE\_06-05-2015\_Scans\Immersed.dwg  
 6/10/2015 3:51:24 PM