

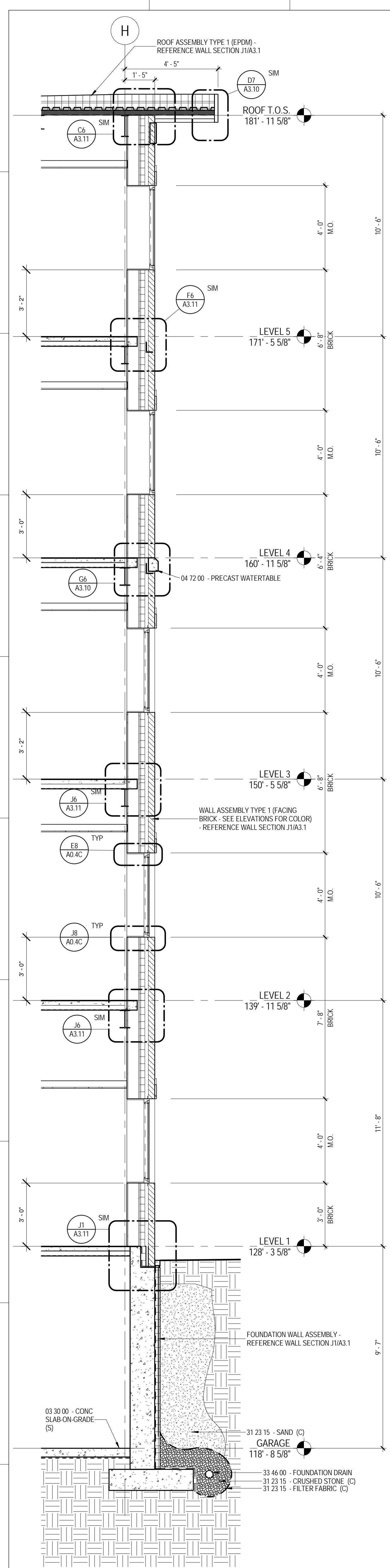
The Park Danforth

RENOVATIONS AND ADDITIONS

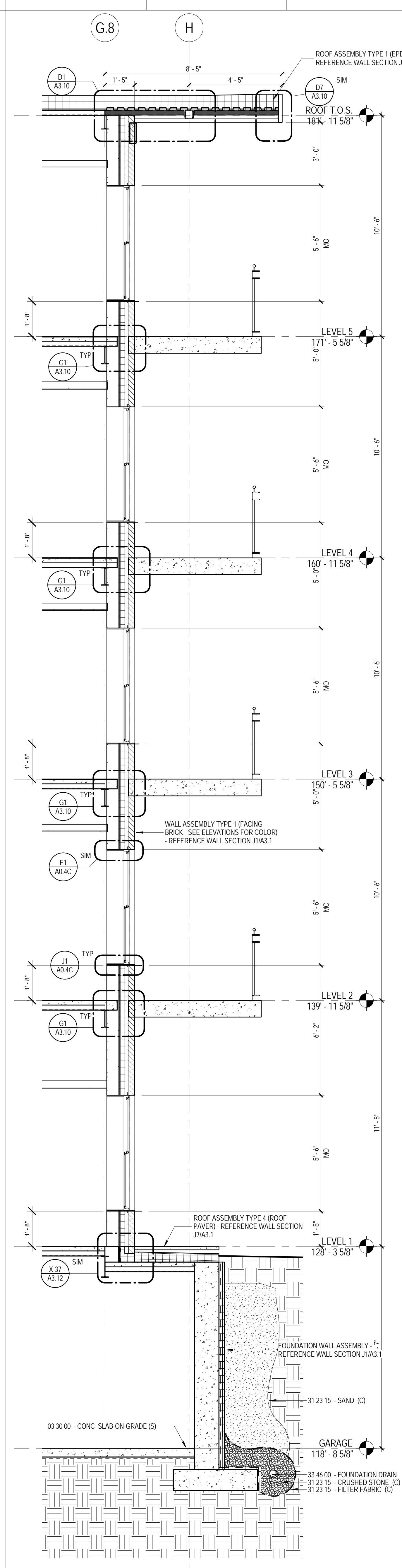
777 Stevens Ave
 Portland, ME 04103

NO.	DESCRIPTION	DATE

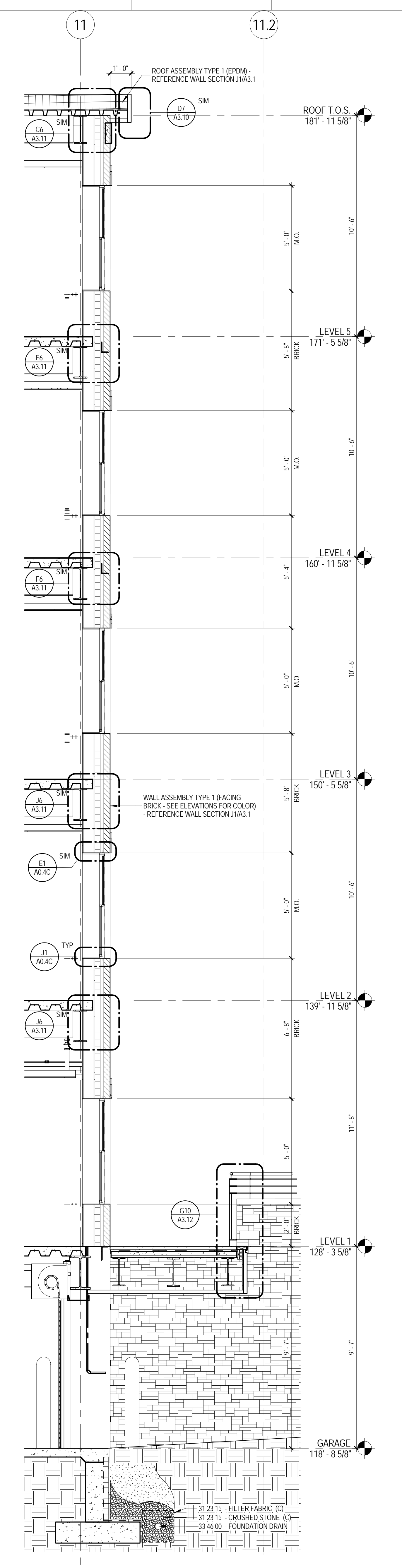
CONTENT: WALL SECTIONS	
DRAWN BY:	KM
PROJECT NO:	13-059-00
DATE:	06/05/2015
REVISED:	
SCALE:	3/8" = 1'-0"
A3.2	
Project Phase 100% CONSTRUCTION DOCUMENTS	
<small>COPYRIGHT © 2015 BY LAVALLEE BRENSINGER PROFESSIONAL ASSOCIATION. ALL RIGHTS RESERVED. NO REPRODUCTION WITHOUT PERMISSION.</small>	



J1 EXTERIOR WALL SECTION 5
 A3.2 3/8" = 1'-0"



J4 EXTERIOR WALL SECTION 6
 A3.2 3/8" = 1'-0"



J7 EXTERIOR WALL SECTION 7
 A3.2 3/8" = 1'-0"



J10 EXTERIOR WALL SECTION 8
 A3.2 3/8" = 1'-0"

C:\Projects\13-059-00_The Park Danforth_RFI_06-05-2015_SouthImmune.rvt
 6/10/2015 3:51:12 PM