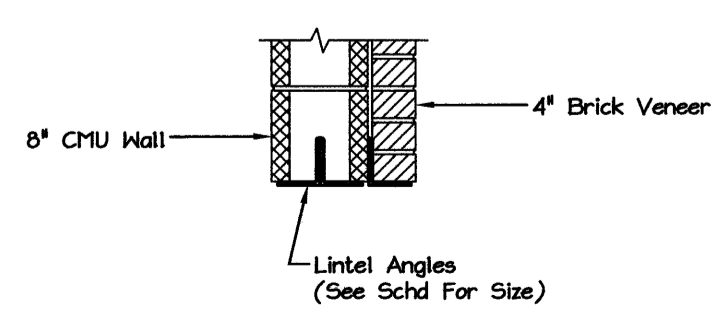


LINTEL SCHEDULE		
MASONRY OPENING	LINTEL SIZE	MIN. BEARING AT EACH END
UP TO 3'-0"	L3 1/2 x 3 1/2 x 3/8	4"
3'-1" TO 4'-6"	L4 x 3 1/2 x 3/8 (4" LEG VERT.)	6"
4'-7" TO 6'-0"	L5 x 3 1/2 x 3/8 (5" LEG VERT.)	8"
6'-1" TO 8'-0"	L6 x 3 1/2 x 3/8 (6" LEG VERT.)	8"
8'-1" TO 12'-0"	L7 x 4 x 3/8 (7" LEG VERT.)	8"

NOTES:

- Provide Lintels Over All New Openings.
- Provide One Angle For Each 4" Of Wall Thickness.
- All Exterior Lintels Shall Be Galvanized By The Hot Dip Process.



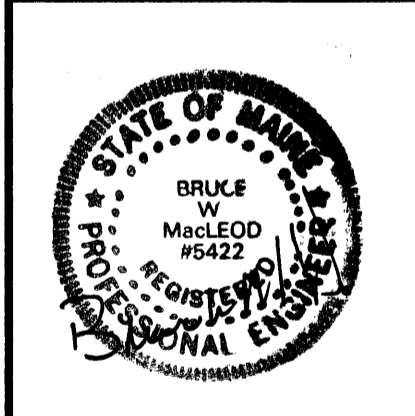
CURRENT REVISION	
DATE	DESCRIPTION

STARBUCKS
1080 FOREST AVE.
OWNER: STEPHEN MARDIGAN

PORTLAND
MAINE

MacLeod Structural Engineers, P.A.
404 Main Street
Columbia, Maine 04038
phone: (207) 839-0980
fax: (207) 839-0982

Copyright © 2006 MacLeod Structural Engineers, P.A.
Reproduction of this document without the written consent of MacLeod Structural Engineers, P.A. is prohibited.



ME License 05422 MA License 45530
NH License 10991 VT License 08244
CT License 23651 RI License 07910
NY License 61302 NJ License 02450335

THIS DRAWING IS ISSUED
 For Present
DATE: 07/28/06

This Drawing Shall Be Considered A "Contract Document" ONLY When It Possesses The Engineer's Seal & Signature. Otherwise It Shall Be Considered A "Progress Print - Not For Construction"

DRN BY: DMB
CHKD BY: EWM
DATE: 07/28/06
SCALE: As Noted
PROJ. NO: 2006-220

SHEET TITLE:
ROOF FRAMING DETAILS
S-4 OF 11