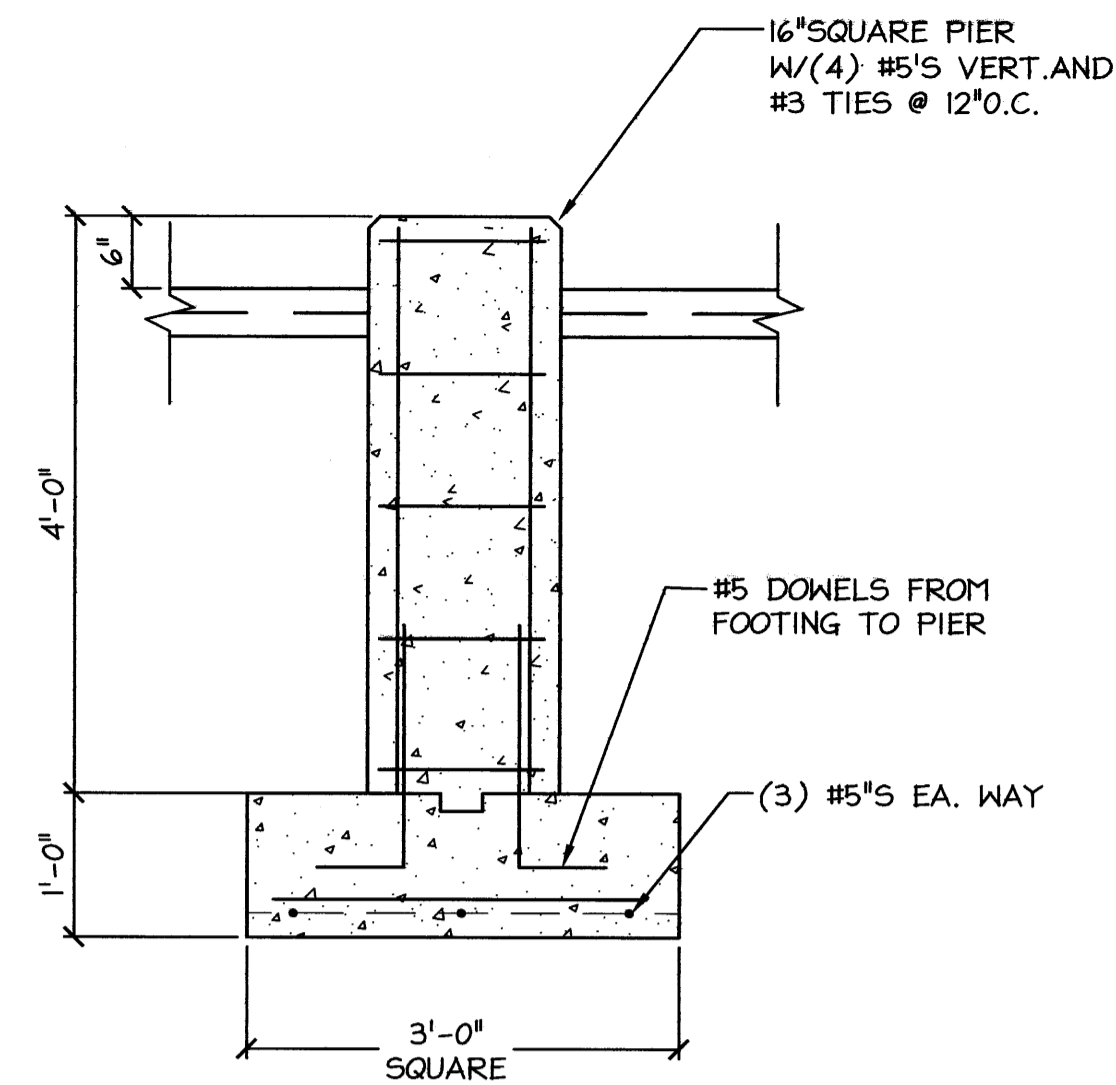
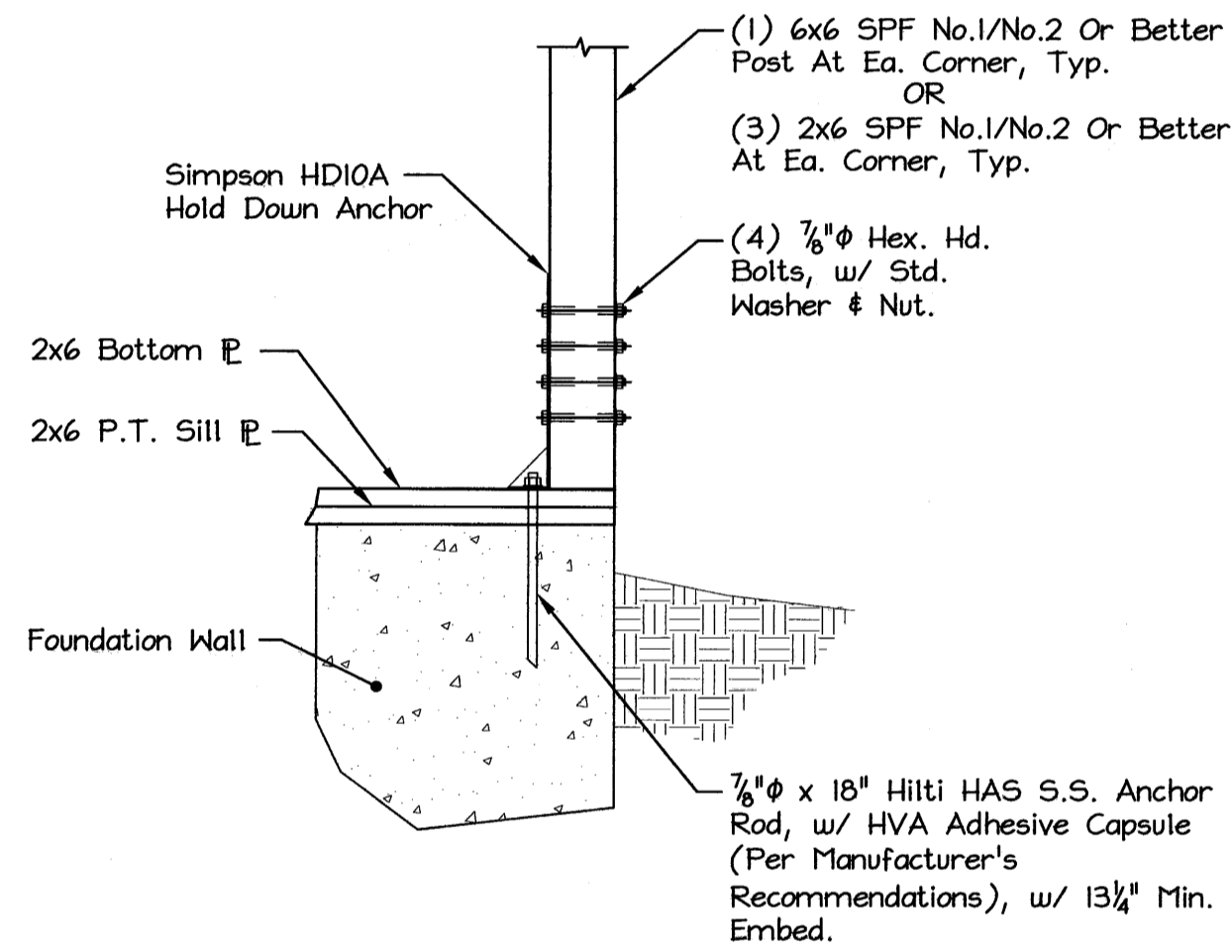


SECTION F1 TYPICAL FDN WALL  
SCALE: 3/4" = 1'-0"

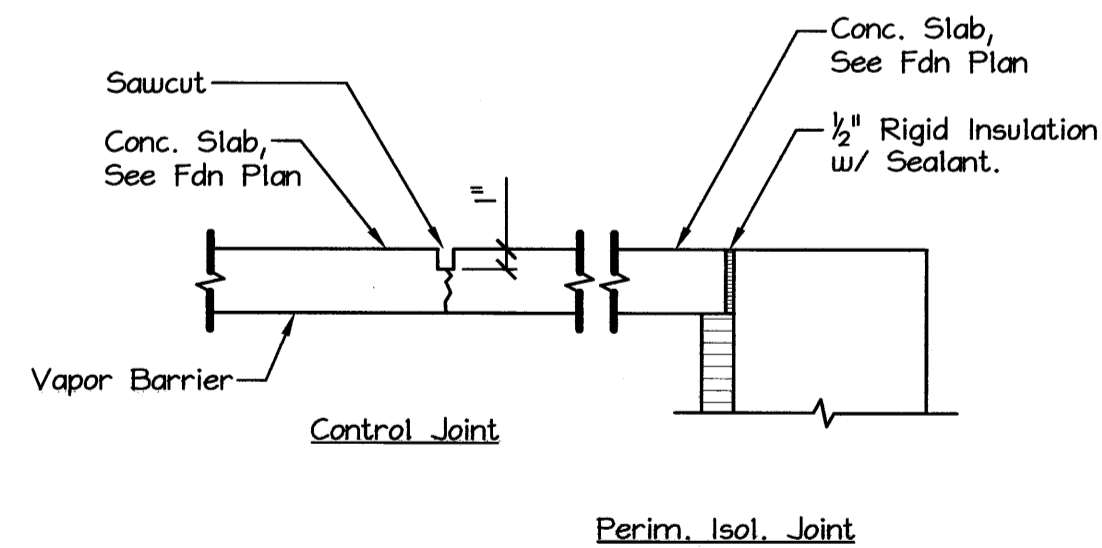


SECTION F2 TYPICAL FDN WALL  
SCALE: 3/4" = 1'-0"

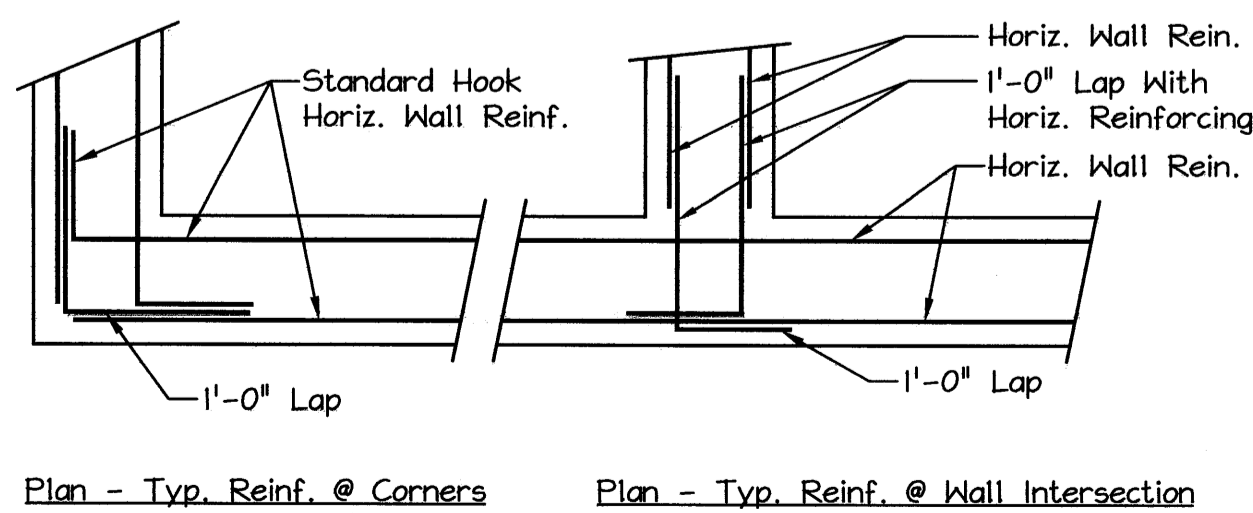
NOTE: Attach All Non-Pressure Treated To Pressure Treated Lumber With "HEAVY GALVANIZED FASTENERS ONLY", Typical.



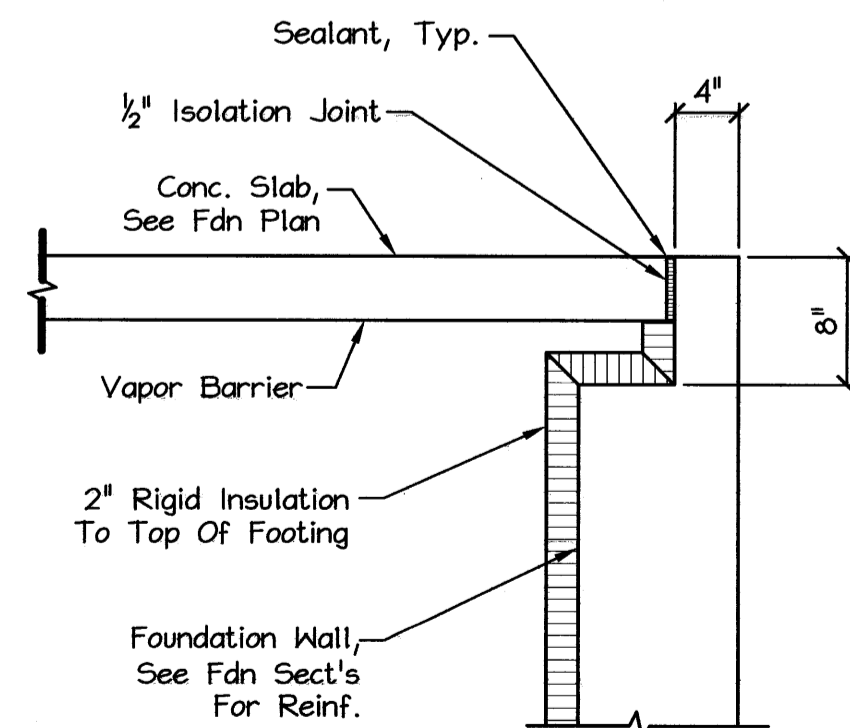
DETAIL (HD1) - SIMPSON HD10A HOLD DOWN ANCHOR  
SCALE: 3/4" = 1'-0"



DETAIL - TYPICAL FLOOR JOINTS  
SCALE: NOT TO SCALE



DETAIL - TYPICAL WALL REINFORCING  
SCALE: NOT TO SCALE

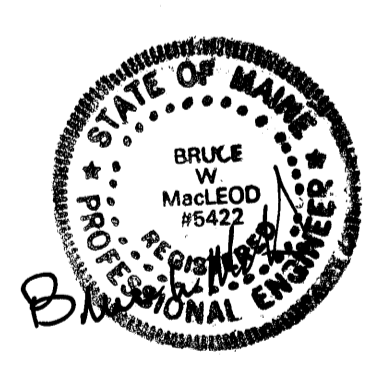


DETAIL - TYP SECTION @ EXT. SLAB ON GROUND MAN DOORS  
SCALE: NOT TO SCALE

CURRENT REVISION	
#	DATE

STARBUCKS  
1080 FOREST AVE.  
OWNER: STEPHEN MARDIGAN

MacLeod Structural Engineers, PA  
404 Main Street  
Canton, Maine 04038  
phone: (207) 839-0980  
fax: (207) 839-0982  
Copyright © 2006 MacLeod Structural Engineers, P.A.  
Reproduction of this document without the written consent of MacLeod Structural Engineers, P.A. is prohibited.



ME License 05422 MA License 45530  
NH License 10991 VT License 08244  
CT License 23651 RI License 07910  
NY License 81302 NJ License 0245035

THIS DRAWING IS ISSUED  
 For Permit  
DATE: 07/28/06  
This Drawing Shall Be Considered A "Contract Document" ONLY When It Possesses The Engineer's Seal & Signature. Otherwise It Shall Be Considered A "Progress Print - Not For Construction"

DRN BY: DMB  
CHKD BY: EWM  
DATE: 07/28/06  
SCALE: As NOTED  
PROJ. NO: 2006-220

SHEET TITLE:  
FOUNDATION DETAILS