








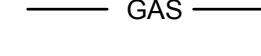

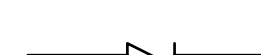

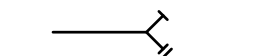
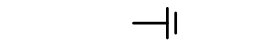





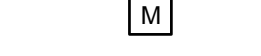




ABBREVIATIONS

3PL	THIRD PARTY LOGISTICS
AFF	ABOVE FINISHED FLOOR
AHJ	AUTHORITIES HAVING JURISDICTION
APPROX	APPROXIMATE
BLDG	BUILDING
CLG	CEILING
CONST	CONSTRUCTION
CW	DOMESTIC COLD WATER
CXA	COMMISSIONING AGENT
DEG	DEGREES
DTL	DETAIL
DN	DOWN
DWG(S)	DRAWING(S)
EA	EACH
EC	ELECTRICAL CONTRACTOR
ELEC	ELECTRICAL
EM	EMERGENCY
(E) OR (EX)	EXISTING
EXT	EXTERIOR
FD	FLOOR DRAIN
FS	FLOOR SINK
F&I	FURNISH & INSTALL
FLR	FLOOR
FPHB	FREEZE PROOF HOSE BIBB
FPT	FEMALE PIPE THREAD
FT	FOOT/FEET
FCO	FLOOR CLEANOUT
GC	GENERAL CONTRACTOR
GFCI	GROUND FAULT CIRCUIT INTERRUPTER
GW	GREASE WASTE
HB	HUB DRAIN
HR	HOUR
HVAC	HEATING, VENTILATION, AND AIR CONDITIONING
HW	HOT WATER
HS	HANDSINK
HWS	HOT WATER SUPPLY
HWR	HOT WATER RETURN
ID	INSIDE DIAMETER
LL	LANDLORD
LV	LOW VOLTAGE
MAX	MAXIMUM
MECH	MECHANICAL
MC	MECHANICAL CONTRACTOR
MDP	MAIN DISTRIBUTION PANEL
MEP	MECHANICAL, ELECTRICAL, AND PLUMBING
MFG	MANUFACTURER
MIN	MINIMUM
MS	MOP SINK
NL	NIGHTLIGHT
NTS	NOT TO SCALE
OD	OUTSIDE DIAMETER
PC	PLUMBING CONTRACTOR
PS	PREP SINK
POC	POINT OF CONNECTION
PM	PROJECT MANAGER
REF	REFERENCE
REQ(D)	REQUIRED(D)
REV	REVISION
SHT	SHEET
SPECS	SPECIFICATION(S)
SF	SQUARE FEET
SOV	SHUTOFF VALVE
SST	STAINLESS STEEL
TEL	TELEPHONE
TEMP	TEMPORARY
TFP	TYPICAL
TMV	TEMPERATURE MIXING VALVE
TW	TEMPERED HOT WATER
UNO	UNLESS NOTED OTHERWISE
V	VENT
W	SANITARY WASTE
WH	WATER HEATER
WP	WEATHER PROOF
WCO	WALL CLEANOUT
YCO	YARD CLEANOUT (EXTERIOR)

PLUMBING SYMBOL LEGEND

	S OR W	SANITARY OR GREASE WASTE PIPING
	V	VENT PIPING
	CD	CONDENSATE DRAIN
	CW	COLD WATER PIPING
	HW	HOT WATER PIPING
	CWF	COLD WATER FILTERED
	CSW	COLD SOFTENED WATER
	TW	TEMPERED WATER
	G	GAS PIPING
	BV	BALL VALVE
	GV	GATE VALVE
	CH. V	CHECK VALVE
	RV	RELIEF VALVE
	HB	HOSE BIBB
	WCO	WALL CLEANOUT
	FCO	FLOOR CLEANOUT
	FD	FLOOR DRAIN (SQUARE)
	FD	FLOOR DRAIN (ROUND)
	HD	HUB DRAIN
	FS	FLOOR SINK (SQUARE)
	FS	FLOOR SINK (ROUND)
	WM	WATER METER
	POC	CONNECT TO EXISTING

EXISTING PIPING SHOWN IN A LIGHTER SHADE.

GENERAL PLUMBING NOTES

- PLUMBING CONTRACTOR SHALL COORDINATE WITH THE GENERAL CONTRACTOR TO PATCH AND REPAIR ALL EXISTING WALLS, FLOORS, CEILING OR OTHER SURFACES IDENTIFIED TO REMAIN THAT MAY BECOME DAMAGED DURING THE COURSE OF WORK.
- EXPOSED/SURFACE MOUNTED PIPING IS ONLY ALLOWED IN THE BAR AREA UNDER COUNTERTOPS, WHERE IT DOES NOT OBSTRUCT CABINETS/DEVICES AND WHERE APPROVED BY STARBUCKS CONSTRUCTION MANAGER. IF ROUTED THROUGH CABINETS, IT SHALL BE ROUTED TO MAXIMIZE STORAGE SPACE AND BE PROTECTED FROM DAMAGE.
- DRAWINGS ARE DIAGRAMMATIC AND INDICATE GENERAL INTENT OR ARRANGEMENT OF SYSTEM(S). FURNISH AND INSTALL ALL COMPONENTS NEEDED WHETHER INDICATED OR NOT TO PROVIDE A COMPLETE AND OPERATING SYSTEM. OVERALL CASEWORK COMPONENT DIMENSIONING ON PLUMBING DETAILS ARE SHOWN FOR REFERENCE AND COORDINATION ONLY.
- CONTRACTOR TO VERIFY ALL DIMENSIONS, INCLUDING CLEARANCES REQUIRED BY OTHER TRADES, AND NOTIFY STARBUCKS CONSTRUCTION MANAGER OF ANY DISCREPANCIES PRIOR TO PROCEEDING WITH THE WORK. ALL DIMENSIONS ARE TO THE FACE OF THE FINISHED SURFACE UNLESS NOTED OTHERWISE. ALL DIMENSIONS TO BE TAKEN FROM ACTUAL BUILDING DIMENSIONS.
- THE PLUMBING CONTRACTOR SHALL COORDINATE PLUMBING WORK WITH OTHER TRADES. THE ARCHITECTURAL DRAWINGS AND SPECIFICATIONS SHALL TAKE PRECEDENCE OVER ALL OTHER DRAWINGS. SEE ARCHITECTURAL DRAWINGS FOR FIXTURES IN CASEWORK AND PLUMBING DETAILS. SEE SPECIFICATION SHEETS FOR PLUMBING SPECIFICATION SECTIONS.
- ALL PIPING AND/OR PLUMBING DEVICES SHALL BE SUPPORTED FROM STRUCTURE (NOT FROM HVAC DUCTS OR OTHER PIPES/CONDUITS).
- REFER TO OUTLINE SPECIFICATIONS FOR PLUMBING SPECIFICATION SECTIONS.

VALVES

GENERAL
PLUMBING CONTRACTOR TO PROVIDE VALVES WHERE INDICATED ON PLANS AND AS NECESSARY FOR PROPER SYSTEM OPERATION AND COMPONENT ISOLATION. SEE SPECIFICATIONS FOR TYPES. INSTALL VALVES FOR EACH FIXTURE AND ITEM OF EQUIPMENT.
PROVIDE BRAIDED STAINLESS STEEL HOSE (UNLESS OTHERWISE NOTED) BETWEEN VALVE AND EQUIPMENT IN ACCORDANCE WITH MANUFACTURER'S SPECIFICATIONS. LOCATE SHUT-OFF VALVES ADJACENT TO EQUIPMENT FOR EASY ACCESS SUCH THAT VALVES CAN BE REACHED WITHOUT MOVING EQUIPMENT. SHUT OFF VALVES TO BE BALL TYPE. VALVES SHALL BE LISTED/APPROVED FOR USE PER AUTHORITIES HAVING JURISDICTION (AHJ) AND CODE REQUIREMENTS. PROVIDE VALVE IDENTIFICATION PER THE SPECIFICATIONS FOR MAIN WATER SERVICE SHUT-OFF AND ANY OTHER VALVES WHICH ARE NOT CLEARLY EVIDENT WHAT THEY SERVE.

SUPPLY WATER SERVICE
IF WATER PRESSURE SUPPLIED TO STORE IS GREATER THAN AND 65 PSI, THEN PROVIDE A PRESSURE REGULATOR IN MAIN SUPPLY TO REDUCE WATER PRESSURE. PROVIDE BACKFLOW PREVENTION ON WATER SERVICE IF REQUIRED BY LOCAL CODES.

THERMOSTATIC MIXING VALVE
PROVIDE A SINGLE THERMOSTATIC MIXING VALVE (TMV) LOCATED AT HOT WATER TANK AND SET FOR 110° (OR AS REQUIRED BY AHJ) TO SERVE HAND SINKS. MIXING VALVE TO BE INSTALLED PER MANUFACTURER'S REQUIREMENTS WITH CHECK VALVES AT SUPPLY INLETS. PROVIDE THERMOMETER ON OUTLET OF TMV. SEE SPECIFICATIONS FOR REQUIREMENTS.

PIPING

SOIL, WASTE, AND VENT PIPING
SEE SPECIFICATIONS FOR PIPE MATERIALS. ALL HORIZONTAL RUNS SHALL DRAIN AT A GRADE OF 1/4" PER FOOT (2MM PER METER) WHERE POSSIBLE BUT IN NO CASE LESS THAN 1/8" PER FOOT (10MM PER METER) WHERE ALLOWED & SIZED PER AHJ AND CODE. INDIRECT DRAIN LINES ARE TO MAINTAIN MIN. 1" (25MM) AIR GAP ABOVE FLOOR SINKS. PROVIDE PIPED DRAIN (P-TRAP AND VENT) TO SANITARY IF REQUIRED BY LOCAL JURISDICTION.

COORDINATE WITH LOCAL AUTHORITIES FOR DRAINAGE REQUIREMENTS FOR EQUIPMENT DESIGNATED WITH INDIRECT WASTE TO FLOOR SINKS. PROVIDE PIPED DRAIN (P-TRAP AND VENT) TO SANITARY IF REQUIRED BY LOCAL JURISDICTION.

CONDENSATE DRAINAGE PIPING
THE PLUMBING CONTRACTOR SHALL PROVIDE CONDENSATE DRAINS FOR AIR HANDLING UNITS AND STARBUCKS EQUIPMENT (REFER TO SCHEDULE). CONDENSATE DRAINAGE PIPING SHALL BE TYPE "M" COPPER TUBING WITH WROUGHT COPPER SWEAT FITTINGS JOINED WITH 50/50 SOLDER.

HANGERS AND SUPPORTS
THE PLUMBING CONTRACTOR SHALL FURNISH ALL PIPE SUPPORTS REQUIRED FOR EQUIPMENT AND MATERIAL IN ACCORDANCE WITH SPECIFICATIONS. ALL HORIZONTAL RUNS OF PIPING SHALL BE SUPPORTED BY PIPE HANGERS INSTALLED AS REQUIRED BY LOCAL CODES. ADDITIONAL SUPPORTS SHALL BE PROVIDED WHERE REQUIRED TO PREVENT SAGGING.

CONNECTIONS
INSTALL UNIONS ADJACENT TO EACH VALVE AND AT FINAL CONNECTION TO EACH PIECE OF EQUIPMENT. INSTALL DIELECTRIC COUPLINGS TO CONNECT PIPING MATERIALS OF DISSIMILAR METALS.

CLEANOUTS
PROVIDE FLOOR AND WALL CLEANOUTS AS INDICATED ON THE DRAWINGS OR WHERE REQUIRED BY CODE IN ALL SOIL, WASTE, AND DRAIN LINES. SEE SPECIFICATIONS FOR TYPES. CLEANOUTS SHALL BE SAME SIZE AS PIPE EXCEPT THAT CLEANOUTS LARGER THAN 4" WILL NOT BE REQUIRED.

INSTALLATION
INSTALL PIPING FREE OF SAGS AND BENDS. PROVIDE BRACKET STANDOFFS FROM MOUNTING SURFACES SUFFICIENT TO ALLOW 1" (25MM) OF CLEANING SPACE ALL AROUND PIPING, INCLUDING ANY ADDED PIPING INSULATION. INSTALL FITTINGS FOR CHANGES IN DIRECTION AND BRANCH CONNECTIONS. INSTALL SLEEVES FOR PIPES PASSING THROUGH CONCRETE AND MASONRY WALLS, GYPSUM BOARD PARTITIONS, CONCRETE FLOOR AND ROOF SLABS. SEAL PIPE PENETRATIONS THROUGH RATED CONSTRUCTION WITH FIRE STOPPING SEALANT MATERIAL PER CODE REQUIREMENTS. DO NOT INSTALL PEX PIPING IN RATED WALLS OR THROUGH RATED FLOORS. INSTALL PER MANUFACTURER'S INSTRUCTIONS AND ENSURE PROPER PROTECTION OF PEX PIPING FROM METAL EDGES. UNDERGROUND WATER AND SEWER LINES SHALL BE LAID IN SEPARATE TRENCHES WITH A MINIMUM HORIZONTAL SPACING AS REQUIRED BY CODE. EXCAVATED TO THE PROPER DEPTH AND GRADED TO PRODUCE THE REQUIRED FALL.

TESTING
ALL PIPES SHALL BE TESTED BY AN APPROVED METHOD BEFORE THEY ARE BACKFILLED OR CONCEALED. AFTER TESTING IS COMPLETE, THE PLUMBING CONTRACTOR SHALL DISINFECT THE POTABLE WATER SYSTEM AS REQUIRED BY LOCAL AUTHORITY. TEST WATER PURITY ACCORDING TO LOCAL REQUIREMENTS AND SUBMIT CERTIFIED TEST RESULTS TO ENGINEER FOR REVIEW AND APPROVAL.

IDENTIFICATION
PROVIDE PIPE IDENTIFICATION EVERY 10 FT (EXCEPT WHERE PIPES ARE EXPOSED TO PUBLIC) IN ACCORDANCE WITH SPECIFICATIONS.

CARBONATION

STARBUCKS CARBONATION VENDOR WILL PROVIDE AND INSTALL EQUIPMENT, CO2 TANKS AND FITTINGS. STARBUCKS SHALL PROVIDE AND CONTRACTOR SHALL INSTALL CO2 TANK MOUNTING BRACKET, PROTECTIVE SHELVING UNIT AND CO2 GAS TUBING AS SHOWN ON DRAWINGS AND PER MANUFACTURER'S INSTRUCTIONS. MAXIMUM TUBING LENGTH INCLUDING COILED ENDS IS 100 FT (30 M) AND MAXIMUM BEND IS TO 3 INCH (75 MM) MINIMUM RADIUS. ROUTE CO2 TUBING PREFERABLY THROUGH WALL AND/OR CEILING CAVITIES, WITHOUT KINKS AND SO AS TO NOT TOUCH ANY HOT SURFACE (BALLAST, STEAM PIPE, ETC.) OR RUB AGAINST A SHARP EDGE THAT MAY ABRASE OR CUT TUBING. WHERE TUBING ROUTED THROUGH CONCEALED CAVITIES, PROVIDE A NON-FLEXIBLE CONDUIT SLEEVE SIZED TO ALLOW THE MINIMUM BENDING RADIUS STATED ABOVE AND TO ALLOW EASY REMOVAL OF TUBING. ALL HOLES MUST BE SEALED WITH A GROMMET OR ESCUTCHEON. TUBING IS TO BE SECURED TO APPROPRIATE PERMANENT SURFACES TO KEEP IT OFF THE FLOOR OR CABINET BOTTOMS AND AWAY FROM OTHER EQUIPMENT. LABEL BOTH ENDS OF TUBING AND REGULARLY AT TEN (10) FOOT INTERVALS ALONG ROUTE AS "CO2."

INSULATION

WATER PIPING
PROVIDE THERMAL INSULATION PER THE SPECIFICATIONS. UNLESS OTHERWISE REQUIRED BY THE LOCAL AUTHORITY OR ENERGY CODES, THE MINIMUM INSULATION LEVELS SHALL BE AS FOLLOWS.

PIPE SIZE (DIAMETER)		INSULATION THICKNESS
LESS THAN OR EQUAL TO 1 1/2" (38MM)	=	1" (24MM)
2" (51MM) OR GREATER	=	1 1/2" (38MM)

(INSULATION VALUE = K VALUE NOT EXCEEDING 0.27 BTU* INCH/(H*FT²*F)

SAFETY COVERS
INSTALL SPECIFIED NO SCALD SAFETY COVERS WITH INSULATED FOAM LINER AND TAMPER PROOF STRAP AS FURNISHED BY STARBUCKS AT ALL EXPOSED ADA SINK P-TRAPS AND WATER SUPPLIES.

PLUMBING FIXTURES

WATER HEATER
SIZE WATER HEATER PER STARBUCKS STANDARD AND PER AUTHORITIES HAVING JURISDICTION (AHJ), WHICHEVER IS MORE STRINGENT. PROVIDE A GLASS-LINED, ENERGY EFFICIENT, GAS FIRED (OR ELECTRIC EQUIVALENT) WATER HEATER (SEE SPECIFICATIONS). PROVIDE INSTALLATION COMPLETE WITH FITTINGS AS SHOWN IN THE DRAWINGS. SET HOT WATER TEMPERATURE AT 120°F OR AS REQUIRED BY AHJ. PROVIDE THERMOMETER ON HOT WATER PIPE LEAVING WATER HEATER.

WATER FILTRATION
STARBUCKS WATER FILTRATION VENDOR WILL PROVIDE FILTRATION SYSTEM. CONTRACTOR SHALL CONFIRM WITH STARBUCKS CONSTRUCTION MANAGER WHETHER VENDOR OR PLUMBING CONTRACTOR IS TO INSTALL FILTRATION SYSTEM. PROVIDE AND COORDINATE INSTALLATION COMPLETE WITH ALL PIPING, FITTINGS, AND EQUIPMENT AS INDICATED ON THE DRAWINGS.

CONNECTIONS
THE PLUMBING CONTRACTOR SHALL MAKE ALL FINAL CONNECTIONS TO EQUIPMENT INCLUDING REQUIRED MATERIAL SUCH AS PIPING, VALVES, FILTERS, TRAPS, CHECKS VALVES, VACUUM BREAKERS, AND FLEXIBLE AND RIGID TUBING.

SCHEDULES
REFER TO SCHEDULES ON DRAWINGS FOR A DESCRIPTION OF LISTED ITEMS AND FURNISH ANY AND ALL PLUMBING FIXTURES LISTED AS "GC". ANY DISCREPANCIES ABOUT WHO IS TO PROVIDE PLUMBING FIXTURES IN THE SCHEDULE SHALL BE BROUGHT TO STARBUCKS ATTENTION FOR CLARIFICATION. INSTALL ALL FIXTURES LISTED REGARDLESS OF WHO SUPPLIES.

HAND SINK
IF FAUCET HAS A TEMPERATURE LIMIT STOP, IT IS TO BE REMOVED SO THAT TEMPERED WATER FROM THE WATER HEATER IS NOT FURTHER REDUCED. HOT WATER 100° - 110° F (34° - 43° C) MUST BE ABLE TO REACH SINK WITHIN 15 SECONDS

UTILITY SINK
UTILITY SINKS ARE TO DELIVER A WATER TEMPERATURE RANGE OF 110° - 120° F (43° - 49° C)

GENERAL NOTES

SCOPE
THE INTENT OF THE SPECIFICATIONS AND THE DRAWINGS IS TO PROVIDE A COMPLETE AND FULLY OPERATIONAL PLUMBING SYSTEM. THE CONTRACTOR SHALL FURNISH ALL LABOR, MATERIAL, AND EQUIPMENT RELATED TO THE INSTALLATION OF THE PLUMBING WORK.

SITE EXAMINATION
THE CONTRACTOR SHALL THOROUGHLY EXAMINE ALL AREAS WHERE FIXTURES, EQUIPMENT, AND PIPING WILL BE INSTALLED AND WILL REPORT ANY CONDITION THAT, IN HIS OPINION, PREVENTS THE PROPER INSTALLATION OF THE PLUMBING WORK.

STANDARDS
EQUIPMENT AND MATERIALS SHALL CONFORM WITH THE APPROPRIATE PROVISIONS OF CSA, UL, ASME, ASTM, UL, NEMA, ANSI, ASHRAE, NFPA, AS APPLICABLE TO EACH INDIVIDUAL UNIT OR ASSEMBLY.

CODES
ALL WORK SHALL BE PERFORMED IN STRICT ACCORDANCE WITH ALL APPLICABLE PROVINCIAL AND LOCAL CODES AND ORDINANCES. IN CASE OF CONFLICT BETWEEN THE DRAWINGS AND SPECIFICATIONS AND THE CODES AND ORDINANCES, THE HIGHEST STANDARD SHALL APPLY. THE CONTRACTOR SHALL SATISFY CODE REQUIREMENTS AS A MINIMUM STANDARD WITHOUT ANY EXTRA COST TO STARBUCKS.

PERMITS AND FEES
THE CONTRACTOR SHALL PROCURE AND PAY FOR ALL PERMITS, FEES, AND INSPECTIONS NECESSARY TO COMPLETE THE PLUMBING WORK.

WARRANTY
THE CONTRACTOR SHALL UNCONDITIONALLY WARRANT ALL WORK TO BE FREE OF DEFECTS IN MATERIAL AND WORKMANSHIP FOR A PERIOD OF ONE (1) YEAR FROM THE DATE OF FINAL ACCEPTANCE BY STARBUCKS AND WILL REPAIR OR REPLACE ANY DEFECTIVE WORK PROMPTLY AND WITHOUT CHARGE AND RESTORE ANY OTHER EXISTING WORK DAMAGED IN THE COURSE OF REPAIRING DEFECTIVE MATERIALS AND WORKMANSHIP.

LANDLORD REQUIREMENTS

PRIOR TO BID: THE CONTRACTOR SHALL COORDINATE WITH LANDLORD / BUILDING OWNER FOR ANY CONSTRUCTION REQUIREMENTS / SPECIFICATIONS. IF LANDLORD / BUILDING OWNER DOES HAVE REQUIREMENTS, CONTRACTOR SHALL BECOME COMPLETELY FAMILIAR WITH REQUIREMENTS / SPECIFICATIONS AND ADHERE TO THEM. WHERE LANDLORD / BUILDING OWNER REQUIREMENTS ARE MORE STRINGENT THAN SHOWN IN THESE PLANS (IN THE OPINION OF THE ENGINEER), LANDLORD / BUILDING OWNER REQUIREMENTS SHALL GOVERN.



© 2015 STARBUCKS COFFEE COMPANY

STARBUCKS COFFEE COMPANY
2401 UTAH AVENUE SOUTH
SEATTLE, WASHINGTON 98134
(206) 318-1575

THESE DRAWINGS AND SPECIFICATIONS ARE CONFIDENTIAL AND SHALL REMAIN THE SOLE PROPERTY OF STARBUCKS CORPORATION, WHICH IS THE OWNER OF THE COPYRIGHT IN THIS WORK. THEY SHALL NOT BE REPRODUCED (IN WHOLE OR IN PART), SHARED WITH THIRD PARTIES OR USED IN ANY MANNER ON OTHER PROJECTS OR EXTENSIONS TO THIS PROJECT WITHOUT THE PRIOR WRITTEN CONSENT OF STARBUCKS CORPORATION. THESE DRAWINGS AND SPECIFICATIONS ARE INTENDED TO EXPRESS DESIGN INTENT FOR A PROTOTYPICAL STARBUCKS STORE (WHICH IS SUBJECT TO CHANGE AT ANYTIME) AND DO NOT REFLECT ACTUAL SITE CONDITIONS. NEITHER PARTY SHALL HAVE ANY OBLIGATION NOR LIABILITY TO THE OTHER (EXCEPT STATED ABOVE) UNTIL A WRITTEN AGREEMENT IS FULLY EXECUTED BY BOTH PARTIES.

STARBUCKS TEMPLATE VERSION I2016.12.23

NORR
ARCHITECTS PLANNERS
325 N. LaSalle St., Suite 500 | Chicago, IL 60654
1.312.424.2400 | www.norr.com

ENGINEER OF RECORD


William J. Alkemyer, P.E.
353 Marshall Avenue
St. Louis, Missouri 63119
Phone (314) 772-1782
Fax (314) 772-0708

Engineering Consultant

PROJECT NAME:
**RENOVATION OF
STARBUCKS COFFEE
PORTLAND, 1080
FOREST AVE.**
PROJECT ADDRESS:
1080 FOREST AVENUE
PORTLAND, ME 04103
CUMBERLAND COUNTY

STORE #: 11917
PROJECT #: 37548-037
ISSUE DATE: 08/04/2017
PROGRAM MANAGER: J. BOND
DESIGNER: A. LEE
LEED AP: R. TURNER-LAUCK
PRODUCTION DESIGNER: E. VEGA
CHECKED BY: AMK / SMD

Revision Schedule			
Rev	Date	By	Description

SHEET TITLE:
PLUMBING NOTES

SCALE: AS SHOWN

SHEET NUMBER:
P-0001



08-23-17

ISSUED FOR CONSTRUCTION - 08/23/2017

146-17