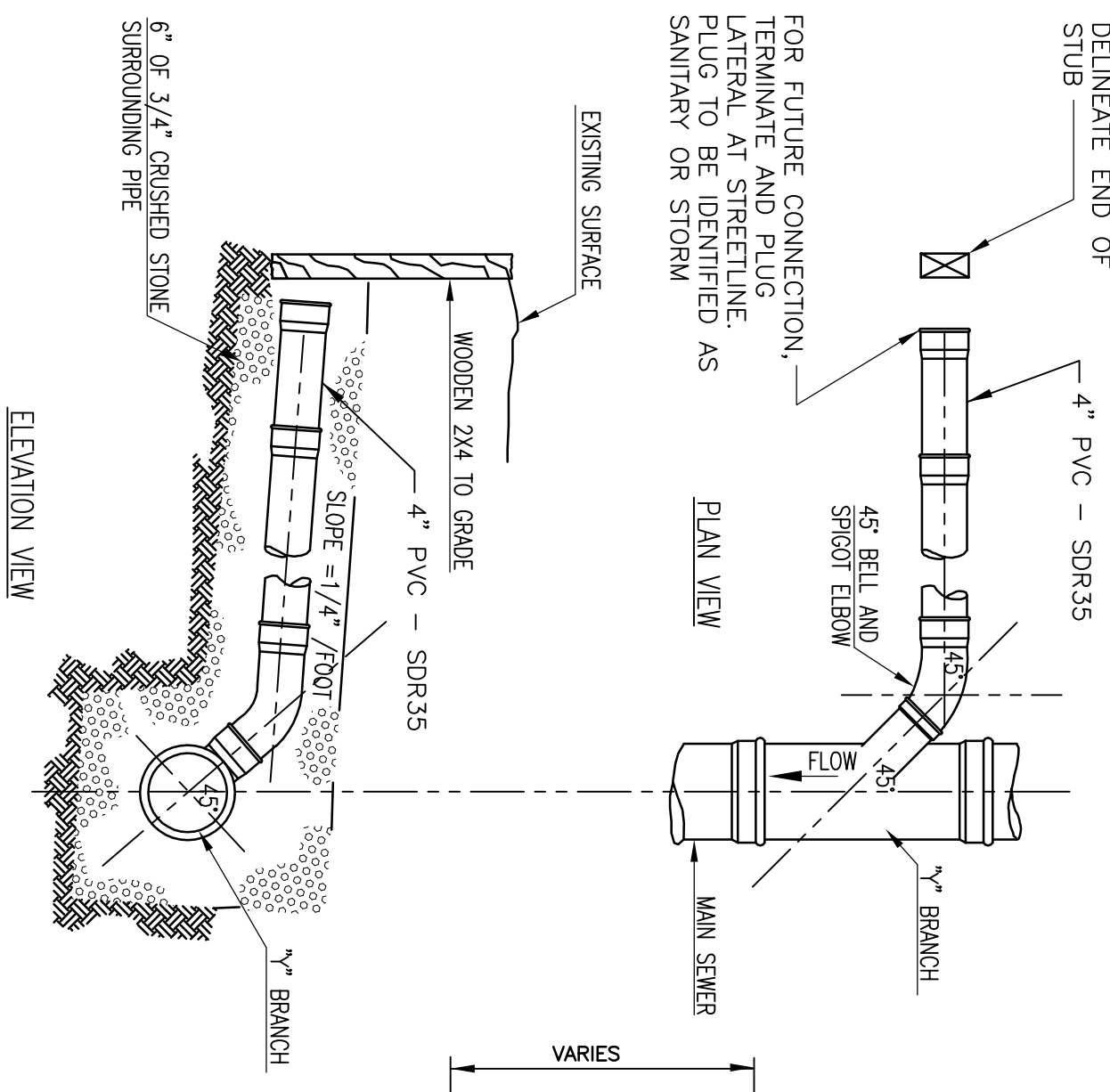


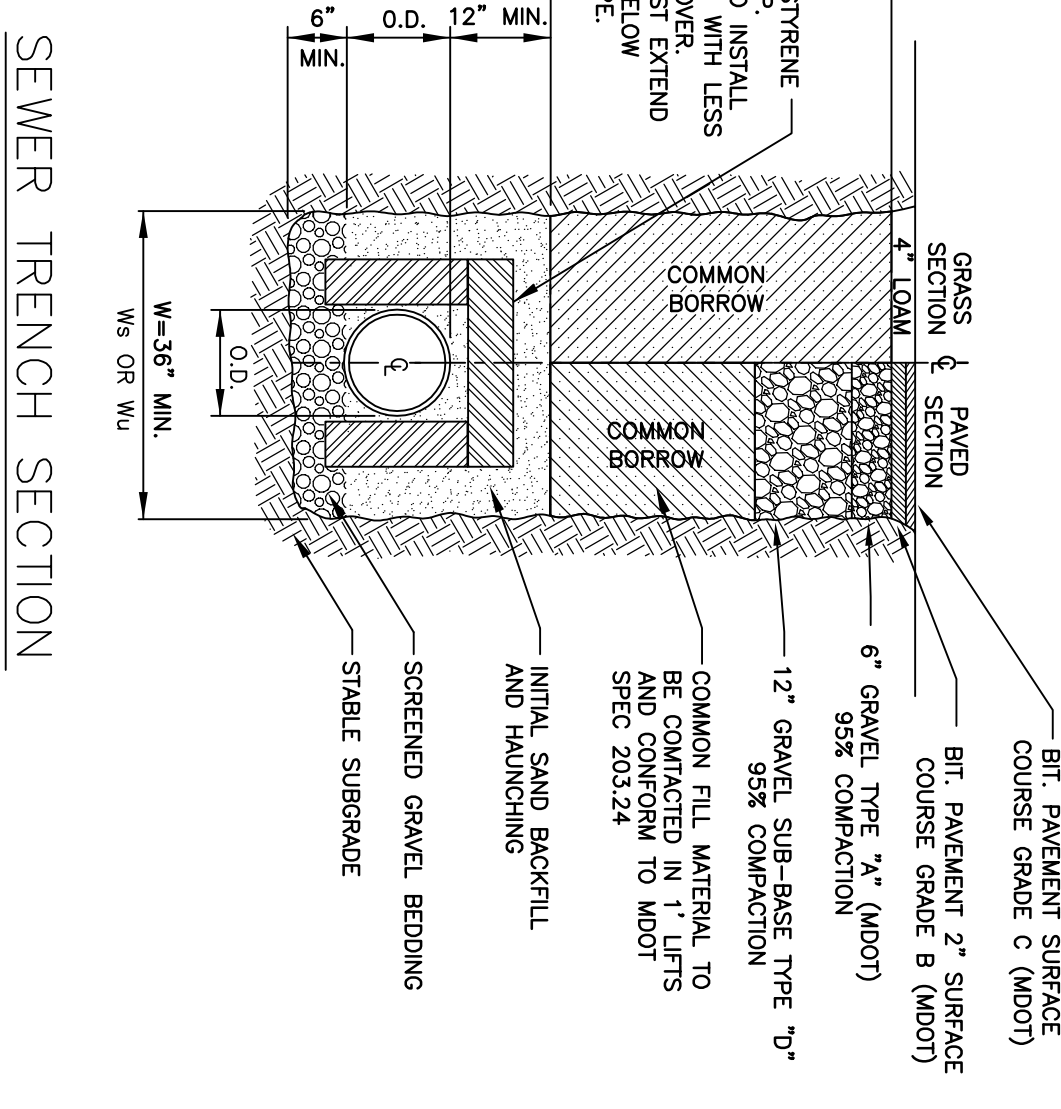
- NOTES:
1. LOCATION / WARNING TAPE SHALL BE INSTALLED OVER CENTRELINE OF PIPE AT A MAXIMUM OF 24 INCHES BELOW FINISH GRADE.
 2. HOUSE LATERALS SHALL NOT BE CONNECTED DIRECTLY INTO MANHOLE.



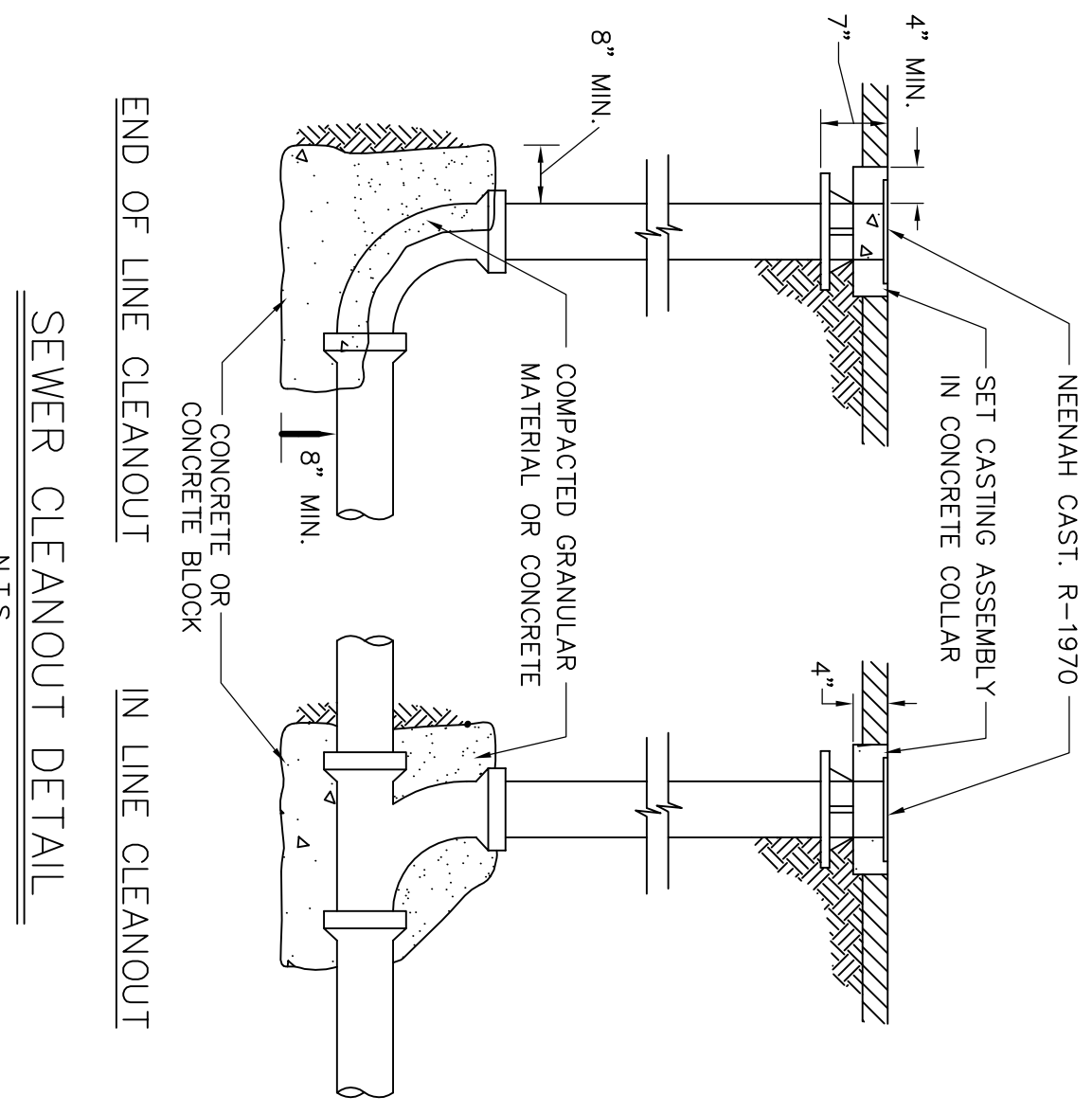
TYPICAL SANITARY SEWER HOUSE LATERAL CONNECTION DETAILS
N.T.S.

TRENCH WIDTH VS. OR W/D. NO. UNSPICED SCHEDULE 12\"/>

DIAMETER OF PIPE	UNSPICED SCHEDULE 12\"/>
18"	3'-0"
21"	3'-10"
24"	4'-2"
27"	4'-6"
30"	4'-10"
36"	5'-6"
42"	6'-2"
48"	6'-10"

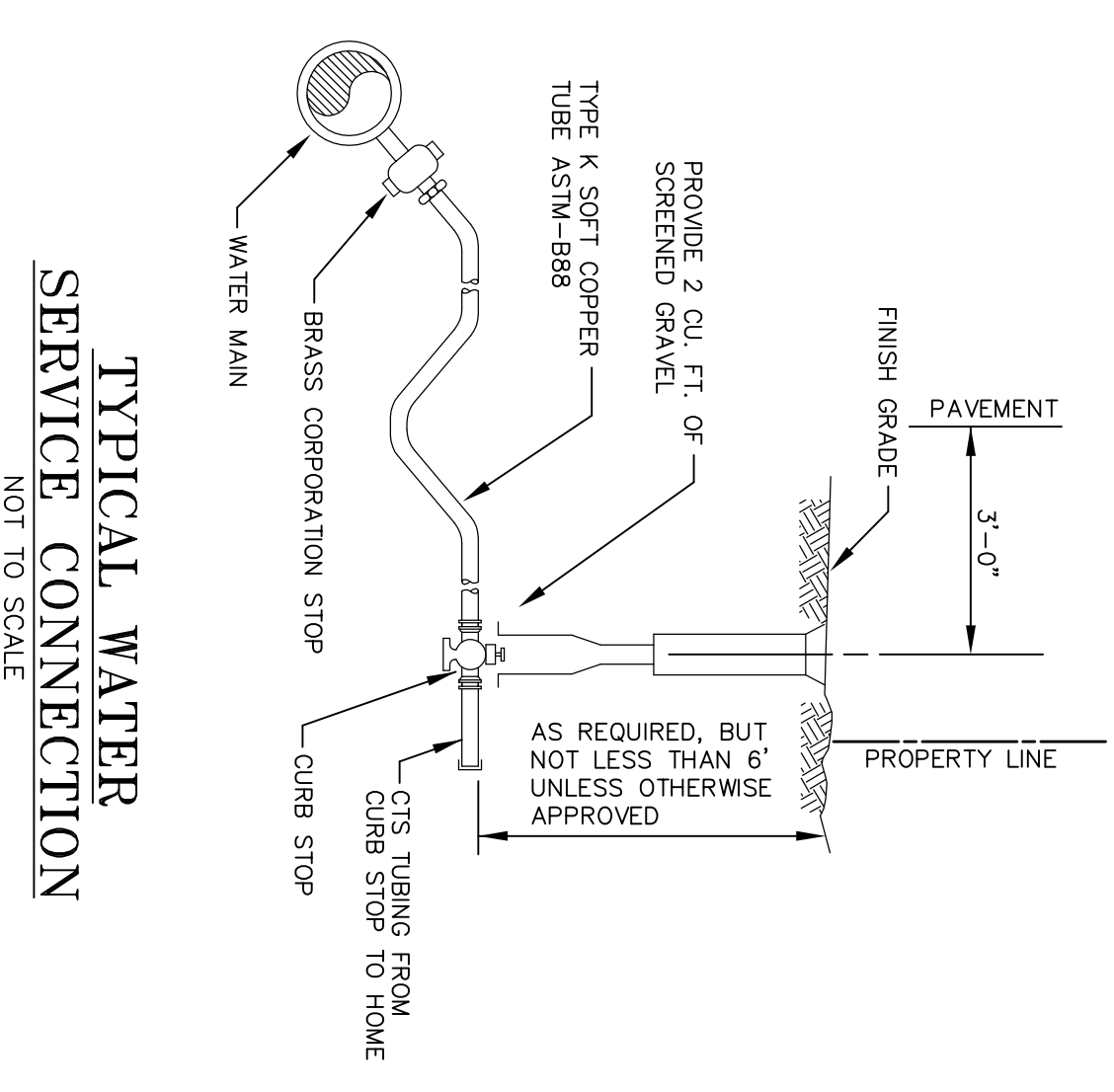


SEWER TRENCH SECTION
N.T.S.

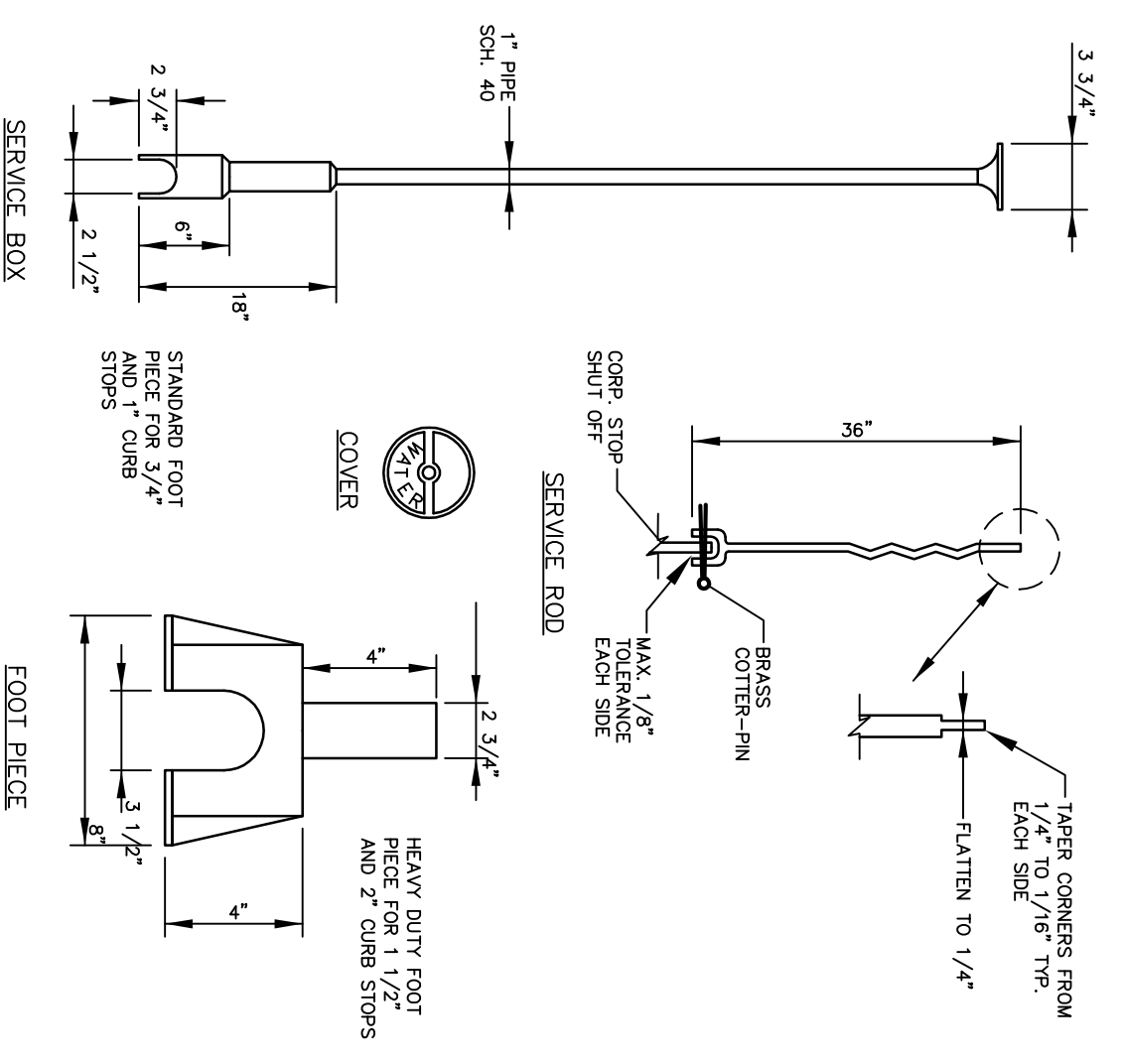


SEWER CLEANOUT DETAIL
N.T.S.

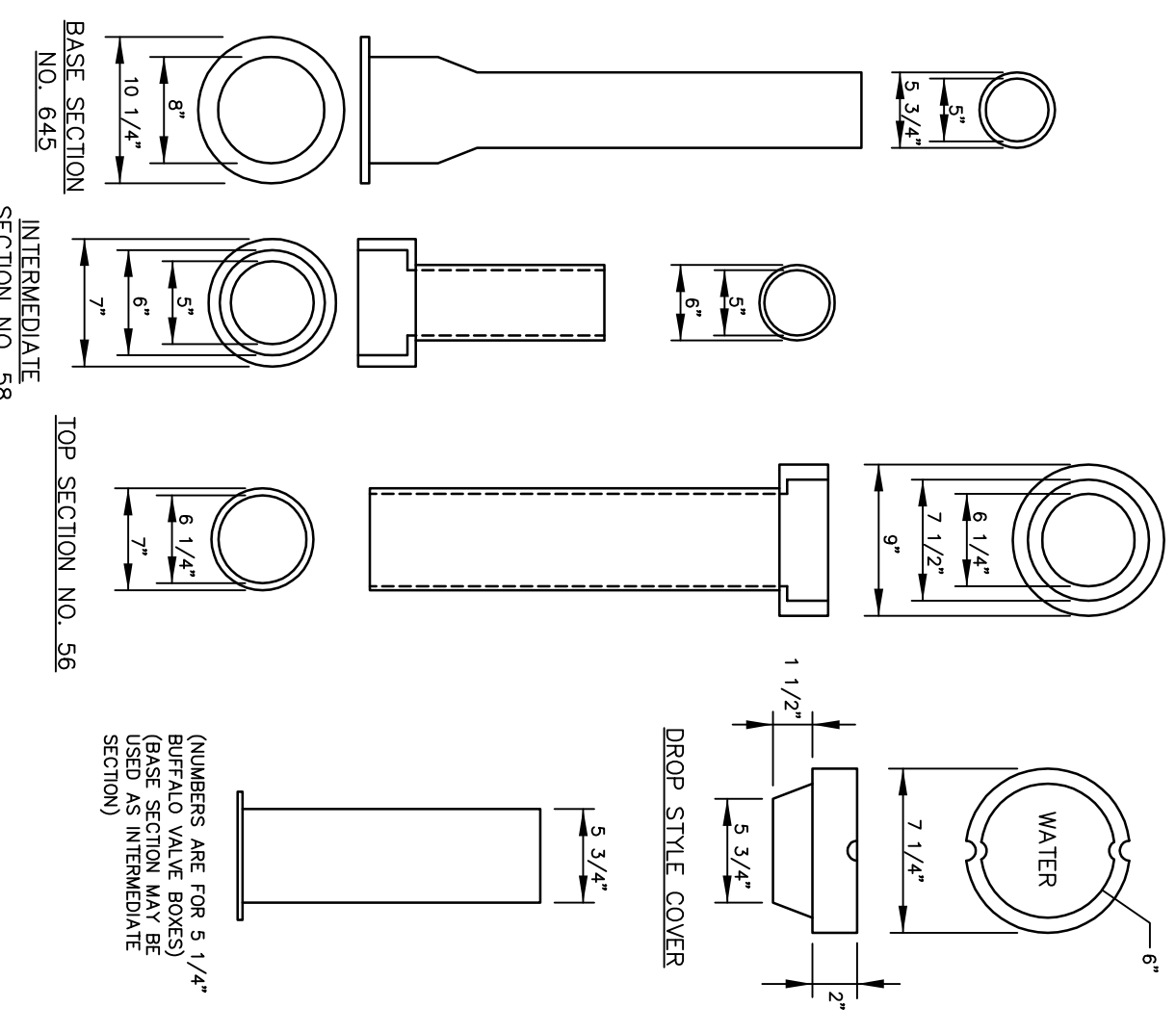
- NOTE:
- CLEANOUT TOP SHALL BE ENCLOSED IN CASTING AND/OR FABRICATED COVER ASSEMBLY.



TYPICAL WATER SERVICE CONNECTION
NOT TO SCALE



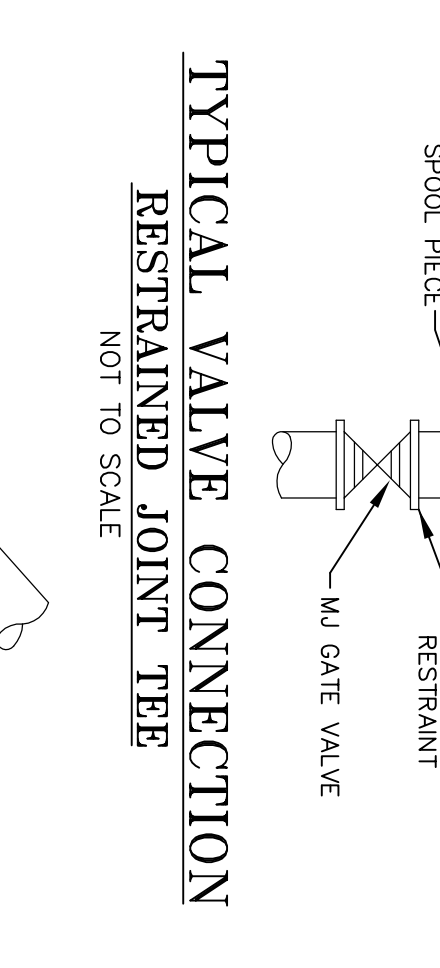
VALVE BOX & COVER
NOT TO SCALE



BEARING AREAS - SQUARE FEET

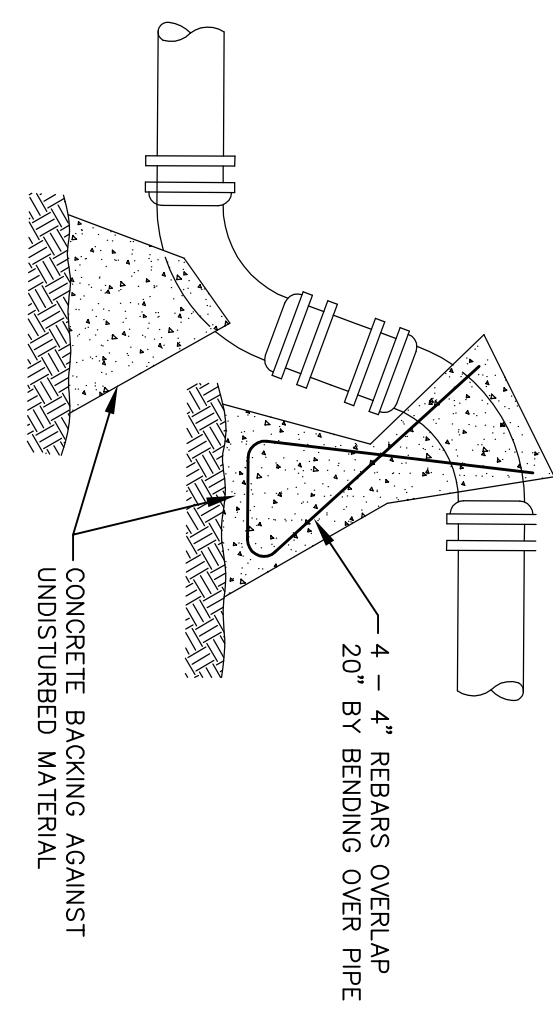
NOMINAL DIAMETER OF FITTING	DEAD END OF TEE	BRANCH OF TEE	90° BEND	45° BEND	SMALLER THAN 45° GREATER THAN 10°	BEND
8"	2	2	3	3	2	2
10"	4	4	5	5	3	2
12"	6	6	10	10	6	2
14"	12	12	16	16	9	3
16"	12	12	20	20	10	4

- NOTES:
1. ALL BENDS, TEE HYDRANTS AND DEAD ENDS SHALL BE BRACED WITH CONCRETE TRUST BLOCKS. CONCRETE IN CONTACT WITH WALL OF TRENCH-HULL BEARING AREAS LENGTH (L) AS REQUIRED TO OBTAIN BEARING AREA IN TABLE.
- THRUST BLOCK DETAILS**
NOT TO SCALE

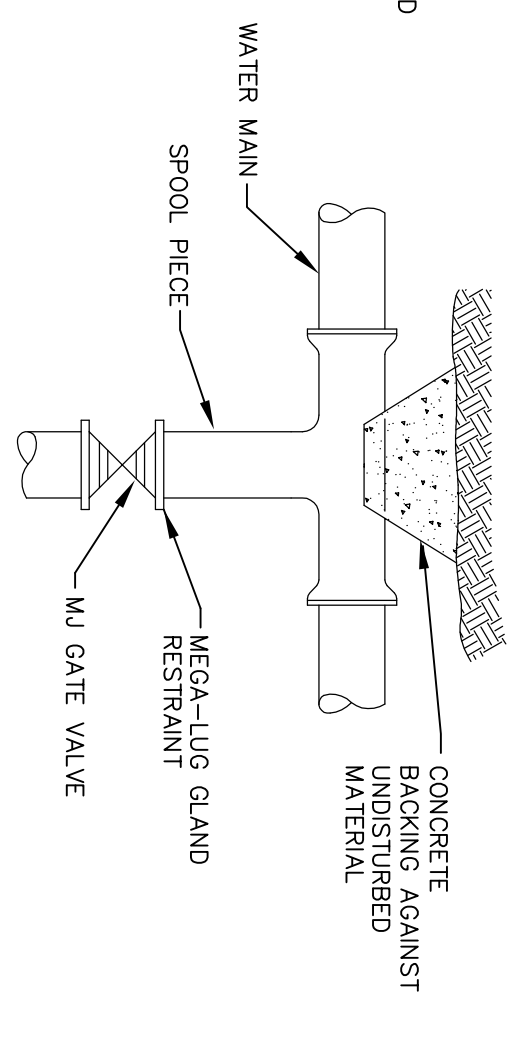


TYPICAL BEND
NOT TO SCALE

TYPICAL OFF-SET
NOT TO SCALE



TYPICAL TEE
NOT TO SCALE



TYPICAL VALVE CONNECTION RESTRAINED JOINT TEE
NOT TO SCALE

THIS PLAN IS FOR REVIEW PURPOSES ONLY AND IS NOT INTENDED FOR CONSTRUCTION OR RECORDING.

Project Name:	SINGLE FAMILY RESIDENCE
Client/Owner:	RUSS DOUCETTE HOMES
Address:	29 WAYFIELD STREET, PORTLAND, ME 04103
Project Number:	33946
Scale:	AS NOTED
Date:	AUGUST 20, 2013

Northeast Civil Solutions
SURVEYING ENGINEERING LAND PLANNING

153 US ROUTE 1, SCARBOROUGH, MAINE 04074
Tel: 207.883.1000 Fax: 207.883.1001
e-mail: info@northeastcivilsolutions.com

PROJECT: 33000/33946 WAYFIELD.PLANSET/33946-DETAILS.DWG