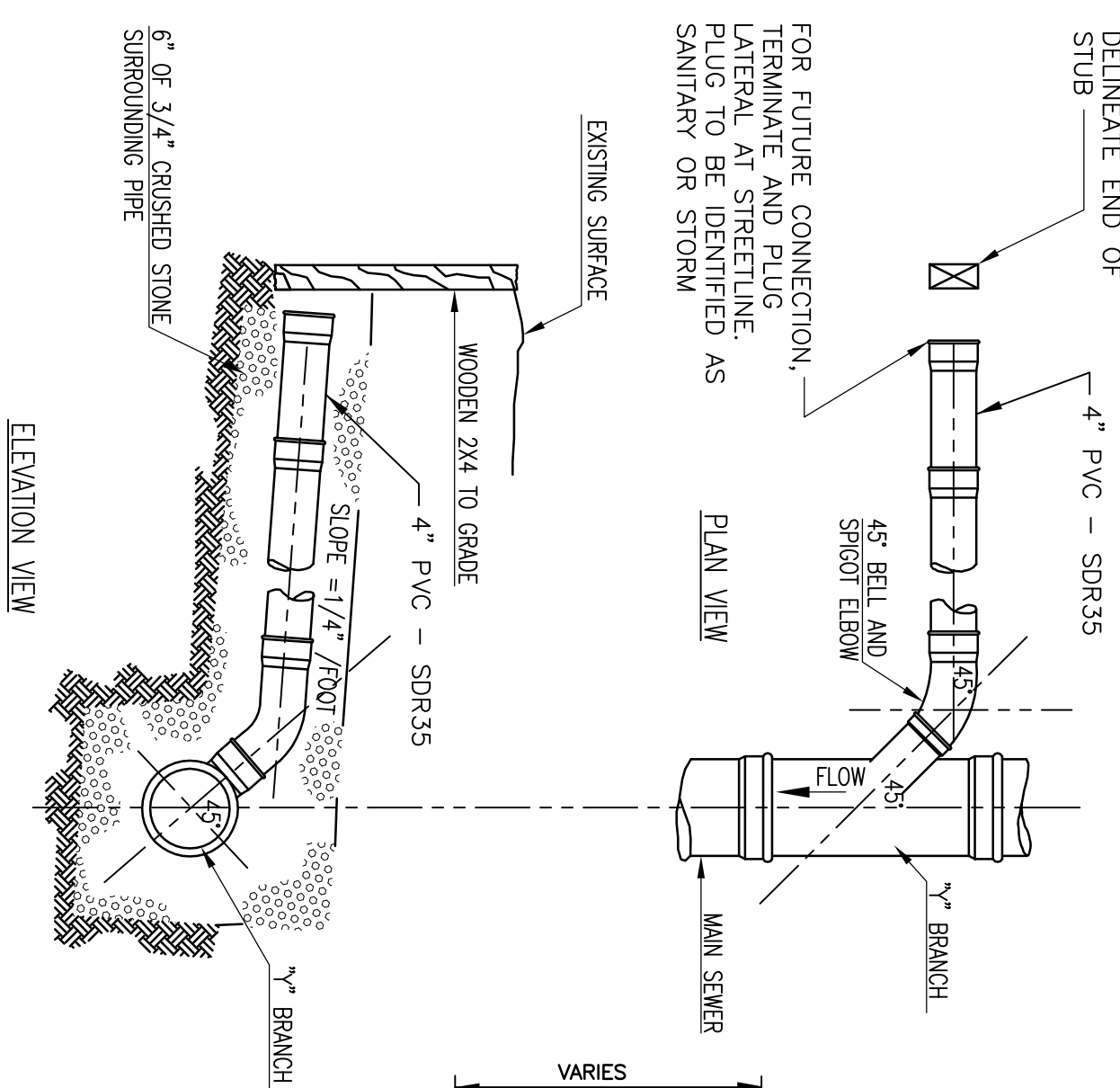


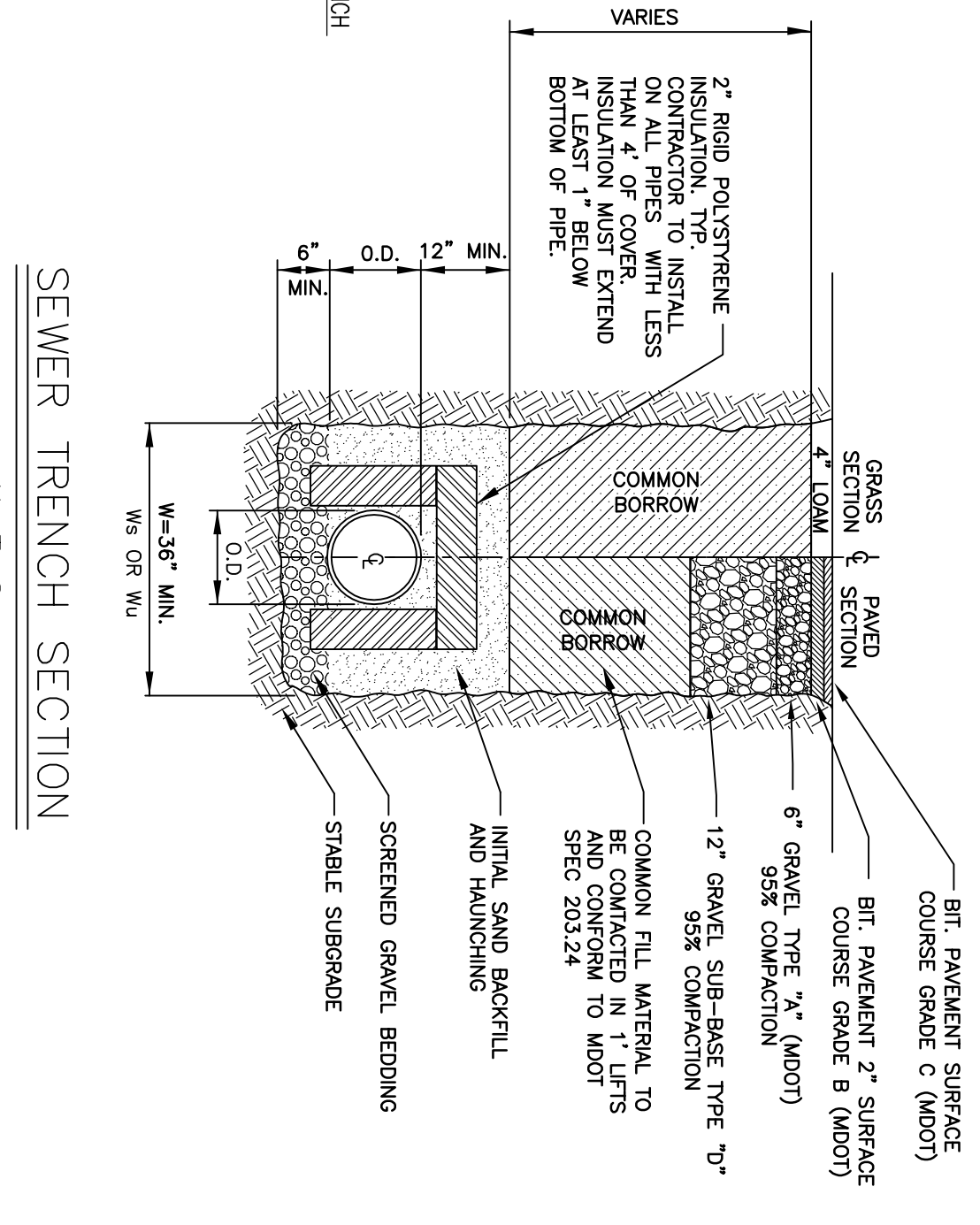
- NOTES:
1. LOCATION / WARNING TAPE SHALL BE INSTALLED OVER CENTERLINE OF PIPE AT A MAXIMUM OF 24 INCHES BELOW FINISH GRADE.
  2. HOUSE LATERALS SHALL NOT BE CONNECTED DIRECTLY INTO MANHOLES.



TYPICAL SANITARY SEWER HOUSE LATERAL "Y" CONNECTION DETAILS  
NOT TO SCALE

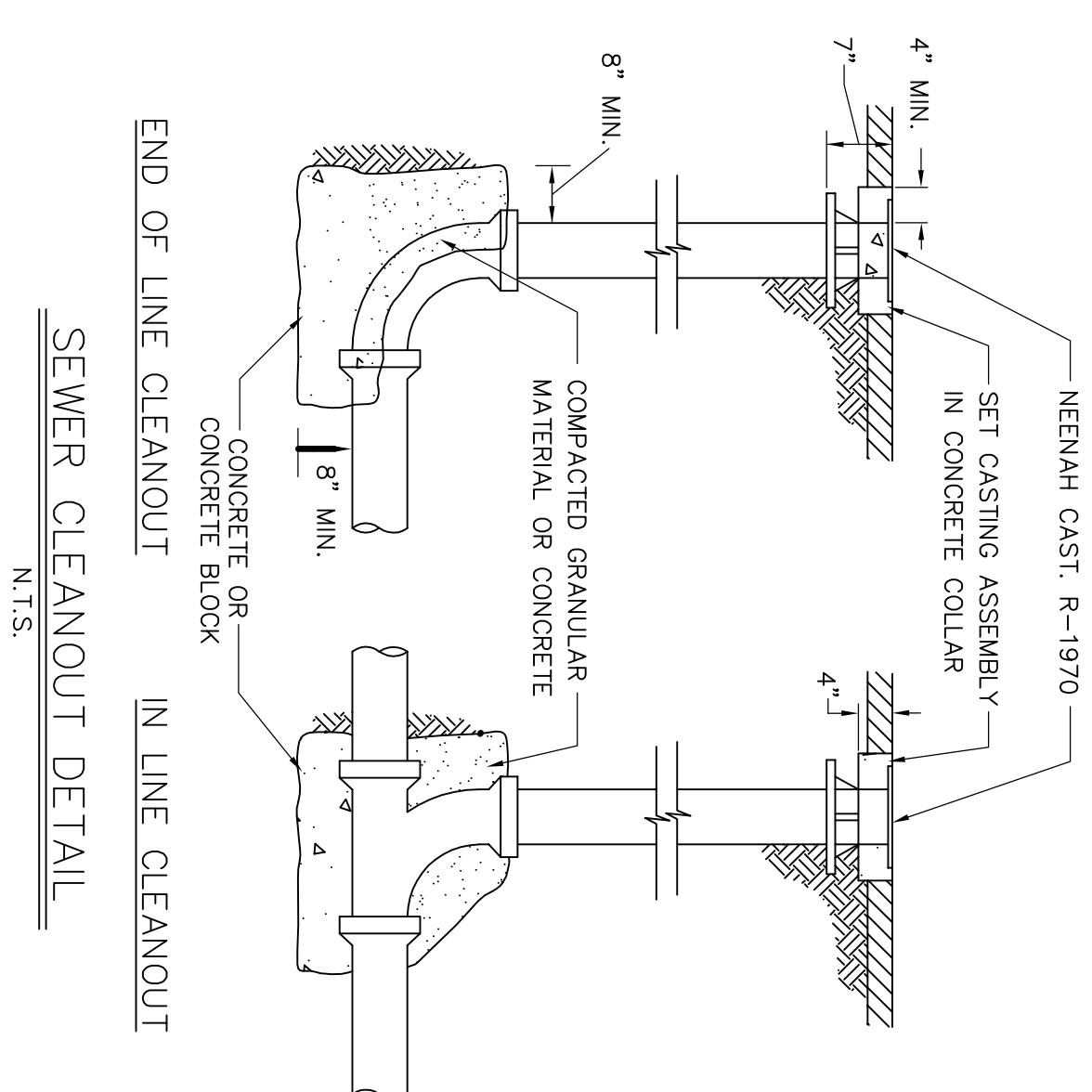
TRENCH WIDTH DATA

DIAMETER OF PIPE 12" AND SMALLER	UNSHIELDED SHEETED	VARIES
12"	3'-0"	4'-2"
15"	3'-2"	4'-4"
18"	3'-4"	4'-6"
21"	3'-10"	5'-0"
24"	4'-2"	5'-4"
27"	4'-6"	5'-8"
30"	5'-0"	6'-2"
36"	5'-6"	6'-8"
42"	6'-2"	7'-4"
48"	6'-10"	8'-0"

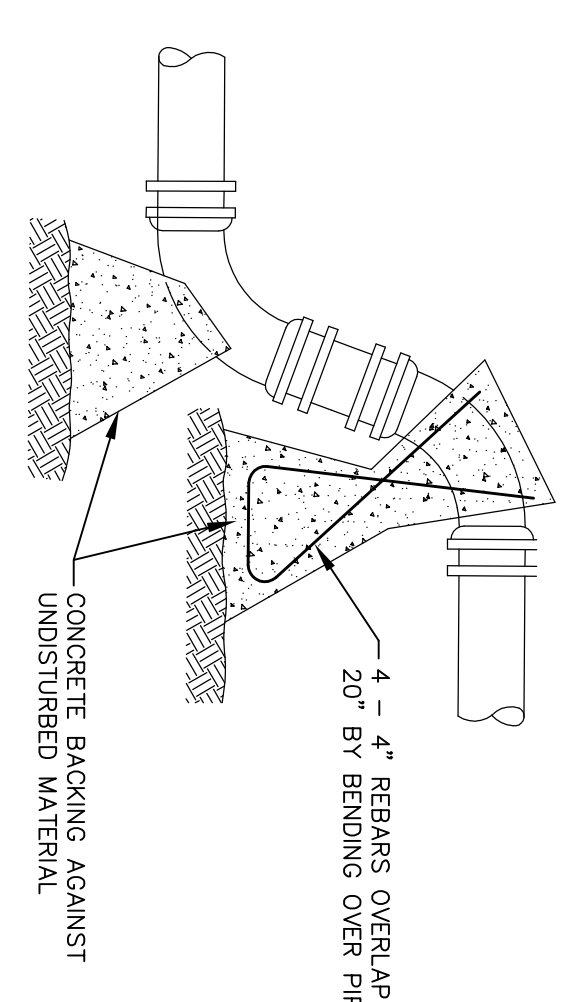


SEWER TRENCH SECTION  
N. T. S.

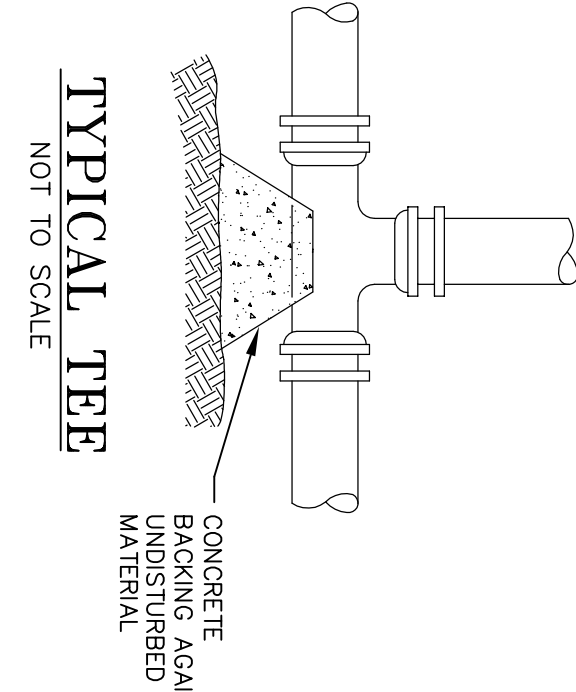
- NOTE:
- CLEANOUT TOP SHALL BE ENCLOSED IN CASTING AND/OR FABRICATED COVER ASSEMBLY.



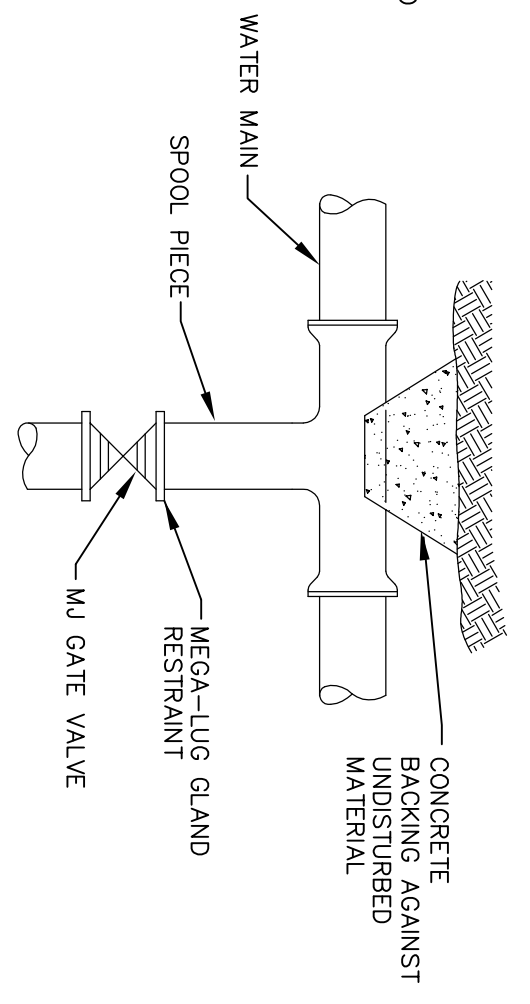
SEWER CLEANOUT DETAIL  
N.T.S.



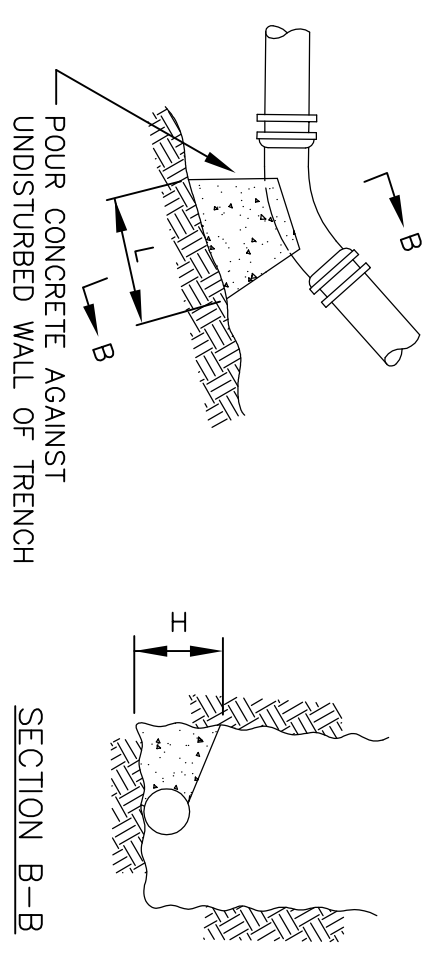
TYPICAL OFF-SET  
NOT TO SCALE



TYPICAL TEE  
NOT TO SCALE



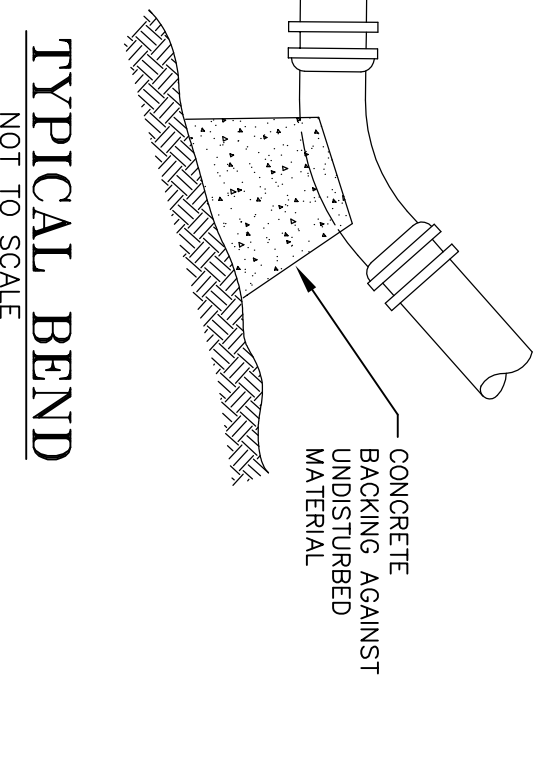
TYPICAL VALVE CONNECTION RESTRAINED JOINT TEE  
NOT TO SCALE



NOMINAL DIAMETER OF FITTING	BEARING AREAS - SQUARE FEET		
	DEAD END OF BRANCH	90° BEND	45° BEND
6"	2	3	2
8"	4	5	3
10"	6	8	4
12"	8	10	6
14"	12	16	9
16"	12	20	10

- NOTES:
1. ALL BENDS, TEE HYDRANTS AND DEAD ENDS SHALL BE BRACED WITH CONCRETE THRUST BLOCKS.
  2. CONCRETE THRUST BLOCKS CONCRETE IN CONTACT WITH WALL OF TRENCH-HALL.
  3. HEIGHT (H) AND LENGTH (L) AS REQUIRED TO OBTAIN BEARING AREA IN TABLE.

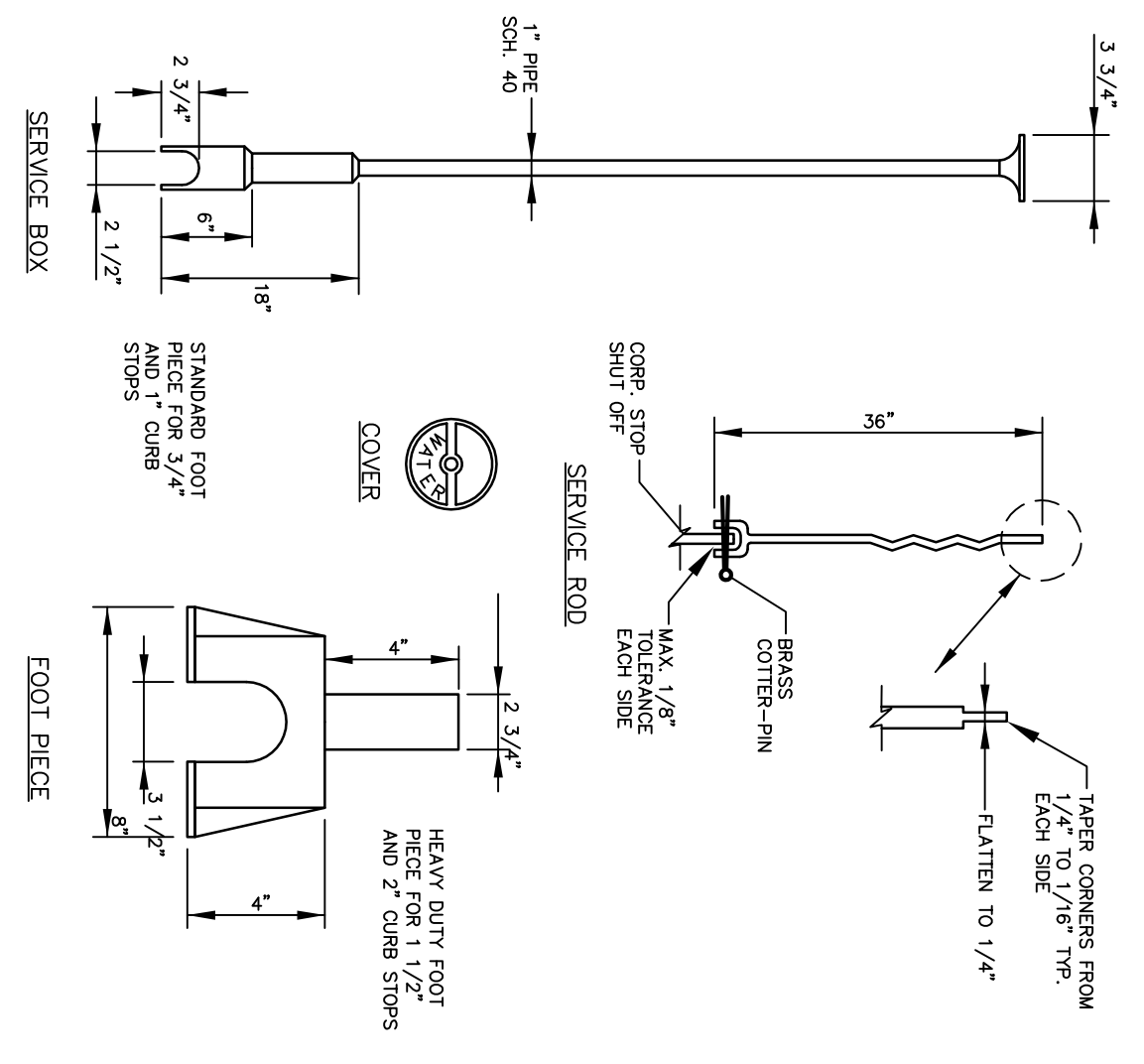
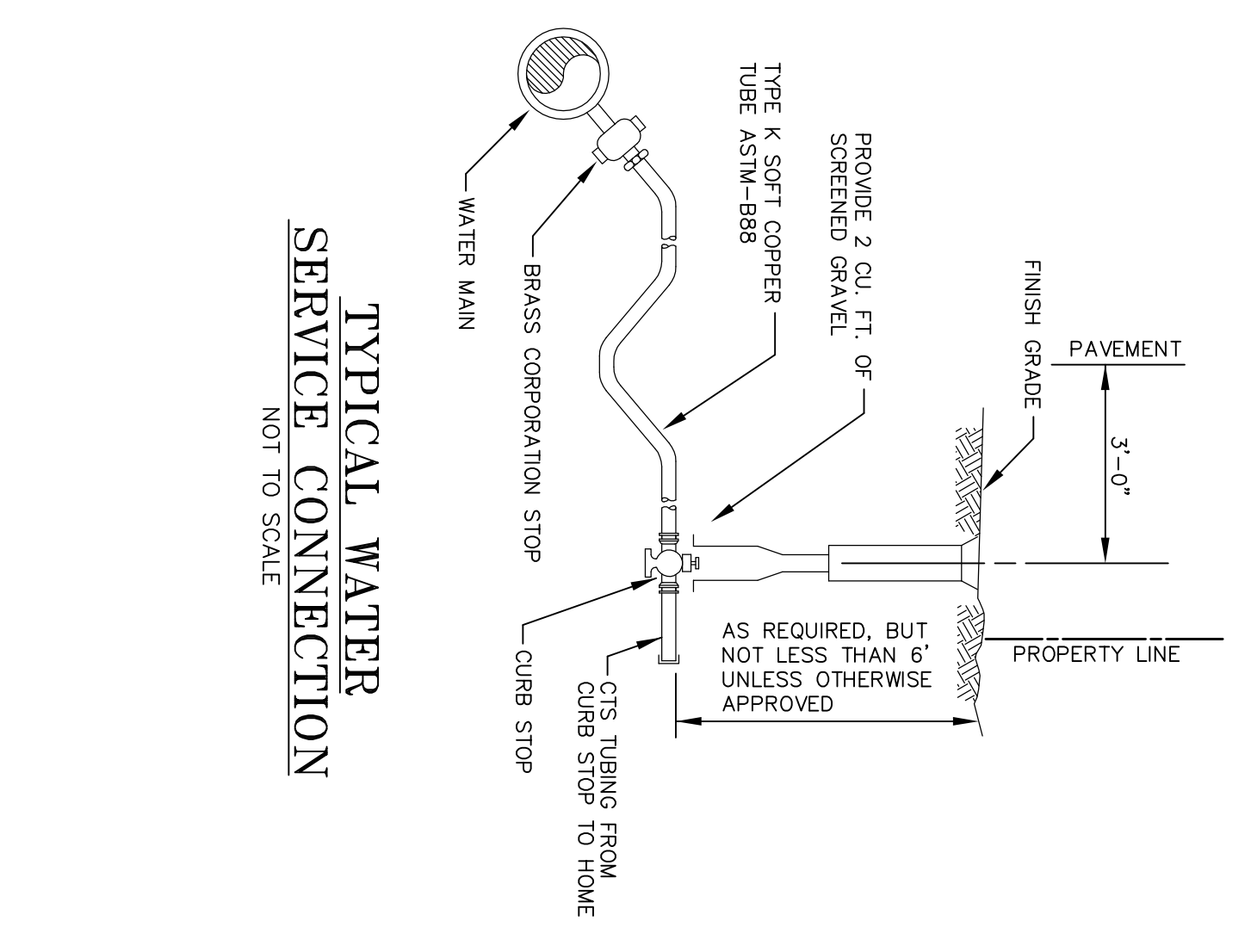
THRUST BLOCK DETAILS  
NOT TO SCALE



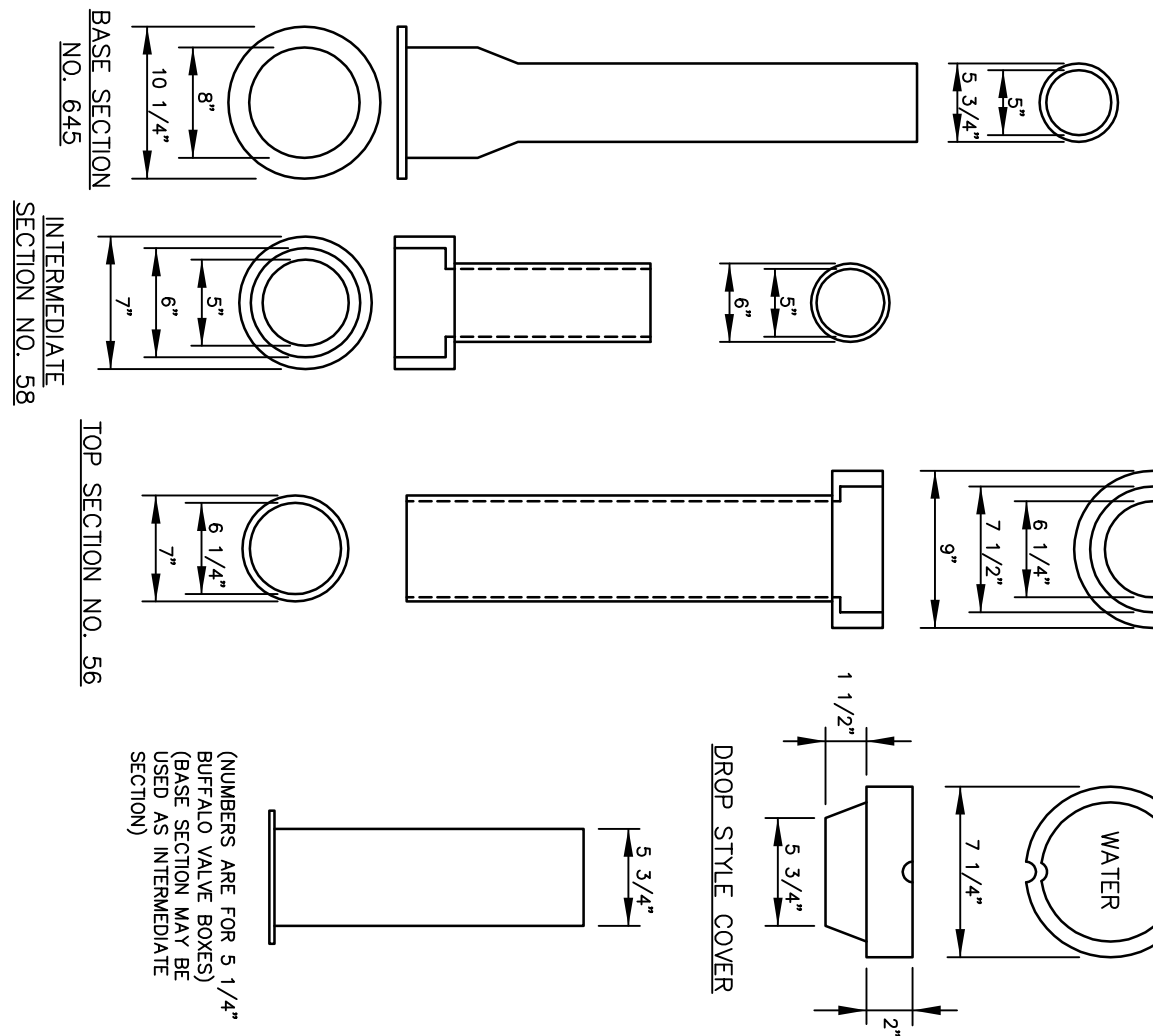
TYPICAL BEND  
NOT TO SCALE

THIS PLAN IS FOR REVIEW PURPOSES ONLY AND IS NOT INTENDED FOR CONSTRUCTION OR RECORDING

TYPICAL WATER SERVICE CONNECTION  
NOT TO SCALE



VALVE BOX & COVER  
NOT TO SCALE



(NUMBERS ARE FOR 5 1/4\"/>

PROJECT NUMBER: 33946  
 ACO FILE: 33946-DETAILS.DWG  
 SCALE: AS NOTED  
 DATE: AUGUST 20, 2013

Revised: 1/23/14 REVISED PER RMD

1 SMA 1/23/14

Project Name: SINGLE FAMILY RESIDENCE  
 29 MAYFIELD STREET, PORTLAND ME 04103

Client/Owner: RUSS DOUCETTE HOMES  
 3 FREDERICK THOMPSON DRIVE, SCARBOROUGH ME 04074

153 US ROUTE 1, SCARBOROUGH, MAINE 04074  
 Tel: 207.883.1000  
 Fax: 207.883.1001  
 e-mail: info@northeastcivilsolutions.com

SHET 3 OF 3