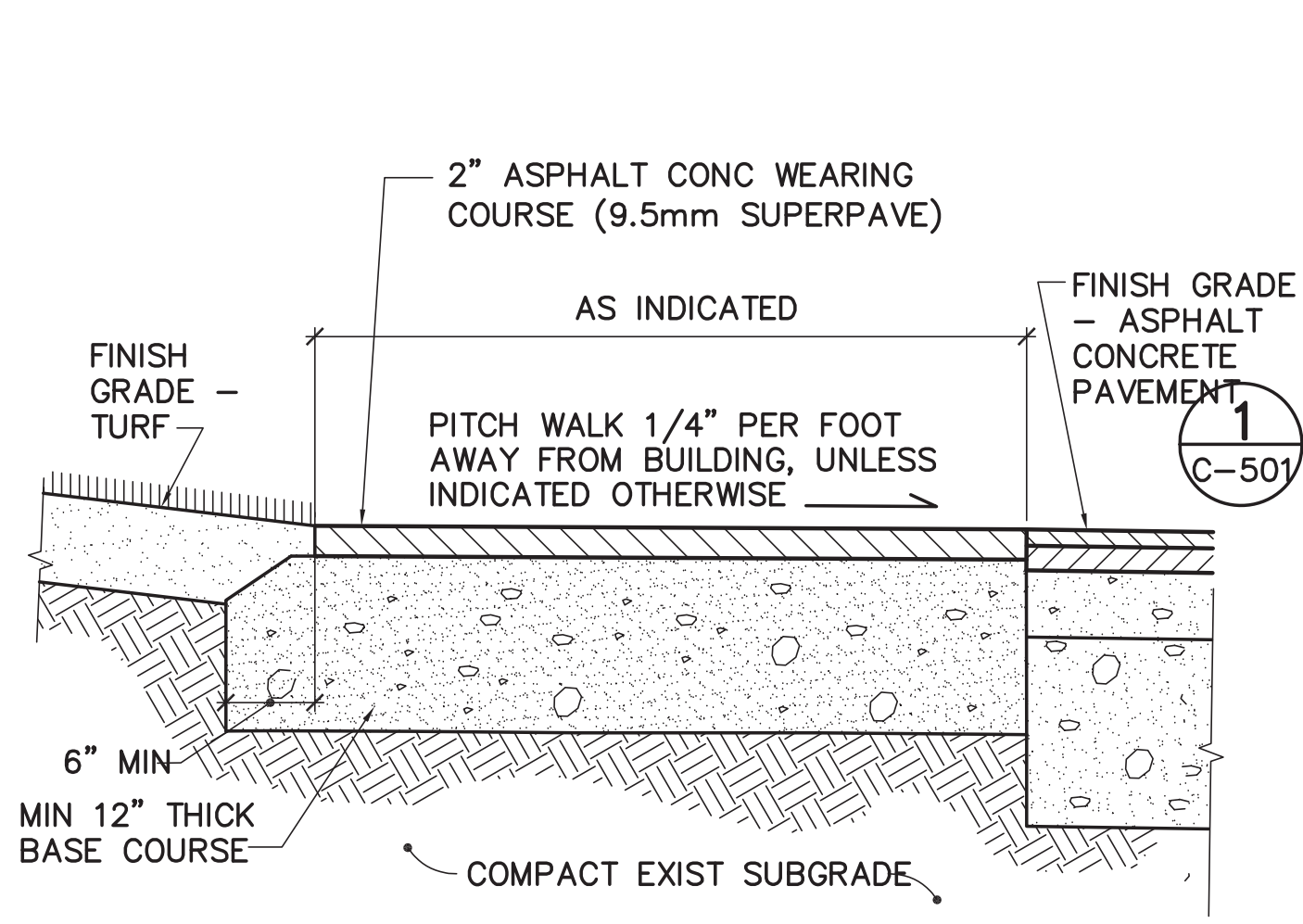


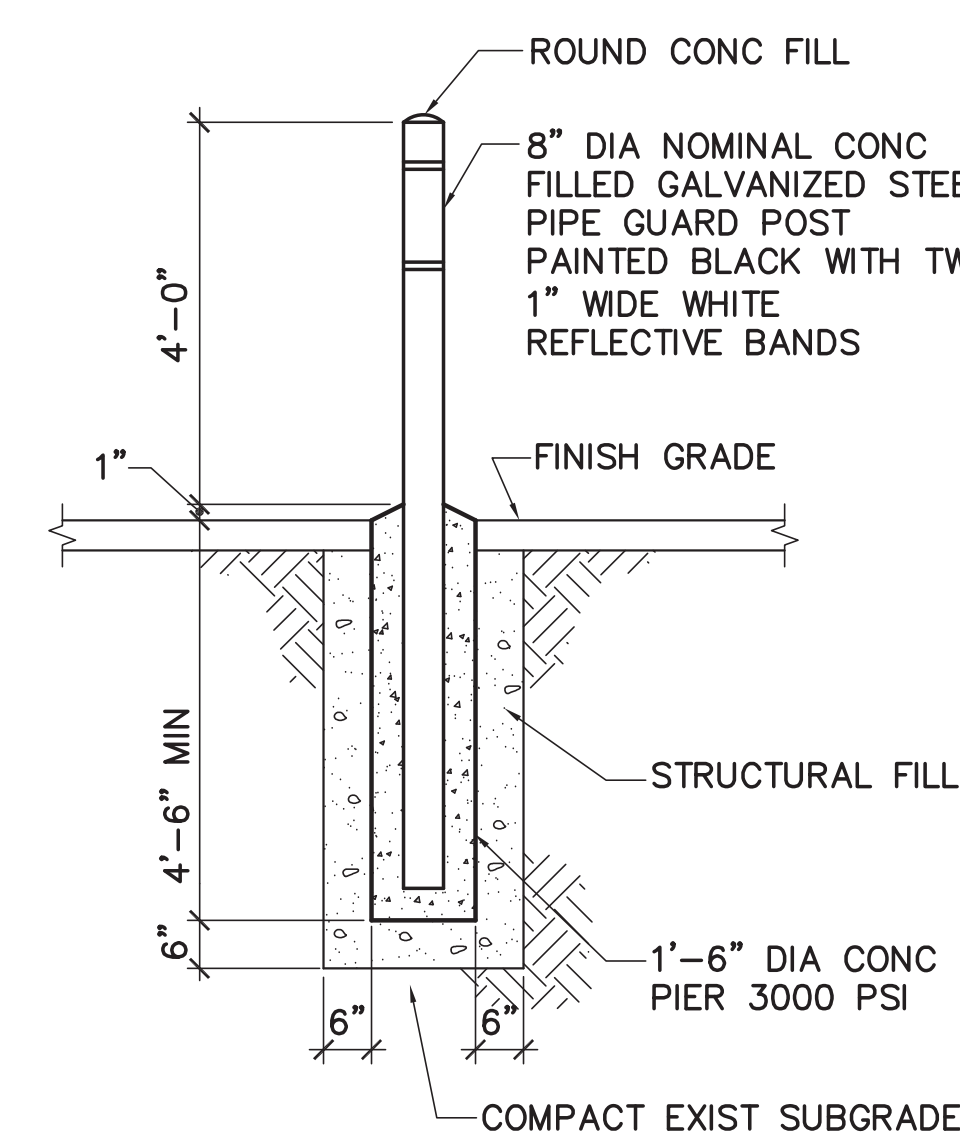
1 TYP FULL-DEPTH ASPHALT CONCRETE PAVEMENT DETAIL

CS101.CS102.CS103.C-501.C-502
C-501/NOT TO SCALE



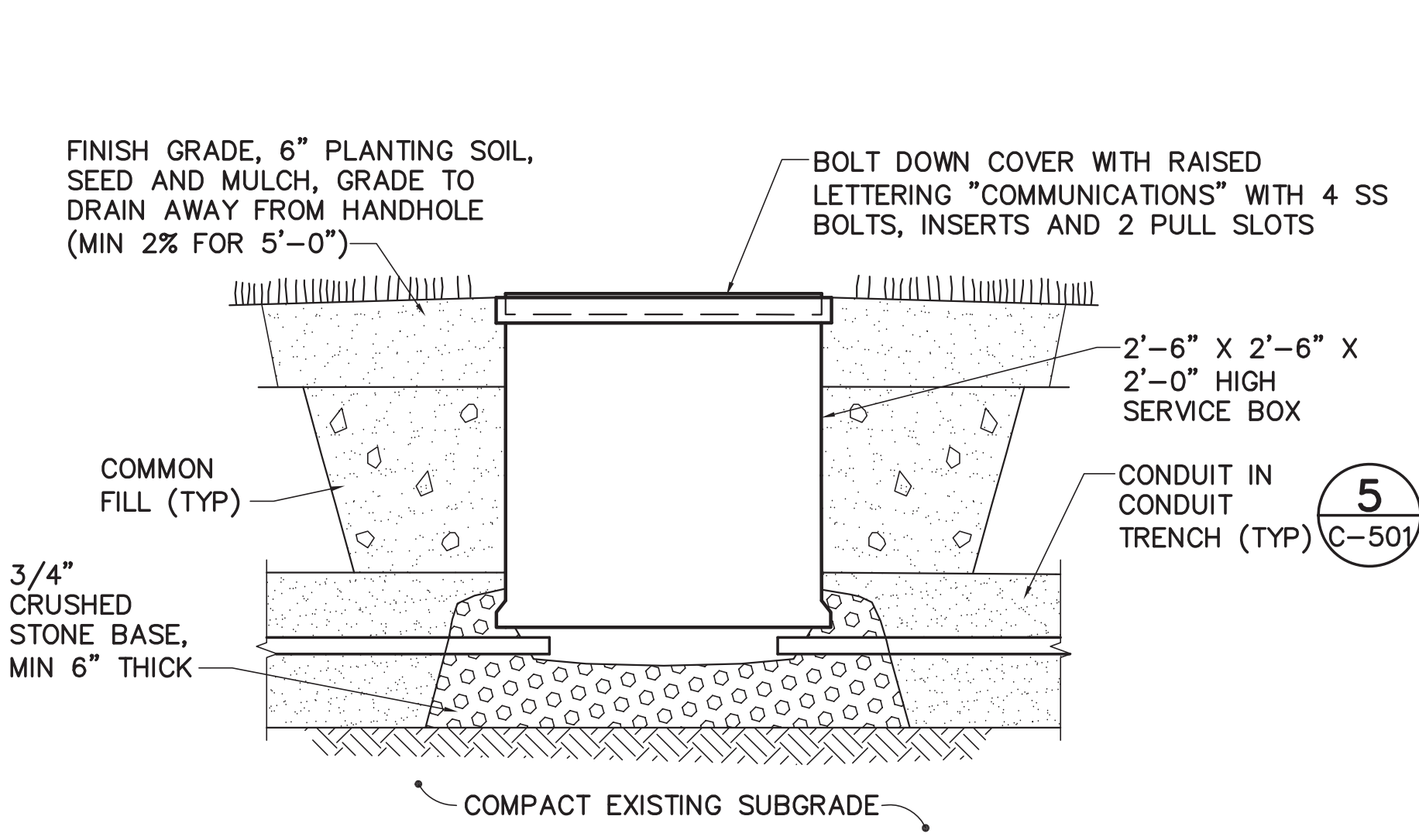
2 TYP ASPHALT CONCRETE WALK DETAIL

CS102.CS103.C-501
C-501/NOT TO SCALE



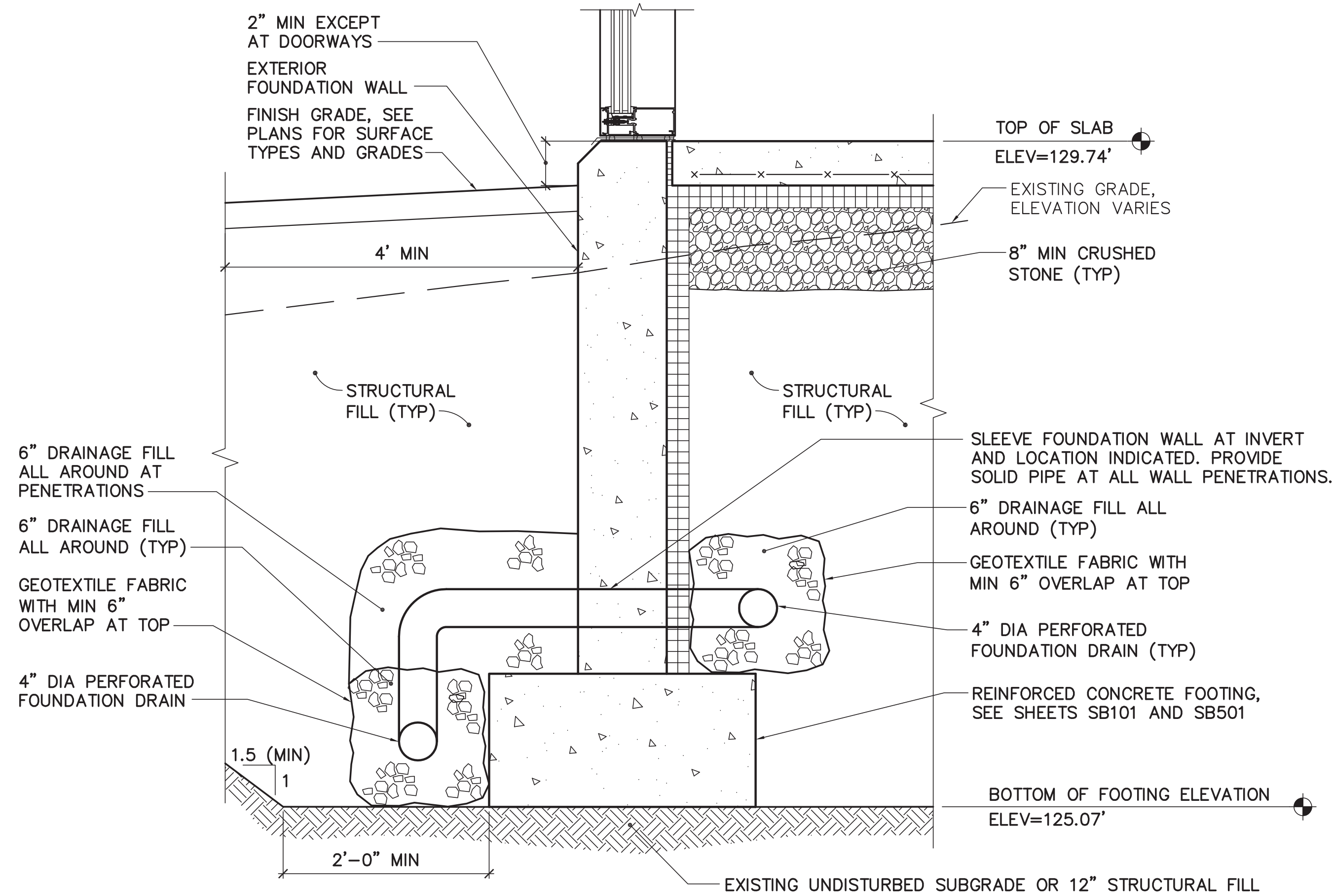
3 TYP BOLLARD DETAIL

CS101.CS103
C-501/NOT TO SCALE



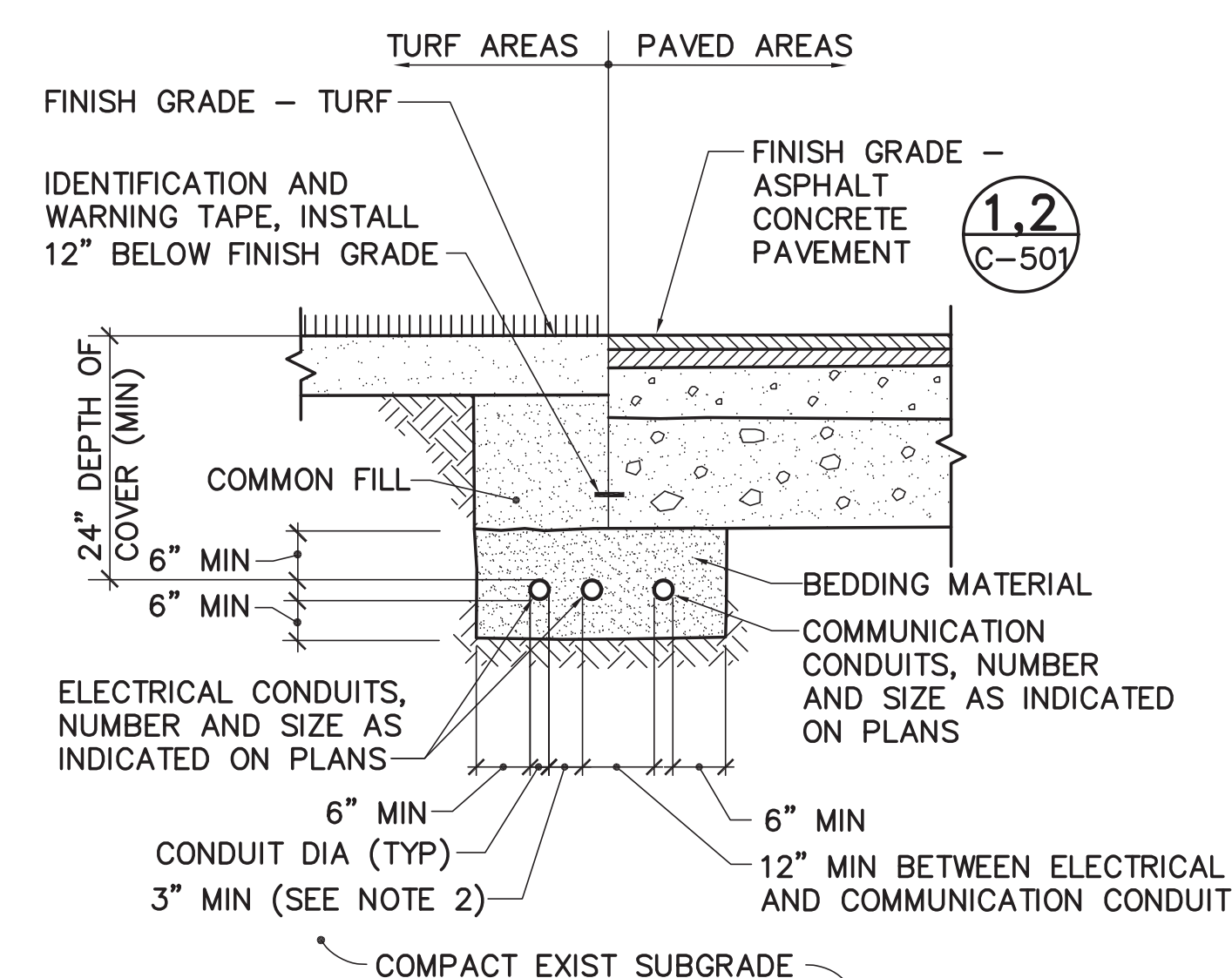
4 TYP HANDHOLE DETAIL

CS102
C-501/NOT TO SCALE



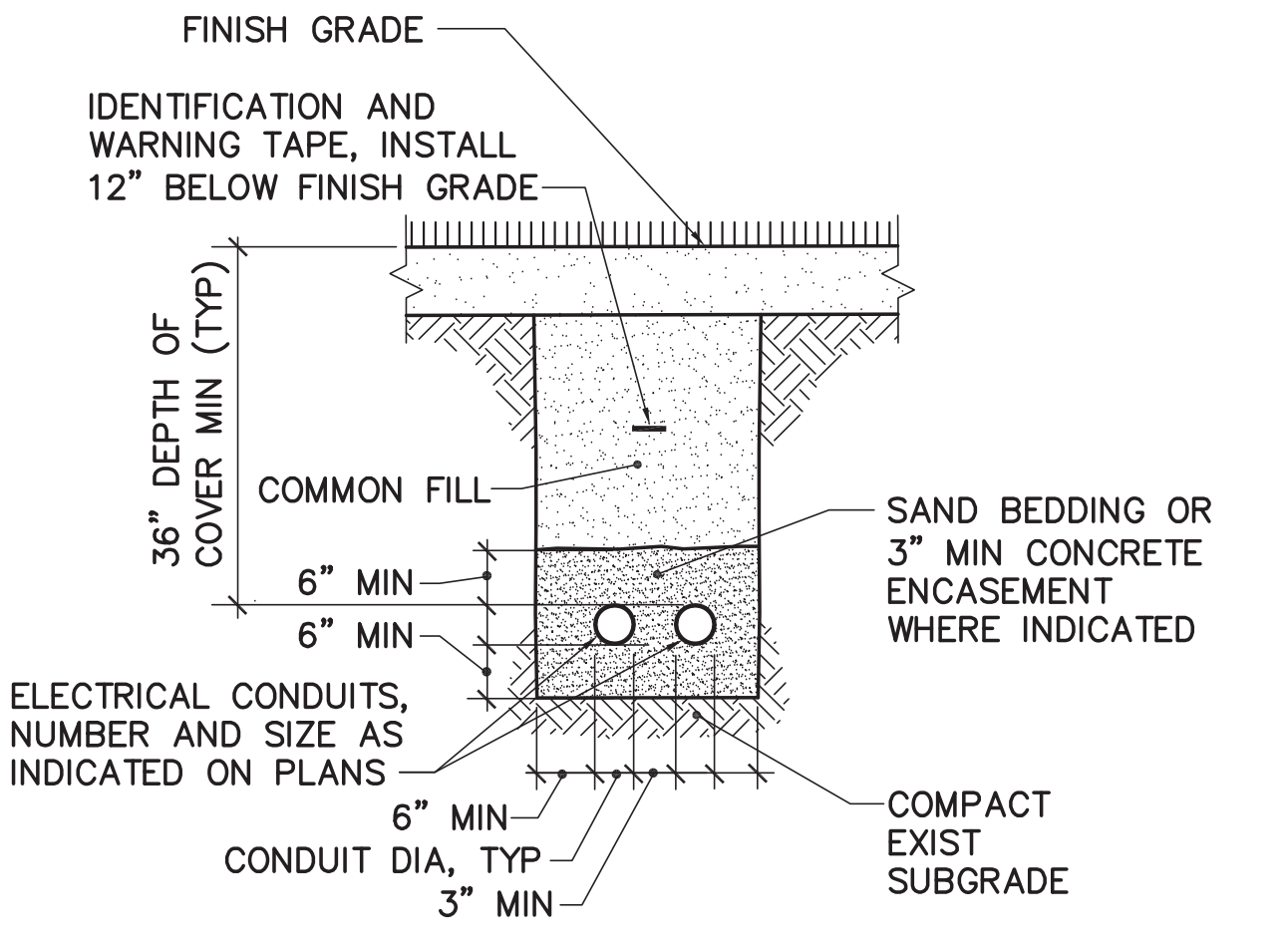
5 TYP FOUNDATION PREPARATION AND DRAIN DETAIL

CS102.S-001.SB101.SB402
C-501/NOT TO SCALE



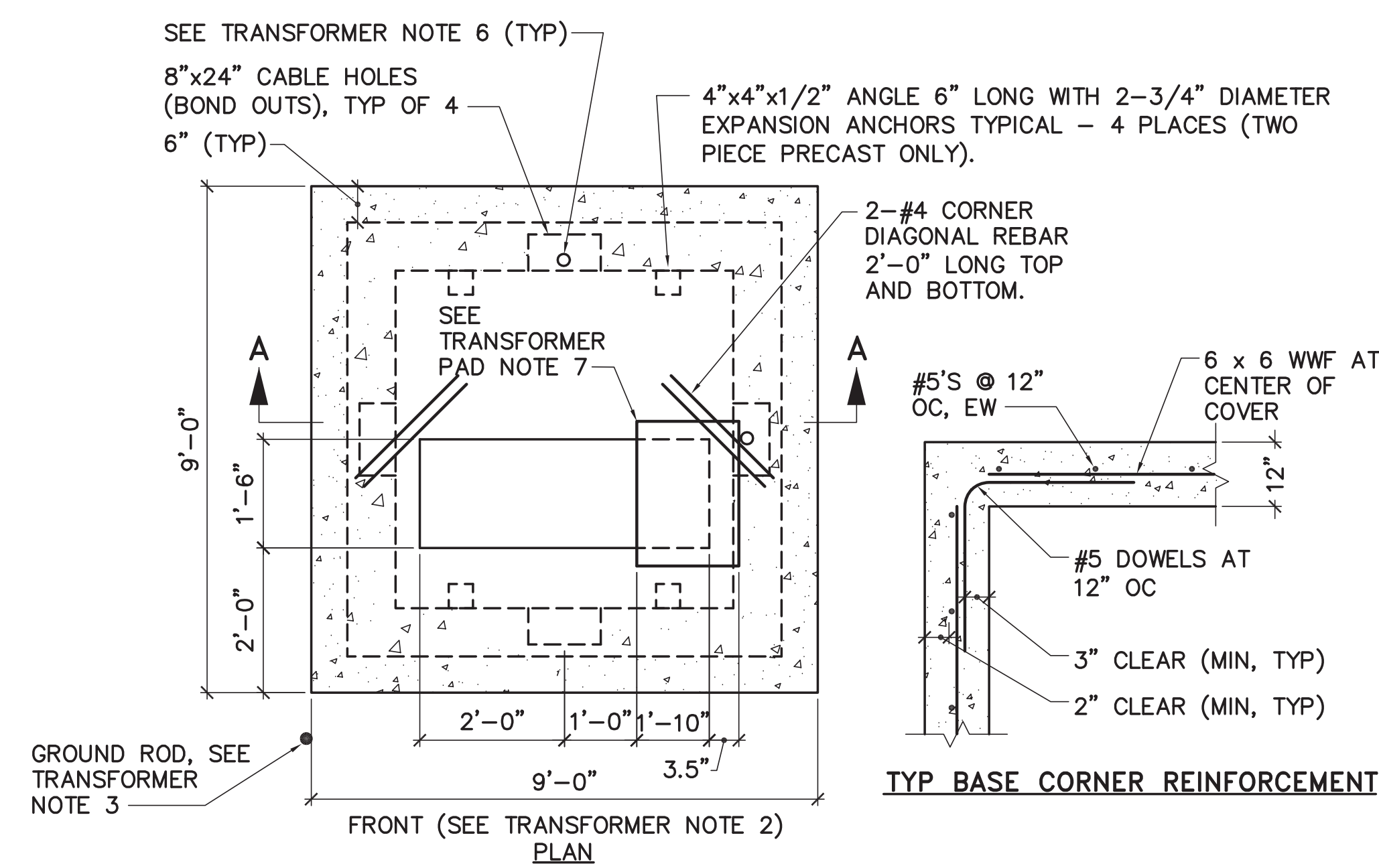
6 CONDUIT TRENCH DETAIL

CS101.CS102.C-501.C-502
C-501/NOT TO SCALE



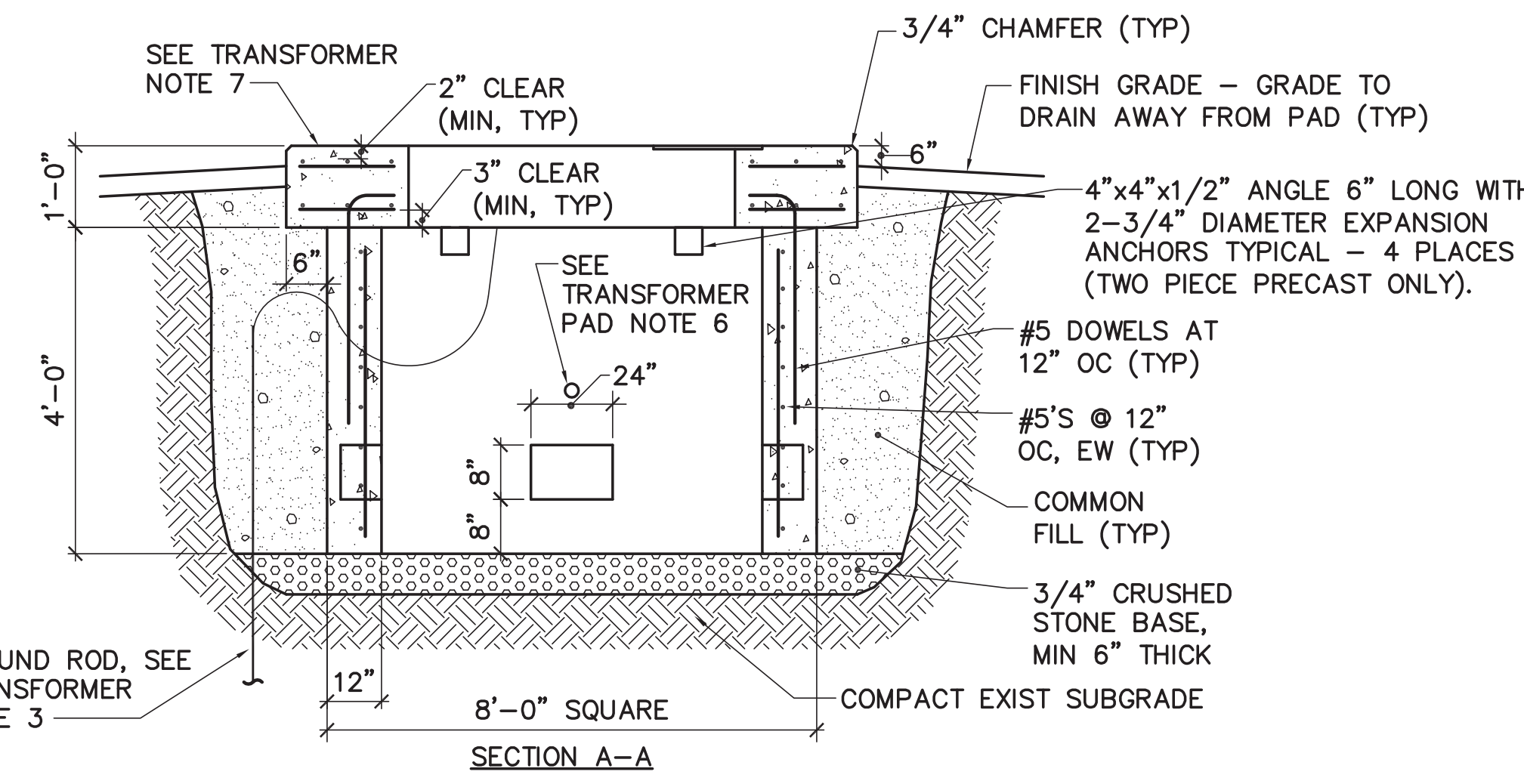
7 ELECTRIC SERVICE TRENCH DETAIL

CS101
C-501/NOT TO SCALE



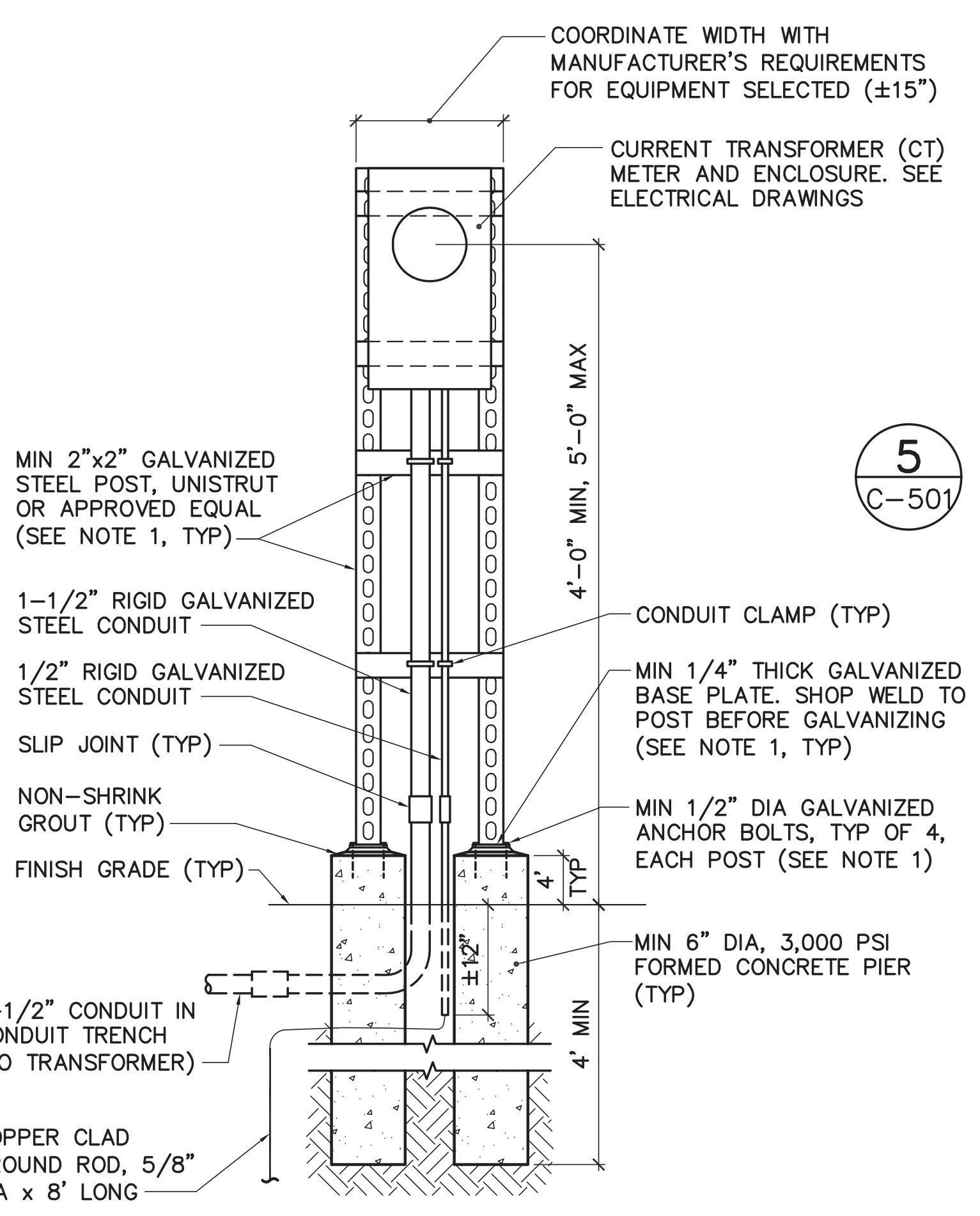
8 TRANSFORMER PAD DETAIL

CS101
C-501/NOT TO SCALE



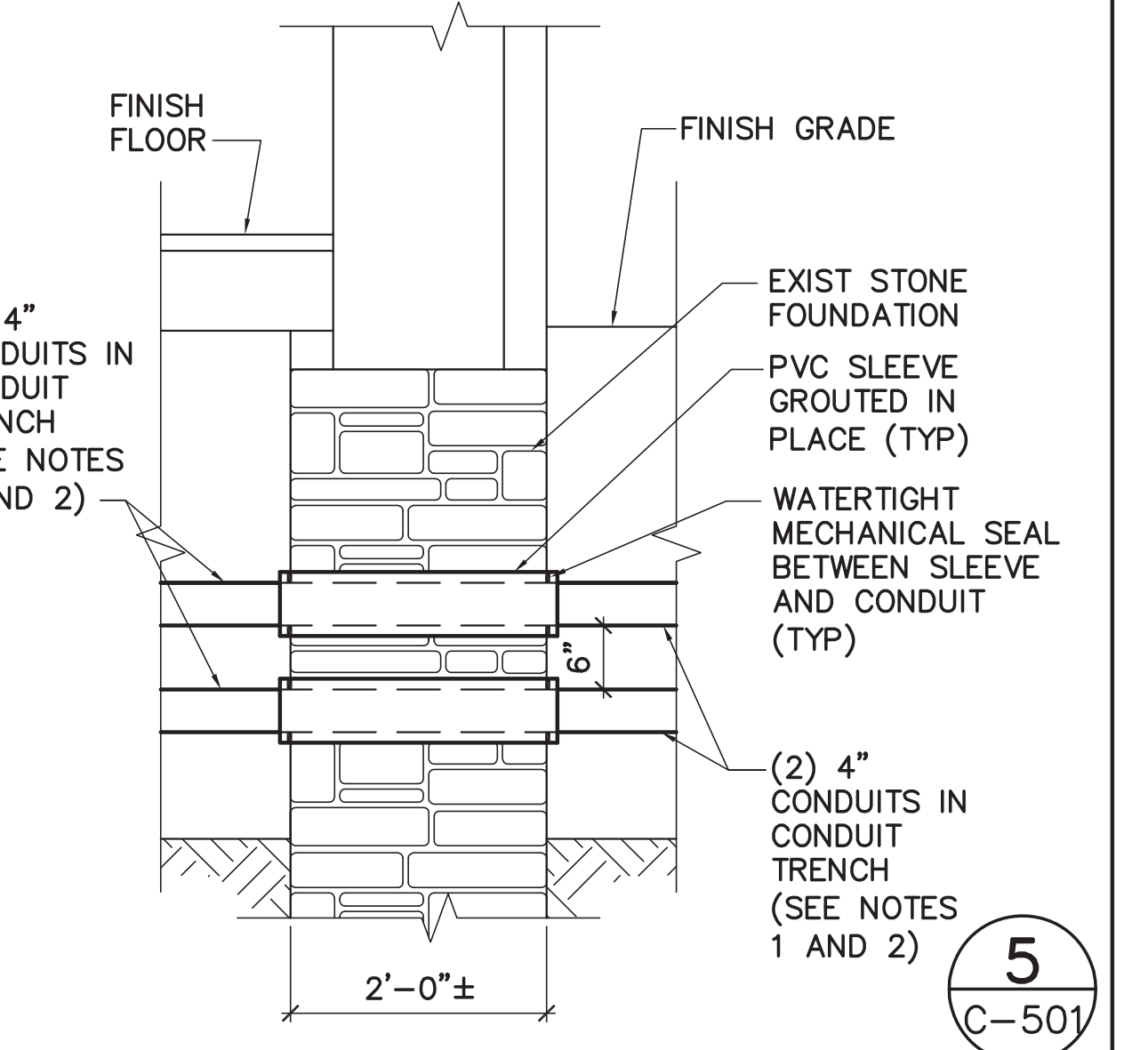
6 CONDUIT TRENCH DETAIL

CS101.CS102.C-501.C-502
C-501/NOT TO SCALE



9 METER PEDESTAL DETAIL

CS101
C-501/NOT TO SCALE



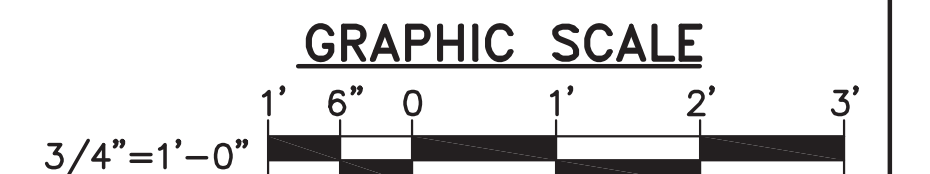
10 DUCT BANK ENTRANCE DETAIL

CS101.CS102
CS101/SCALE: 3/4"=1'-0"

- TRANSFORMER PAD NOTES:**
- TRANSFORMER PAD SHALL COMPLY WITH ILLUSTRATION NO. 25, "LARGE (9'x9') THREE PHASE TRANSFORMER FOUNDATION" OF THE "CENTRAL MAINE POWER HANDBOOK OF REQUIREMENTS FOR ELECTRIC SERVICE AND METER INSTALLATIONS."
 - "FRONT" DENOTES THE SIDE ON WHICH THE ACCESS DOORS ARE LOCATED.
 - PROVIDE A 3/4" DIA. x 8' LONG COPPER CLAD GROUND ROD. INSTALL 6" IN FRONT OF THE LEFT FRONT CORNER OF THE FOUNDATION. THE TOP OF THE GROUND ROD SHALL BE 6" BELOW FINAL GRADE. A GROUND WIRE SHALL BE INSTALLED FROM THE GROUND ROD THROUGH THE CABLE HOLE AT THE BOTTOM OF THE PAD. 20' OF GROUND WIRE SHALL BE PROVIDED SO THAT IT CAN BE INSTALLED THROUGH THE TWO GROUNDING LUGS AND CONNECTED TO THE NEUTRAL SPADE.
 - CONCRETE COMPRESSIVE STRENGTH SHALL BE 4,000 PSI @ 28 DAYS. FOR CAST-IN-PLACE EARLY HIGH STRENGTH MAY BE USED WITH A MINIMUM OF SEVEN DAY CURE TIME. REINFORCING STEEL SHALL BE Fy = 60KSI

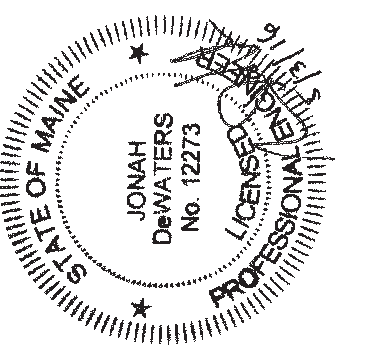
- CONDUIT TRENCH NOTES:**
- ALL VERTICAL CONDUIT BENDS AND RISERS SHALL BE RIGID GALVANIZED STEEL.
 - PROVIDE 24" MIN SEPARATION BETWEEN GAS LINES AND ELECTRICAL/COMMUNICATIONS CONDUITS.

- SERVICE LINE TRENCH NOTES:**
- CONFORM TO LOCAL UTILITY COMPANY REQUIREMENTS FOR MATERIALS AND INSTALLATION OF UNDERGROUND SERVICE ENTRANCE.



CHECK GRAPHIC SCALE BEFORE USING

FOR PERMITTING PURPOSES ONLY



DESIGNED BY: JSD
DRAWN BY: JSD
CHECKED BY: JSD
PROJECT: 21502.10

UNIVERSITY OF NEW ENGLAND
PORTLAND CAMPUS
STEVEN AVENUE ARMORY
716 STEVENS AVE
PORTLAND, MAINE 04103
T (207)285-0171

RENOVATIONS TO THE STEVENS AVENUE ARMORY

SITE DETAILS

SCALE: AS NOTED
DATE: 05-03-16

DWG. **C-501**

SHEET: 8 of 9