



NORRIS A. PREBLE CO., INC.

Plumbing & Heating
PO Box 59
MADISON ME 04950
(207) 696-5581 696-8107
FAX #696-3185

LETTER OF TRANSMITTAL

TO Rocky's Stove Shoppe
14 Brick & Mortar Drive
Augusta ME 04330

622-3410

DATE	10/4/16	JOB NO.
ATTENTION		
RE:	UNE Armory	

WE ARE SENDING YOU Attached Under separate cover via _____ the following items:

- Shop drawings
- Prints
- Plans
- Samples
- Specifications
- Copy of letter
- Change order
- Submittal

COPIES	DATE	NO.	DESCRIPTION
1			T & C TCWS-54 gas fireplace and accessories

THESE ARE TRANSMITTED as checked below:

- For approval
- For your use
- As requested
- For review and comment
- FOR BIDS DUE _____
- Approved as submitted
- Approved as noted
- Returned for corrections
- Furnish as corrected
- Resubmit _____ copies for approval
- Submit _____ copies for distribution
- Return _____ corrected prints
- PRINTS RETURNED AFTER LOAN TO US

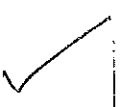
REMARKS

Please note the attached changes for Tranquility burner and Metropolitan stone set - color gray

COPY TO File _____

SIGNED: Robert M. Veneziano

If enclosures are not as noted, kindly notify us at once.





OAK POINT
ASSOCIATES

architecture
engineering
planning

SUBMITTAL REVIEW

Received: 08/15/2016

Ledgewood Job Name: **UNE Armory Renovations**
Ledgewood Job No.: 16668
Ledgewood Submittal No.: 56 / 0

OPA Submittal No.: AE403

Title: **Gas Fireplace and Accessories**

OPA Job No.: 21502.10

Project: **Renovations to Stevens Avenue Armory**
University Of New England
Portland, Maine

REVIEWED

REVISE AND
RESUBMIT

REJECTED

FURNISH AS
CORRECTED

Corrections or comments made on the shop drawings during this review do not relieve contractor from compliance with requirements of the drawings and specifications. This check is only for review of the general conformance with the design concept of the project and general compliance with the information given in the contract documents. The contractor is responsible for confirming and correlating all quantities and dimensions; selecting fabrication processes and techniques of construction; coordinating his or her work with that of all other trades and performing all work in a safe and satisfactory manner.

OAK POINT ASSOCIATES
231 MAIN STREET
BIDDEFORD, ME 04005

TGB 9.22.16.
By Date

*- PROVIDE TRANQUILITY Burner & Metropolitan Stone Set, color
GRAY. (Addendum # 2).*



Ledgewood Construction
 27 Main Street
 South Portland, Maine 04106
 United States
 207.767.1866

UNE Armory Renovations
 Job #:16668
 772 Stevens Avenue,
 Portland, Maine 04103.

Submittal #56 - Gas Fireplace and Accessories

To:	Barter, Tyler (Oak Point Associates) Construction Admin., Submittals and RFI's (Oak Point Associates)	Due Date:	08/23/16
From:	Paula Paine (Ledgewood Construction)	Date:	08/15/16 Date: 08/15/16
Submittal Type:	Product Information	For:	
Specification Section:	Drawing AE403 - T & C TCWS 54 Gas Fireplace and Accessories	Submittal Number / Revision:	56 / 0
Copies To:	Hogan, Gregory (UNE)	Status:	Open

Ledgewood Construction has reviewed this submittal for the general acceptance and compliance with the contract documents. The Subcontractor / Supplier is responsible for all dimensions, correct fabrication and accurate fit with the work of other trades.

Description:

Fire Places

References / Attachments

- Drawing AE403 Gas Fireplace and Accessories UNE Arm #56.pdf

Approver Responses

Approver Name	Date Sent	Date Returned	Status	Attachments	Comments
Tyler Barter	08/15/16		Pending	None	
Submittals and RFI's Construction Admin.	08/15/16		Pending	None	

NORRIS A. PREBLE CO., INC.
 Plumbing & Heating
 PO Box 59
 MADISON ME 04950
 (207) 696-5581 696-8107
 FAX #696-3185

LETTER OF TRANSMITTAL

TO Ledgewood Construction
27 Main Street
So. Portland ME 04106

DATE	8/11/16	JOB NO.
ATTENTION		
PER	UNE Armory Renovations	

WE ARE SENDING YOU Attached Under separate cover via _____ the following items:
 Shop drawings Prints Plans Samples Specifications
 Copy of letter Change order Submittals

COPIES	DATE	NO.	DESCRIPTION
1			Drawing AE403 (no spec. section available) T & C TCWS 54 gas fireplace and accessories

THESE ARE TRANSMITTED as checked below:
 For approval Approved as submitted Resubmit _____ copies for approval
 For your use Approved as noted Submit _____ copies for distribution
 As requested Returned for corrections Return _____ corrected prints
 For review and comment _____
 FOR BIDS DUE _____ PRINTS RETURNED AFTER LOAN TO US

REMARKS _____

COPY TO File SIGNED: Robert M. Veneziano

If enclosures are not as noted, kindly notify us at once.

© 2016 Copyright Pacific Energy Fireplace Products LTD

Reproduction, adaptation, or translation
without prior written permission is prohibited,
except as allowed under the copyright law.



For technical support, please contact your retailer.

**Web site: www.townandcountryfireplaces.net
2975 Allenby Rd., Duncan, BC V9L 6V8**

Printed in Canada



This email has been checked for viruses by Avast antivirus software.
www.avast.com



This email has been checked for viruses by Avast antivirus software.
www.avast.com

INSTALLER: Leave this manual with the appliance.
CONSUMER: Retain this manual for future reference.

WARNING: If the information in these instructions is not followed exactly, a fire or explosion may result causing property damage, personal injury or death.

FOR YOUR SAFETY

Installation and service must be performed by a qualified installer, service agency or the gas supplier.

What To Do If You Smell Gas

- Do not try to light any appliance.
- Do not touch any electrical switch.
- Do not use any phone in your building.
- Immediately call your gas supplier from a neighbour's phone. Follow the gas supplier's instructions.
- If you cannot reach your gas supplier call the fire department.

Do not store or use gasoline or other flammable vapors and liquids in the vicinity of this or any other appliance.

This appliance may be installed in an aftermarket permanently located, manufactured home (USA only) or mobile home, where not prohibited by local codes.

This appliance is only for use with the type of gas indicated on the rating plate. This appliance is not convertible for use with other gases, unless a certified kit is used.

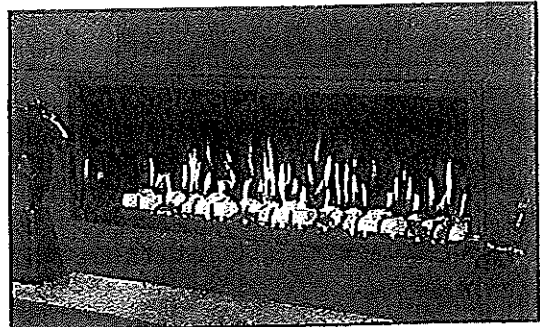
This appliance is suitable for installation in a bedroom or bed sitting room.



TOWN & COUNTRY
LUXURY FIREPLACES

SERIAL #

TCWS54 INSTALLATION AND OPERATING INSTRUCTIONS




MODEL:
TCWS54 SERIES D
MODULAR DIRECT
VENT FIREPLACE

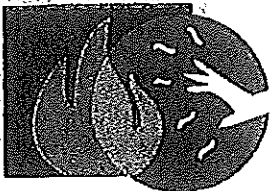
Visit www.townandcountryfireplaces.net for the most recent version of this manual

Table of Contents

Caulion	3	Vent Restrictor Adjustment	26
Safety	3	Roof Termination Kit	26
Important Note for the Commonwealth of Massachusetts:	4	Vent Pipe Dimensions	27
Fireplace Dimensions	5	Vent Offset Chart	28
Minimum Clearances to Combustible Material	5	Firebox Panels Installation	29
Installation Requirements	6	Upper panel installation note for series "D" fireplaces	29
Manufactured (Mobile) Home	6	Finishing Touch Trim Kit Instructions	30
Window Frame Removal	6	Lighting Instructions	31
Top Standoffs	7	First Fire	32
Locating The Fireplace	7	Special Operator Note	32
Framing and Finishing	8	Remote Control Operation	32
Removing LED light wire retaining clip	9	Fireplace Description	34
Non - combustible board area	10	Transmitter (Remote Control with LCD Display).....	34
Steel Stud Framing Kit	11	IFC Module.....	34
Frame Assembly	12	Operating Procedure.....	34
Adjustable Lintel	13	Initializing the Fireplace for the first time.....	34
Electrical	14	Using the Remote Control Transmitter.....	35
Installation	14	Temperature Indication Display.....	35
Lintel Adjustment	14	Turn on the Fireplace.....	36
Wall Switch and Remote Control	16	Turn off the Fireplace.....	35
Linking the remote control unit to the wall switch.....	16	Manual Bypass of the Remote Fireplace	35
Selecting Natural Vent and Power Vent Modes	16	Remote Flame Control	36
Home Automation	17	Room Thermostat (Transmitter Operation).....	36
Gas Supply	18	Smart Thermostat (transmitter Operation).....	36
Gas Pressure Check	18	Instructions for enabling the Thermostat	
Correct gas pressure requirement:	18	function for Canadian users.....	36
Venting	19	Remote dimmer control (Light).....	37
Wall Termination Venting	19	Continuous Pilot/Intermittent Pilot (CPI/IPI) selection.....	37
Vent System Components	19	Key Lock	37
Roof Termination Venting	20	Low Battery Power Detection	37
Ceiling Opening:.....	20	Maintenance	38
Ceiling Firestop:	20	Glass Panel:	38
Vent Pipe:	20	Annual Inspection:.....	38
Roof Support Bracket:	20	Periodically:.....	38
Roof Termination Venting Chart	21	TCWS.54D Replacement Parts	39
Roof Vent Terminal:	22	Replacement Parts – Valve Control System	40
Vent Terminal Minimum Clearances	23	Wiring Diagram	41
Vent Terminal Clearance	24	Quick Panel Removal for Valve Service	42
Roof Pitch Table	24	Rating Label	43
Vent Pipe Sealant	24		


DANGER

**HOT GLASS WILL CAUSE
BURNS.**



**DO NOT TOUCH GLASS UNTIL
COOLED.**

**NEVER ALLOW CHILDREN TO
TOUCH GLASS.**

**A barrier designed to reduce the risk of burns from the
hot viewing glass is provided with the appliance and
shall be installed for the protection of children and
other at-risk individuals.**

Caution

FOR YOUR SAFETY - Do not install or operate your Town & Country fireplace without first reading and understanding this manual. Any installation or operational deviation from the following instructions voids the Town & Country Fireplaces™ Warranty and may prove hazardous.

This appliance and its individual shut off valve must be disconnected from gas supply piping system during any pressure testing of that system at test pressures in excess of 1/2 psig (3.5 kPa).

This appliance must be isolated from the gas supply piping system by closing its individual manual shut off valve during any pressure testing of the gas supply piping system at test pressures equal to or less than 1/2 psig (3.5 kPa).

Note: When lit for the first time, the appliance will emit a slight odour for a couple of hours. This is due to the curing of paints, sealants and lubricants used in the manufacturing process. This condition is temporary. Open doors and windows to ventilate area. Smoke and fumes caused by the curing process may cause discomfort to some individuals.

Do not use the fireplace if any part has been under water. Immediately call a qualified service technician to inspect the fireplace and to replace any part of the control system and any gas control which has been under water.



We recommend that our gas hearth products be installed and serviced by professionals who are certified in the United States by the National Fireplace Institute® (NFI) as NFI Gas Specialists

Safety

Due to high temperatures, this gas appliance should be located out of traffic and away from furniture and draperies.

Children and adults should be alerted to the hazards of high surface temperatures and should stay away to avoid burns or clothing ignition.

Young children should be carefully supervised when they are in the same room as the appliance. Toddlers, young children, and others may be susceptible to accidental contact burns. A physical barrier is recommended if there are at-risk individuals in the house. To restrict access to a fireplace or stove, install an adjustable safety gate to keep toddlers, young children, and other at-risk individuals out of the room and away from hot surfaces.

Clothing or other flammable material should not be placed on or near the appliance.

Any grill, panel or door removed for servicing the unit must be replaced prior to operating. Failure to do so may create a hazardous condition.

Installation and repair should be done by a qualified service person. The appliance should be inspected before use and at least annually by a professional service person. More frequent cleaning may be required due to excessive lint from carpeting, bedding material, etc. It is imperative that control compartments, burners and circulating air passageways of the appliance be kept clean.

It is our policy that no responsibility is assumed by the Company or by any of its employees or representatives for any damages caused by an inoperable, inadequate, or unsafe condition which is the result, either directly or indirectly, of any improper operation or installation procedures.

This appliance must not be connected to a chimney flue serving a separate solid fuel burning appliance.

Important Note for the Commonwealth of Massachusetts:

From Massachusetts Rules and Regulations 248 CMR 5.08:

- (a) For all side wall horizontally vented gas fuelled equipment installed in every dwelling, building or structure used in whole or in part for residential purposes, including those owned or operated by the Commonwealth and where the side wall exhaust vent termination is less than seven (7) feet above finished grade in the area of the venting, including but not limited to decks and porches, the following requirements shall be satisfied:
1. **INSTALLATION OF CARBON MONOXIDE DETECTORS.** At the time of installation of the side wall horizontal vented gas fuelled equipment, the installing plumber or gas fitter shall observe that a hard wired carbon monoxide detector with an alarm and battery back-up is installed on the floor level where the gas equipment is to be installed. In addition, the installing plumber or gas fitter shall observe that a battery operated or hard-wired carbon monoxide detector with an alarm is installed on each additional level of the dwelling, building or structure served by the side wall horizontal vented gas fuelled equipment. It shall be the responsibility of the property owner to secure the services of qualified licensed professionals for the installation of hard-wired carbon monoxide detectors.
 - a. In the event that the side wall horizontally vented gas fuelled equipment is installed in a crawl space or an attic, the hard-wired carbon monoxide detector with alarm and battery back-up may be installed on the next adjacent floor level.
 - b. In the event that the requirements of this subdivision cannot be met at the time of completion of installation, the owner shall have a period of thirty (30) days to comply with the above requirements; provided, however, that during said thirty (30) day period, a battery operated carbon monoxide detector with an alarm shall be installed.
 2. **APPROVED CARBON MONOXIDE DETECTORS.** Each carbon monoxide detector as required in accordance with the above provisions shall comply with NFPA 720 and be ANSI/UL 2034 listed as IAS certified.
 3. **SIGNAGE.** A metal or plastic identification plate shall be permanently mounted to the exterior of the building at a minimum height of eight (8) feet above grade directly in line with the exhaust vent terminal for the horizontally vented gas fuelled heating appliance or equipment. The sign shall read, in print size no less than one-half (1/2) inch in size, "GAS VENT DIRECTLY BELOW. KEEP CLEAR OF ALL OBSTRUCTIONS."
 4. **INSPECTION.** The state or local gas inspector of the side wall horizontally vented gas fuelled equipment shall not approve the installation unless, upon inspection, the inspector observes carbon monoxide detectors and signage installed in accordance with the provisions of 248 CMR 5.089(2)(a) 1 through 4.
- (b) **EXEMPTIONS.** The following equipment is exempt from 248 CMR 5.089(2)(a) 1 through 4.
1. The equipment listed in Chapter 10 entitled "Equipment Not Required To Be Vented" in the most current edition of NFPA 54 as adopted by the Board; and
 2. Product Approved side wall horizontal vented gas fuelled equipment installed in a room or structure separate from the dwelling, building or structure used in whole or in part for residential purposes.
- (c) **MANUFACTURER REQUIREMENTS – GAS EQUIPMENT VENTING SYSTEM PROVIDED.** When the manufacturer of Product Approved side wall horizontally vented gas equipment provides a venting system design or venting system components with the equipment, the instructions provided by the manufacturer for installation of the equipment and the venting system shall include:
1. Detailed instructions for the installation of the venting system design or the venting system components; and
 2. A complete parts list for the venting system design or venting system.
- (d) **MANUFACTURER REQUIREMENTS – GAS EQUIPMENT VENTING SYSTEM NOT PROVIDED.** When the manufacturer of a Product Approved side wall horizontally vented gas fuelled equipment does not provide the parts for venting the fuel gases, but identifies "special venting systems"; the following requirements shall be satisfied by the manufacturer.
1. The referenced "special venting system" instructions shall be included with the appliance or equipment installation instructions; and
 2. The "special venting systems" shall be Product Approved by the Board, and the instructions for that system shall include a parts list and detailed installation instructions.
- (e) A copy of all installation instructions for all Product Approved side wall horizontally vented gas fuelled equipment, all venting instructions, all parts lists for venting instructions, and/or all venting design instructions shall remain with the appliance or equipment at the completion of the installation.

As per dwg, AE403

Fireplace Dimensions

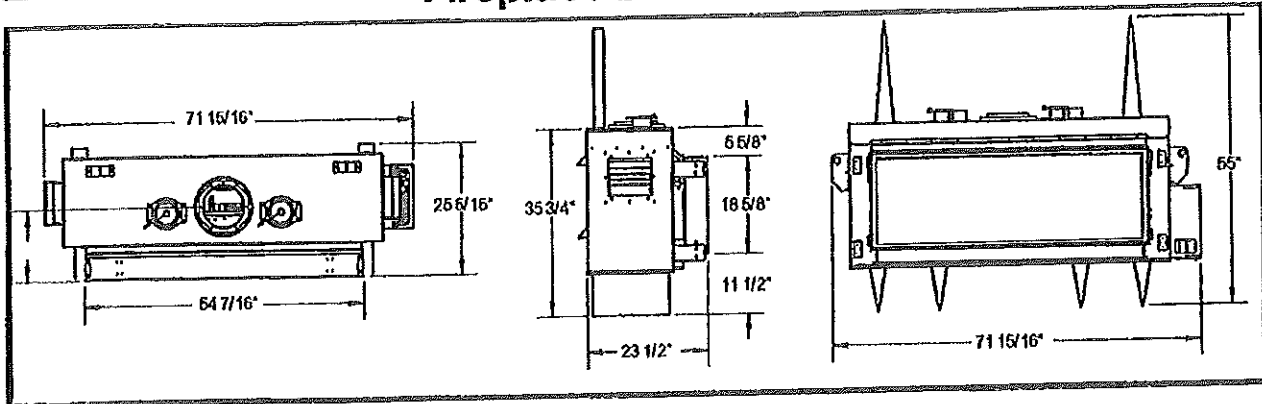


Figure 1: TCWS54 Dimensions.

Minimum Clearances to Combustible Material

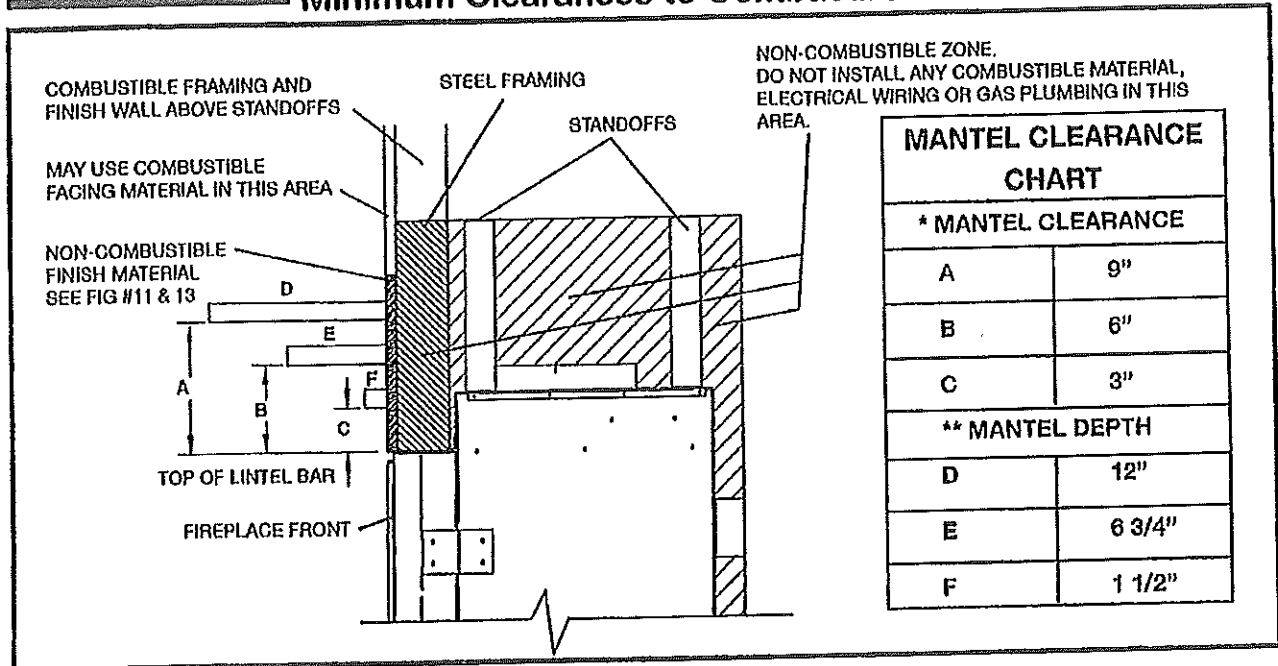


Figure 2: TCWS54D Mantel clearances.

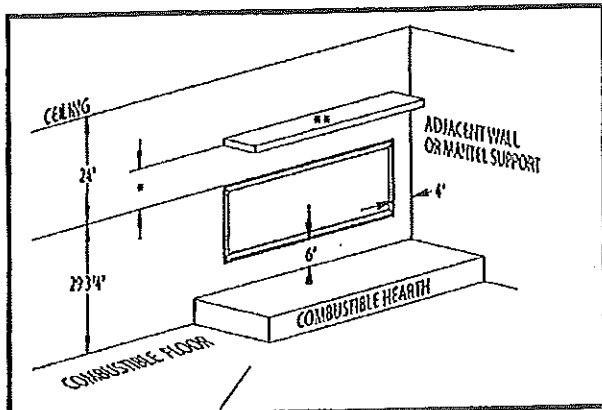


Figure 3: TCWS54D Minimum mantel clearances.

Minimum Clearances:

Slide standoffs	0 in.	(0 mm)
Back standoff	0 in.	(0 mm)
Top standoffs	0 in.	(0 mm)
Bottom of appliance	0 in.	(0 mm)
Adjacent side wall	4 in.	(102 mm)
Ceiling to appliance	24 in.	(610 mm)
*Mantel to appliance	See Figure #2	
**Maximum Mantel extension	See Figure #2	
Mantel support	4 in.	(102 mm)
Vertical vent pipe	1 3/4 in.	(45 mm)



Installation Requirements

The Town & Country Fireplace Installation and venting must conform to the current CAN/CGA-B149 Installation code (in Canada) or the current National Fuel Gas Code, ANSI Z223.1 (in the USA), and approved per local codes. Only qualified (licensed or trained) personnel should install this product.

In the state of Massachusetts, only a licensed Plumber and Gas Fitter may install this product.

Manufactured (Mobile) Home

In some jurisdictions, the Town & Country Fireplace may be installed in Manufactured Homes after the "first sale". Consult local codes for approval. The fireplace must be fastened in place.

Install in accordance with the current standard Mobile Homes, CAN/CSA Z240 MH (in CANADA), and the Manufacturer's Home Construction and Safety Standard, Title 24 CFR, Part 3280 or the current Standard for Fire Safety Criteria for Manufactured Home Installations, Sites and Communities ANSI/NFPA 501A (in the USA).

Window Frame Removal

Warning: Turn off the fireplace, and allow ample time for the unit to cool before proceeding.

Caution: The ceramic glass is very fragile, and should be handled with care.

The window frame is held in place by two spring-loaded latches that are operated by a one-piece latch handle.

1. Remove safety barrier screen (Figure 4) by prying the top portion of the screen toward you, then lift the screen from its tabs (inset) located at the base of the window frame.
2. Remove the TC Finishing Touch Trim Kit from the window frame. (If installed)
3. Using a screwdriver (Figure 5) or other similar object, push against the notch in the top of the latch and grab the bottom of the latch handle as it protrudes (Figure 6). Lift handle until latch hook disengages. Repeat for other side while holding glass so it does not tip out.
4. Tilt the top of the window frame out to clear the top edge of the unit. Grasp the sides of the frame and lift up and out to disengage from its bottom track.
5. Place the window frame in a safe place to avoid damage.
6. Re-assemble in reverse order. Latch handle should snap into place and be flush with window frame when engaged correctly.
7. Reinstall Trim Kit if required.
8. Reinstall safety barrier screen.

TIP:

To ensure glass is properly latched, grasp the top left and right sides of the glass frame, under moderate pressure it should pull forward and return to original position evenly on both sides.

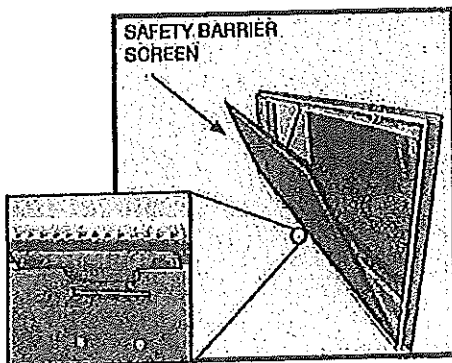


Figure 4: Safety barrier screen.

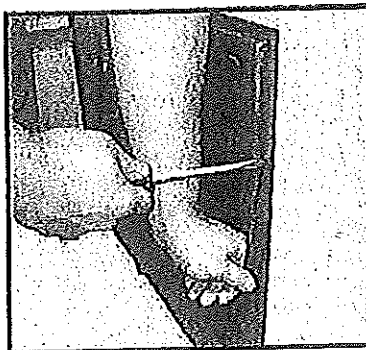


Figure 5: Accessing handle.

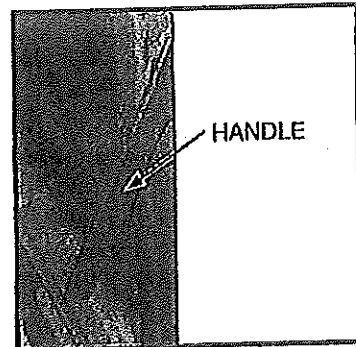


Figure 6: Handle.

Top Standoffs

The standoffs are shipped loose inside the fireplace and must be installed on the top and the side of the fireplace as shown in Figure 7. Do this once the fireplace is on site and in position.

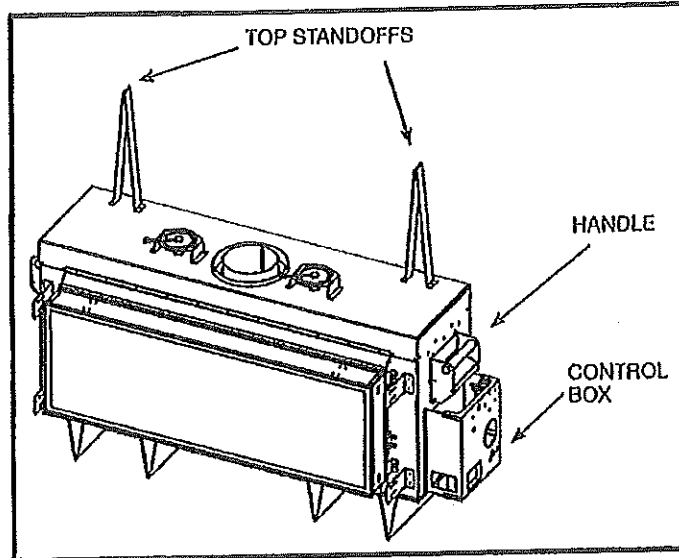


Figure 7: TCWS54D Stand offs.

Locating The Fireplace

In planning the installation for the fireplace, it is necessary to determine where the unit is to be installed, location of vent system and where gas supply piping may be plumbed. Various installations are possible, such as, into an existing wall, a corner, a built-in wall or a wall projection (Figure 8). Due to high temperatures, do not locate this fireplace in areas of high traffic or near furniture or draperies.

The minimum clearances from the fireplace to combustible surfaces must be adhered to and are shown in Figure 2 and Figure 3.

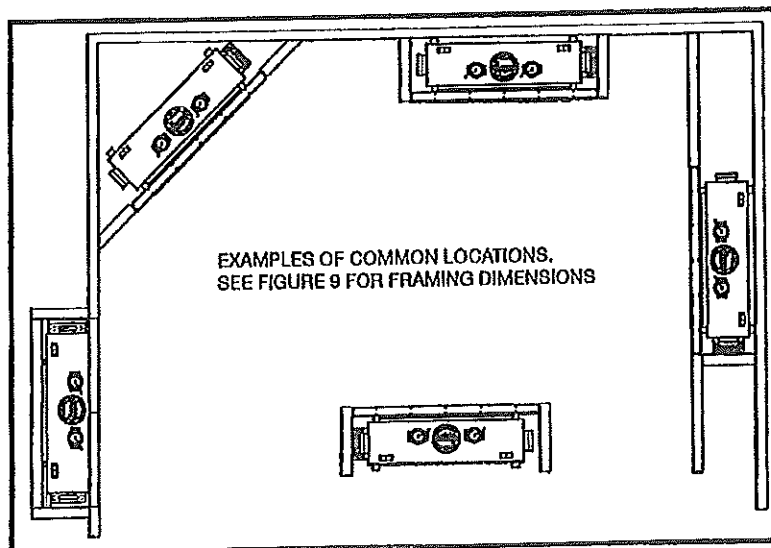


Figure 8: TCWS54D Possible locations.



Framing and Finishing

Note: The fireplace should be in place and venting installed before framing in or building an enclosure around the unit.

The Town & Country fireplace must be framed in as described below or totally enclosed with non-combustible material, such as facing brick.

Determine the total thickness of facing material to be used. A thickness of 3/4" will allow the finishing surface to be flush with the front of the unit. If preferred, additional masonry type non-combustible material can be installed above and to the sides up to 6 inches forward of the appliance. The finishing material must not interfere with glass frame access.

A Steel Stud Framing Kit is supplied with the fireplace and must be used unless the fireplace is totally enclosed with non-combustible material. Assemble the framing kit as per the instructions on pages 11 - 13 of this manual. Attach the steel frame to the fireplace once the fireplace is in its final position. Secure the

steel frame to the framing brackets on each side of the unit. Ensure that the studs are set back far enough to allow for thickness of finishing surface.

The sides, back and top of the fireplace can be framed in up to the steel studs and the fireplace standoffs using conventional lumber. Consult local building codes for specific requirements.

Due to high temperatures, non-combustible backer board, such as cement board or its equivalent, must be used to sheet in the front of the fireplace, extending 12" below, 12" above and 9 5/8" to the side of the framing edge bars (Figure 11). Standard sheetrock (dry wall) may be used beyond this.

If the backer board is not to be finished with other non-combustible material such as tiles, it is recommended that top sections of the board be a single sheet of calcium silicate board or its equivalent. Taped and mudded joints may crack due to the elevated temperatures.

Chase Insulation:

When installing this fireplace against a non-insulated exterior wall or chase, it is recommended that the outer walls be insulated to same degree as other exterior walls. Do not place fireplace directly against the insulation. Cover the insulation and plastic vapour barrier with a solid surface, such as dry wall (sheet rock). Consult local codes. Do not insulate or use plastic vapour barrier within the framing kit.

CAUTION: See Figure 13 BEFORE PROCEEDING.

NOTE:

The chase must be properly sealed at the ceiling level or between floors in a multi-level installation.

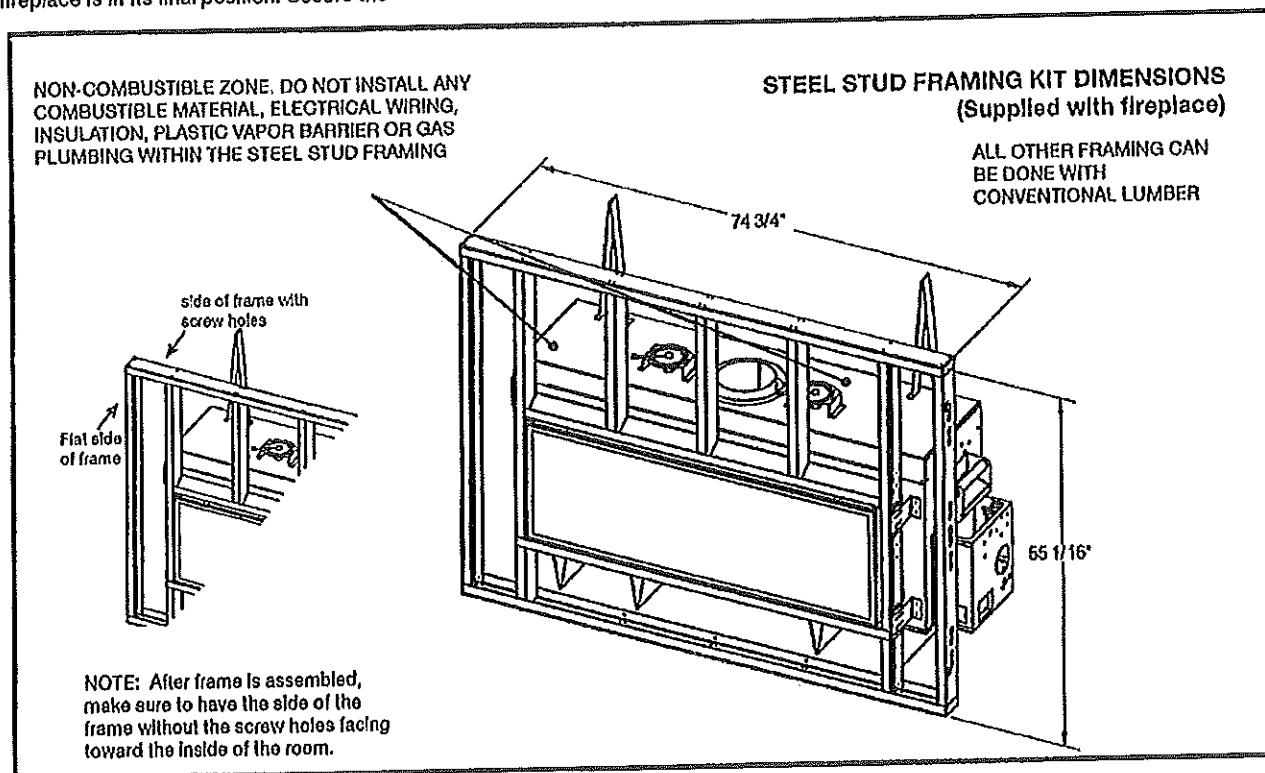


Figure 9: TCWS54D with steel frame.

Removing LED light wire retaining clip

NOTE: This fireplace ships with the light wiring secured in retaining clips. Remove light wiring from the retaining clip before installing and walling up the fireplace.

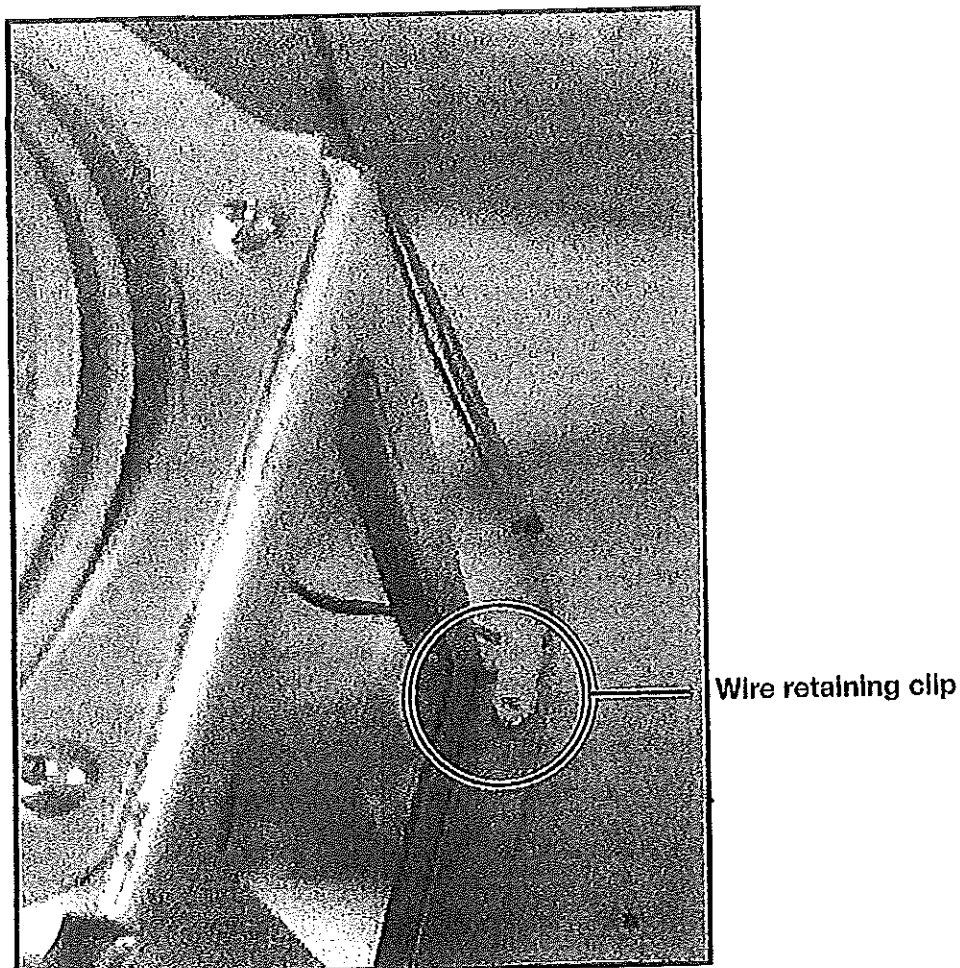


Figure 10: Light wiring retaining clip.



Steel Stud Framing Kit

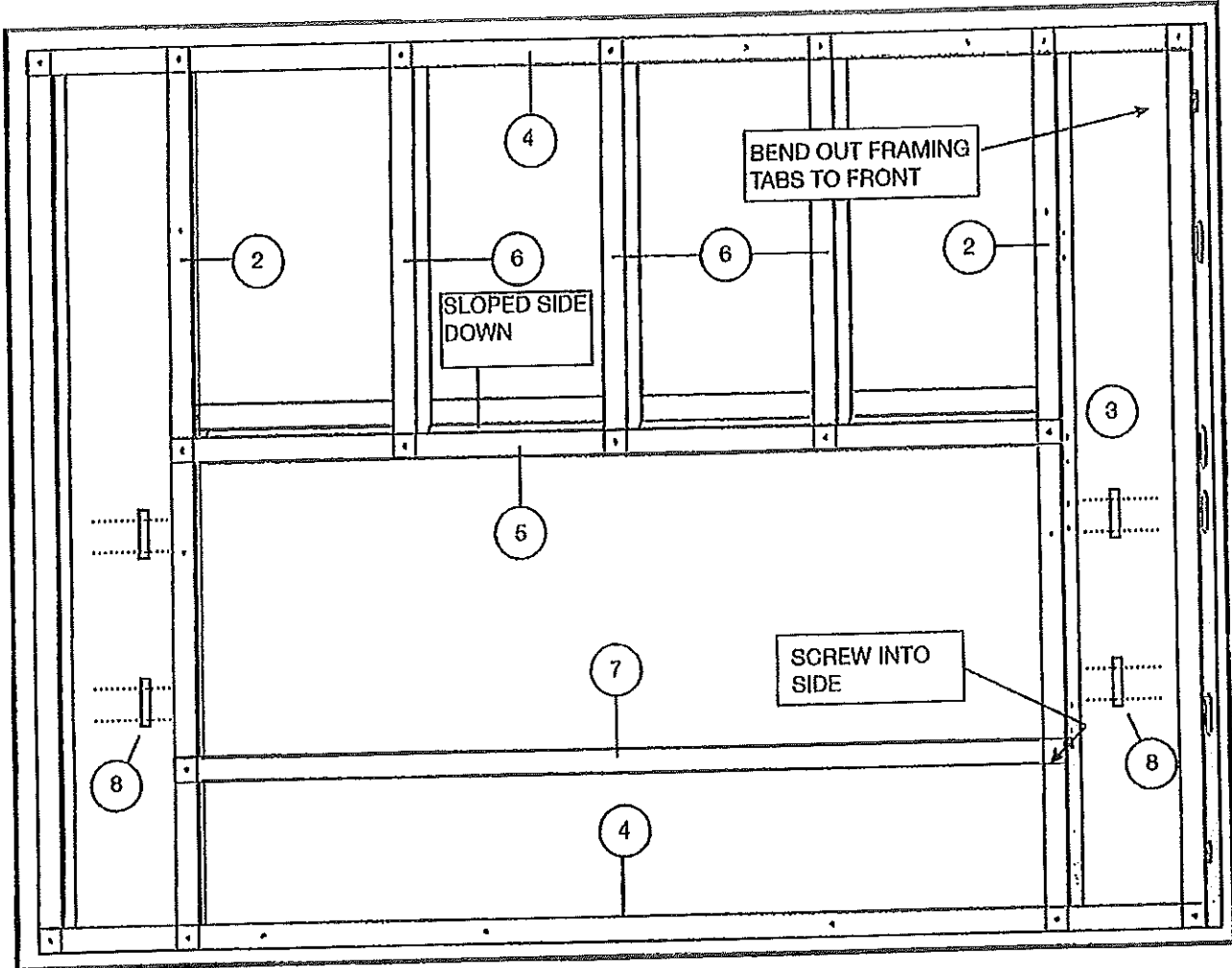


Figure 15: TCWS54D Framing kit.

FRONT VIEW (slightly angled)

Each Kit Contains:

Item	Description	Qty.
1	SCREW, WAFER #8 x 1/2 (Not shown)	Pkg 40
2	STUD, SIDES 65" L	2
3	STUD, OUTER SIDES 65" L	2
4	STUD, UPPER/LOWER 74 3/4" L	2

Item	Description	Qty.
5	INNER CROSS BRACE 66 5/8 L	1
6	STUD, CENTER 25" L	3
7	LOWER CROSS BRACE 66 5/8 L	1
8	FRAMING PLATE	4

NOTE: Sheet metal parts have sharp edges, use caution when handling.

Frame Assembly

1. On a flat surface, place 2 upper/lower studs (#4). One is to become the top-most horizontal stud and one is to become the bottom-most horizontal stud. Stand all pieces up on their narrow ends throughout assembly.
2. Place 3 center studs (#6) perpendicular to, and below the above horizontal beam at the beams 3 middle-most securing points. Make sure that the lower pointed ends of the center studs are closest to you. Use wafer screws (1) to join the top side of the vertical pieces to the horizontal piece.
3. Position Inner Cross Brace (#5) horizontally along the bottom ends of the 3 center studs (#6) and fasten with wafer screws to the center-most 3 positions along the cross brace. Cross brace should be perpendicular with the center studs and horizontal to the upper beam.
4. Position Side Studs (#2) at each end of the assembled frame so that the side studs are vertical and perpendicular to the upper stud and inner cross brace. Use wafer screws to fasten the side studs to the assembled frame.
5. Position the Lower Cross Brace (#7) - screen tab slots side up - between the two side studs and about 12" from the lower ends of the side studs. Attach each end of the lower cross brace to the side studs with wafer screws.
6. Place the lower horizontal beam at the bottom-most end of the frame. Attach the lower beam to the side studs leaving the ends of the lower horizontal beam extending out past the side studs so that it positioned in line with the upper horizontal beam.
7. Place and attach the two Outer Side studs at the ends of both the upper and lower beams and attach with wafer screws.
8. Once the top side of the frame is complete, turn it over so that the wafer screws can be used to fasten the other side of the frame.
9. Align the assembled frame to the unit framing plates (#8). Attach at the fastening points through the access holes (Figure 16) in the outer side studs (#3).

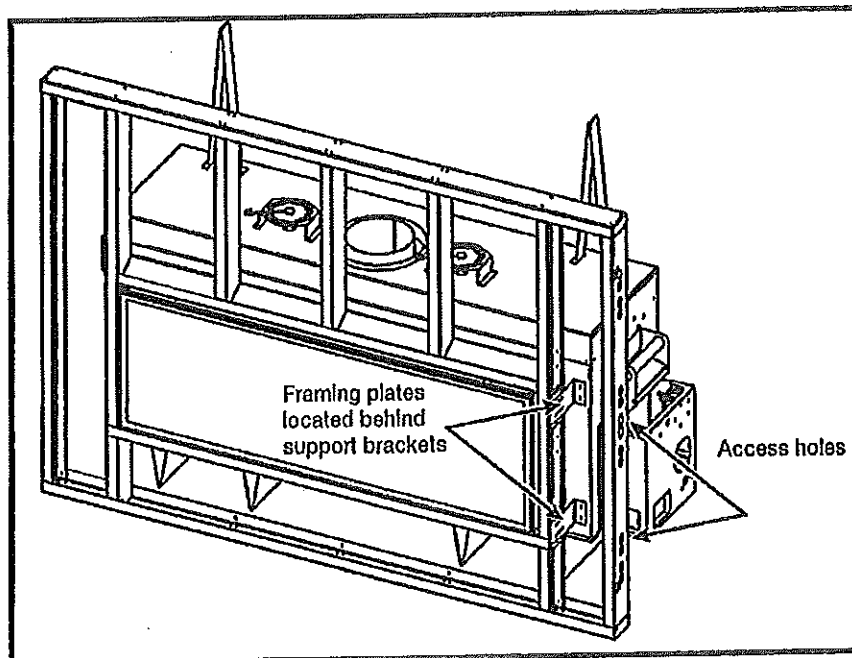


Figure 16: Aligning steel frame to fireplace.

Attach the Assembled Frame and fireplace to the combustible framing.

Bend out the tabs 90 degrees before inserting the unit into its framed housing (Figure 17).

Attach the assembled framing kit to the Fireplace.

Secure the frame assembly to the wood frame through the tabs (Figure 18).

Install Non-Combustible Board

Use drywall screws, #8, to install the non-combustible board.

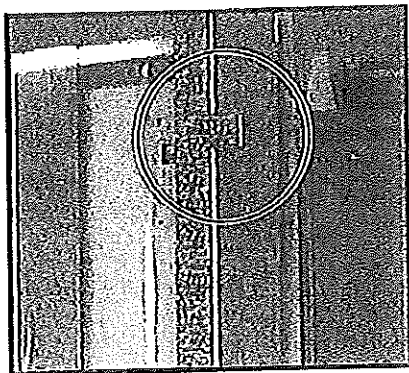


Figure 17: Bend tab out 90 degrees.

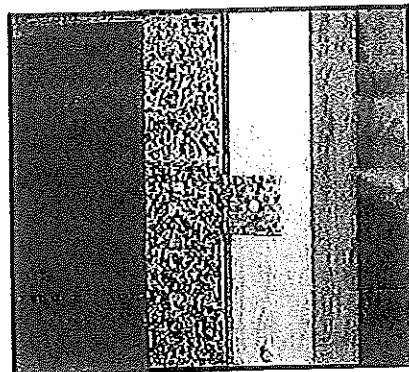


Figure 18: Attaching metal tab to frame.

Adjustable Lintel

This fireplace may be recessed up to a maximum depth of 4 1/2" - See "Figure 12" on page 10. This recess must be constructed from non-combustible material.

In addition, the space between the inside lintels and the firebox must be completely free of any obstructions or debris and the window with trim fitted must be able to move freely. No building material is permitted to protrude past the lintel bars attached to the fireplace under ANY circumstance (Figure 19).

NON-COMBUSTIBLE
FINISH MATERIAL

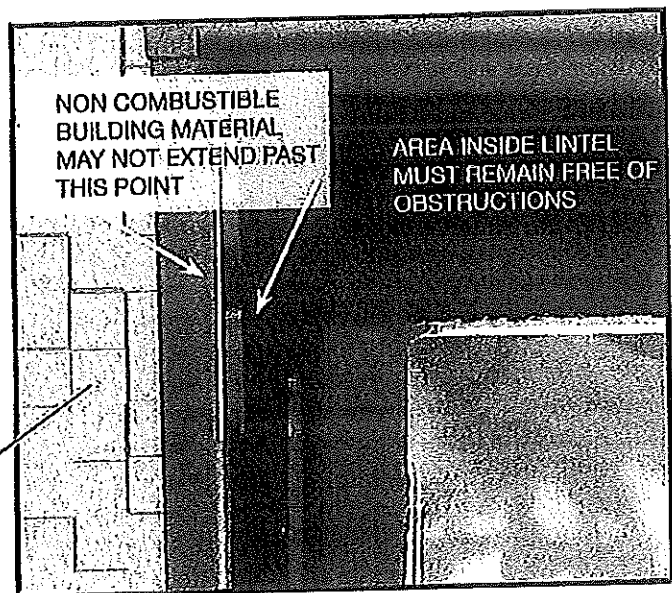


Figure 19: Framing edge location.

Lintel Adjustment

1. The adjustable lintel assembly has two orientations for desired finishing. The flanged edge and the hemmed edge (Figure 20). The lintel comes factory installed with the flange edge out. If the desired edge is different from the factory setting, use the following steps to change it.
2. Remove safety barrier screen.
3. Remove the window trim from the window frame.
4. Loosen the securing bolts in the upper and lower corners on each side of the lintel (Figure 21) and remove the lintel. Rotate the assembly to have the desired edge away from the fireplace.
5. The lintel assembly can then be adjusted to align flush with your facing material by sliding in or out approximately 1".
6. Tighten the securing bolts.
7. Re-attach the window trim.
8. Reinstall safety barrier screen.

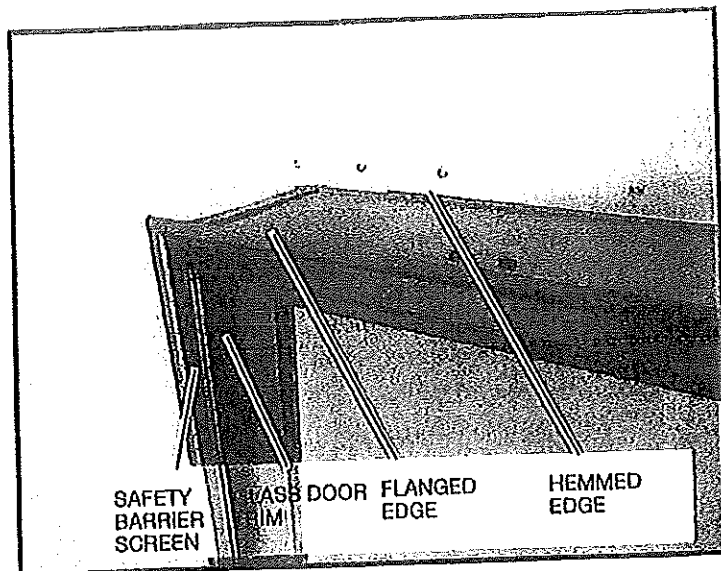


Figure 20: Lintel and trim.

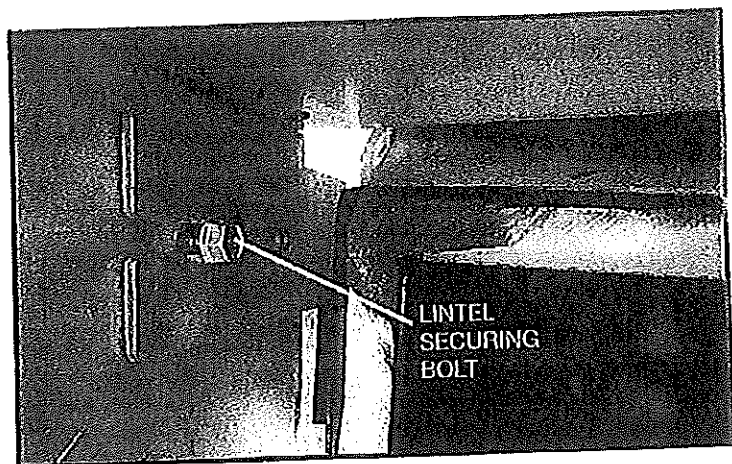


Figure 21: Lintel securing bolt.

Electrical

The gas control system is located on the right hand side of the firebox behind an access panel and the decorative firebox panel (if installed). The fireplace is operated via a wall control and a hand held remote control unit.

Note: Installation must be performed by a qualified installer, service agency or gas supplier.

The wall control is connected to the fireplace by a 40 ft. communication cable supplied with the fireplace.

Installation

1. Place the fireplace in the desired location.
2. Remove the window from the fireplace.
3. Remove access panel from right hand side of the firebox (Figure 22).

- Lift the control box heat shield from the bottom opening to clear the location tabs and pull inwards. Lower the heat shield to clear the top tab. Lift the heat shield and locate on the screw above the opening.

Note: The flex lines may have to be pushed down to allow the shield to be lowered enough to clear the top tab.

- Connect 110 V. AC electrical supply to the wires installed inside the junction box (Figure 25). The fireplace is rated at 110 volts, 60Hz, 0.25A. The optional power vent kit is rated at 115 volts, 60Hz, 1.8A.
- The electrical wires can be accessed from both inside and outside the junction box by removing one of the two small access panels (Figure 25 and Figure 26).
- Attach the wall switch to the framing in the desired location (40 ft is supplied with fireplace).

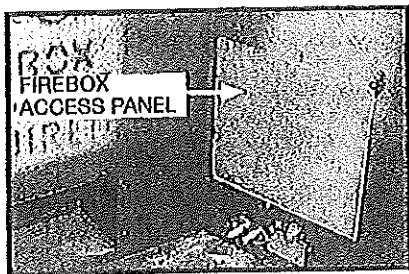


Figure 22: Firebox access panel.

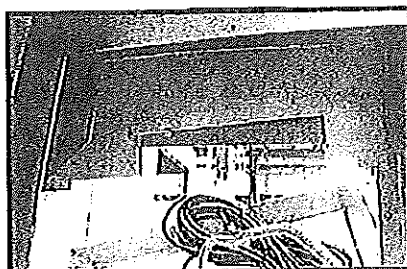


Figure 23: Heat shield raised.



Figure 24: Heat shield.

- Route the wall switch control cable (supplied) as required to the wall switch (Figure 28).
- Attach one end of the wall switch control cable to the wall control (Figure 28), and the other end to the Interface board (Figure 26).
- Insert the 4 supplied "AA" batteries into the battery pack of the wall switch (Figure 29).
- If not already installed, install the burner using the instructions supplied with the burner kit.
- Turn on the gas supply and check that all connections are tight and leak free.
- Turn on gas and electrical supplies.
- Move the center button on the wall control (Figure 27) to the "ON" position. The igniter will start to spark. After a short delay, the pilot will light followed by the main burner.

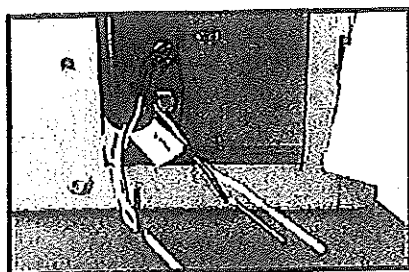


Figure 25: Junction box wiring.

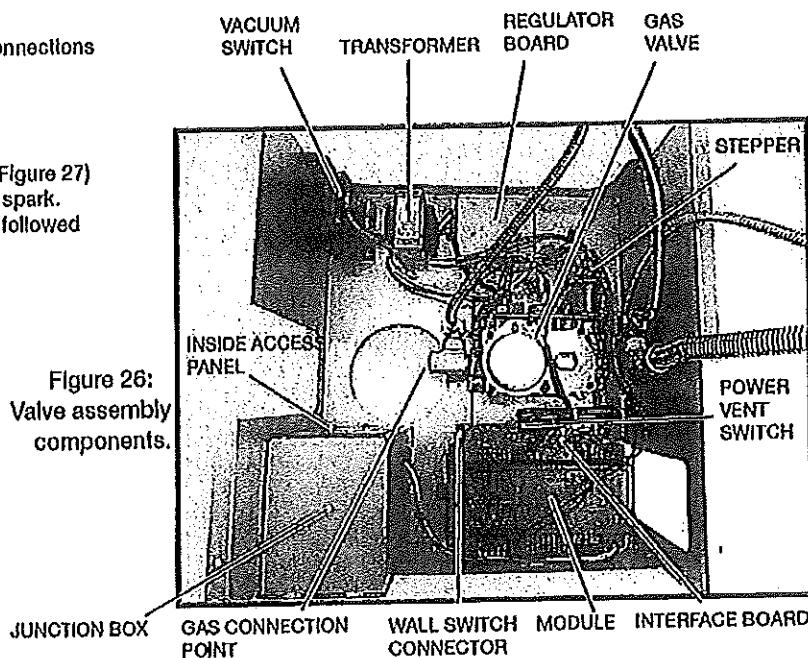


Figure 26: Valve assembly components.

Wall Switch and Remote Control

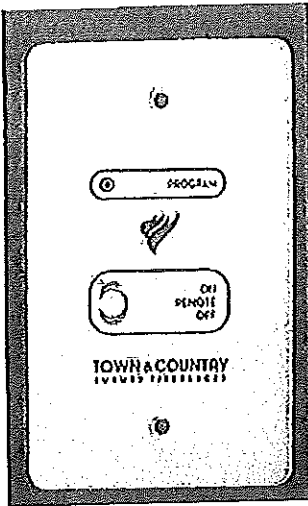


Figure 27: Town and Country wall switch.

Linking the remote control unit to the wall switch.

1. Begin by moving the selector toggle on the wall switch to the "REMOTE" position.
2. Insert a straightened paper clip into the "PROGRAM" slot on the wall switch.
3. Press the internal "PROGRAM" button once and wait until you hear 3 beeps from the wall switch.
4. Press the ON/OFF button of the remote unit. Once the wall unit beeps 3 times, the remote is programmed.
5. The toggle on the wall switch must be kept in the "REMOTE" position in order to use the remote control unit.

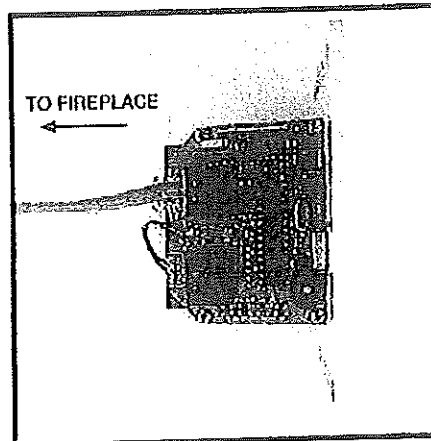


Figure 28: Wall switch - Interface side.

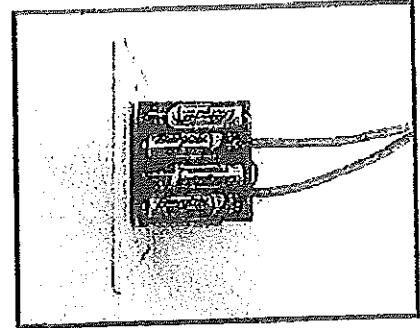


Figure 29: Wall switch - battery side.

Selecting Natural Vent and Power Vent Modes

The NV / PV (Natural Vent / Power Vent) switch (Figure 30) on the Interface board (Fig #24) is set according to which type of evacuating vent system is present. If the fireplace is vented without the assistance of a power vent, the switch should be set to "NV". If using a power vent, "PV" should be selected. Follow the instructions provided with the power vent kit for proper installation.

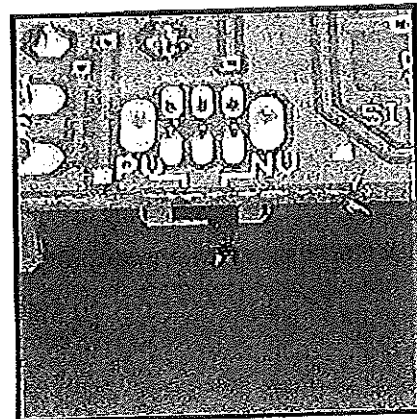


Figure 30: Vent mode selection switch.

Home Automation

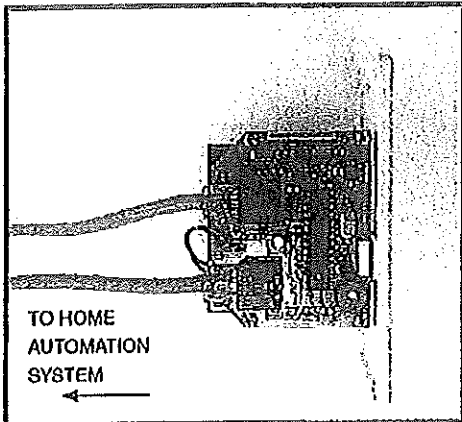


Figure 31: Complete communication wiring.

The home automation feature supplied with this fireplace is capable of controlling the flame and light on/off function with the use of a dry contact relay common to home automation systems. Furthermore, the flame and light level may be modulated from high to low using the 0 - 10 volt analog output available on most home automation systems.

Figure 31 shows the wire designations required to connect the fireplace to a home automation system.

NOTE:

When a signal has been supplied by the home automation system, the fireplace control will repeat the signal every 2 hours or until a new command has been received.

Leave the wall switch on the "Remote" setting when using home automation.

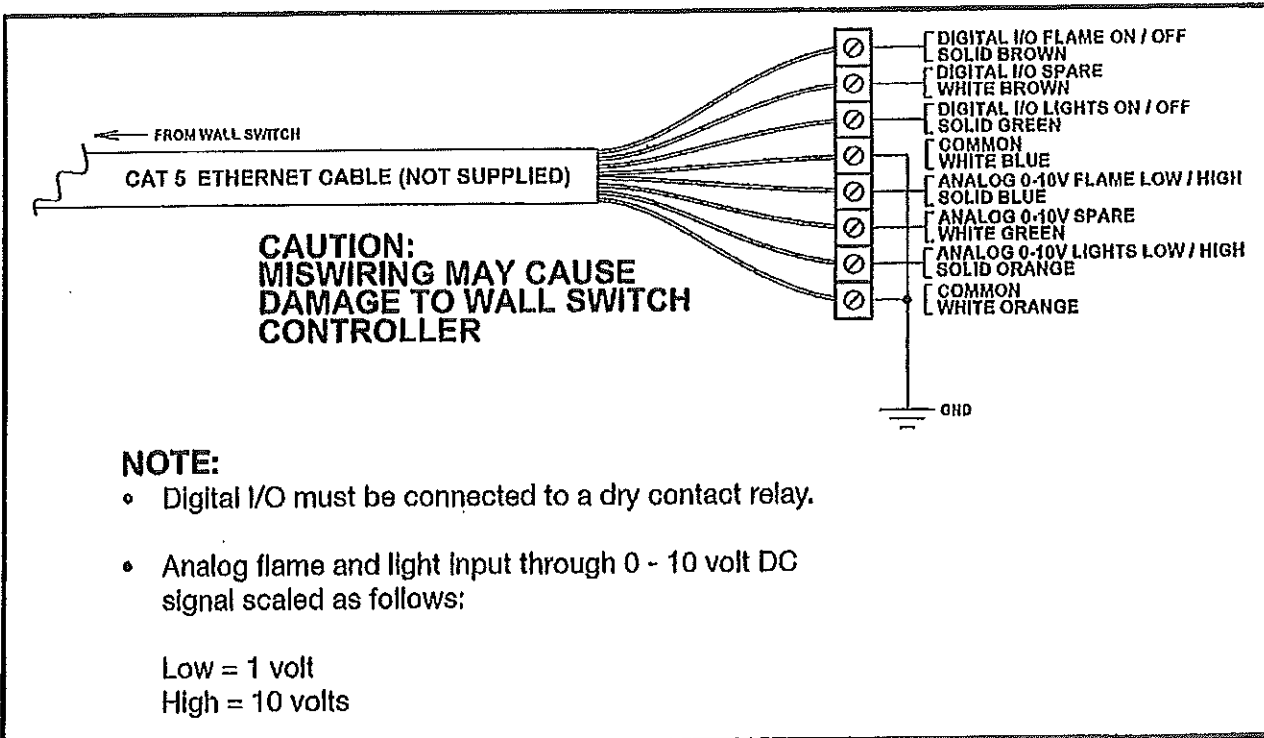


Figure 32: Home automation wiring.

Gas Supply

Caution: The gas line should be installed by a qualified service person in accordance with all building codes. This section is intended as a guide for qualified technicians installing this appliance. Consult local and / or national building codes before proceeding.

Gas supply line access holes are located at the top and left sides of the Control Box. Gas valve inlet accepts a 3/8" N.P.T. fitting. Correct gas line diameter must be used to assure proper operation and pressure.

NOTE: This fireplace has an input rate of 64,900 BTU/HR on both Natural Gas and Propane.

It is essential that a union or flanged connection be installed just upstream of the valve and inside the control compartment to allow for repair or replacement of the gas valve.

NOTE: A sediment trap, as per national fuel gas code, must be installed in the gas supply line no more than 6 feet from the gas control valve to minimize the possibility of any loose scale or dirt within the gas supply line from entering the control valve.

DO NOT HARD PIPE GAS LINE TO VALVE. A method of disconnecting the valve from the gas line such as a union or flare fitting must be provided to allow for repair or replacement of the gas valve.

Check local codes for additional requirements.

1. Connect the gas supply to the valve (Figure 26).
2. Turn on the gas supply and check that all connections are tight and leak free.

WARNING: The access panel including gasket must be reinstalled after conversion/installation or servicing has been completed. Failure to do so will cause overheating and premature failure of the control system.

Gas Pressure Check

Note: To test the gas pressure, turn off the gas supply before removing the plug from the supply pressure test port or manifold pressure test port.

Verify gas pressures with the fireplace lit and on the highest setting.

Please refer to the Burner Installation Manual for gas pressure testing procedure.

Correct gas pressure requirement:		
	Natural Gas	Propane
Min. Pressure (For purpose of input adjustment)	5.0" WC	12.5" WC
Max. Pressure	13.9" WC	13.9" WC
Manifold Pressure		
Maximum	3.5" WC	10" WC
Minimum	1.6" WC	6.4" WC

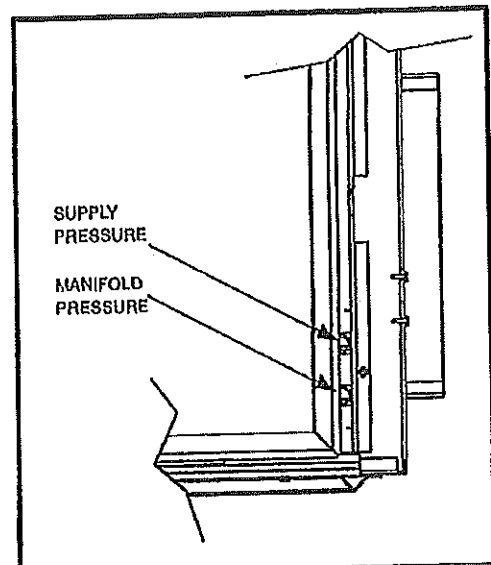


Figure 33: Test ports.

Venting

Before installing venting for this unit, the installer should read these instructions to insure that the proper vent configuration has been selected.

Use only Town and Country Termination kits #:
TCVT.RTA - Roof Termination Kit

For vent system components approved for use with the Town and Country Fireplace, See "Vent System Components" on page 19.

NOTE: Optional Power Vents (TCVT.PV1.25, TCVT.PV7.110 & TCVT.PVCV) require different venting. Please refer to Power Vent manuals.

Various combinations of vent runs may be used. See "Figure 36: Roof venting chart." on page 21 for details. For optimum performance and flame appearance, keep the vent length to a minimum and limit the number of elbows. Connections between each vent system component must be tightly joined, secured with sheet metal screws and sealed with provided high temperature self adhesive tape.

VENT SUPPORTS: A minimum of 1 support every 4' must be used.

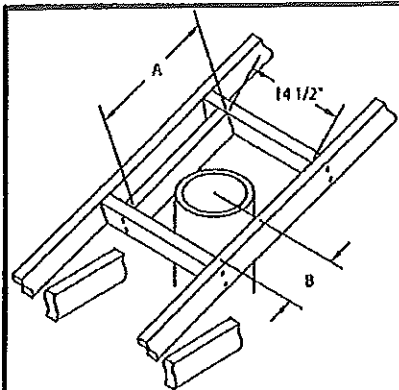
CAUTION: UNDER NO CONDITION SHOULD COMBUSTIBLE MATERIAL BE CLOSER THAN 1 3/4 INCHES FROM THE TOP AND 1 3/4 INCHES FROM THE SIDES OF A HORIZONTAL SECTION AND 1 3/4 INCHES FROM THE VERTICAL SECTIONS OF THE VENT PIPE.

Wall Termination Venting

This fireplace can only be wall terminated using the TCVT. PV1.25 or TCVT.PV7.110 power vent kit. Please see the instructions supplied with the kit for installation details.

Vent System Components Town & Country	
12" Pipe Length.....	TCVT.811X12
18" Pipe Length.....	TCVT.811X18
24" Pipe Length.....	TCVT.811X24
48" Pipe Length.....	TCVT.811X48
12" Adjustable Pipe Length.....	TCVT.811X12ADJ
45° Elbow	TCVT.811XLB45
Wall/Offset Support.....	TCVT.811XOS
A minimum of 1 support every 4' must be used.	
Roof Termination Kit.....	TCVT.RTA
Wall Shield/Ceiling Firestop.....	TCVT.THIMA
Roof Flashing, Adjustable	TCVT.811FLADJ
Roof Flashing, Flat	TCVT.811FLFLT
Roof Flashing, Steep.....	TCVT.811FLSTP
	or any flashing that fits 11" pipe

Roof Termination Venting



Size of the opening will have to increase with the pitch of the roof to ensure a 1 3/4" inch air space clearance between vent pipe and combustibles.

Roof Pitch	A	B
0/12	14 1/2"	7 1/4"
4/12	16 1/2"	8 3/4"
6/12	18"	10"
8/12	19 3/4"	11"
12/12	24"	13 3/4"

Ceiling Opening:

1. Determine the exact position of the fireplace so that the vent pipe is centered (if possible) between two building framing members. Lay out the vent system path, minimizing the number of elbows and length of vent. Consult your local building codes prior to proceeding.
2. Cut and frame a 14 1/2" opening in the floor, ceiling or roof where the vent system will pass. Size of the opening in the roof may need to be increased as the pitch of the roof increases. Avoid cutting rafters.

Ceiling Firestop:

Where a vent pipe passes through a floor or ceiling, a ceiling firestop (TCVT, THIMA) must be used to retain insulation and maintain proper clearances.

From below, push the ceiling firestop through the opening and secure in place. If the firestop is used to penetrate a floor, the outer shield may be trimmed in length. If the firestop penetrates into an attic, leave the shield full length to keep insulation away from the vent pipe. Additionally, after the vent pipe is in place, install a storm collar on top of the shield. This will prevent loose insulation from falling into the area between the vent pipe and the shield.

Figure 34: Roof opening frame.

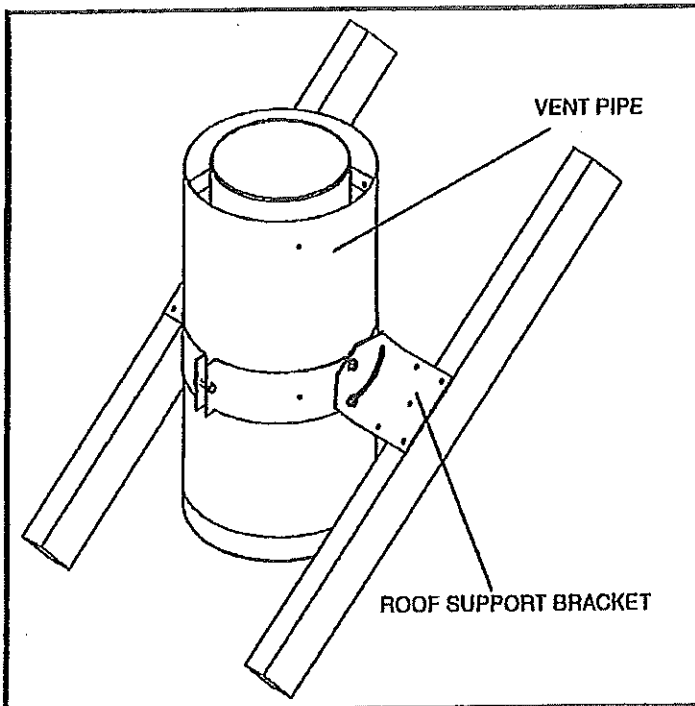


Figure 35: Roof support bracket.

Vent Pipe:

1. Install the first section of vent pipe into the collar on top of the fireplace. Secure in place with screws and seal with approved "High Temperature" self-adhesive aluminum tape provided.
2. Continue adding vent pipe lengths up and through the firestop(s) and through the roof. The vent pipe must extend at least 12" above the roof. Vent pipe may need to extend further depending on the roof pitch. For precise lengths, See "Roof Pitch Table" on page 24.

Seal the vent pipe as per "Vent Pipe Sealant" section.

Roof Support Bracket:

Slip the roof support bracket down over the vent pipe. Rotate the 90° brackets to accommodate roof pitch. Attach the brackets to the roof joists with nails or building screws. Tighten the band around the vent pipe and secure in place with screws.

Roof Termination Venting Chart

This fireplace can be roof terminated using either the TCVT, PVCV power vent kit or the TCVT,RTA direct vent kit. Please see the instructions supplied with the kit for installation details.

Various combinations of vent runs may be used. Refer to Fig. #32 for details. For optimum performance and flame appearance, keep the vent length to a minimum and limit the number of elbows. Connections between each vent system component must be tightly joined, secured with sheet metal screws and sealed.

CAUTION:

Under no condition should combustible material be closer than 1 3/4 inches from any part of the vent pipe.

Only 45° elbows can be used in this vent system. Maximum number of elbows is 2.

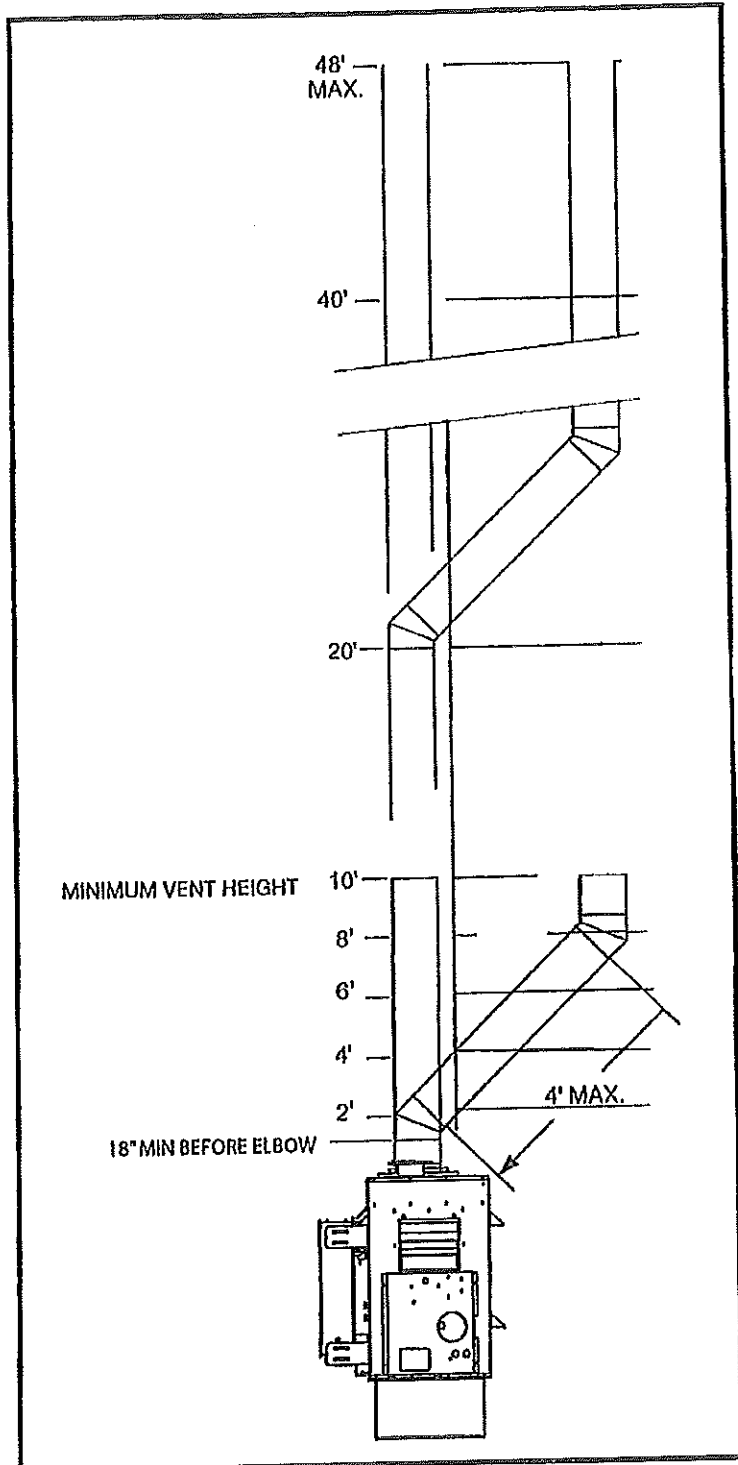


Figure 36: Roof venting chart.



Roof Vent Terminal:

1. Place the roof flashing over top of the vent pipe and seal it to the roof using the methods and materials appropriate for the type of roof on the building. Shingle roof example shown (Figure 37).
2. Place the storm collar down over the vent pipe until it is level. Tighten storm collar for a snug fit. Apply a thick horizontal ring of mastic around the pipe at top of the storm collar.
3. Lower the roof vent terminal cap over the vent pipe and secure in place with screws provided. Seal screw heads and joint with caulking to prevent any moisture entering the venting system.

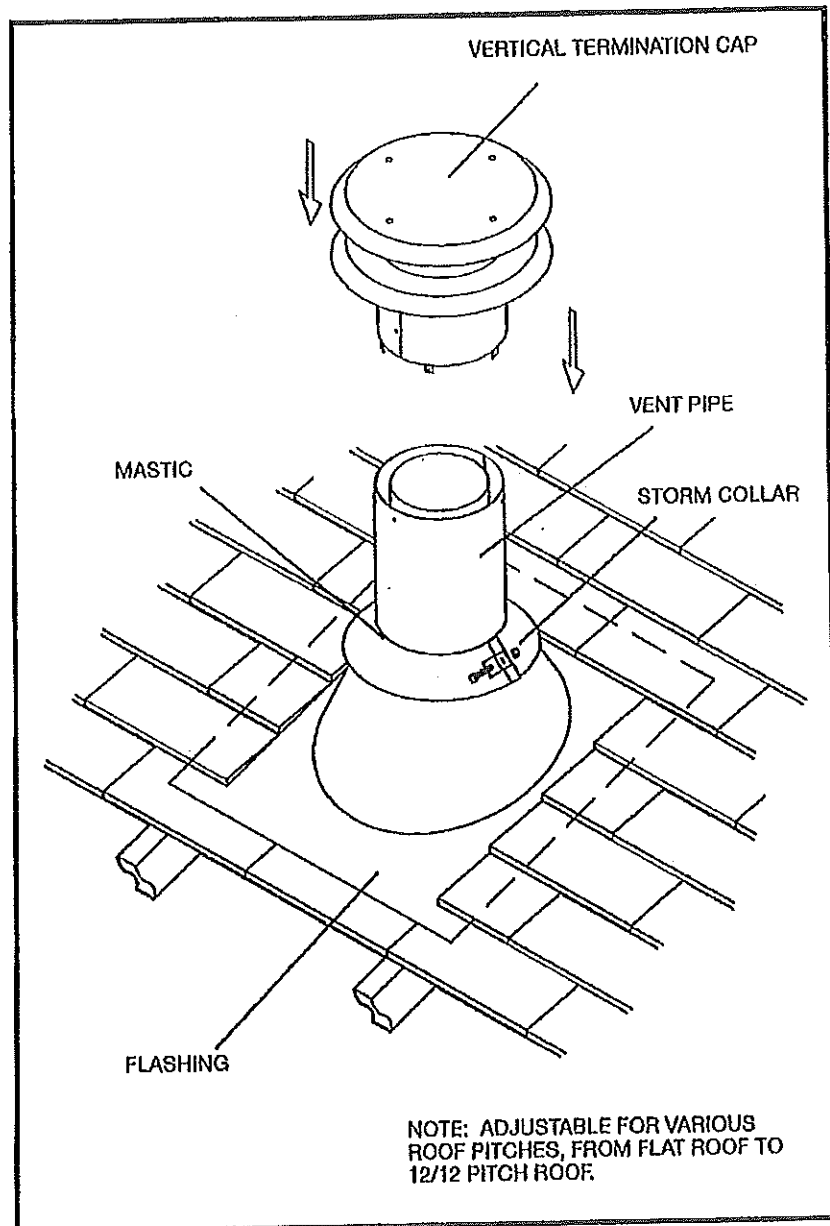


Figure 37: Roof vent terminal.

Vent Terminal Minimum Clearances

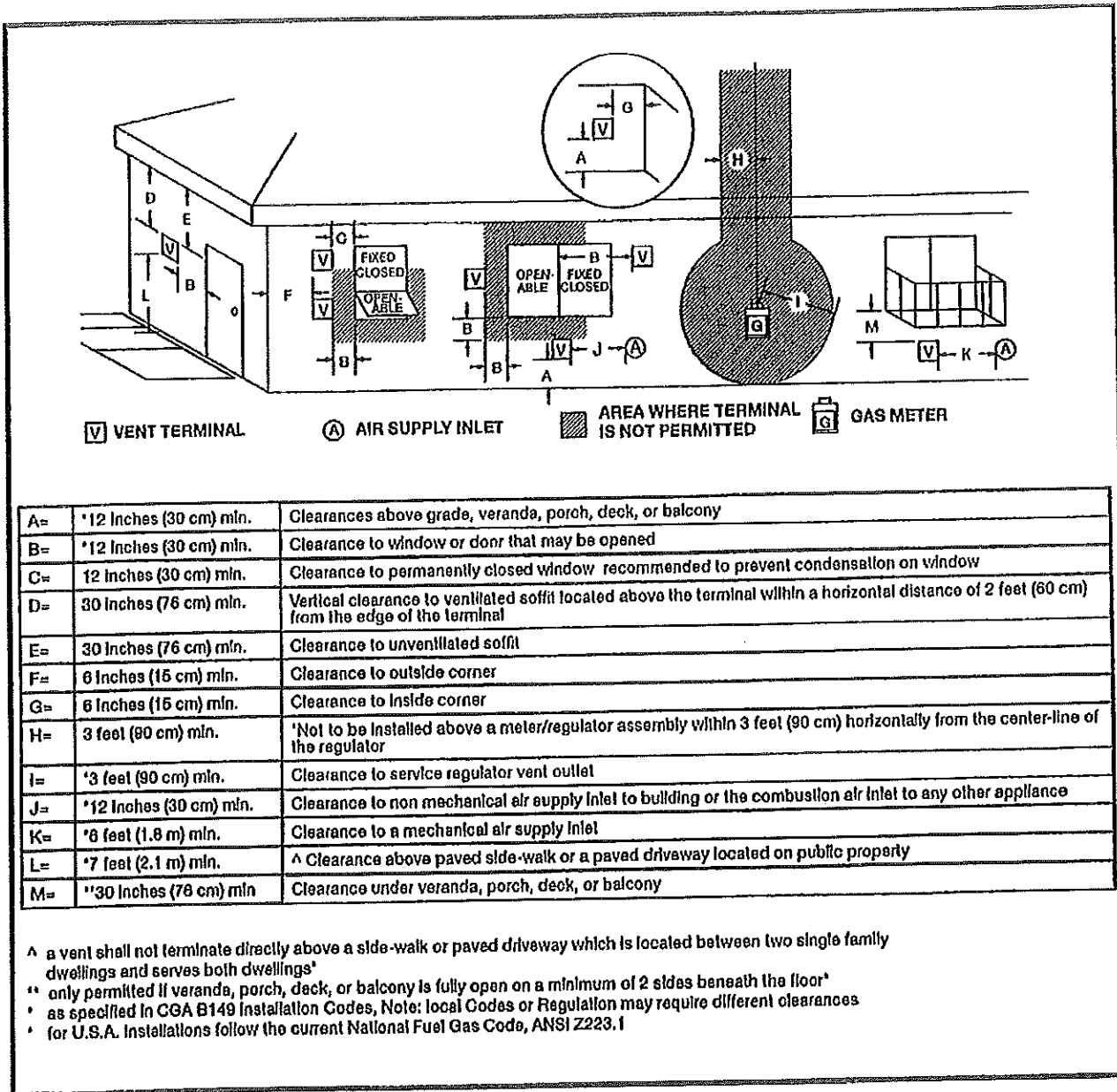


Figure 38: Vent terminal minimum clearances.



Vent Terminal Clearance

Minimum clearances to the vent terminal must be maintained as shown in Figure 38 and Figure 39. Measure clearances to the nearest edge of termination hood.

NOTE: Vent terminal must not be recessed

NOTE: LOCAL CODES OR REGULATIONS MAY REQUIRE DIFFERENT CLEARANCES.

Roof Pitch Table	(minimum)	
	ft	m
Flat to 6/12	1.00	0.30
Over 6/12 to 7/12	1.25	0.38
Over 7/12 to 8/12	1.50	0.46
Over 8/12 to 9/12	2.00	0.61
Over 9/12 to 10/12	2.50	0.76
Over 10/12 to 11/12	3.25	0.99
Over 11/12 to 12/12	4.00	1.22

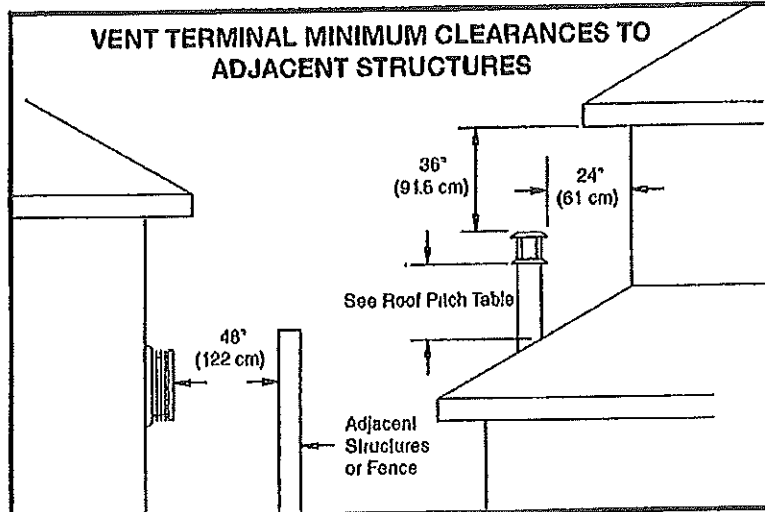


Figure 39: Vent roof clearance.

Vent Pipe Sealant

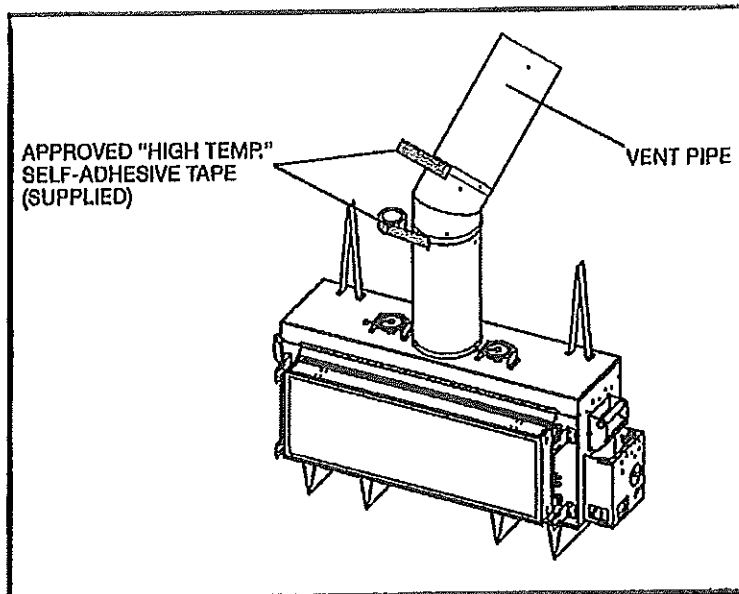


Figure 40: TCWS54D Sealing vent joints.

All outer joints of the vent pipe must be sealed with the approved "High Temperature" self-adhesive aluminum tape provided. Wrap the tape completely around the joint and press firmly in place. Inner pipe does not need to be sealed.

Vent Restrictor Adjustment

The vent restrictor is located on the underside of the firebox top. The unit leaves the factory with the vent restrictor open. The restrictor is built into the appliance for secondary air flow adjustment. Adjustment enables tuning the airflow for optimum flame appearance and performance for a wide variety of vent configurations.

Setting:

- Determine the vent height.
- Determine the vent horizontal length.
- From the chart determine the restrictor position.

Refer to the chart (Figure 41) for the correct position of restrictor for the vent configuration of your installation. Restrictor positions are based upon lab tests. The ideal position may vary slightly with installation.

Restrictor position is too closed if the flame has the following characteristics:

- Flame is excessively tall and lifting.
- Flame lacks movement.
- Flame soots.

Restrictor position is too open if the flame has the following characteristics:

- Flame height is low.
- Flame has excessive movement.

To adjust the restrictor:

- Loosen the screw holding the restrictor.
- Move the restrictor to its intended opening.
- Re-tighten the screw.

CAUTION: The vent restrictor must be fully open when using the power vent

WALL AND ROOF TERMINATION RESTRICTOR POSITION

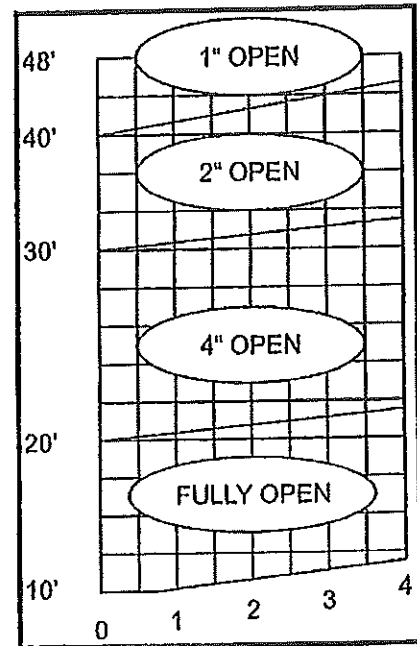


Figure 41: Restrictor rise and run chart.

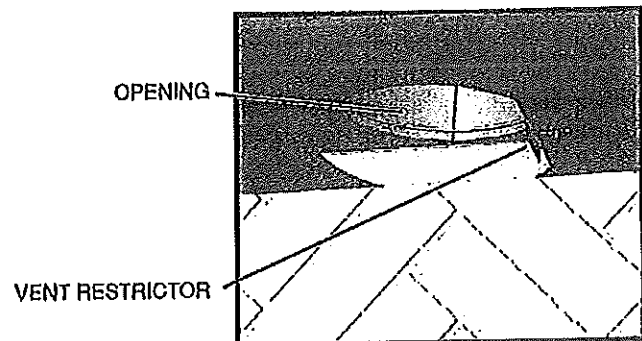


Figure 42: Vent restrictor.

Roof Termination Kit

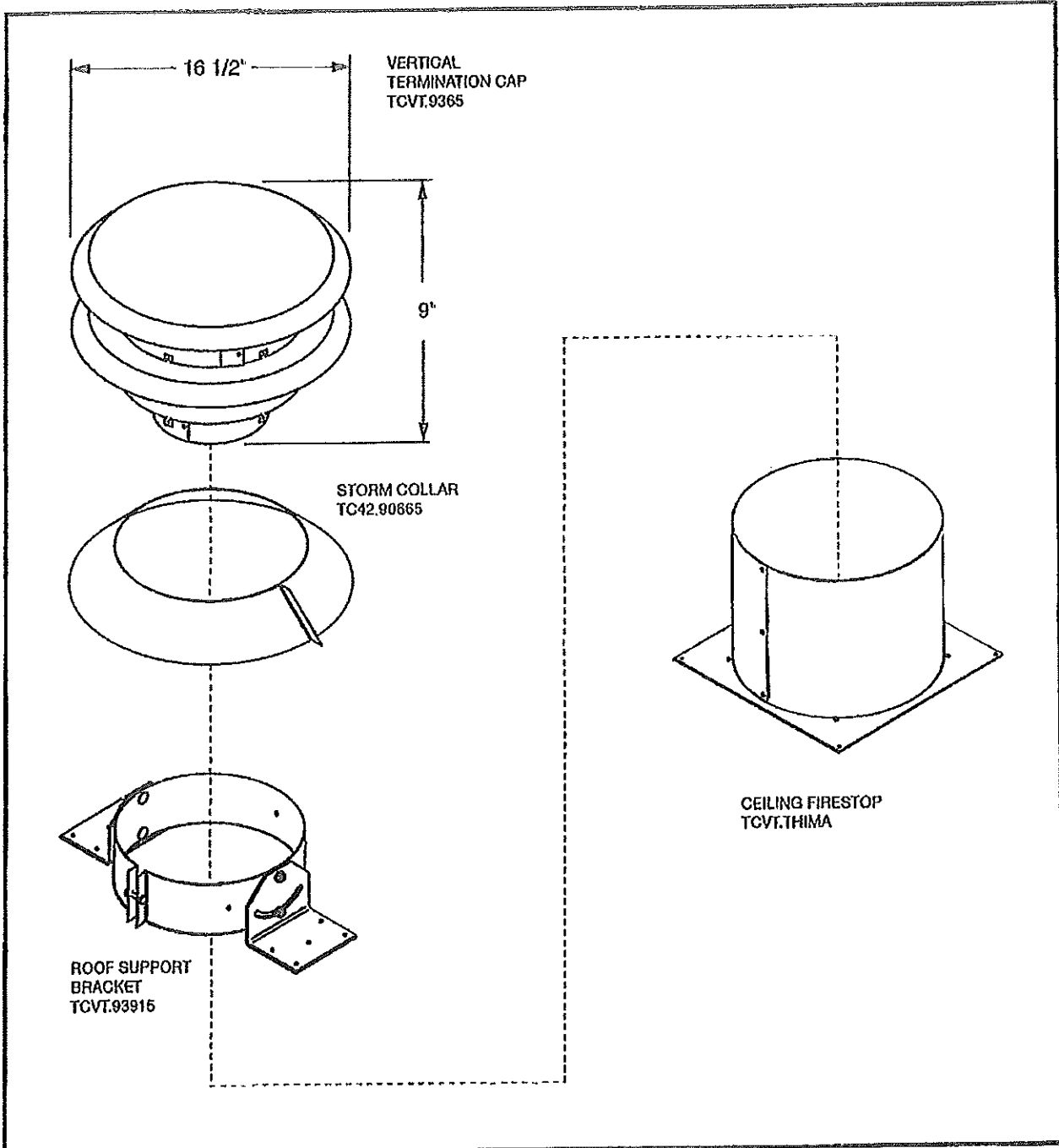


Figure 43: Roof terminator kit.

Vent Pipe Dimensions

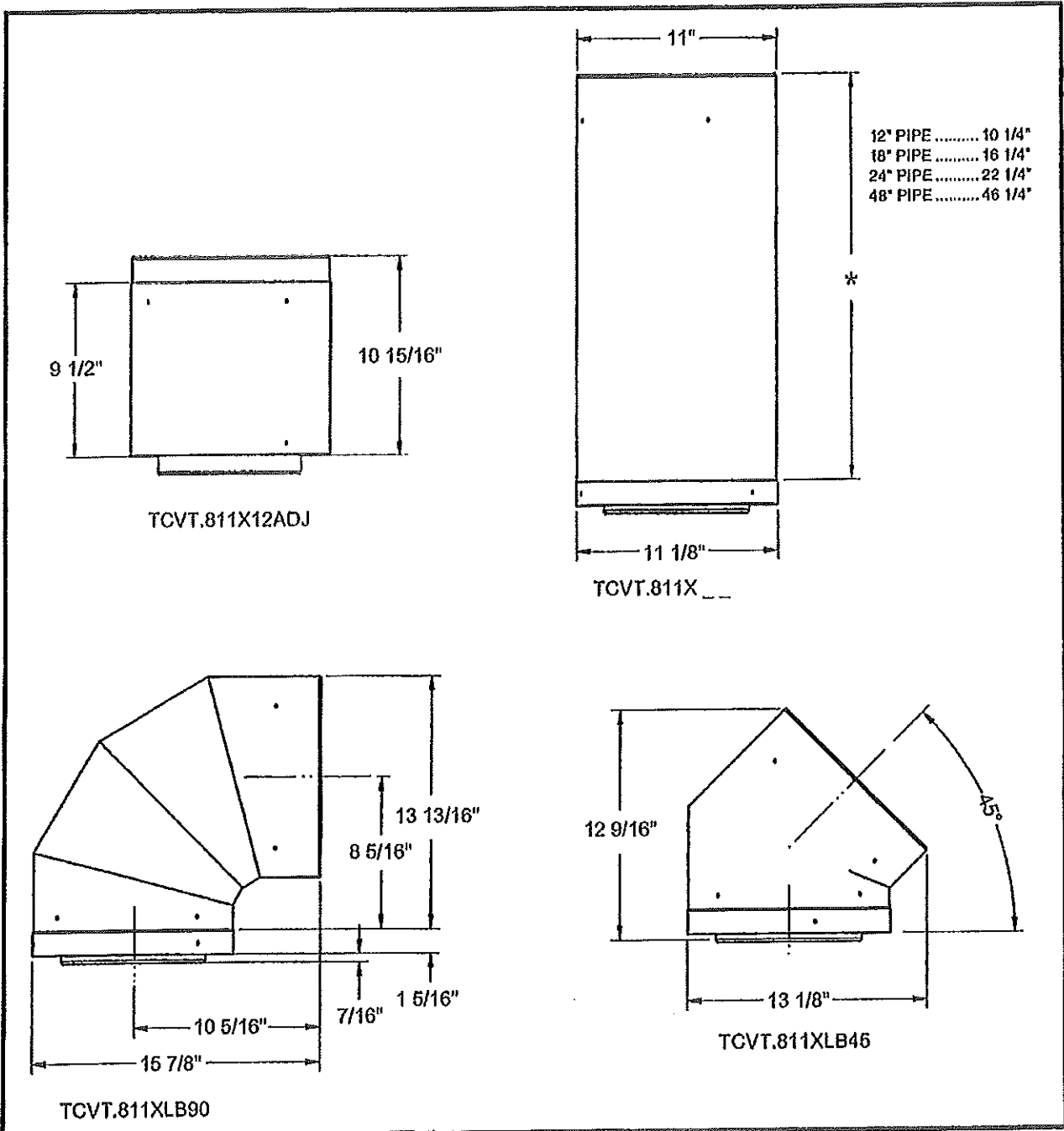


Figure 44: Vent pipe dimensions.

Vent Offset Chart

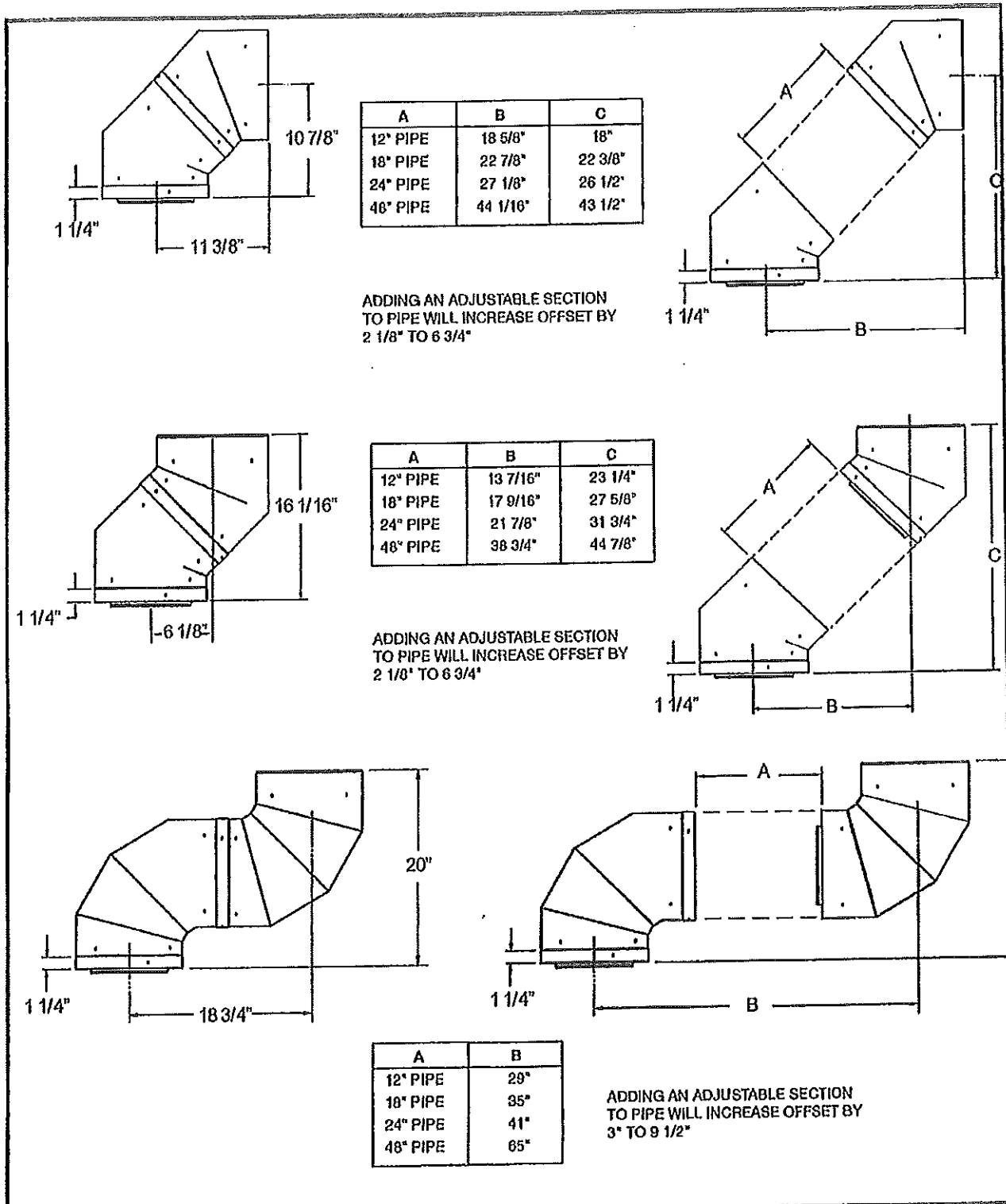


Figure 45: Vent offsets.

Firebox Panels Installation

Upper panel installation note for series "D" fireplaces: The panel set comes with an upper panel. When installing firebox panels into a "C" series fireplace, use this upper panel. When installing firebox panels into a "D" series fireplace, do not install the upper panel as this panel will obscure the LED light fixtures. Discard this panel instead.

Installing firebox panels into a "D" series fireplace.

1. Insert the back panel (Figure 46) into the firebox by tilting the panel and rest the panel on the seat tabs at the back of the firebox.

NOTE: Seat tabs can be lowered if the rear panel is tight.

NOTE: Centering tabs on the panel should be located at the outside of the seat tabs.

2. While supporting the back panel insert the left side panel (Figure 47) into the firebox. Position the top of the panel against the side of the unit, inserting the top panel tab into the slot at the top of the side panel and slide the bottom into position.

NOTE: Notch at bottom of side panel faces to front of unit.

3. Repeat step 4 for the other side panel.

NOTE: Install burner now.

4. Place the front bottom panel (Figure 48) on the front lip of the firebox, wide flange facing the front (Figure 49). (Proceed to step #6 if you are installing a TCWS.54NG03.C2 Black Diamond burner with this unit.)
5. Place the other bottom panel piece at the rear of the firebox with the wide flange facing to the rear against the back panel.

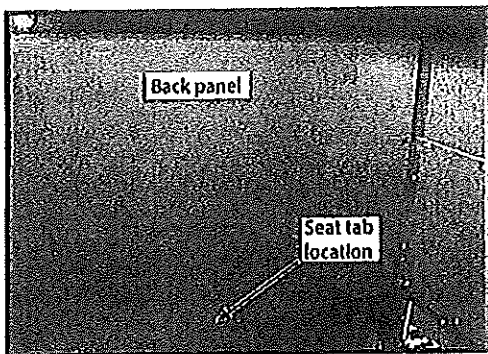


Figure 46: Right seat tab.

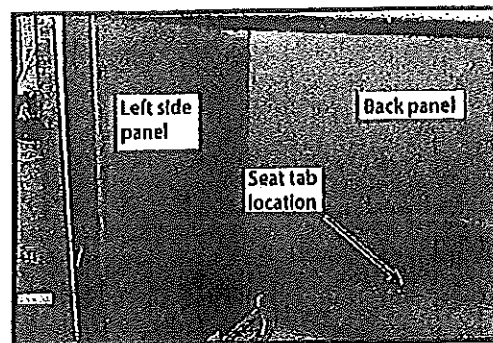


Figure 47: Left seat tab location.

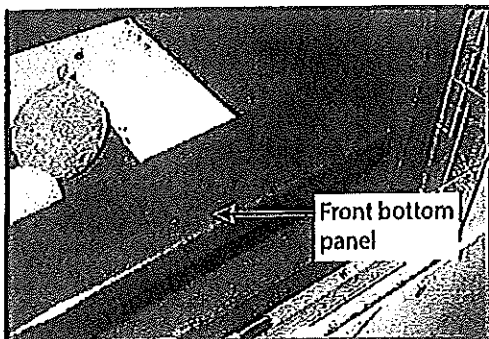


Figure 48: Front panel.

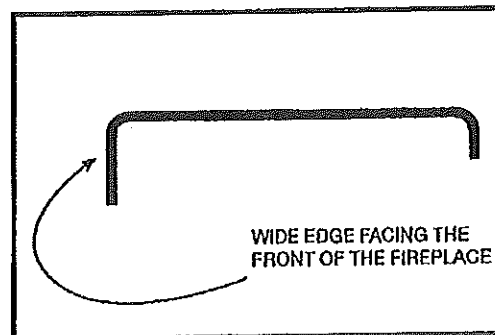


Figure 49: Front panel - side view



Finishing Touch Trim Kit Instructions

1. Place two smaller magnets on back of each side rail.
2. Place two larger magnets on back of the top and bottom rails.
3. Attach the side rails. Even the ends up with the door frame.
4. Attach the top and bottom rails and adjust so mitres are even at the corners.
5. Place TC magnetic logo in bottom right corner.

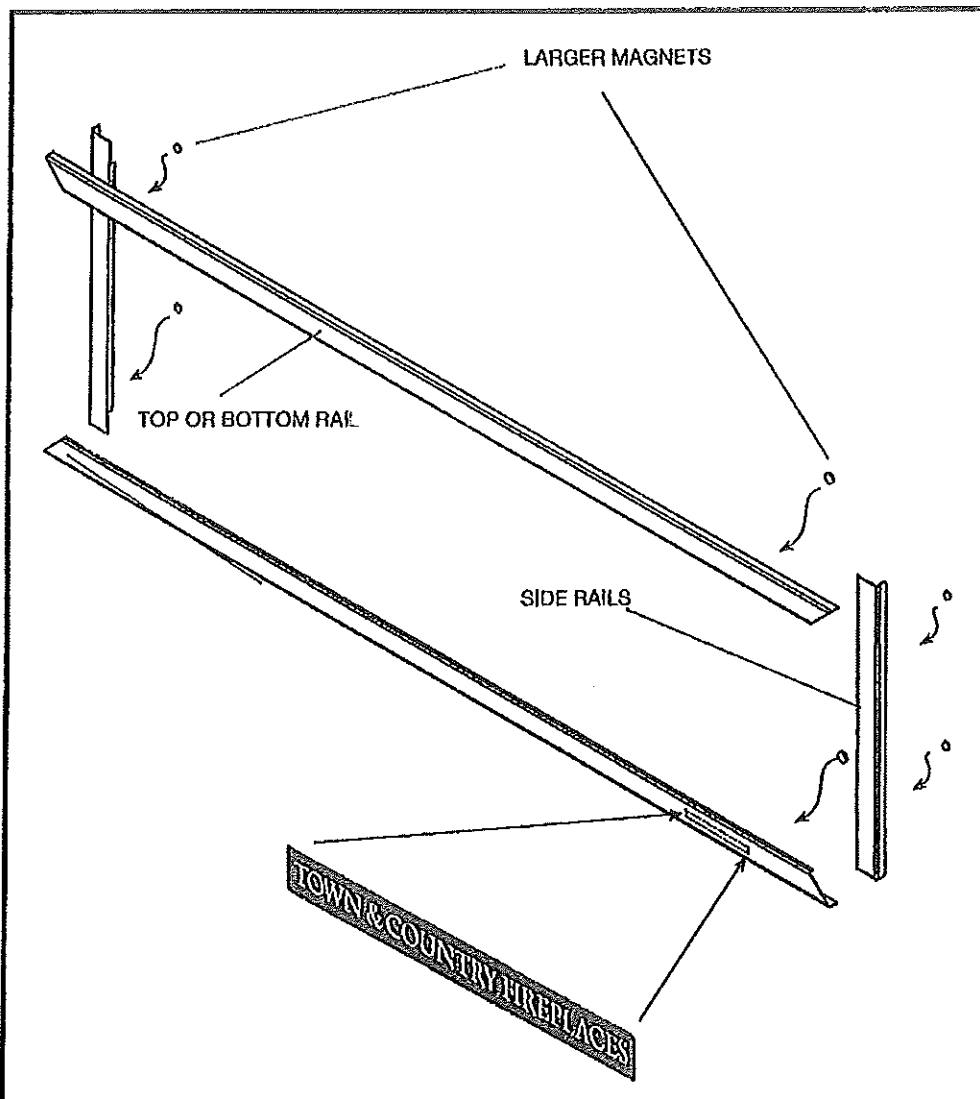


Figure 50: Finishing touch trim kit.

Lighting Instructions

FOR YOUR SAFETY READ BEFORE LIGHTING

WARNING: If you do not follow these instructions exactly, a fire or explosion may result causing property damage, personal injury or loss of life.

- A. This appliance is equipped with an ignition device which automatically lights the pilot. Do not try to light the pilot by hand.
- B. **BEFORE LIGHTING** smell all around the appliance area for gas. Be sure to smell next to the floor because some gas is heavier than air and will settle on the floor.
- WHAT TO DO IF YOU SMELL GAS:**
- Do not try to light any appliance.
 - Do not touch any electric switch; do not use any phone in your building.

- Immediately call your gas supplier from a neighbour's phone. Follow the gas supplier's instructions.
 - If you cannot reach your gas supplier, call the fire department.
- C. Use only your hand to push in or turn the gas control knob. Never use tools. If the knob will not push in or turn by hand, don't try to repair it, call a qualified service technician. Force or attempted repair may result in a fire or explosion.
- D. Do not use this appliance if any part has been under water. Immediately call a qualified service technician to inspect the appliance & to replace any part of the control system & any gas control which has been under water.

LIGHTING INSTRUCTIONS

1. **STOP!** Read the safety information above on this label.
2. This appliance is equipped with an ignition device which automatically lights the pilot. Do not try to light the pilot by hand.
3. Push the "On/Off" switch to turn the fireplace ON.
 - If the burner does not light go to step 6.
 - If the burner does not light, complete steps 4 through 5.
 - If the burner will not light or stay lit after several tries, push the "On/Off" switch for the fireplace to OFF, turn off all electric power

- to the fireplace and call your service technician or gas supplier.
- Note: Sufficient time must be allowed for air to escape from lines if the unit is being lit for the first time.
4. Push the "On/Off" switch to the fireplace Off.
 5. Allow sufficient length of time (minimum 5 minutes) for any gas in the combustion chamber to escape. If you still smell gas, STOP! Follow "B" in the safety information above on this label. If you don't smell gas, go to step 3.
 6. Set fireplace to desired setting by using hand held remote.

TO TURN OFF GAS APPLIANCE

1. Push the "on/off" switch to the "Off" position.

2. Turn off all electric power to the appliance and remove backup batteries if service is to be performed or for extended shutdown.

Due to high surface temperatures, keep children, clothing and furniture away. Keep burner and control compartment clean. See installation and operating instructions accompanying the appliance.
A cause de la température élevée des parties, tenir éloignés les enfants, les vêtements et les meubles. Maintenir propres le brûleur et le compartiment de commande. Voir les instructions relatives à l'installation et au fonctionnement qui accompagnent l'appareil.

CAUTION: Hot while in operation. Do not touch. Severe burns may result. Keep children, clothing, furniture, gasoline and other liquids having flammable vapours away. Keep burner and control compartment clean. See installation and operating instructions accompanying the appliance.

ATTENTION: L'appareil est chaud lorsqu'il fonctionne. Ne pas toucher l'appareil. Risque de brûlures graves. Surveiller les enfants. Garder les vêtements, les meubles, l'essence ou autres liquides produisant des vapeurs inflammables loin de l'appareil. S'assurer que le brûleur et le compartiment des commandes sont propres. Voir les instructions d'installation et d'utilisation qui accompagnent l'appareil.

First Fire

When lit for the first time, the fireplace will emit a slight odor for a couple of hours. This is due to the curing of paints, sealants and lubricants used in the manufacturing process. This condition is temporary. Open doors and windows to ventilate area. Odors caused by the curing process may cause discomfort to some individuals.

It is normal for fireplaces fabricated of steel to give off some expansion and/or contraction noises during the start up or cool down cycle. Similar noises are found with your furnace heat exchanger or cook stove oven.

Special Operator Note

NOTE: Fireplace may take up to 30 seconds to ignite each time the "ON" button has been selected.

Remote Control Operation

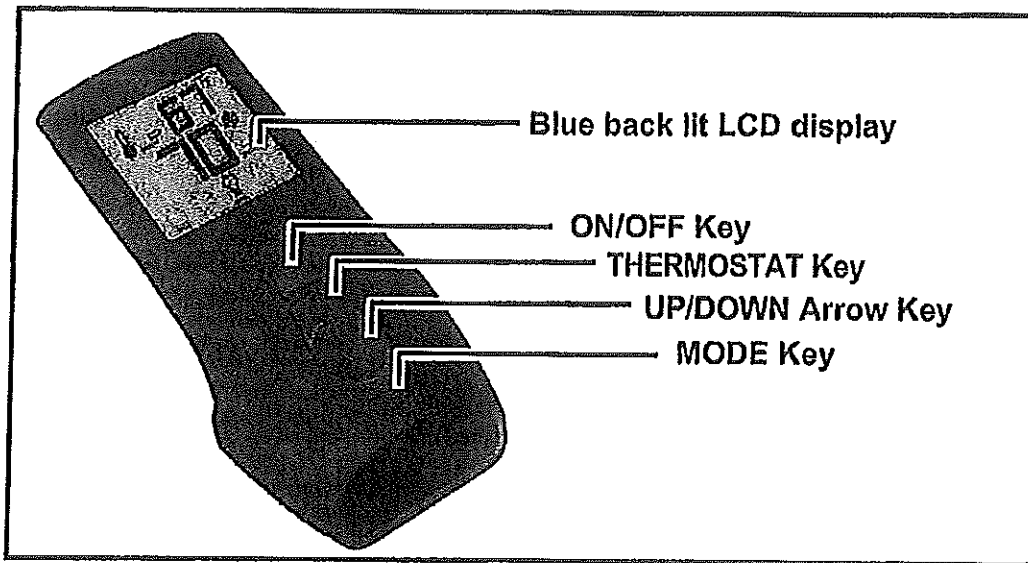


Figure 51: Proflame 2 handset.

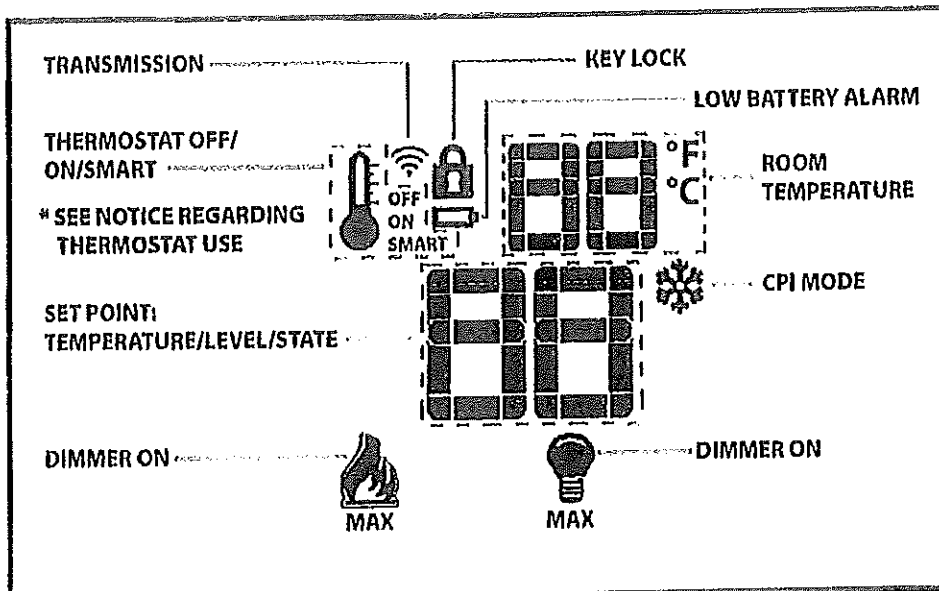


Figure 52: Proflame 2 LCD screen details.

NOTICE: The thermostat function is disabled by default. Thermostat function is not permissible in the USA but is permissible in Canada. Instructions for enabling the thermostat function in Canada - See "Instructions for enabling the Thermostat function for Canadian users." on page 36

Attention!

- Turn off the main gas supply for the appliance during installation or maintenance of the receiver/module device.
- Turn off main gas supply for the appliance prior to removing or reinserting the batteries.
- In case of remote control malfunction, turn off the fireplace using the "on/off" main switch located on the wall.
- For installation/maintenance, turn off the fireplace at the on/off switch located on the wall and at the fireplace power supply circuit breaker.

Fireplace Description

The Proflame 2 Remote Control Fireplace consists of three elements:

1. Proflame 2 Remote Control Transmitter.
2. Proflame Integrated Fireplace Control (IFC) board and a wiring harness to connect the IFC to the gas valve and stepper motor - See Figure 26 on page 15.
3. Wall mounted Remote Control Receiver Figure 53, Figure 54 and Figure 55.

Transmitter (Remote Control with LCD Display)

The Proflame 2 Transmitter uses a streamline design with a simple key layout and an informative LCD display (Figure 52). The remote control transmitter is powered by 3 AAA batteries. A mode key is provided to index between the features and a thermostat key is used to turn on/off or index through thermostat functions (Figure 51).

IFC Module

The Proflame 2 Integrated Fireplace Control (IFC) module is a device that allows automatic ignition and pilot flame supervision and commands the functions of the fireplace. It's configured to control the ON/OFF main burner operation, giving the choice of both IPI (intermittent pilot ignition), and CPI (continuous pilot ignition) modes. The Proflame2 IFC module controls and connects directly to the pilot assembly and the automatic valve using low electric power.

The IFC module can be powered by both an AC power supply, and battery pack for back up. The Proflame 2 offers the added ability to control the comfort fan speed from OFF through six (6) speeds, and a remotely actuated auxiliary outlet and a dimmable light outlet. The external batteries can provide DC power to the IFC allowing the batteries to be used only when line power is interrupted or lost, and if the fireplace does not use a combustion fan.

Operating Procedure

Initializing the Fireplace for the first time

1. With the fireplace main circuit breaker in the OFF position, install 4 AA batteries into the Town & Country wall switch battery holder (Figure 54) located behind the wall switch face plate (Figure 55). Make sure that the selection switch is on the "Remote" setting.
2. Install 3 AAA batteries into the Proflame2 Remote Control Transmitter (Figure 56).
3. Turn ON the fireplace main circuit breaker and open the gas supply line (if valve is present and accessible).
4. Insert a straightened paper clip into the opening marked "Program" of the Town & Country wall switch (Figure 55) and press the program key once. The IFC module, also located on the inside of the fireplace enclosure, will beep 3 times indicating that it is ready to synchronize with a remote control transmitter.
5. On the remote control transmitter, push the power on key once. The remote control transmitter will beep 4 times to indicate that the remote control transmitter and the IFC module are now synchronized. The remote control transmitter is now ready to use.

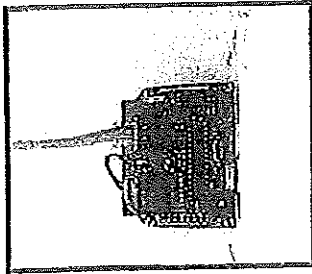


Figure 53: Wall switch - interface side.

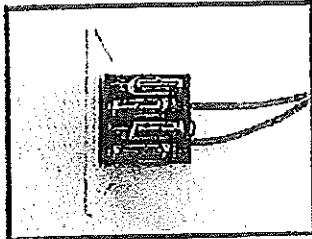


Figure 54: Wall switch - battery side.

Program button

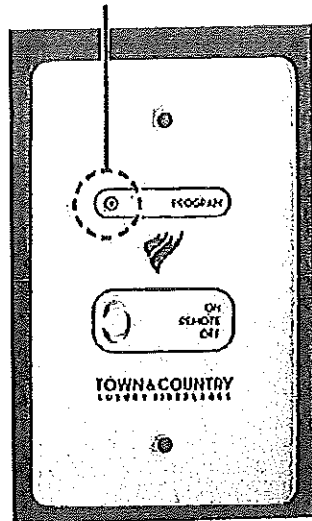


Figure 55: Wall switch.



Figure 56: Proflame 2 remote battery compartment.

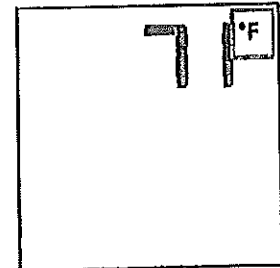


Figure 57: Temperature in fahrenheit.

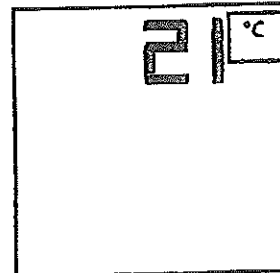


Figure 58: Temperature in celcius.

Using the Remote Control Transmitter

Temperature Indication Display

With the remote control transmitter in the "OFF" position, press the thermostat and mode keys at the same time. Look at the LCD screen on the remote control transmitter to verify that a C or F is visible to the right of the room temperature display - Figure 57 and Figure 58.

Turn on the Fireplace

With the fireplace OFF, press the ON/OFF key on the remote control transmitter. The remote control transmitter display will show the active icons on the screen. At the same time the wall switch will activate the fireplace via the IFC module. A single "beep" from the IFC module will confirm reception of the command.

Turn off the Fireplace

With the fireplace ON, press the ON/OFF key on the remote control transmitter. The remote control transmitter LCD display will only show the room temperature (Figure 57 and Figure 58). At the same time the IFC module will turn off the fireplace. A single "beep" from the IFC module confirms reception of the command.

Manual Bypass of the Remote Fireplace

If the batteries of the remote control transmitter are low or depleted, the fireplace can be turned off manually using ON/OFF switch located on Town & Country wall switch. This will bypass the remote control transmitter.



Remote Flame Control

The Proflame2 has six (6) flame levels. With the fireplace turned on, and the flame level at maximum height, press the down arrow key once to reduce the flame height by one step (Figure 59) until the flame is turned off.

The up arrow key will increase the flame height each time it is pressed. If the up arrow key is pressed while the fireplace is on but the flame is off, the flame will come on in the high position. A single "beep" will confirm reception of the command.

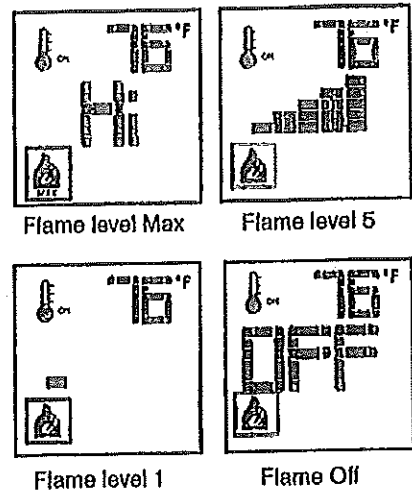


Figure 59: Flame level control.

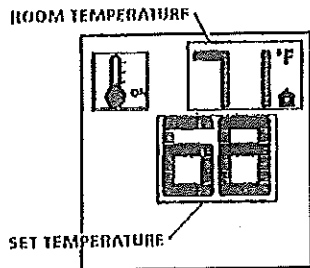


Figure 60: Room temperature control.

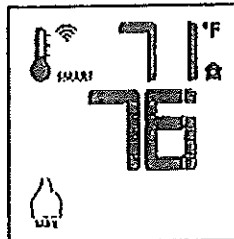


Figure 61: Smart flame control.

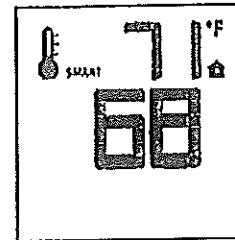


Figure 62: Smart flame function set low.

Room Thermostat (Transmitter Operation)

The remote control transmitter can operate as a room thermostat. The thermostat can be set to a desired temperature to control the comfort level in a room. To activate this function, press the thermostat key (Figure 51). The LCD display on the remote control transmitter will change to show that the room thermostat is "ON" and the set temperature is now displayed (Figure 60). To adjust the set point, press the up or down arrow keys until the desired set point temperature is displayed on the LCD screen of the remote control transmitter.

Smart Thermostat (Transmitter Operation)

The Smart Thermostat function adjusts the flame height in accordance to the difference between the set point and the room temperatures. As the room temperature gets closer to the set point, the Smart Function will modulate the flame down. If the room temperature is cool, the Smart Function will modulate the flame up. To activate this function, press the THERMOSTAT button (Figure 51) until the word "SMART" appears to the right of the temperature icon (Figure 61). To adjust the set point, press the up or down arrow buttons until the desired set point temperature is displayed on the LCD screen of the remote control transmitter.

Instructions for enabling the Thermostat function for Canadian users.

The thermostat key (Figure 51) on the remote handset needs to be held down. Keep it pressed down and remove one of the three batteries from the remote handset. Simply re-install the battery that was removed and the feature is activated. Use the same procedure to disable the thermostat function.

Remote dimmer control (Light)

The auxiliary function controls the AUX power outlet by the dimmable light control. To activate this function use the Mode Key (Figure 51) to index to the light bulb icon (Figure 63). The intensity of the output can be adjusted through six (6) levels. Use the Up/Down Arrow Keys to adjust the output level. A single "beep" will confirm reception of the command.

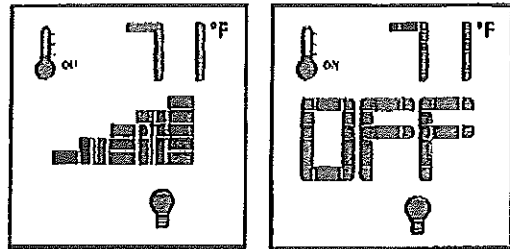


Figure 63: Dimmer light control.

Continuous Pilot/Intermittent Pilot (CPI/IPI) selection

With the system in the "OFF" position, press the Mode Key (Figure 51) to index to the CPI mode icon (Figure 64). Pressing the Up Arrow Key will activate the Continuous Pilot Ignition mode (CPI). Pressing the Down Arrow Key will return to IPI. A single "beep" will confirm the reception of the command.

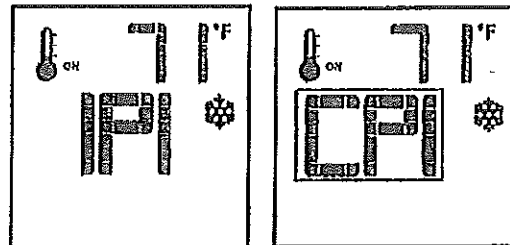


Figure 64: IPI - CPI control.

Key Lock

This function will lock the keys to avoid unsupervised operation. To activate this function, press the MODE and UP keys at the same time (Figure 51). The lock icon will appear (Figure 65). To de-activate this function, press the MODE and UP key at the same time.

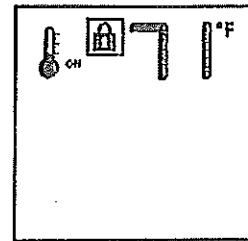


Figure 65: Lock icon.

Low Battery Power Detection

Transmitter

The life span of the remote control batteries depends on various factors: quality of the batteries used, the number of Ignitions of the Heater, the number of changes to the room thermostat set point, etc.

When the remote batteries are low, a battery icon (Figure 66) will appear on the LCD display of the remote before all battery power is lost. When the batteries are replaced this icon will disappear.

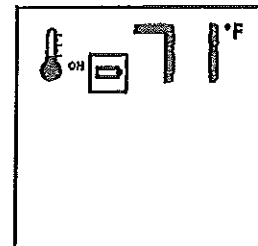


Figure 66: Low battery icon.

Receiver

The life span of the IFC module batteries depends on various factors: quality of the batteries used, the number of Ignitions of the Heater, the number of changes to the room thermostat set point, etc.

When the IFC batteries are low, a "double-beep" will be emitted from the IFC module when it receives a command from the remote. This is an alert for a low battery condition for the IFC board. When the batteries are replaced, a single "beep" will be emitted from the IFC module when a key is pressed - See "Initializing the Fireplace for the first time" on page 34.

Maintenance

CAUTION:

Turn off gas and electrical power supply (if applicable) and allow ample time for unit to cool before servicing appliance. It is recommended that the fireplace and its venting should be inspected at least once a year by a qualified service person.

Glass Panel:

Warning: Do not operate fireplace with glass panel removed, cracked or broken. Replacement of the glass panel should be done by a licensed or qualified service person.

Do not strike or otherwise impact the glass in anyway that may cause it to break. If the glass becomes cracked or broken it must be replaced before using the fireplace. Replacement glass can be obtained from your nearest Town & Country Fireplaces™ dealer. The size required is 52" x 16" x 5mm. Use ceramic glass only. Do not substitute with any other type.

To remove broken glass, remove window frame as noted in "Window Frame Removal" section.

Unclip the Glass Retainer Clips located at the top and sides of the Window Frame. Pull the top edge of the glass out of the frame first, then lift it up and out of the bottom edge.

Install the new piece of glass with the gasket into the frame so that the thicker bead of gasket faces the fireplace.

Re-install glass retaining clips.

Annual Inspection:

- a) Remove glass panel and pebble assemblies. Inspect pebble and burner assemblies for soot buildup. If excessive buildup of soot is present, have a qualified service person inspect and adjust unit for proper combustion. Clean logs and burner with a brush or vacuum cleaner, paying close attention to burner ports.
- b) Check the pilot system for proper flame size and operation. Clean pilot free of soot, dust or any other deposits. (See Fig. #67)
- c) Check that the vent pipe and vent terminal are open and free from blockage or debris. If the venting is disassembled for cleaning, it must be properly assembled and re-sealed. Refer to VENTING section for proper procedure.
- d) Check glass panel gasket, replace if necessary. It is important that the glass seal be maintained in good condition.
- e) Check and replace batteries as needed.

Note: The appliance area must be kept clear and free from combustible materials, gasoline and other flammable vapours and liquids.

Periodically:

- a) Viewing glass may be cleaned as necessary with fireplace glass cleaner.
- b) Exterior finish may be cleaned with mild soap and water.

CAUTION:

Do not use abrasive cleaners on glass or any other part of the fireplace.

Do not clean glass when hot.

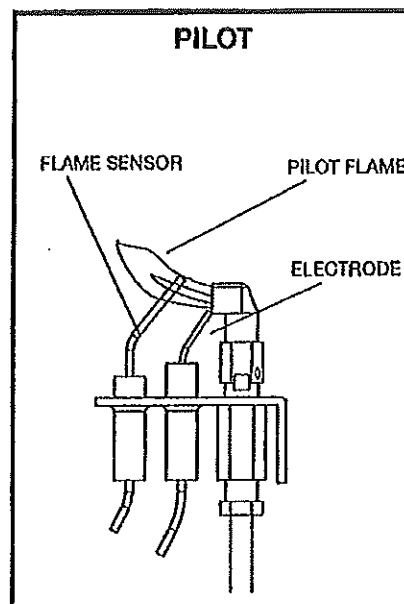
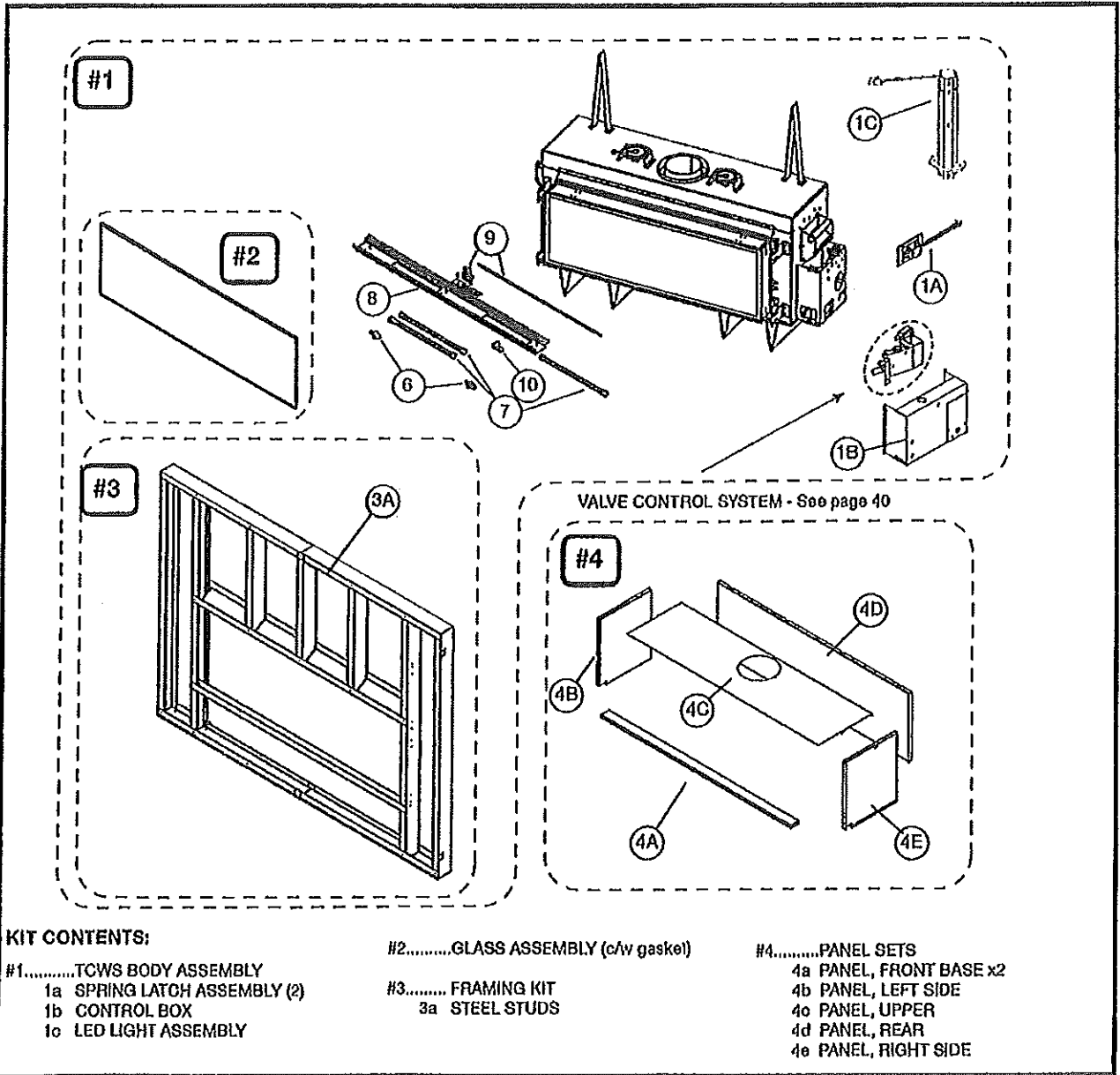


Figure 67: Pilot assembly.

TCWS.54D Replacement Parts

(WHEN ORDERING, INCLUDE PART NUMBER WITH DESCRIPTION)

ITEM	DESCRIPTION	PART NO.	ITEM	DESCRIPTION	PART NO.
#1	TCWS BODY ASSEMBLY	TCWS.54D	*#5	FINISHING TOUCH TRIM KIT	TCRP.8265-A
#2	GLASS ASSEMBLY (c/w gasket)	GLAS.2062ASSY	#6	ORIFICE (2pcs).....	5022.78-A
#3	FRAMING KIT	TCWS.8267-B	#7	MAIN GAS SUPPLY TUBES (3pcs).....	5019.223
#4	PANEL SETS		#8	BURNER SUPPORT	9498-B
	BLACK PORCELAIN	TCPN.775.C	#9	PILOT ASSEMBLY.....	TCRP6005026F
	BROWN PORCELAIN.....	TCPN.776CB.C	#10	1/2" TEE	5019.013
	COPPER.....	TCPN.WS54CU.C			
	TITANIUM.....	TCPN.WS54TI.C		*NOT SHOWN	



Replacement Parts – Valve Control System

(WHEN ORDERING, INCLUDE PART NUMBER WITH DESCRIPTION)

ITEM	DESCRIPTION	PART NO.	ITEM	DESCRIPTION	PART NO.
#1	CONTROL ASSEMBLY KIT	TCCV.95755-B	#4	TEST FITTING	5019.104
#2	BULKHEAD ASSEMBLY KIT	TCRP.8133	#5	WALL SWITCH ASSEMBLY KIT	TCRP.WSA
#3	COMMUNICATION CABLE KIT	5062.98-A	#6	REMOTE TRANSMITTER	TCRP.500307

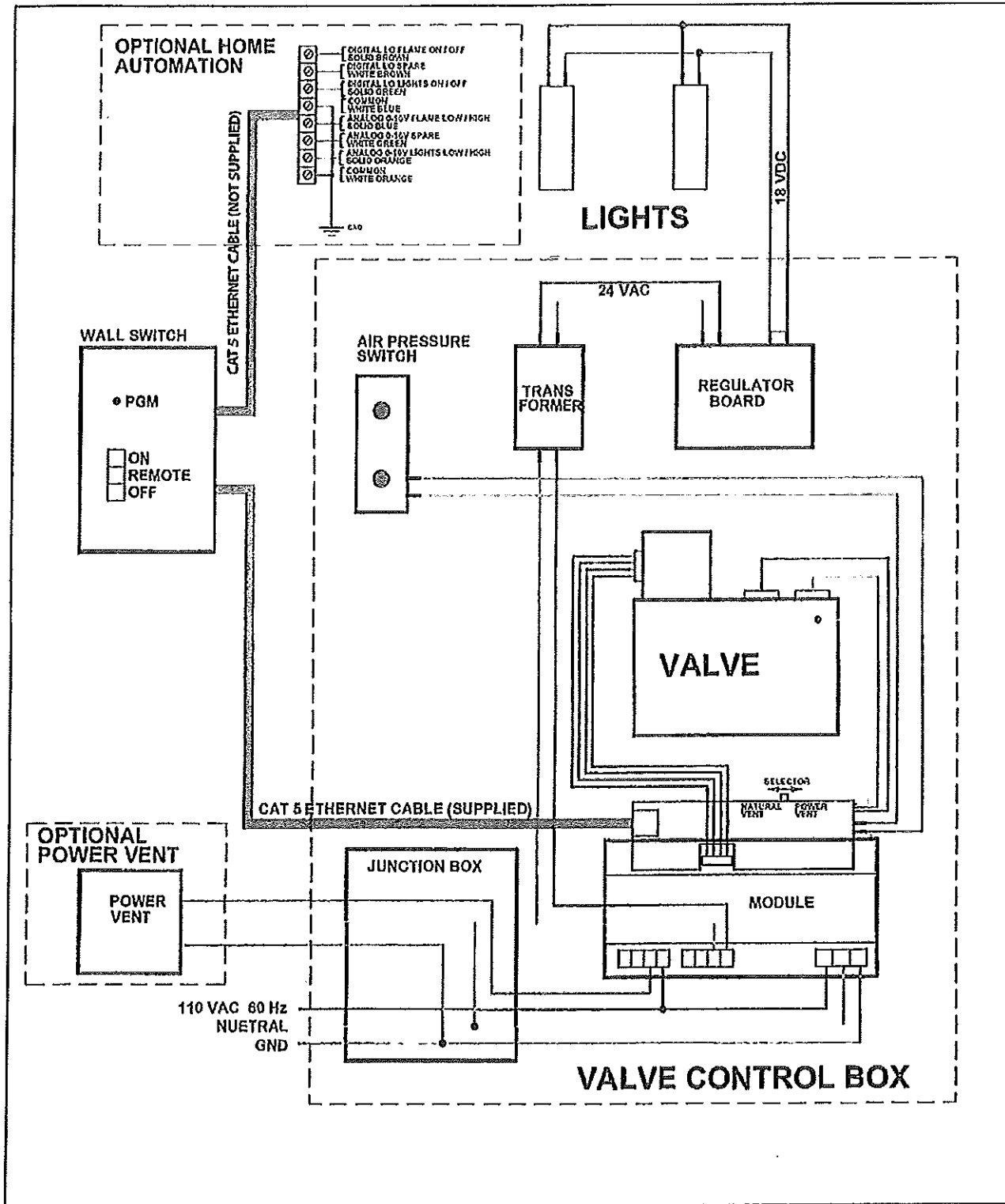
KIT CONTENTS:

<p>#1 CONTROL ASSEMBLY KIT</p> <ul style="list-style-type: none"> 1a VALVE c/w FITTINGS 1b 1/4" FLEX TUBE 1c 1/2" FLEX TUBE 1d CONTROL MOUNTING BRACKET 1e IGNITION MODULE 1f WIRING HARNESS 1g TRANSFORMER 1h PRESSURE TEST ASSEMBLY 1i REGULATOR BOARD 1j PRESSURE SWITCH 	<p>#2 BULKHEAD ASSEMBLY KIT</p> <ul style="list-style-type: none"> 2a INLET PLATE 2b INLET PLATE GASKET 2c ELEC BULKHEAD GASKET 2d 1/2" BULKHEAD FITTING 2e 1/4" BULKHEAD FITTING 2f ELEC BULKHEAD FITTING 	<p>#5 WALL SWITCH ASSEMBLY KIT (not shown)</p> <p>#6 REMOTE TRANSMITTER (not shown)</p>
--	---	---

#3 CABLE COMMUNICATION KIT

#4 TEST FITTING

Wiring Diagram



Quick Panel Removal for Valve Service

1. Remove front panel base. Also remove rear panel base if Black Diamond Burner is fitted (Figure 68).
2. Push up on the heat shield, at the right end of the unit near the middle, enough to clear the securing tab (Figure 69).

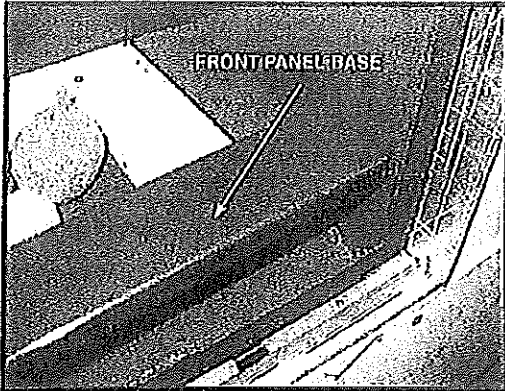


Figure 68: Front panel base.

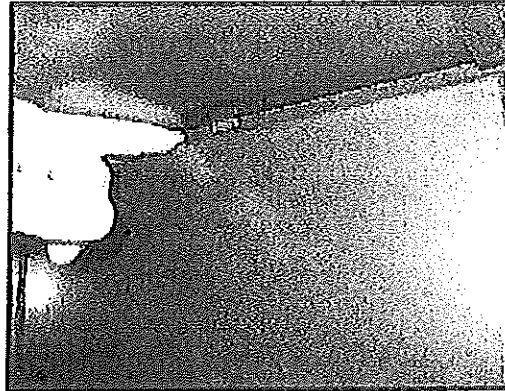


Figure 69: Securing tab.

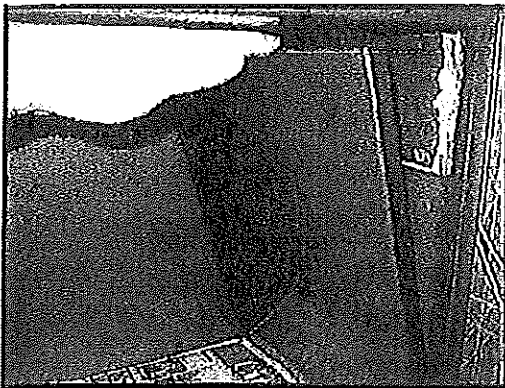


Figure 70: Removing the side panel.

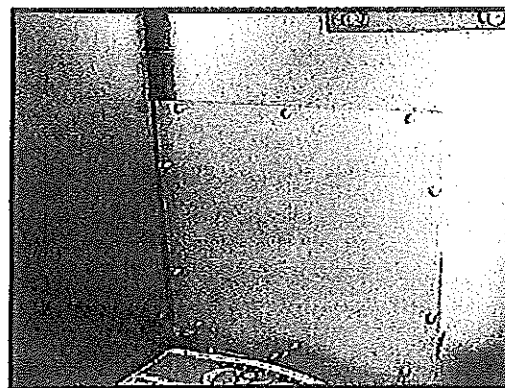


Figure 71: Access panel.

3. Pull the top of the right panel toward the center of the unit using caution not to scratch the back panel (Figure 70).
4. Once the right panel is tilted inwards it can be lifted clear of the burner tray and removed.


NOTE: The right hand side rock cluster may need to be removed to prevent damage while working through the access hole. Covering the sand with paper or cardboard will also minimize disturbance during the servicing process.

5. The access panel is now visible (Figure 71).
6. Reassemble in reverse order.

WARNING: The control box shield, access panel and gasket must be replaced. Failure to do so will overheat and cause premature failure of the control.

Rating Label

NOTE: The Rating Label is located on a plate found in a slot between the left hand side lintel and the left hand side window frame. This plate is attached to the lintel with a cable.



VENTED GAS FIREPLACE - NOT FOR USE WITH SOLID FUEL
FOYER AU GAZ À ÉVACUATION - NE PAS UTILISER AVEC DU
COMBUSTIBLE SOLIDE

709

ANSI Z21.60-2014 / CSA 2.22-2014 Vented Gas Fireplaces
 CAN/CGA 2.17-M91 Gas-Fired Appliance For Use At High Altitudes.
 Certified for / Certifié pour Canada and U.S.A.

TOWN & COUNTRY
FIREPLACES™

MODEL/
MODELE: TCWS54

SERIES/
SERIE: D

MADE IN CANADA
FABRIQUE AU CANADA

FOR USE WITH/ EN CASÉ D'EMPLOI AVEC:	NATURAL GAS/ DU GAZ NATUREL	LP GAS/ DU GAZ LP
Minimum supply pressure / Pression minimum d'alimentation: <small>(For the purpose of input adjustment / dans le but de régler l'alimentation)</small>	5.0 in/wc / 5.0 po/e.o. (1.25 kPa)	12.5 in/wc / 12.5 po/e.o. (3.11 kPa)
Maximum supply pressure / Pression maximum d'alimentation:	13.9 in/wc / 13.9 po/e.o. (3.45 kPa)	13.9 in/wc / 13.9 po/e.o. (3.45 kPa)
Manifold pressure / Pression de la tuyauterie: Maximum	3.5 in/wc / 3.5 po/e.o. (0.95 kPa)	10.0 in/wc / 10.0 po/e.o. (2.74 kPa)
Orifice Size / Diametre de l'injecteur:	(2.92 mm) 2X	(1.70 mm) 2X
Input BTU/hr (kW) / Entree BTU/h (kW):	Max.: 54,900 (16.0) Min.: 38,500 (11.3)	Max.: 54,900 (16.0) Min.: 46,000 (13.2)

This Appliance is Equipped For Use With /
 Cet Appareil est Equipé Pour Utiliser Avec :

NATURAL GAS LP-GAS
 GAZ NATUREL LP GAZ

Optional components/ Éléments facultatifs: Powervent Kit kit de ventilation mécanique TCVT.PV1.25, TCVT.PV7.110, TCVT.PVCV
 Blower electrical rating: 115v, 60hz, 1.1 A / Normes électriques du ventilateur: 115v, 60hz, 1.1 A
 This appliance equipped for altitudes 0 - 4500 ft. (0 - 1372 m) / Cet unité est conçu pour des altitudes variant entre 0 - 4500 pieds (0 - 1372 m). In Canada, also certified for installation in a bedroom or a bed sitting room / Aussi certifié pour installation dans une chambre à coucher ou une salle de séjour. This appliance must be installed in accordance with local codes, if any; if none, follow the current CAN/CGA-B149 (Canada), or ANSI Z223.1 (USA) Installation Codes. Installer l'appareil selon les codes ou règlements locaux, ou, en l'absence de tels règlements, selon les codes d'installation CAN/CGA-B149 (Canada), or ANSI Z223.1 (USA) en vigueur.

MANUFACTURED (MOBILE) HOME: This appliance is only for use with the type of gas indicated on the rating plate and may be installed in an aftermarket, permanently located, manufactured (mobile) home where not prohibited by local codes. See owners manual for details.
FABRIQUEZ (MOBILE) MAISON: Cet appareil doit être utilisé uniquement avec le type de gaz indiqué sur la plaque signalétique et peut être installé dans une maison préfabriquée (mobile) installée à demeure si les règlements locaux le permettent. Voir la notice du propriétaire pour plus de détails. Cet appareil ne peut être converti à d'autres gaz sauf si une troussé de conversion certifiée est utilisée.
 Install in accordance with the current standard Mobile Homes, CAN/CSA 2240 MH (in CANADA), and the Manufacturer's Home Construction and Safety Standard, Title 24 CFR, Part 3280, or the current Standard for Fire Safety Criteria for Manufactured Home Installations, Sites, and Communities ANSI/NFPA 601A, (in the U.S.A.). Cet appareil doit être installé conformément aux exigences de la norme CAN/CSA 2240 MH en vigueur de l'ACNOR, Installations de gaz dans les Constructions Mobiles.

FOR USE WITH THE GLASS AND SCREEN BARRIER CERTIFIED WITH THE APPLIANCE ONLY / POUR UTILISATION UNIQUEMENT AVEC LES PORTES EN VERRE
CERTIFIÉS AVEC L'APPAREIL
 Pacific Energy
 Fireplace Products Ltd.
 Duncan, British Columbia,
 Canada

MINIMUM CLEARANCES TO COMBUSTIBLES / CLAIRANCES MINIMALES AVEC LES COMBUSTIBLE				
<small>Left and Right side are determined when facing the front of the appliance. / Les côtés droit et gauche se déterminent en se mettant devant l'appareil et on lui faisant face.</small>				
Top, Back and Side Standoffs / Sommet, Arrière et Côté Butée	0 in / 0 po.	(0 mm)		
Sidewall to Appliance / Du mur latéral à l'appareil	4 in / 4 po.	(102 mm)		
Ceiling to Appliance / Plafond à l'appareil	24 in / 24 po.	(610 mm)		
Mantel to Appliance / Du manteau à l'appareil	9 in / 9 po.	(229 mm)		
Maximum Mantel Extension / Allongement maximum du manteau <small>*See Installation Manual for more detail / Voyez des Directives de l'Installation pour plus détails.</small>	12 in / 12 po.	(305 mm)		
Mantel Supports / Supports du manteau	4 in / 4 po.	(102 mm)		
Vent Pipe / Déchargez le Tuyau	1.75 in / 1.75 po.	(45 mm)		

WARNING: Improper installation, adjustment, alteration, service or maintenance can cause injury or property damage. Refer to the owner's information manual provided with this appliance. For assistance or additional information, consult a qualified installer, service agency or the gas supplier.
AVERTISSEMENT: Une installation, un réglage, une modification, une réparation ou un entretien mal effectué peut causer des dommages matériels ou des blessures. Voir la notice de l'utilisateur qui accompagne l'appareil. Pour de l'aide ou des renseignements supplémentaires, consultez un installateur, un technicien agréé ou le fournisseur de gaz.

050814

5050.7204D

1-TCWS54-D

DATE OF MANUFACTURE				
JAN	FEB	MAR	APR	2014
MAY	JUN	JUL	AUG	2015
SEP	OCT	NOV	DEC	2016