

JEG  
 NJC  
 DNM  
 21502.10  
 DESIGNED BY:  
 DRAWN BY:  
 CHECKED BY:  
 PROJECT:

UNIVERSITY OF NEW ENGLAND  
 PORTLAND CAMPUS  
 STEVEN AVENUE ARMORY  
 716 STEVENS AVE  
 PORTLAND, MAINE 04103  
 11207285-0171

RENOVATIONS TO THE  
 STEVENS AVENUE ARMORY

CONNECTION SCHEDULE, LINTEL SCHEDULES AND DETAILS

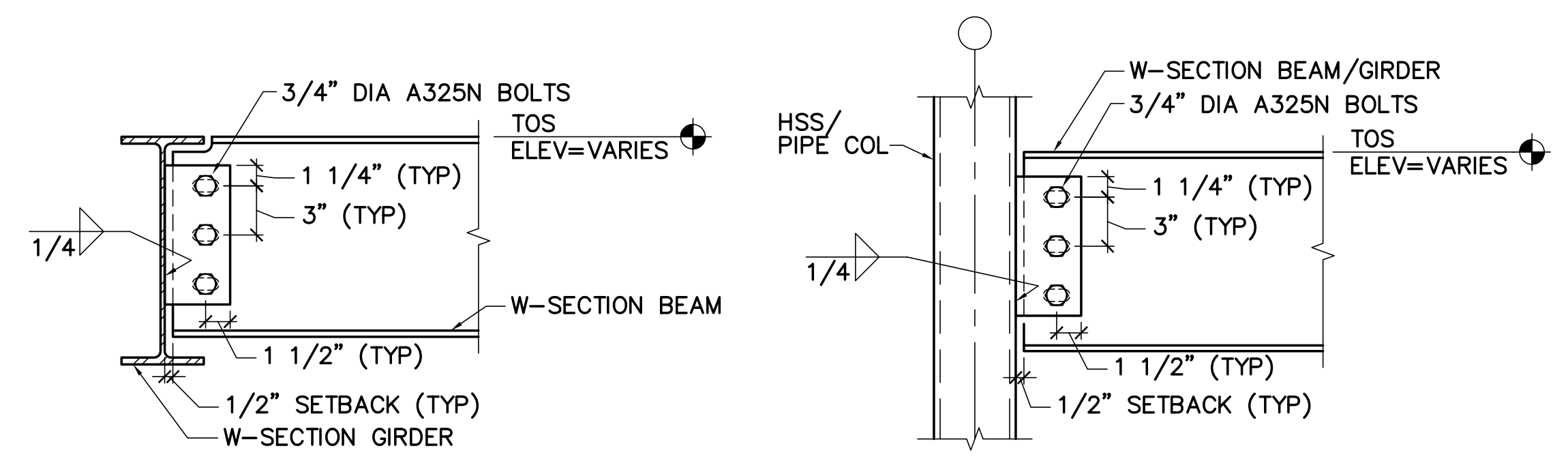
SCALE: AS NOTED  
 DATE: 05-24-16

DWG. SF602

SHEET: 44 OF 169

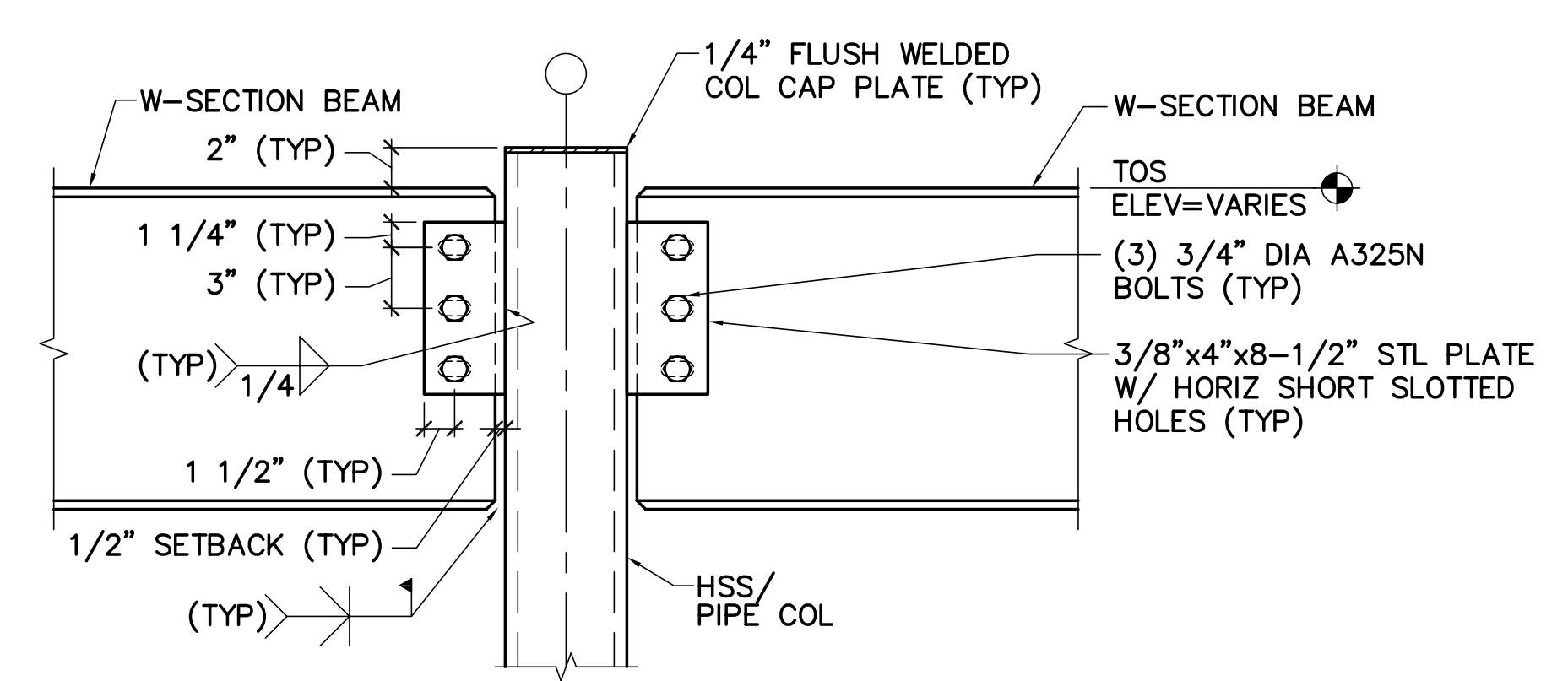
SHEAR PLATE AT WIDE FLANGE BEAM/ COLUMN CONNECTION SCHEDULE			
FACTORED REACTION Ru (KIPS)	SHEAR PLATE SIZE	NUMBER/SIZE OF BOLTS	WELD SIZE
10 TO 24	3/8"x4"x5-1/2"	(2) 3/4" DIA A325N	1/4"
25 TO 43	3/8"x4"x8-1/2"	(3) 3/4" DIA A325N	1/4"
44 TO 62	3/8"x4"x11-1/2"	(4) 3/4" DIA A325N	1/4"
63 TO 81	3/8"x4"x1-2 1/2"	(5) 3/4" DIA A325N	1/4"

NOTES:  
 1. SEE DETAIL 1/SF602 FOR TYPICAL SHEAR PLATE AT WIDE FLANGE BEAM.  
 2. COPE W-SECTION BEAMS AS REQUIRED/INDICATED.  
 3. BEAMS HAVE BEEN CHECKED FOR FLEXURAL YIELDING AND LOCAL WEB BUCKLING.  
 4. USE HORIZONTAL SHORT SLOTTED HOLES IN PLATES.  
 5. INCREASE NUMBER OF BOLTS AND LENGTH OF SHEAR PLATES SO THAT THE SHEAR PLATE LENGTH IS EQUAL TO OR GREATER THAN 1/2 DISTANCE FOR THE SUPPORTED BEAM UNLESS NOTED OTHERWISE.  
 6. ABOVE SCHEDULES APPLY TO FLOOR AND ROOF BEAMS/GIRDERS.



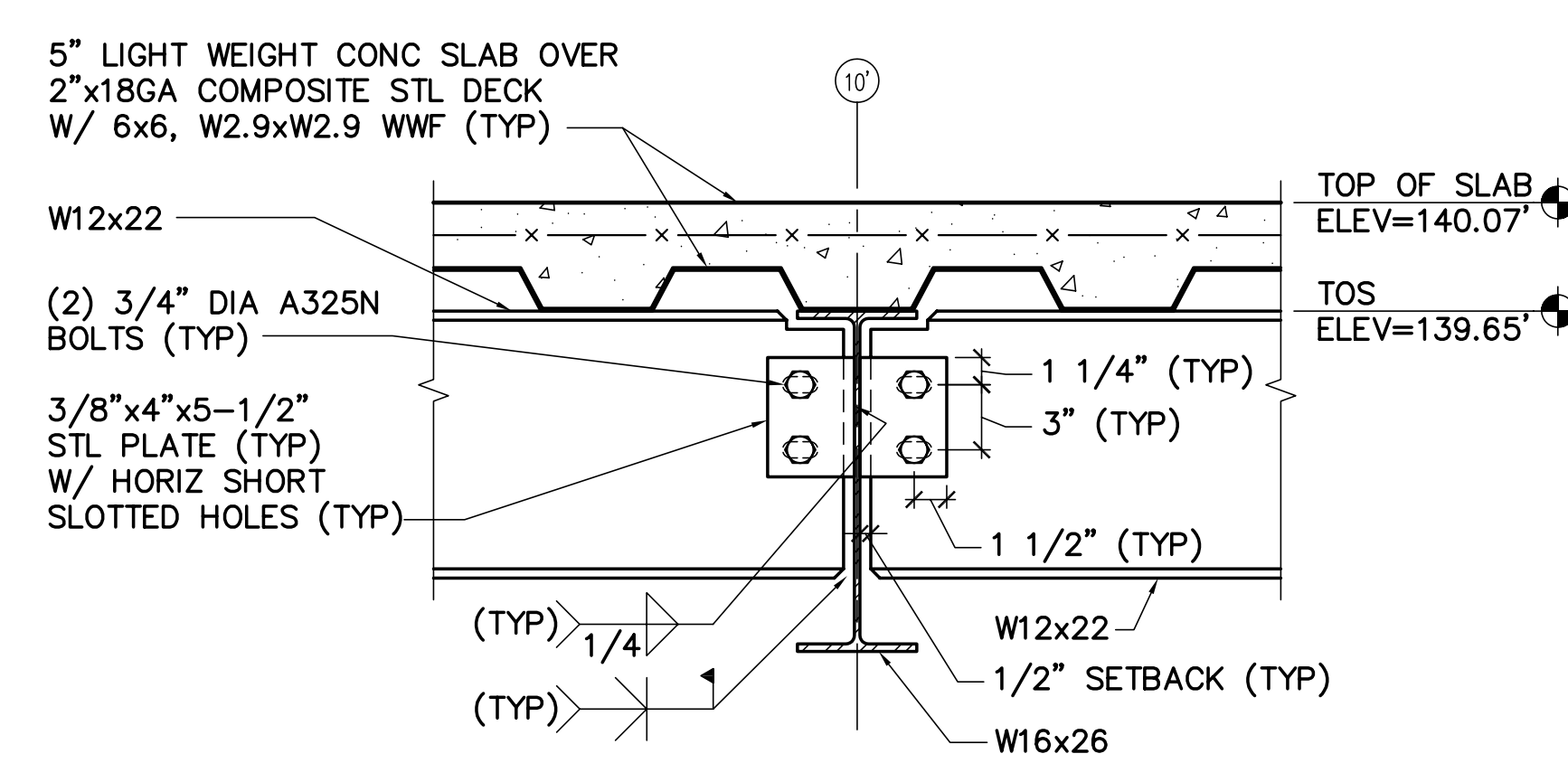
- NOTES:  
 1. FLOOR SLAB/ROOF DECK NOT SHOWN FOR CLARITY.  
 2. SETBACK MAY BE INCREASED UP TO 1" IF WIDTH OF PLATE IS INCREASED TO 4-1/2".

1 TYP SHEAR PLATE AT WIDE FLANGE BEAM/HSS COLUMN CONN DETAIL  
 SF602 SCALE: 1-1/2"=1'-0"



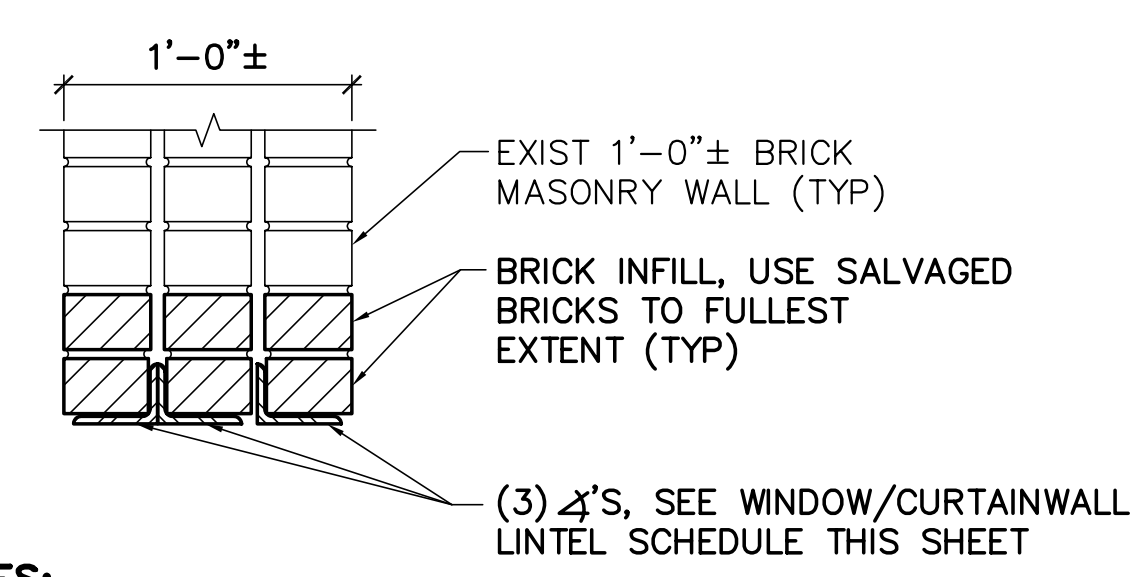
- NOTES:  
 1. FLOOR SLAB/DECK NOT SHOWN FOR CLARITY.  
 2. PERPENDICULAR BEAM TO COLUMN CONNECTION NOT SHOWN.  
 3. REMOVAL OF BACKER BARS NOT REQUIRED.

2 TYP W-SHAPE TO HSS COLUMN MOMENT CONN DETAIL  
 SF102 SF602 SCALE: 1-1/2"=1'-0"



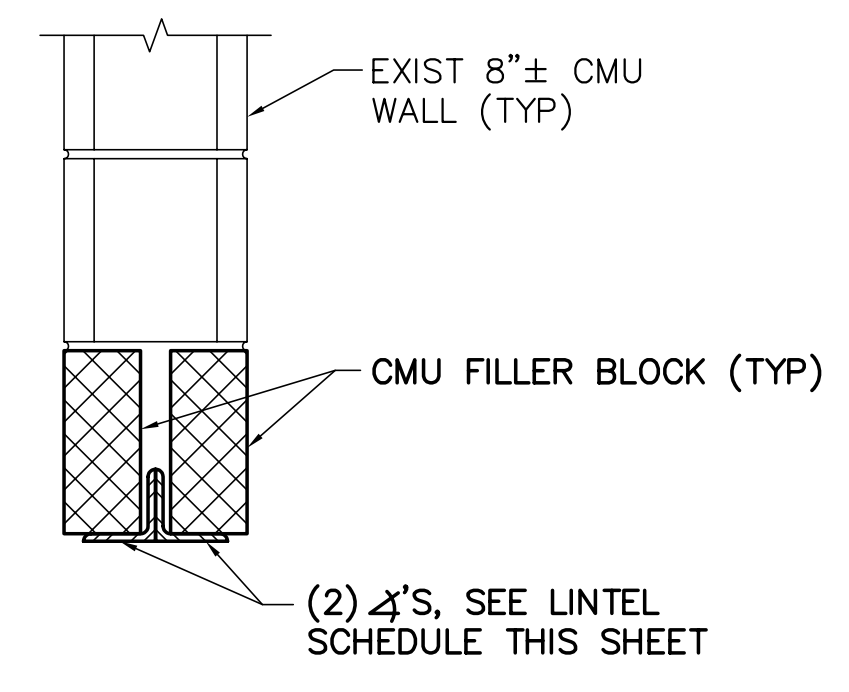
- NOTE:  
 REMOVAL OF BACKER BARS NOT REQUIRED.

3 TYP (2) W12x22 TO W16x36 MOMENT CONN DETAIL  
 SF102 SF602 SCALE: 1-1/2"=1'-0"



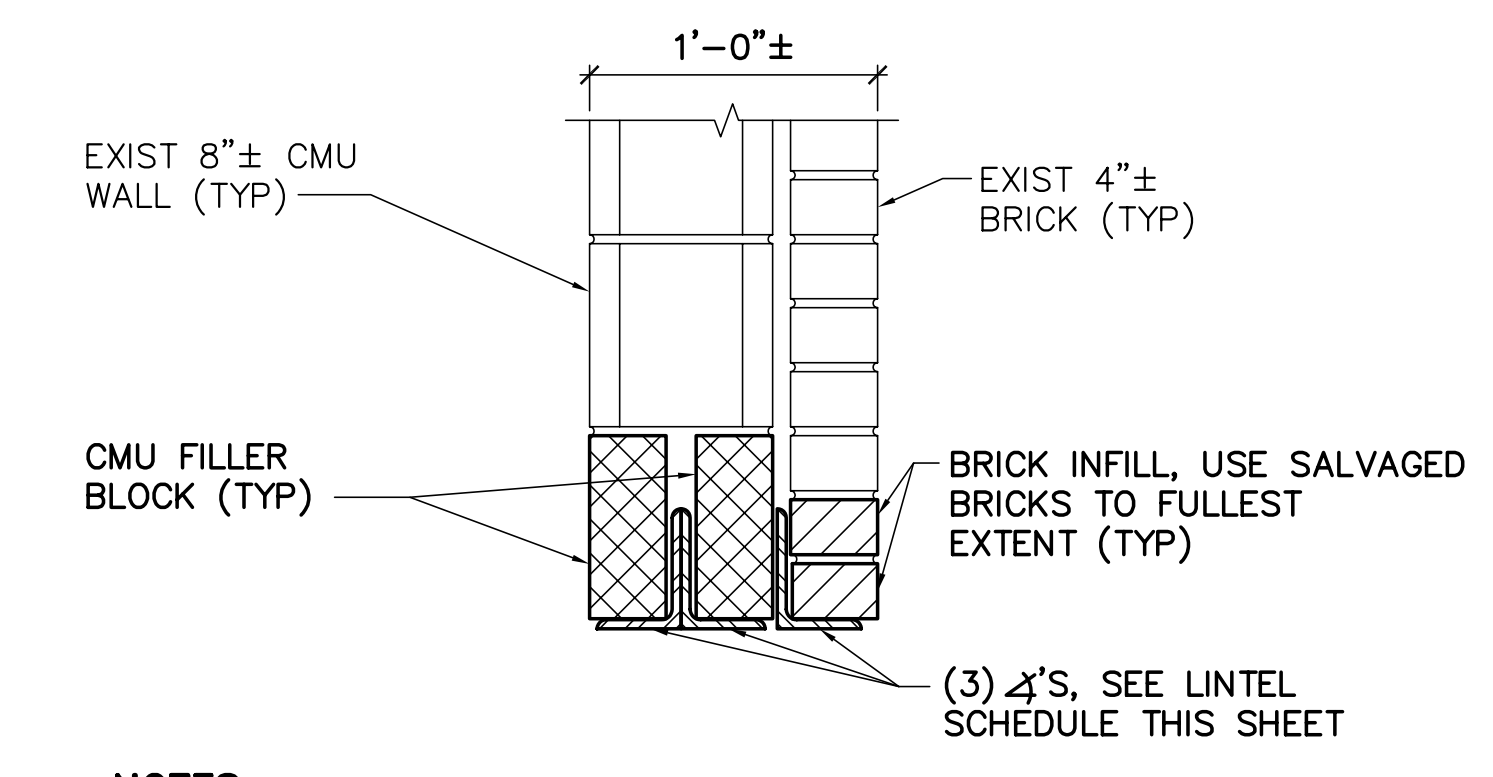
- NOTES:  
 PROVIDE TEMPORARY SUPPORT AS REQUIRED FOR INSTALLATION OF LINTEL.

4 TYP EXIST 1'-0"± BRICK WALL LINTEL DETAIL  
 SF602 SF602 SCALE: 1-1/2"=1'-0"



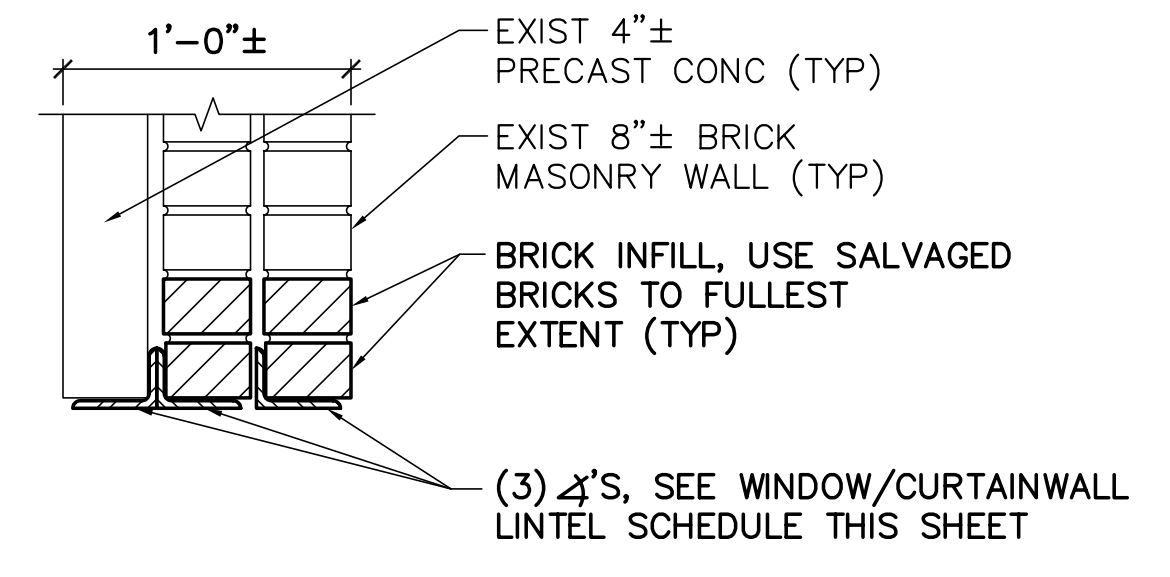
- NOTES:  
 PROVIDE TEMPORARY SUPPORT AS REQUIRED FOR INSTALLATION OF LINTEL.

5 TYP EXIST 8"± CMU WALL LINTEL DETAIL  
 SF602 SF602 SCALE: 1-1/2"=1'-0"



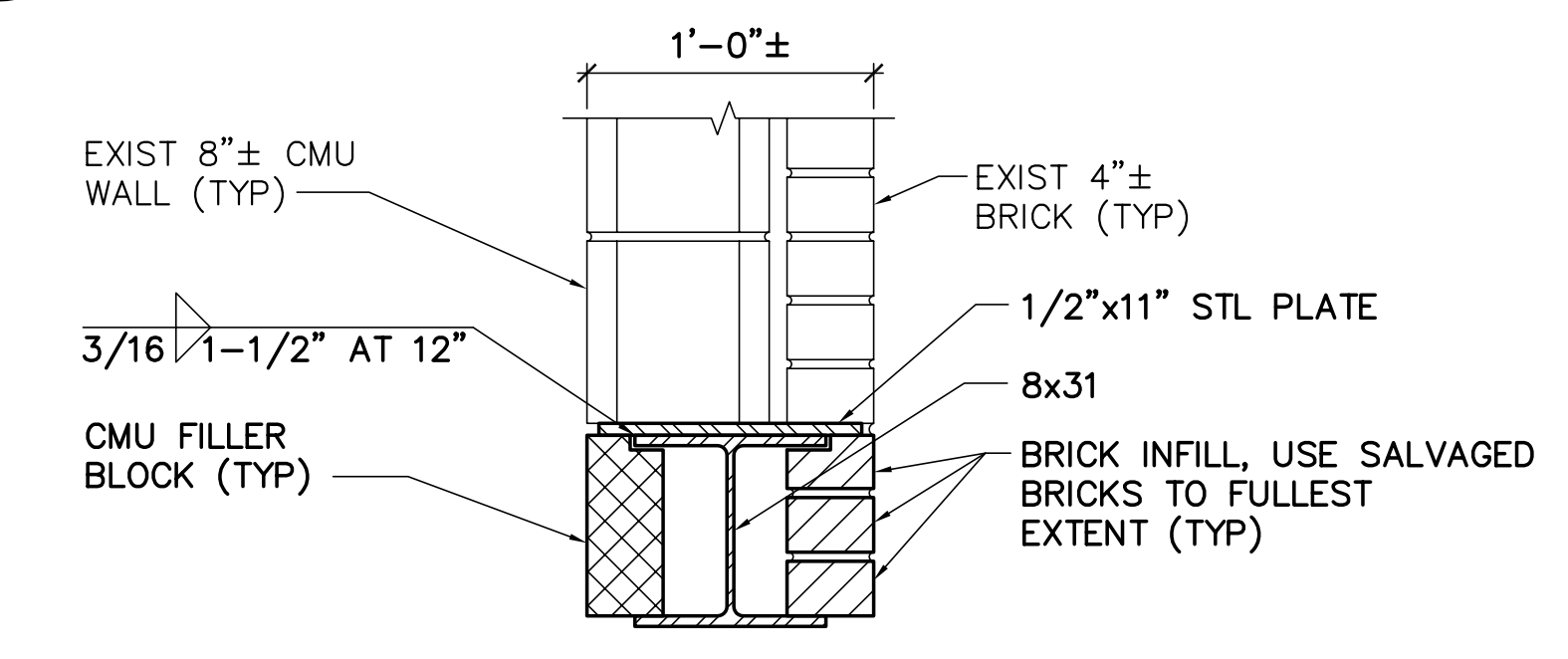
- NOTES:  
 PROVIDE TEMPORARY SUPPORT AS REQUIRED FOR INSTALLATION OF LINTEL.

6 TYP EXIST 1'-0"± MASONRY WALL LINTEL DETAIL  
 SF602 SF602 SCALE: 1-1/2"=1'-0"



- NOTES:  
 PROVIDE TEMPORARY SUPPORT AS REQUIRED FOR INSTALLATION OF LINTEL.

7 TYP EXIST 4"± PRECAST/8"± BRICK WALL LINTEL DETAIL  
 SF602 SF602 SCALE: 1-1/2"=1'-0"



- NOTES:  
 PROVIDE TEMPORARY SUPPORT AS REQUIRED FOR INSTALLATION OF LINTEL.

8 TYP W8x31 LINTEL DETAIL  
 SF602 SF602 SCALE: 1-1/2"=1'-0"

WINDOW/CURTAINWALL LINTEL SCHEDULE		
WINDOW/CURTAINWALL TYPE	LINTEL SIZE	NOTES
A	(3) 43-1/2x2-1/2x5/16 (SLV)	DETAIL 4/SF602
A1	(3) 43-1/2x3x3/8 (SLV)	DETAIL 4/SF602
B	(3) 43-1/2x2-1/2x5/16 (SLV)	DETAIL 4/SF602
C	(3) 43-1/2x2-1/2x5/16 (SLV)	DETAIL 4/SF602
D	(3) 43-1/2x2-1/2x5/16 (SLV)	DETAIL 4/SF602
E	(3) 43-1/2x2-1/2x5/16 (SLV)	DETAIL 7/SF602
F	(3) 43-1/2x2-1/2x5/16 (SLV)	DETAIL 7/SF602
J	(3) 43-1/2x2-1/2x5/16 (SLV)	DETAIL 7/SF602
K	(3) 43-1/2x2-1/2x5/16 (SLV)	DETAIL 7/SF602
1	(3) 45x3-1/2x3/8 (LLV)	DETAIL 6/SF602
6	(3) 45x3-1/2x3/8 (LLV)	DETAIL 6/SF602
8	W8x31 W/ 1/2"x11" STL PLATE	DETAIL 8/SF602
9	W8x31 W/ 1/2"x11" STL PLATE	DETAIL 8/SF602
10	W8x31 W/ 1/2"x11" STL PLATE	DETAIL 8/SF602
11	W8x31 W/ 1/2"x16" STL PLATE	DETAIL 8/SF602 (SIM)

GENERAL NOTES:  
 1. GALVANIZE LINTELS.  
 2. PROVIDE 8" MINIMUM END BEARING.

LINTEL SCHEDULE			
WALL TYPE/THICKNESS	LENGTH	LINTEL SIZE	NOTES
12" BRICK	UP TO 6'-4"	(3) 43-1/2x3-1/2x3/8	DETAIL 6/SF602
12" BRICK	6'-5" TO 7'-10"	(3) 45x3-1/2x5/16 (LLV)	DETAIL 6/SF602
12" BRICK	7'-11" TO 11'-2"	W8x31 W/ 1/2"x11" STL PLATE	DETAIL 8/SF602 (SIM)
8" CMU	UP TO 3'-4"	(2) 43x3x5/16	DETAIL 5/SF602
8" CMU	3'-5" TO 6'-4"	(2) 45x3-1/2x5/16 (LLV)	DETAIL 5/SF602
8" BRICK	3'-5" TO 6'-4"	(2) 5x3-1/2x5/16 (LLV)	DETAIL 5/SF602 (SIM)
12" CMU	UP TO 14'-8"	W8x31 W/ 1/2"x11" STL PLATE	DETAIL 8/SF602 (SIM)
8" CMU/4" BRICK	UP TO 14'-8"	W8x31 W/ 1/2"x11" STL PLATE	DETAIL 8/SF602

GENERAL NOTES:  
 1. PROVIDE 8" MINIMUM END BEARING.  
 2. GALVANIZE LINTELS AT EXTERIOR WALLS.

