

COLUMN BASE PLATE SCHEDULE AT GRAVITY COLUMNS										PIER SCHEDULE		PIER DETAIL
BASE PLATE TYPE	BASE PLATE DETAIL	t	B	L	COL TO PLATE WELD (D)	ANCHOR ROD DIA	ANCHOR ROD EMBEDMENT	ANCHOR ROD PROJECTION	WIDTH	LENGTH		
BP1	3/SF601	1/2"	10"	10"	1/4"	3/4"	1-0"	4"	1'-6"	1'-6"		1/SF601
BP2	3/SF601	1/2"	11"	11"	1/4"	3/4"	1-0"	4"	1'-6"	1'-6"		1/SF601
BP3												
BP4												
BP5												
BP6												
BP7												
BP8												

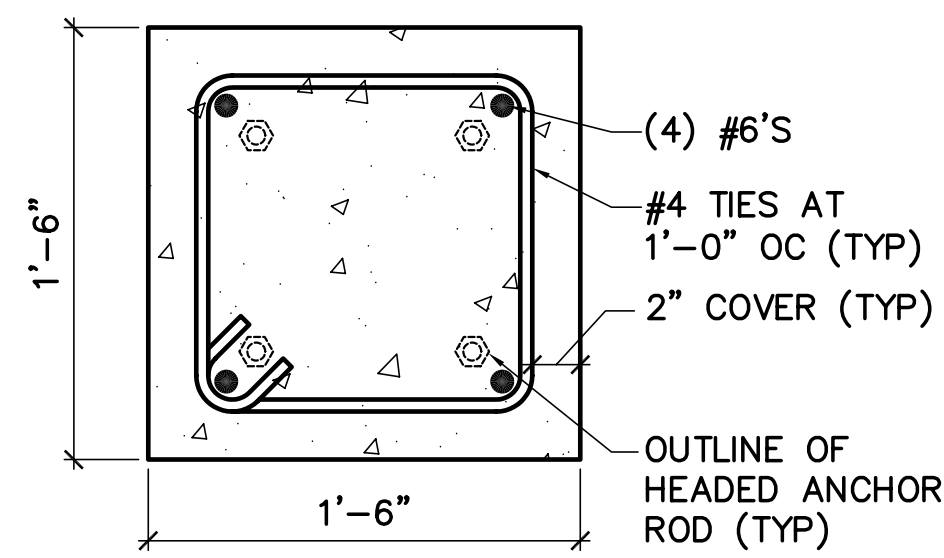
NOTE:
COLUMNS HAVE (4) ASTM F1554, GRADE 36, ANCHOR RODS WITH HEAVY HEX NUTS.

COLUMN BASE PLATE SCHEDULE AT MOMENT FRAMES/BRACED FRAMES										PIER SCHEDULE		PIER DETAIL
BASE PLATE TYPE	BASE PLATE DETAIL	t	B	L	COL TO PLATE WELD (D)	ANCHOR ROD DIA	ANCHOR ROD EMBEDMENT	ANCHOR ROD PROJECTION	WIDTH	LENGTH		
BP11	3/SF601	3/4"	11"	11"	1/4"	3/4"	1'-0"	6"	1'-6"	1'-6"		1/SF601
BP12	3/SF601	3/4"	12"	12"	1/4"	3/4"	1'-0"	6"	1'-6"	1'-6"		1/SF601
BP13	4/SF601	1-1/2"	14"	14"	7/16"	1-1/4"	1'-0"	6"	2'-0"	2'-0"		2/SF601
BP14	3/SF601	1-1/2"	12"	12"	7/16"	1"	1'-0"	6"	2'-0"	2'-0"		2/SF601
BP15	3/SF601	1-1/2"	12"	12"	9/16"	1"	1'-0"	6"	2'-0"	2'-0"		2/SF601

NOTE:
COLUMNS HAVE (4) ASTM F1554, GRADE 36, ANCHOR RODS WITH HEAVY HEX NUTS.

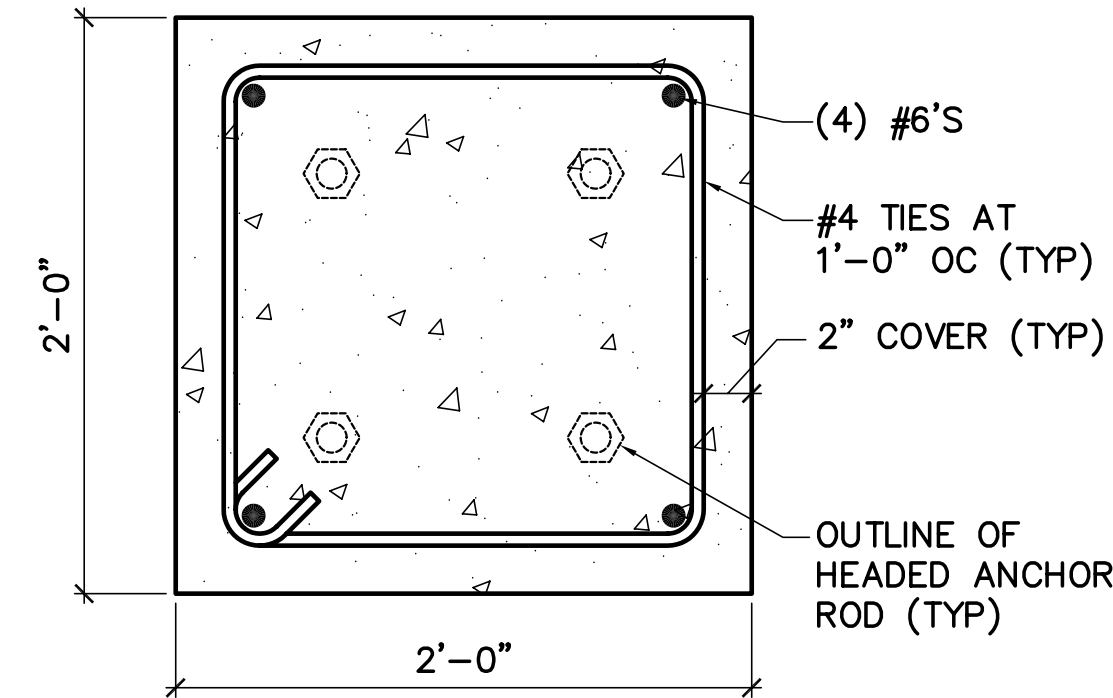
COLUMN CAP PLATE SCHEDULE				
CAP PLATE TYPE	t	B	L	DIA
CP1	1/4"	4"	4"	-
CP2	1/4"	5"	5"	-
CP3	1/4"	6"	6"	-
CP4	1/4"	8"	6"	-

NOTE:
FLUSH WELD CAP PLATES UNLESS NOTED OTHERWISE.



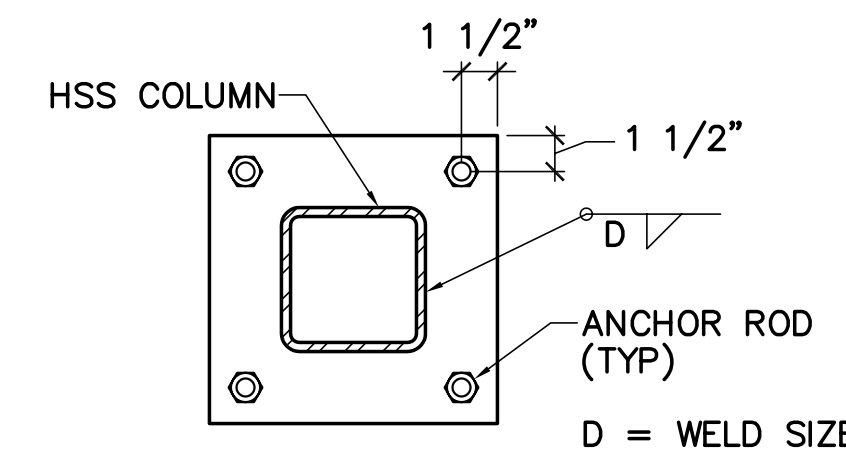
- NOTES:**
- PROVIDE (3) #4 TIES W/ 3" SPACING, TYPICAL TOP AND BOTTOM OF VERTICAL REINFORCING STEEL.
 - LOCATE BOTTOM TIES IN COLUMN FOOTING.
 - PROVIDE 1'-0" BOTTOM HOOK INTO FOOTING UNLESS NOTED OTHERWISE.
 - AT COLUMNS Q/1, Q/2, S/1, S/2, U/1 AND U/2 NO BOTTOM HOOKS ARE REQUIRED. EXTEND VERTICAL REINFORCING 8" INTO FOOTING.

1 TYP PIER DETAIL A
SF201, SF601 SCALE: 1-1/2"=1'-0"

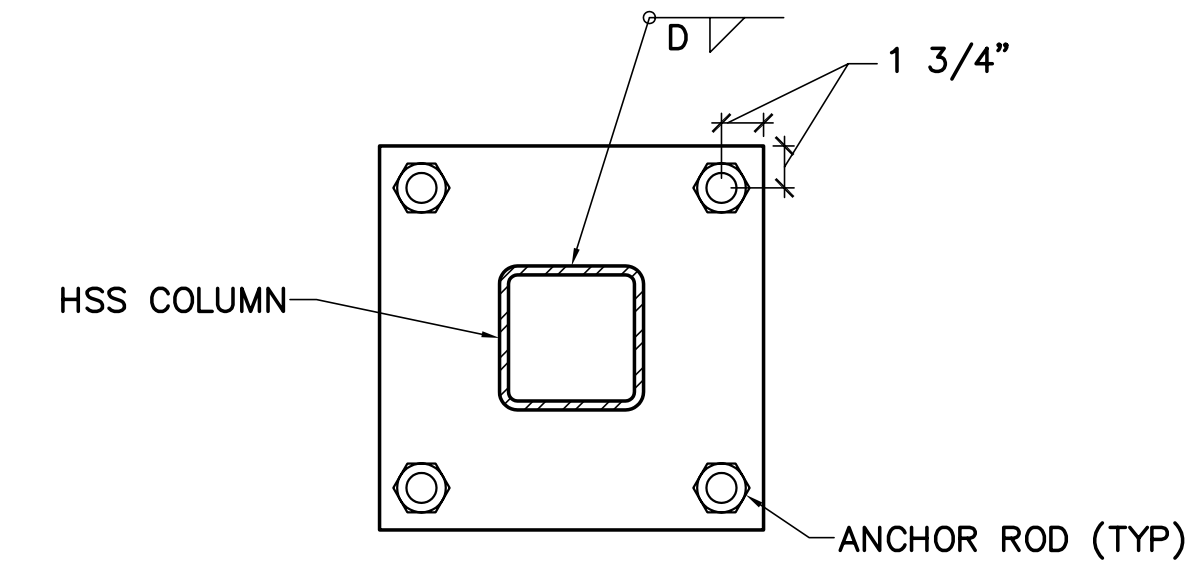


- NOTES:**
- PROVIDE (3) #4 TIES W/ 3" SPACING, TYPICAL TOP AND BOTTOM OF VERTICAL REINFORCING STEEL.
 - LOCATE BOTTOM TIES IN COLUMN FOOTING.
 - PROVIDE 1'-0" BOTTOM HOOK INTO FOOTING UNLESS NOTED OTHERWISE.

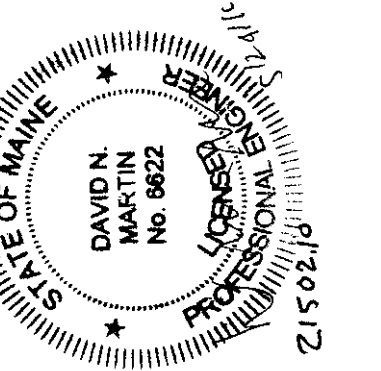
2 TYP PIER DETAIL B
SF601 SCALE: 1-1/2"=1'-0"



- NOTE:**
PROVIDE 3/4" MAXIMUM NON-SHRINK GROUT UNDER BASE PLATES.
- 3 TYP BASEPLATE DETAIL A**
SF601 SCALE: 1-1/2"=1'-0"



- NOTE:**
PROVIDE 3/4" MAXIMUM NON-SHRINK GROUT UNDER BASE PLATES.
- 4 TYP BASEPLATE DETAIL B**
SF601 SCALE: 1-1/2"=1'-0"



JEG
MJC
DNM
21502-10
DESIGNED BY:
DRAWN BY:
CHECKED BY:
PROJECT:

UNIVERSITY OF NEW ENGLAND
PORTLAND CAMPUS
STEVEN AVENUE ARMORY
716 STEVENS AVE
PORTLAND, MAINE 04103
1(207)283-0171

RENOVATIONS TO THE
STEVEN AVENUE ARMORY

BASE PLATE SCHEDULES, DETAILS AND PIER DETAILS

SCALE: AS NOTED
DATE: 05-24-16

DWG. **SF601**

SHEET: 43 OF 169

