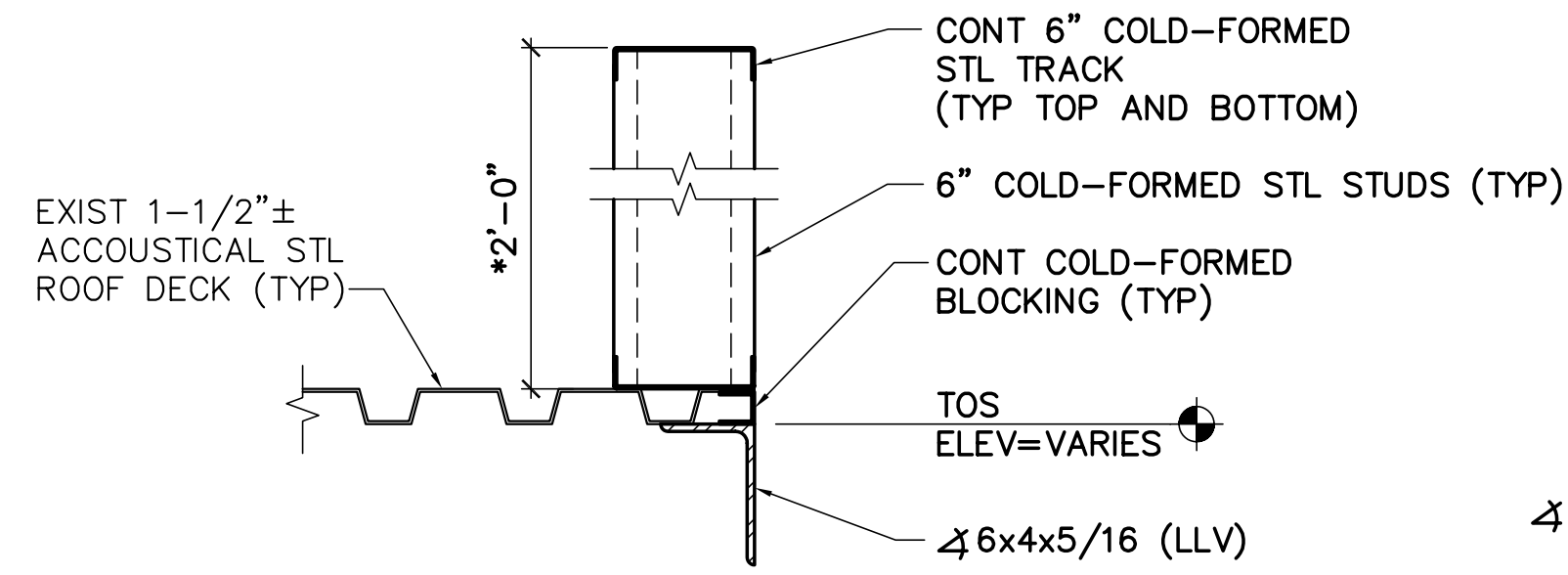
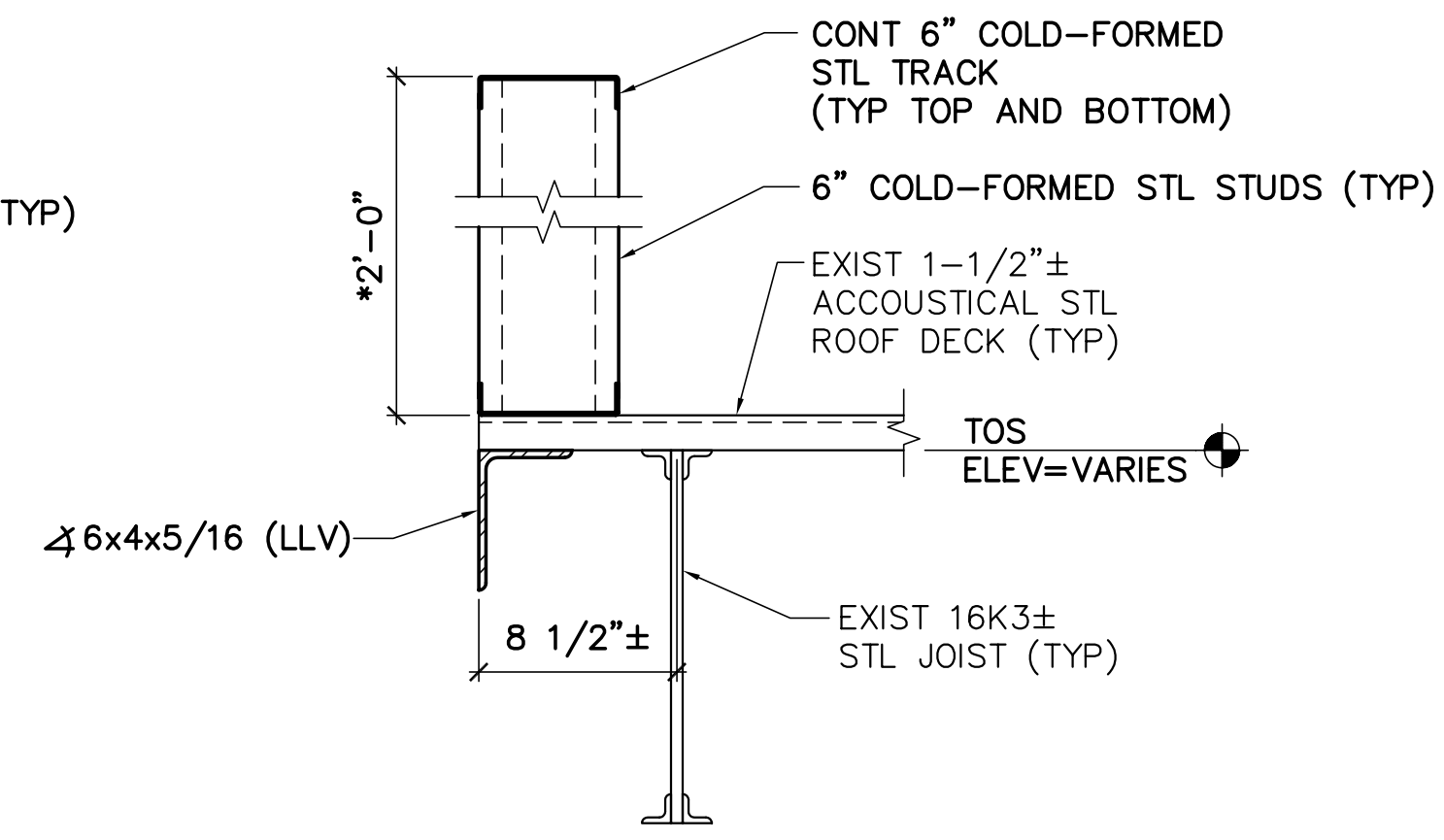


1 TYP STL ROOF DECK PATCH DETAIL
 SF103 SF504 SCALE: 1-1/2"=1'-0"



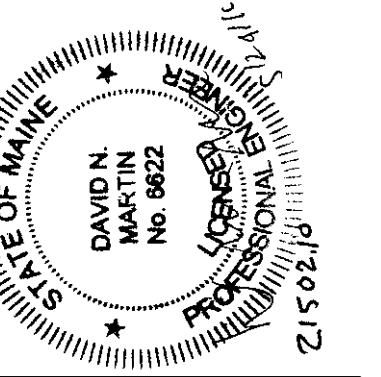
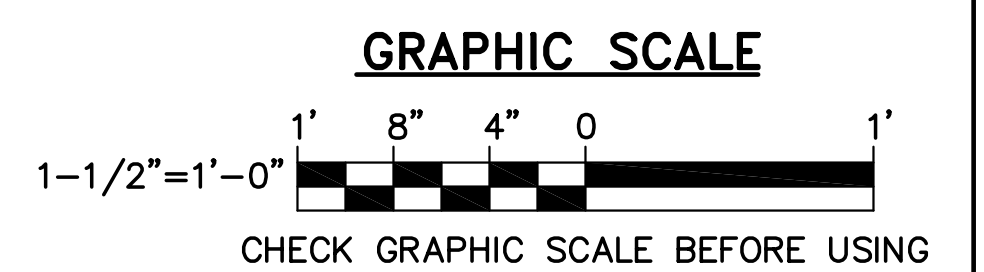
NOTE:
 * - COORDINATE WITH ARCHITECTURAL PLANS AND SKYLIGHT MANUFACTURER.

2 TYP SKYLIGHT HEADER DETAIL
 SF103 SF504 SCALE: 1-1/2"=1'-0"



NOTE:
 * - COORDINATE WITH ARCHITECTURAL PLANS AND SKYLIGHT MANUFACTURER.

3 TYP SKYLIGHT HEADER DETAIL
 SF103 SF504 SCALE: 1-1/2"=1'-0"



DESIGNED BY: JEG
 DRAWN BY: MJC
 CHECKED BY: DNM
 PROJECT: 21502.10

UNIVERSITY OF NEW ENGLAND
 PORTLAND CAMPUS
 STEVEN AVENUE ARMORY
 716 STEVENS AVE
 PORTLAND, MAINE 04103
 (1) 207 283-0171

RENOVATIONS TO THE
 STEVENS AVENUE ARMORY

STRUCTURAL
 DETAILS 4

SCALE: AS NOTED
 DATE: 05-24-16

DWG. **SF504**

SHEET: 42 OF 169