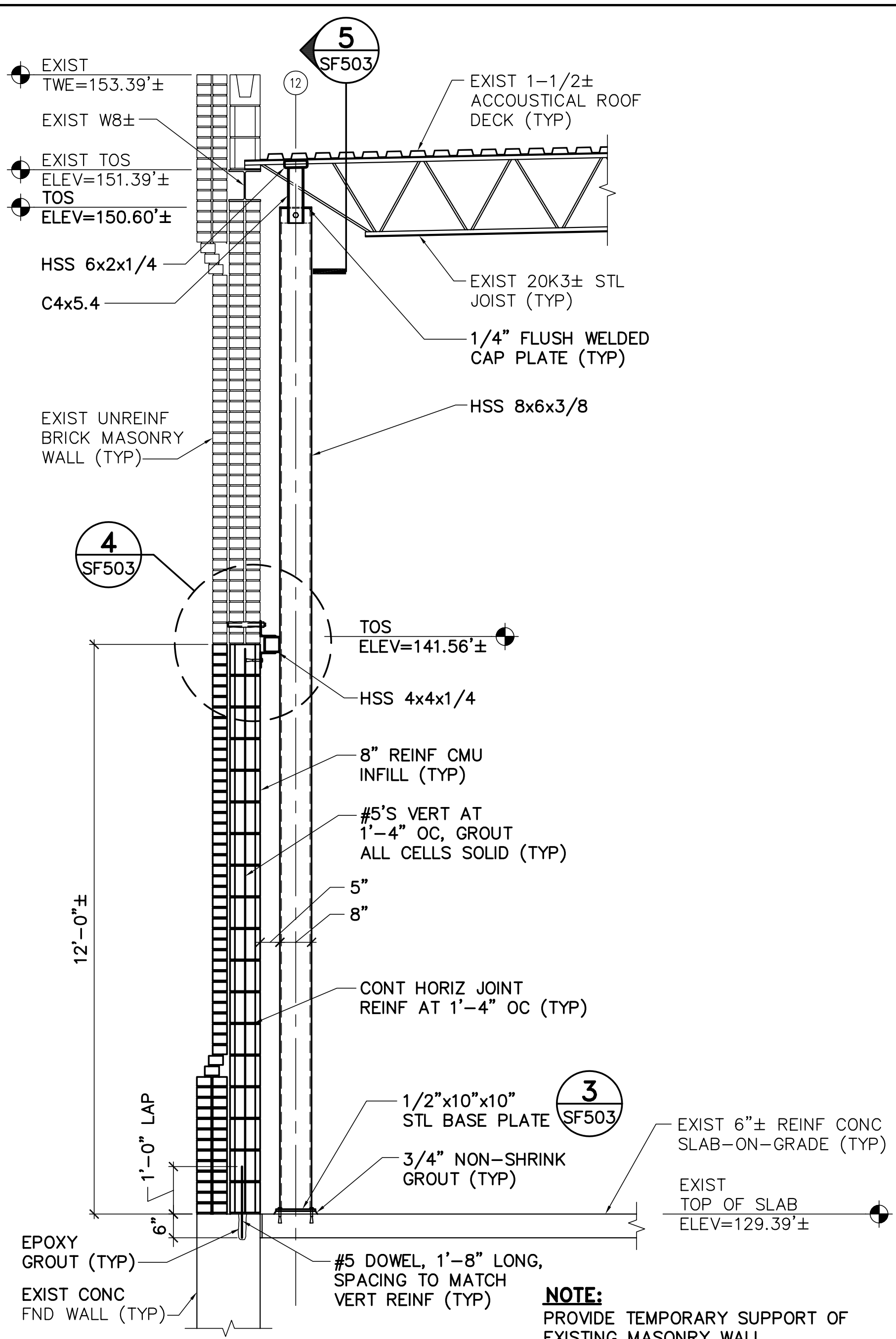
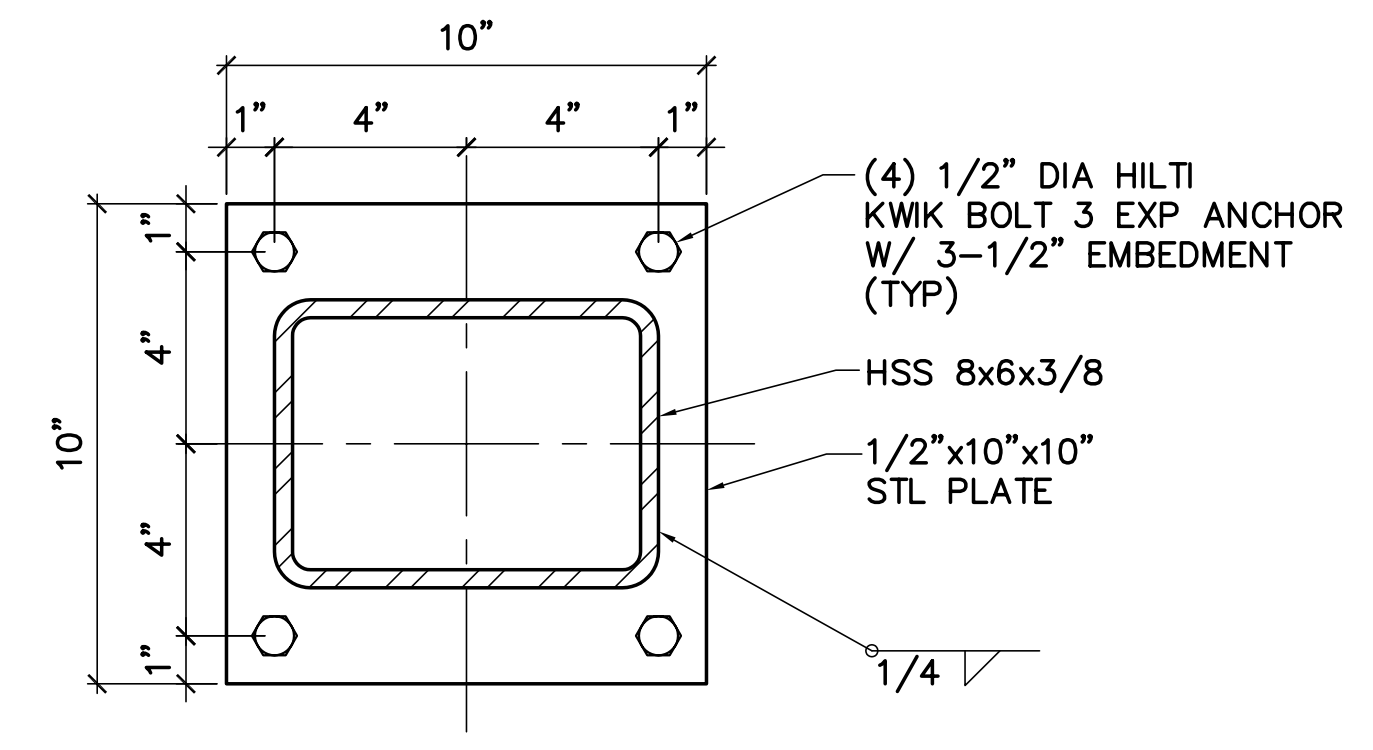


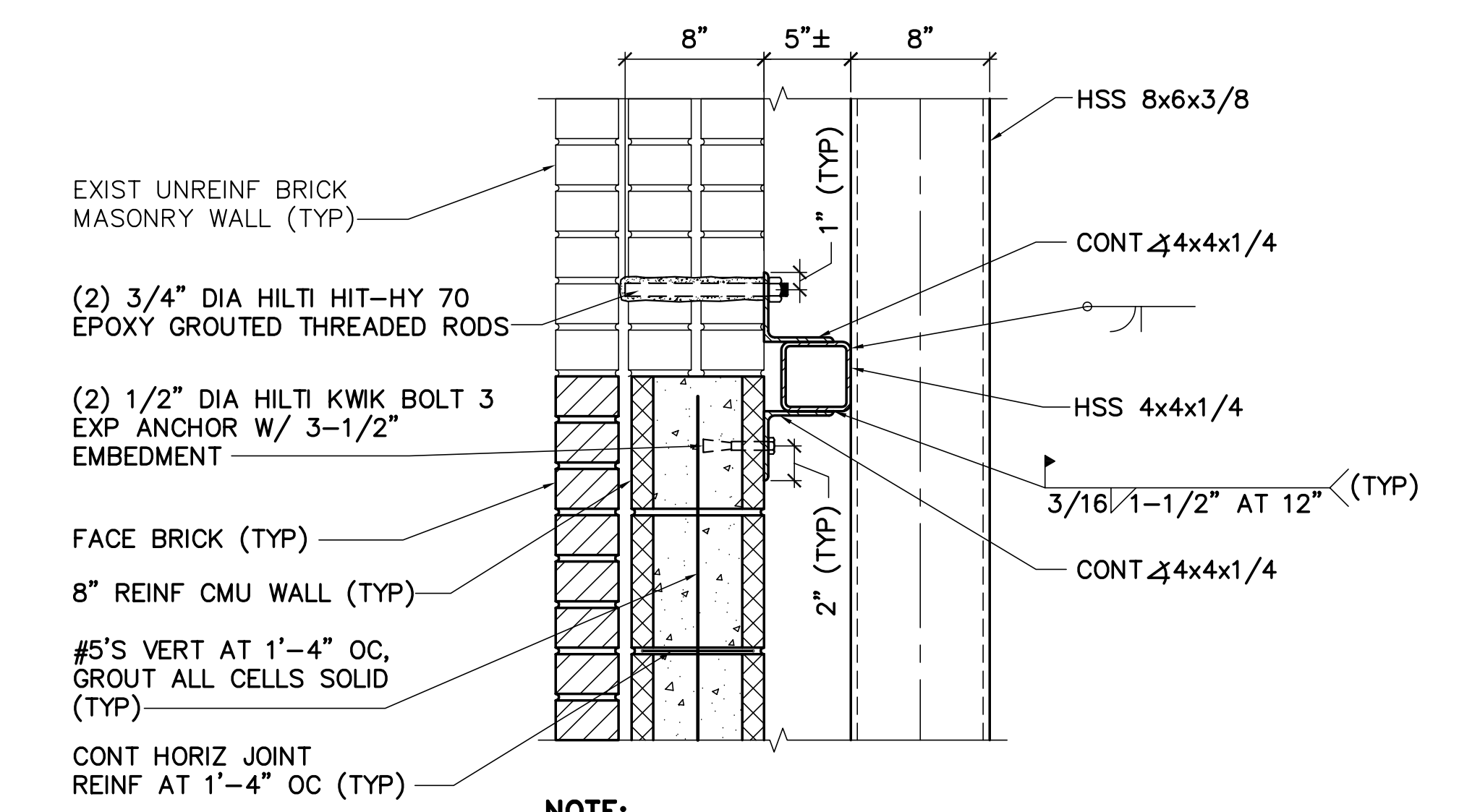
**1 TYP MASONRY WALL BRACING FRAME ELEVATION**  
 SF503 SCALE: 1/2"=1'-0"



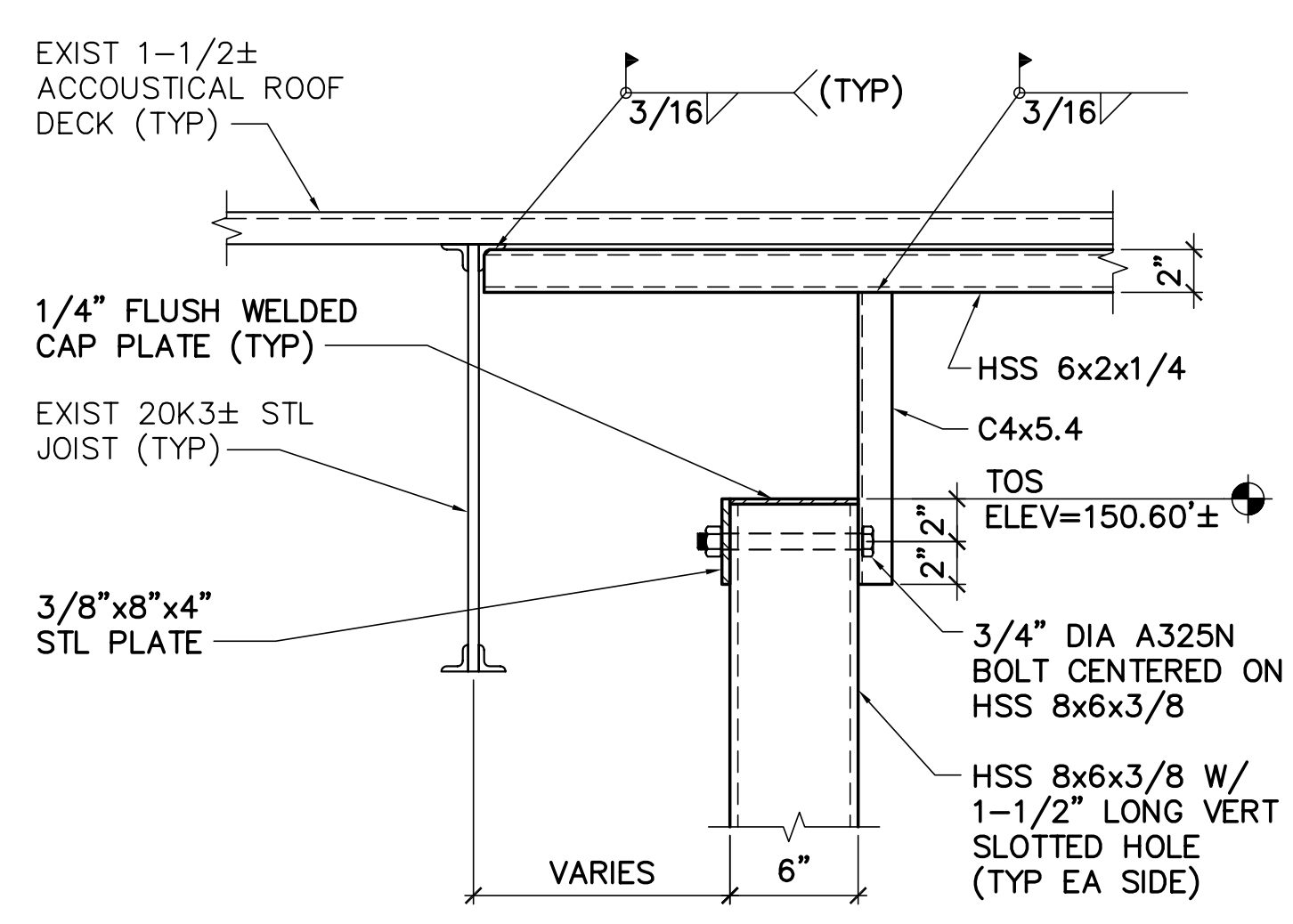
**2 TYP MASONRY WALL BRACING FRAME SECTION**  
 SF503 SCALE: 1/2"=1'-0"



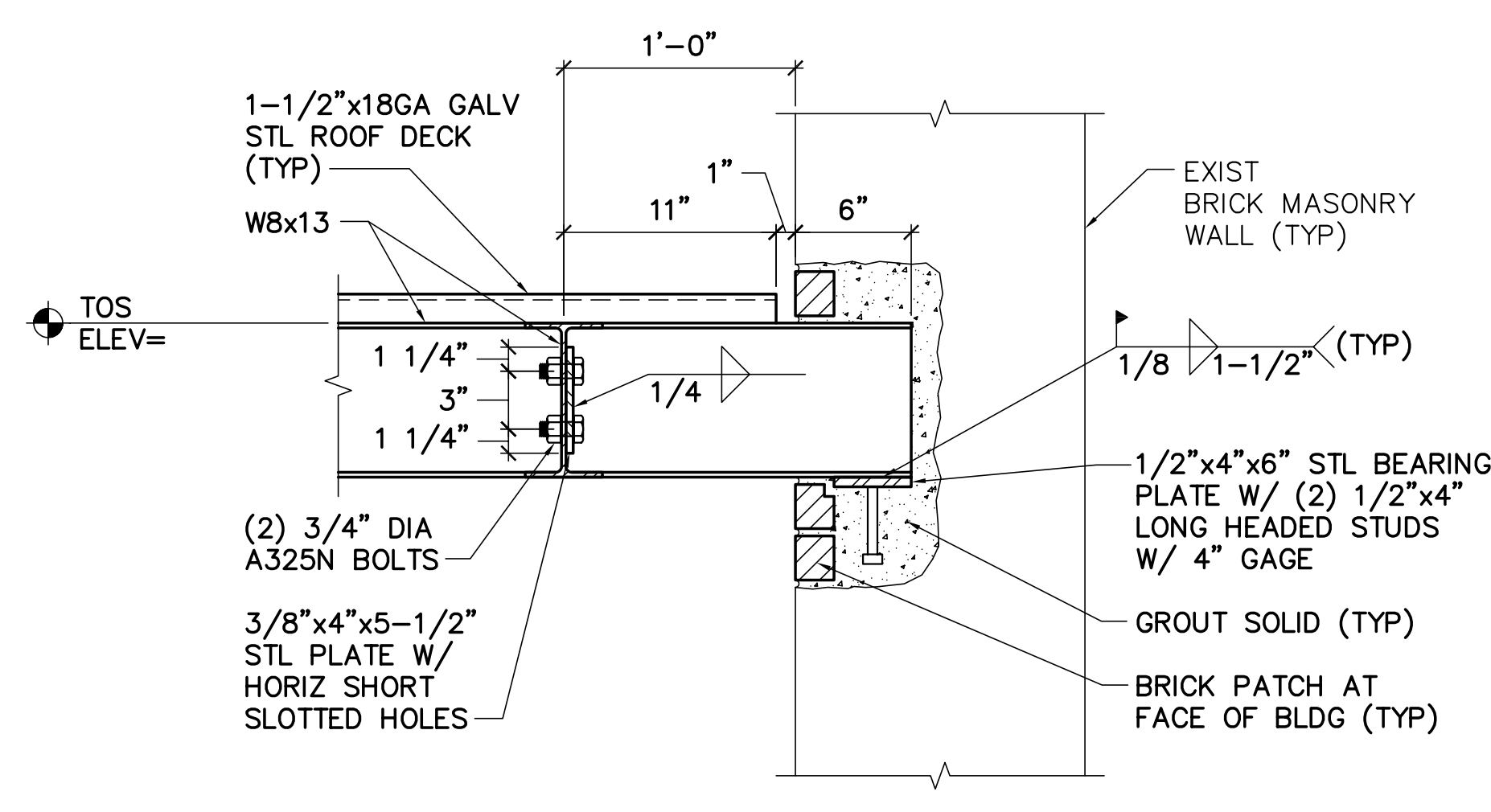
**3 TYP MASONRY WALL BRACING FRAME BASE PLATE DETAIL**  
 SF503 SCALE: 3"=1'-0"



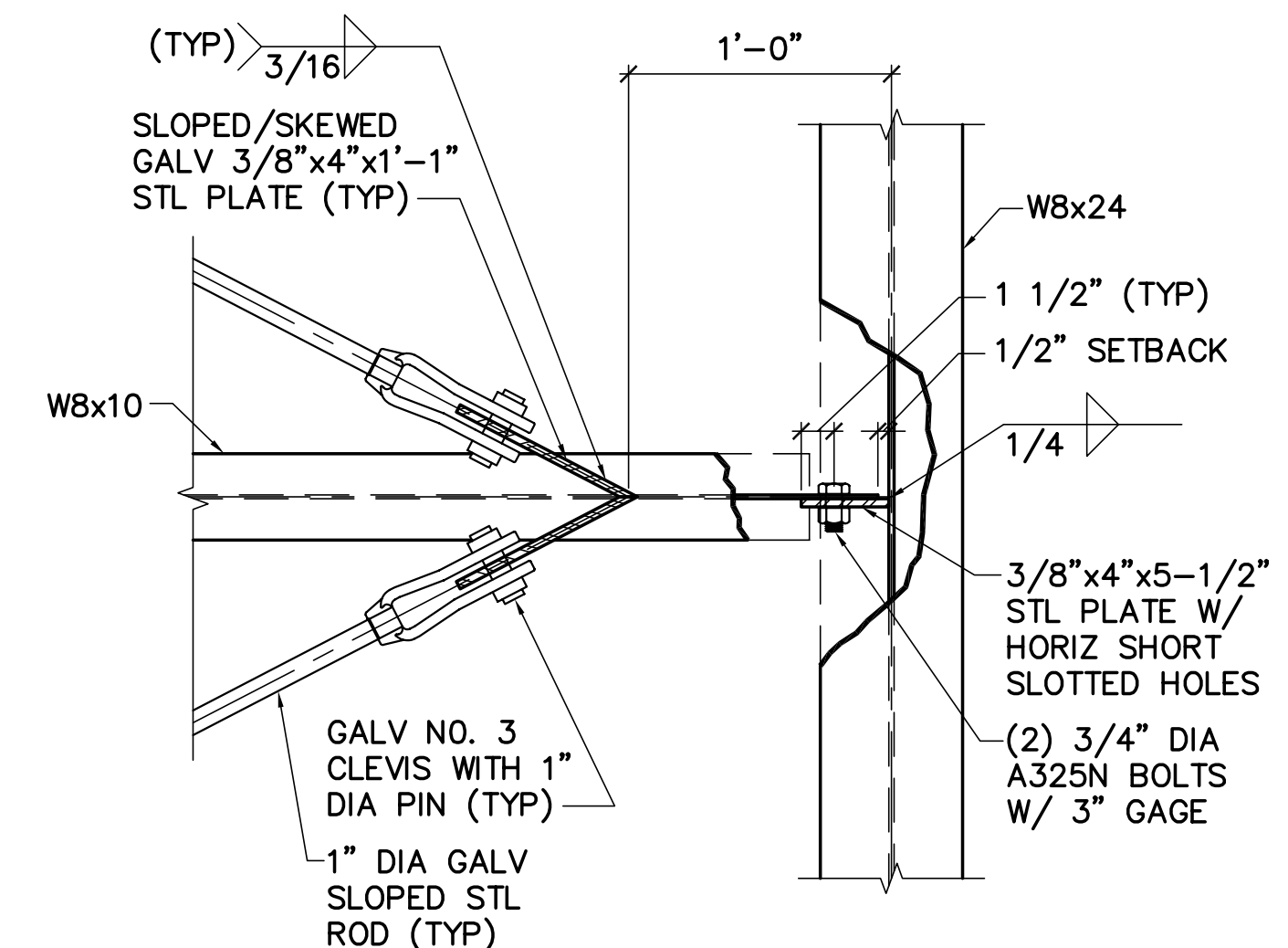
**4 HSS 4x4x1/4 TO UNREINF BRICK/CMU WALL CONN DETAIL**  
 SF503 SCALE: 1-1/2"=1'-0"



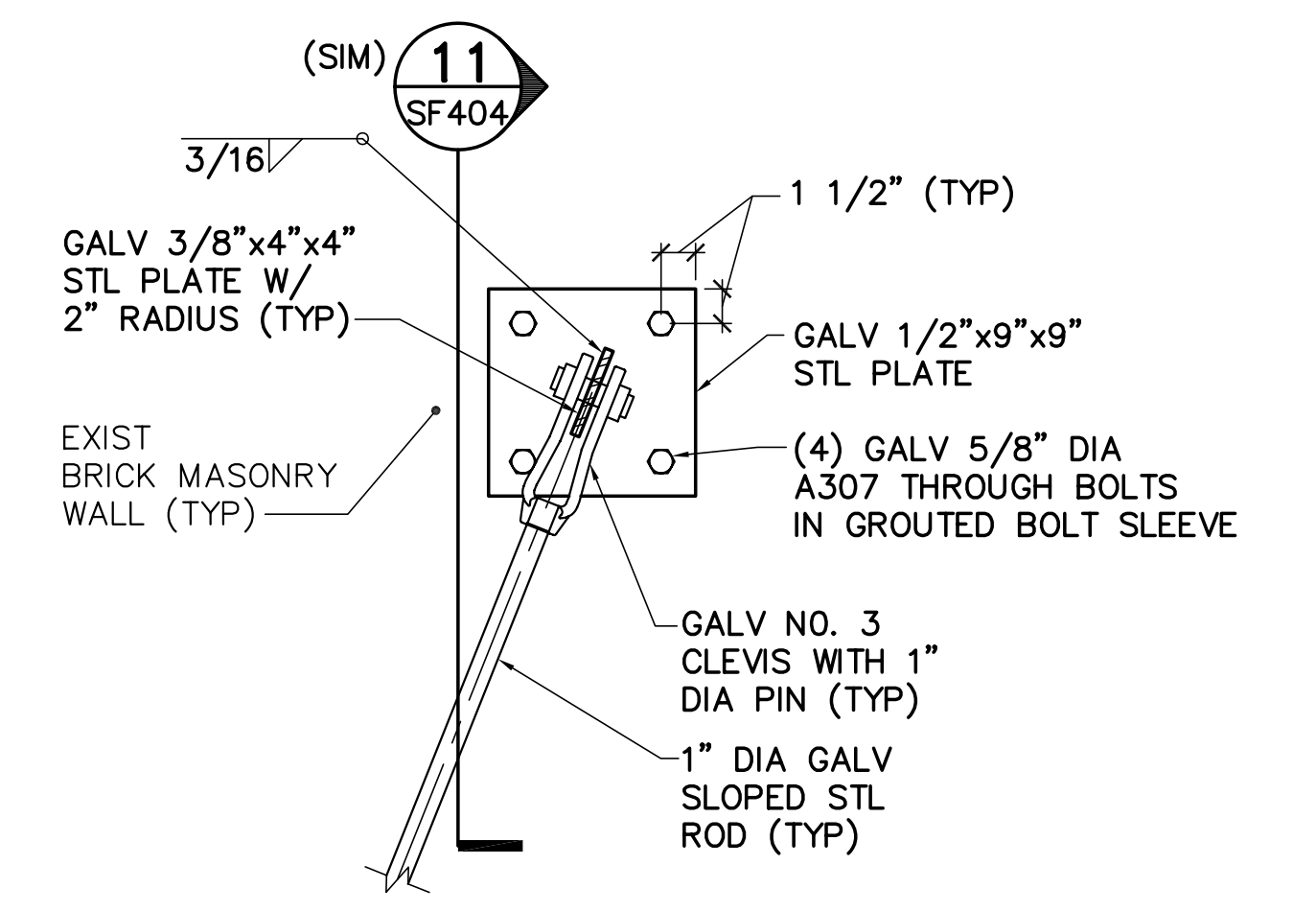
**5 HSS 8x6x3/8 TO HSS 6x2x1/4 CONN DETAIL**  
 SF503 SCALE: 1-1/2"=1'-0"



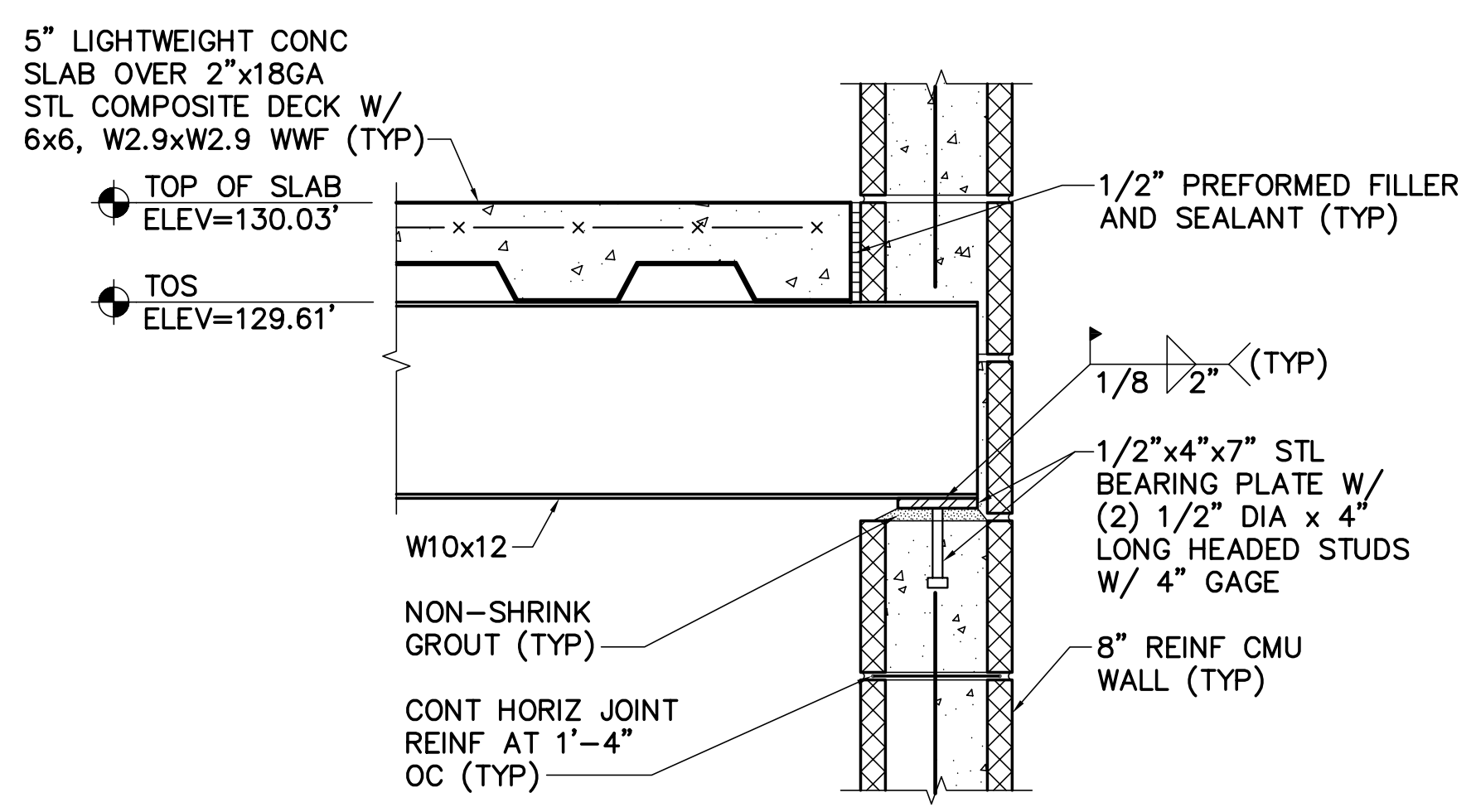
**6 W8x13 TO EXIST MASONRY WALL CONN DETAIL**  
 SF404 SCALE: 1-1/2"=1'-0"



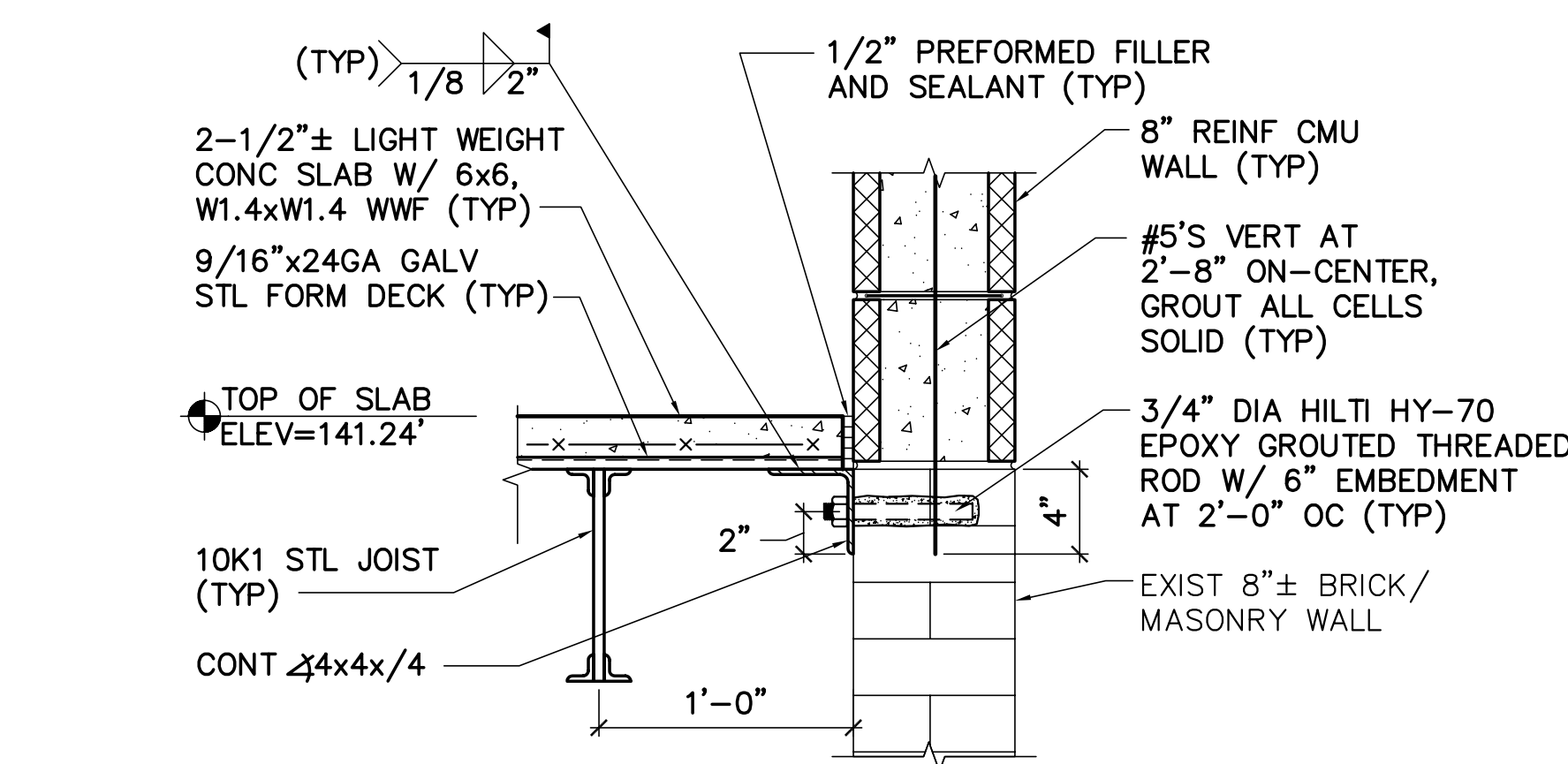
**7 TYP (2) 1\"/>
 SF404 SCALE: 1-1/2"=1'-0"**



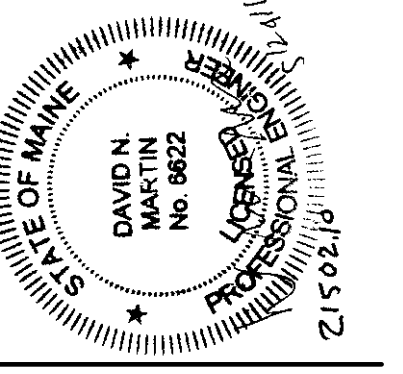
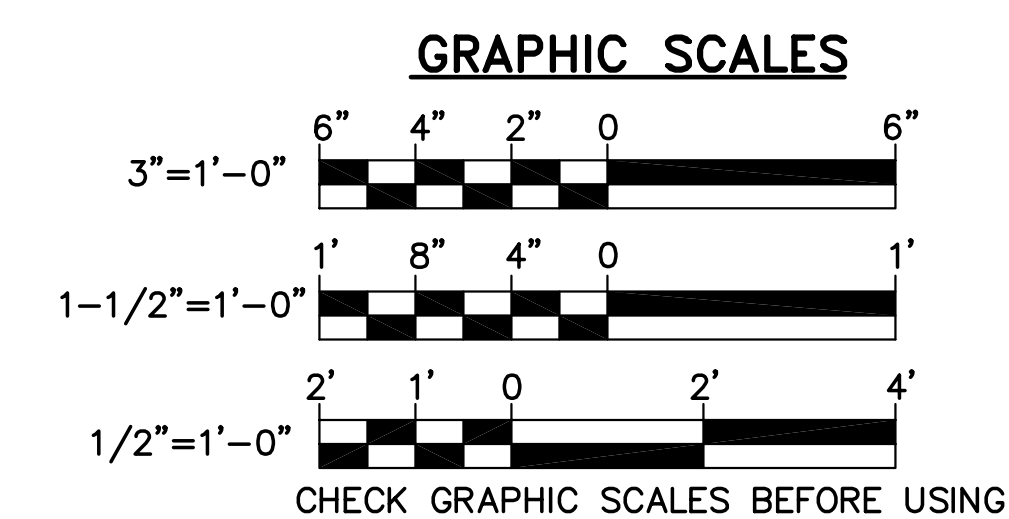
**8 TYP 1\"/>
 SF404 SCALE: 1-1/2"=1'-0"**



**9 TYP W10x12 BEAM BEARING PLATE DETAIL**  
 SF503 SCALE: 1-1/2"=1'-0"



**10 TYP 8\"/>
 SF503 SCALE: 1-1/2"=1'-0"**



JEG  
 NJC  
 DNM  
 21602.10  
 DESIGNED BY:  
 DRAWN BY:  
 CHECKED BY:  
 PROJECT:

UNIVERSITY OF NEW ENGLAND  
 PORTLAND CAMPUS  
 STEVEN AVENUE ARMORY  
 716 STEVENS AVE  
 PORTLAND, MAINE 04103  
 11207265-0171

RENOVATIONS TO THE  
 STEVENS AVENUE ARMORY

STRUCTURAL  
 DETAILS 3

SCALE: AS NOTED  
 DATE: 05-24-16

DWG. **SF503**