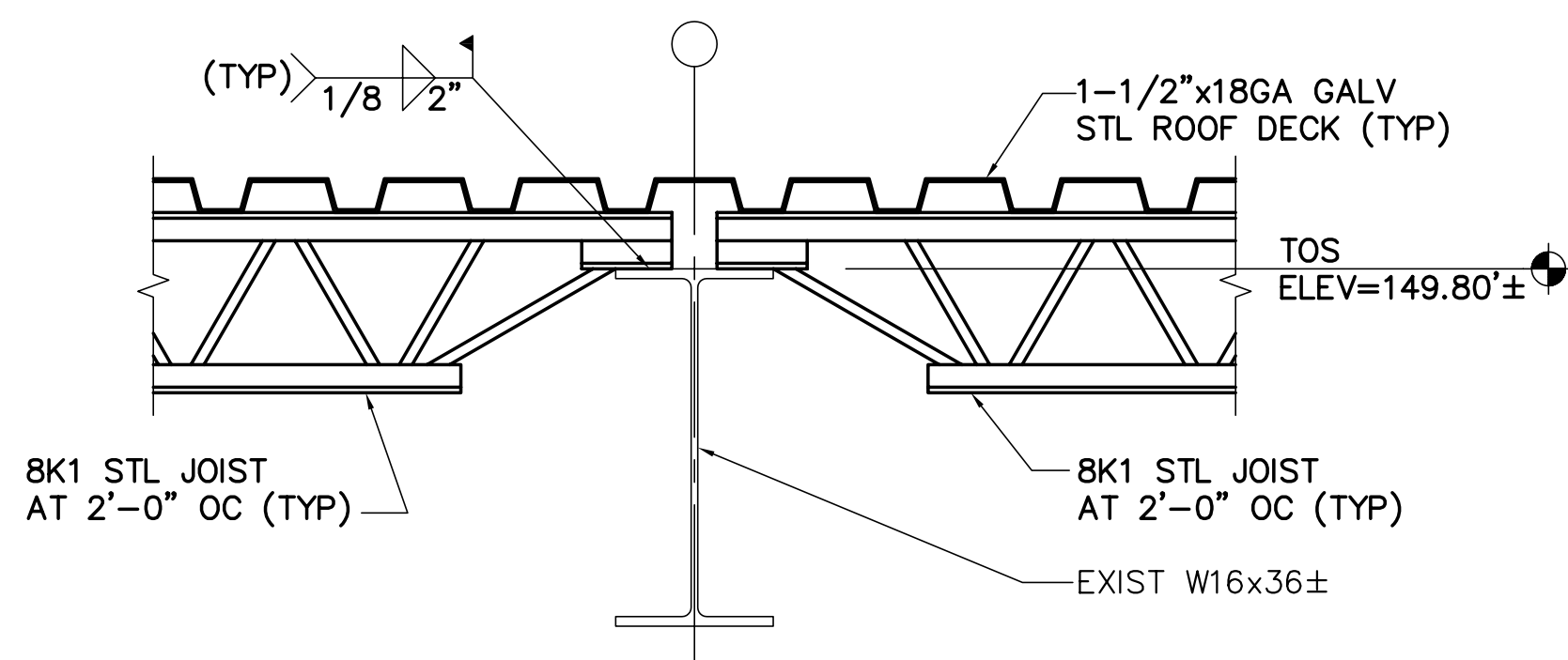
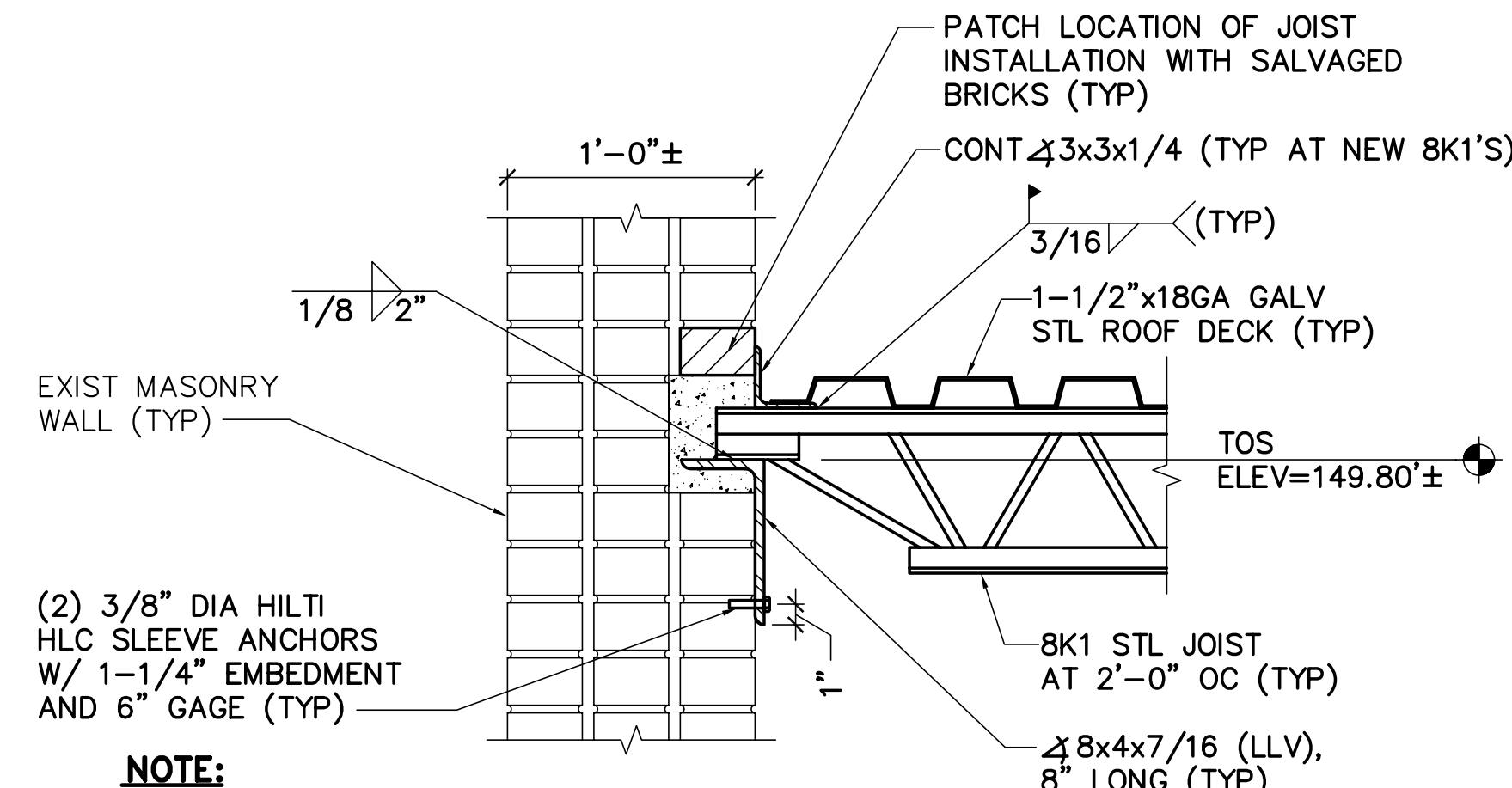


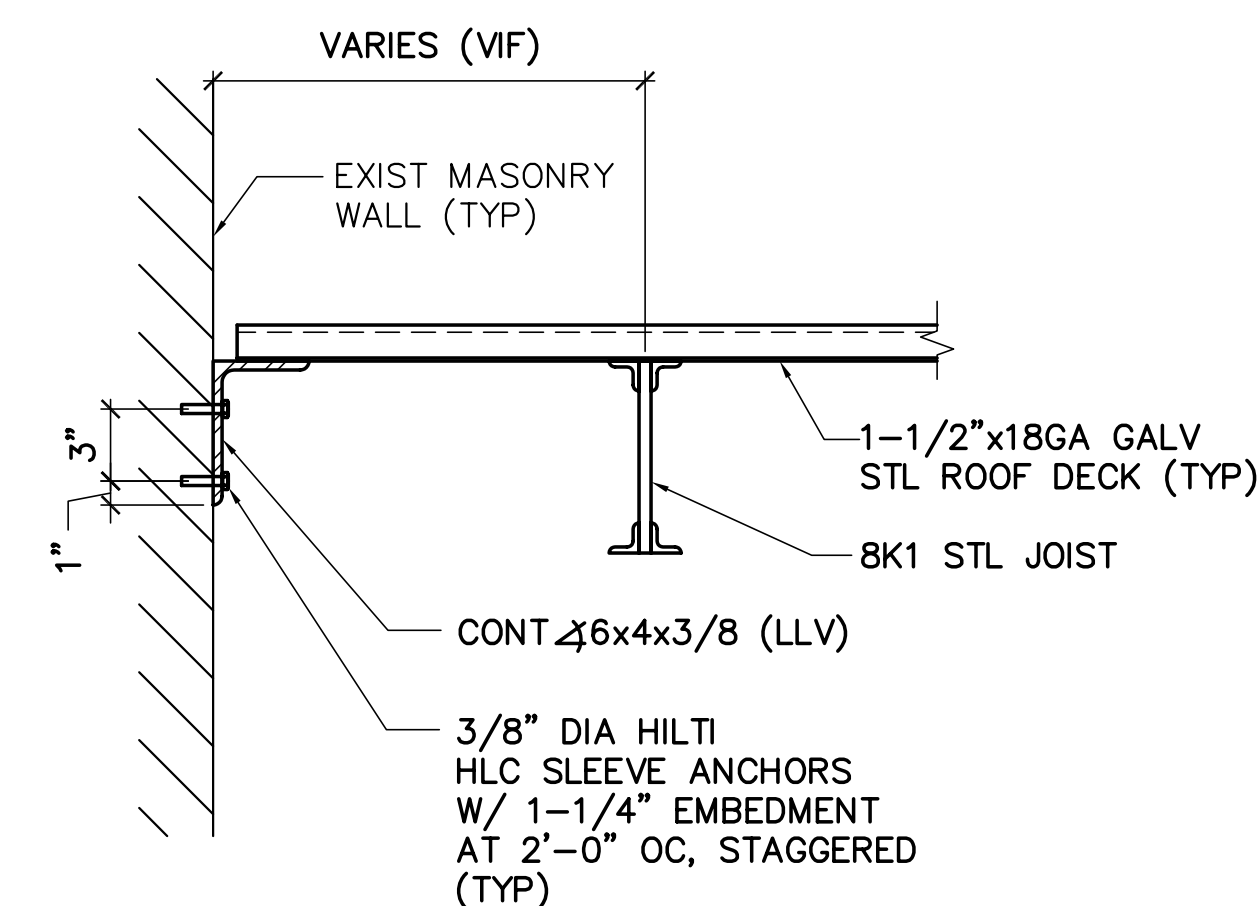
1 EXIST CONC ROOF DECK TO STEEL ROOF DECK TRANSITION DETAIL
SF103/SF502 SCALE: 1-1/2"=1'-0"



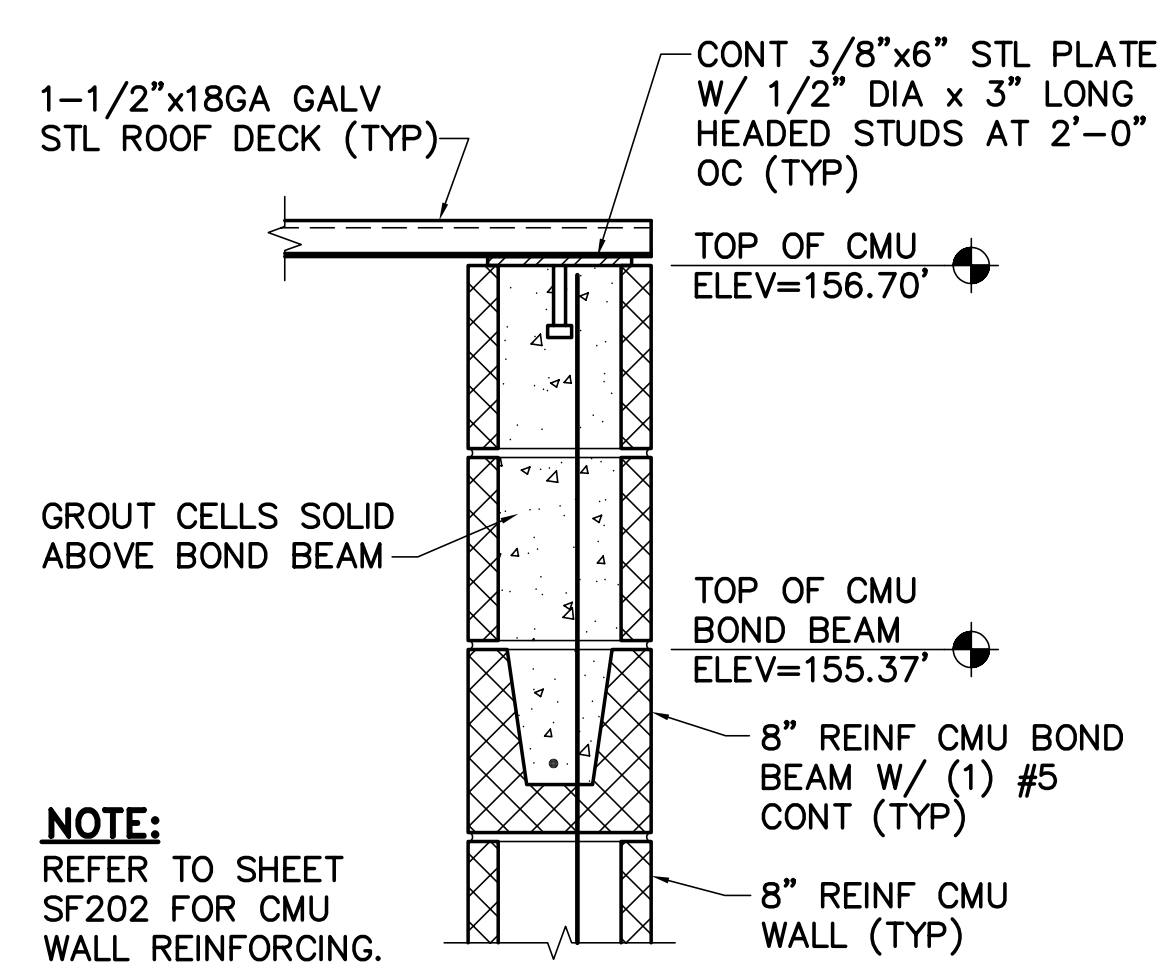
2 TYP 8K1 STL JOIST TO EXIST W16x36± CONN DETAIL
SF103/SF502 SCALE: 1-1/2"=1'-0"



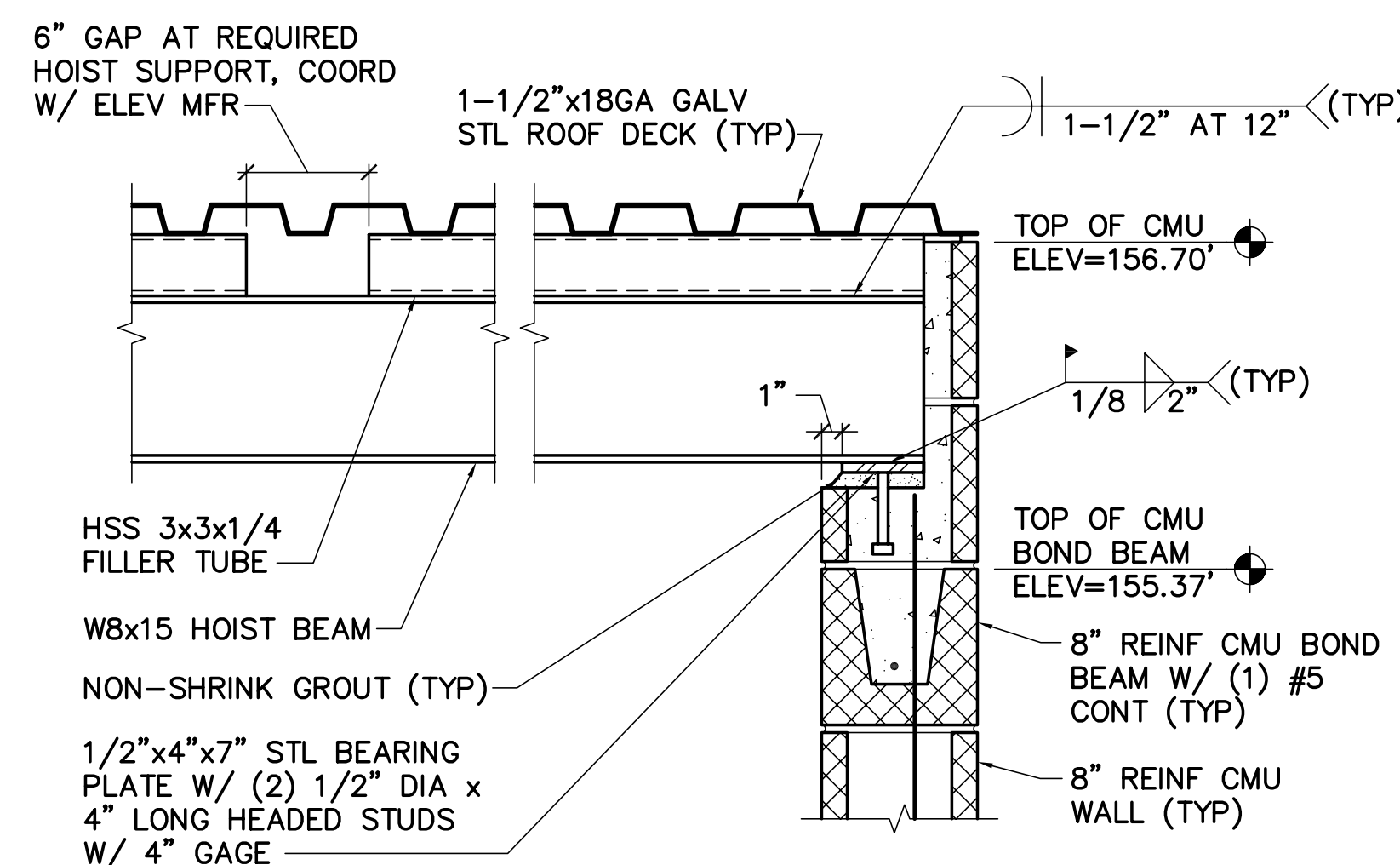
3 TYP 8K1 STL JOIST TO EXIST MASONRY WALL CONN DETAIL
SF103/SF502 SCALE: 1-1/2"=1'-0"



4 TYP ROOF DECK SUPPORT DETAIL
SF103, SF104, SF502 SCALE: 1-1/2"=1'-0"

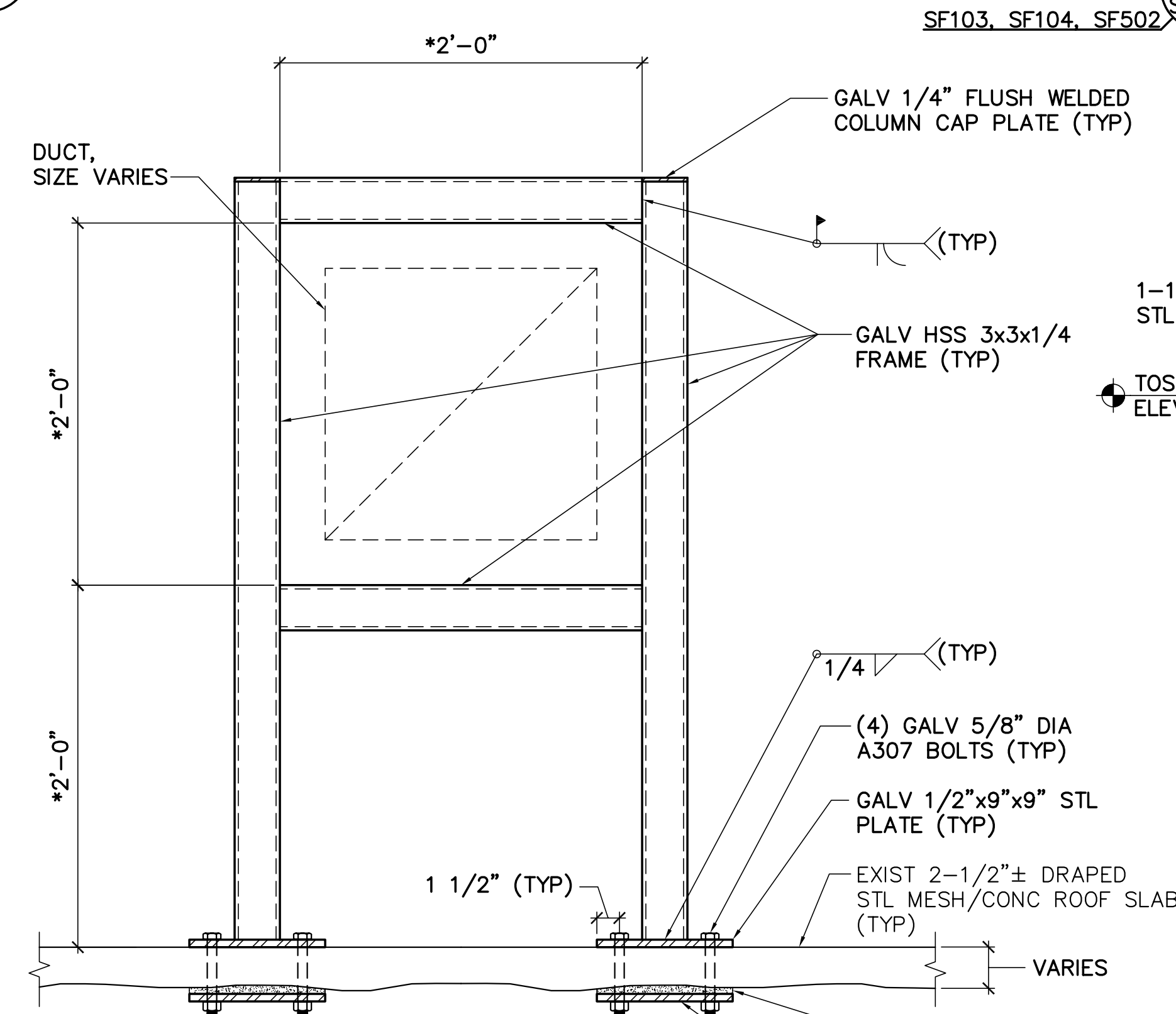


5 TYP 3/8" x 6" EMBEDDED STL PLATE DETAIL
SF104, SF202/SF502 SCALE: 1-1/2"=1'-0"

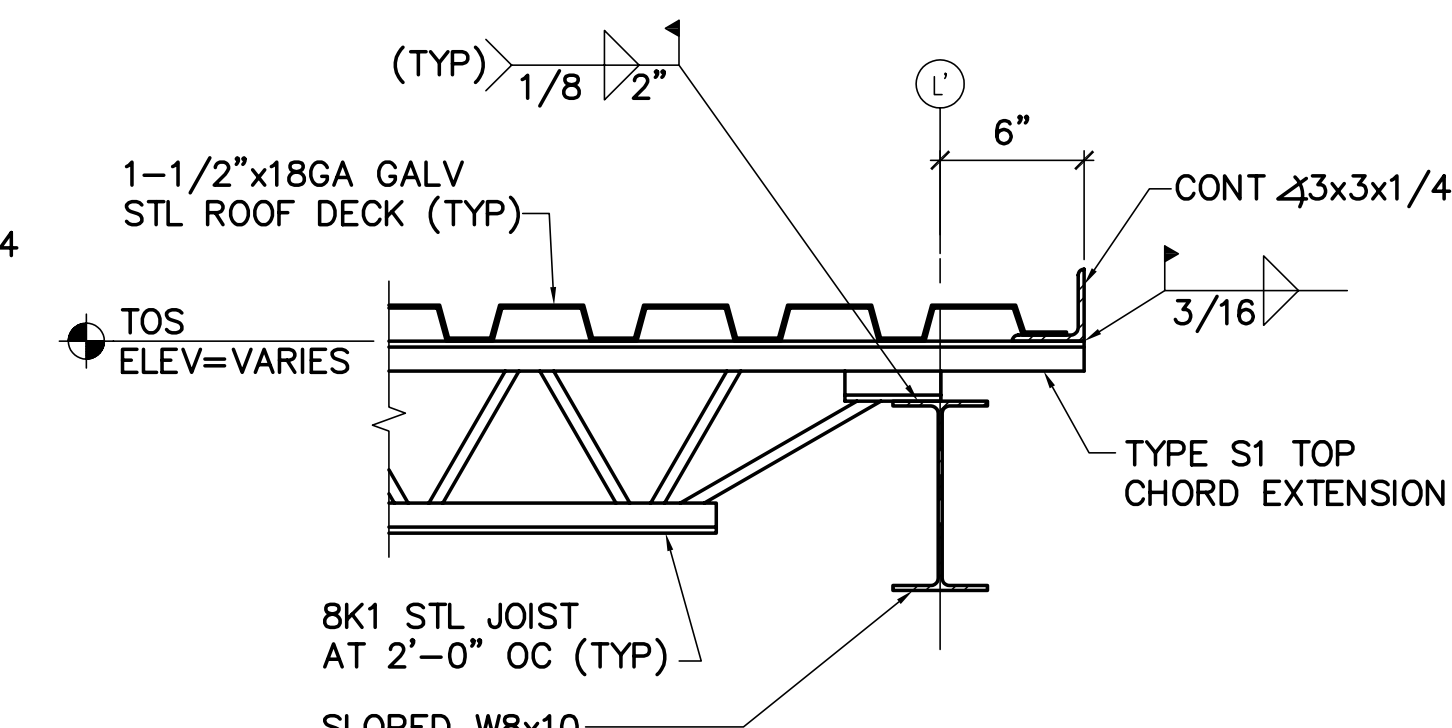


6 TYP ELEVATOR HOIST BEAM BEARING DETAIL
SF104/SF502 SCALE: 1-1/2"=1'-0"

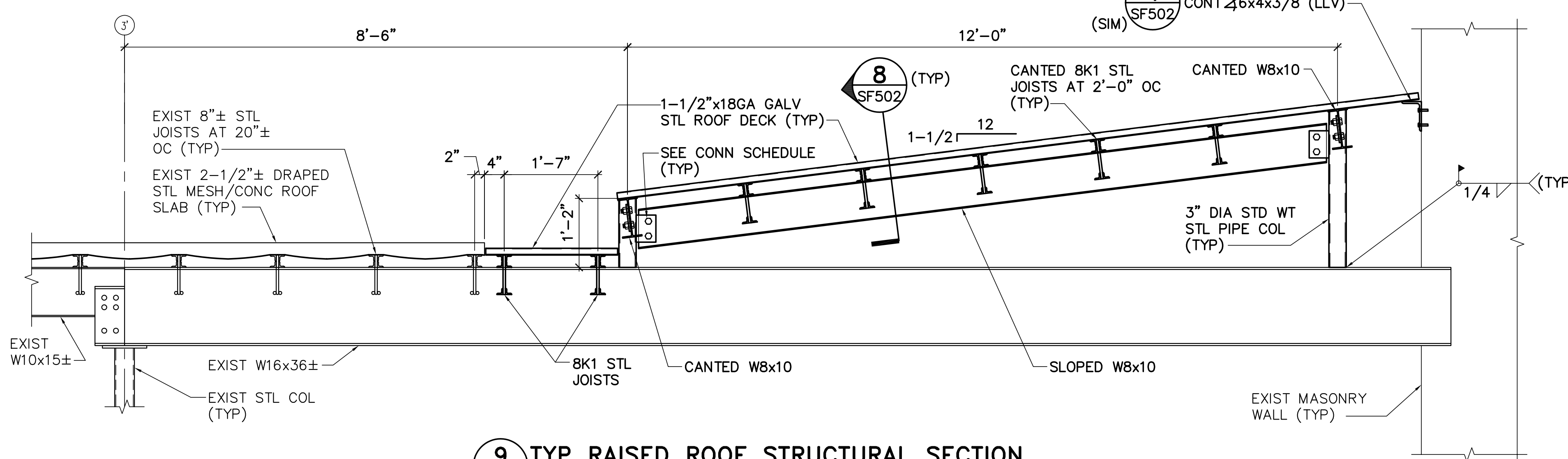
7 DUCT SUPPORT/ANCHOR FRAME
SF103/SF502 SCALE: 1-1/2"=1'-0"



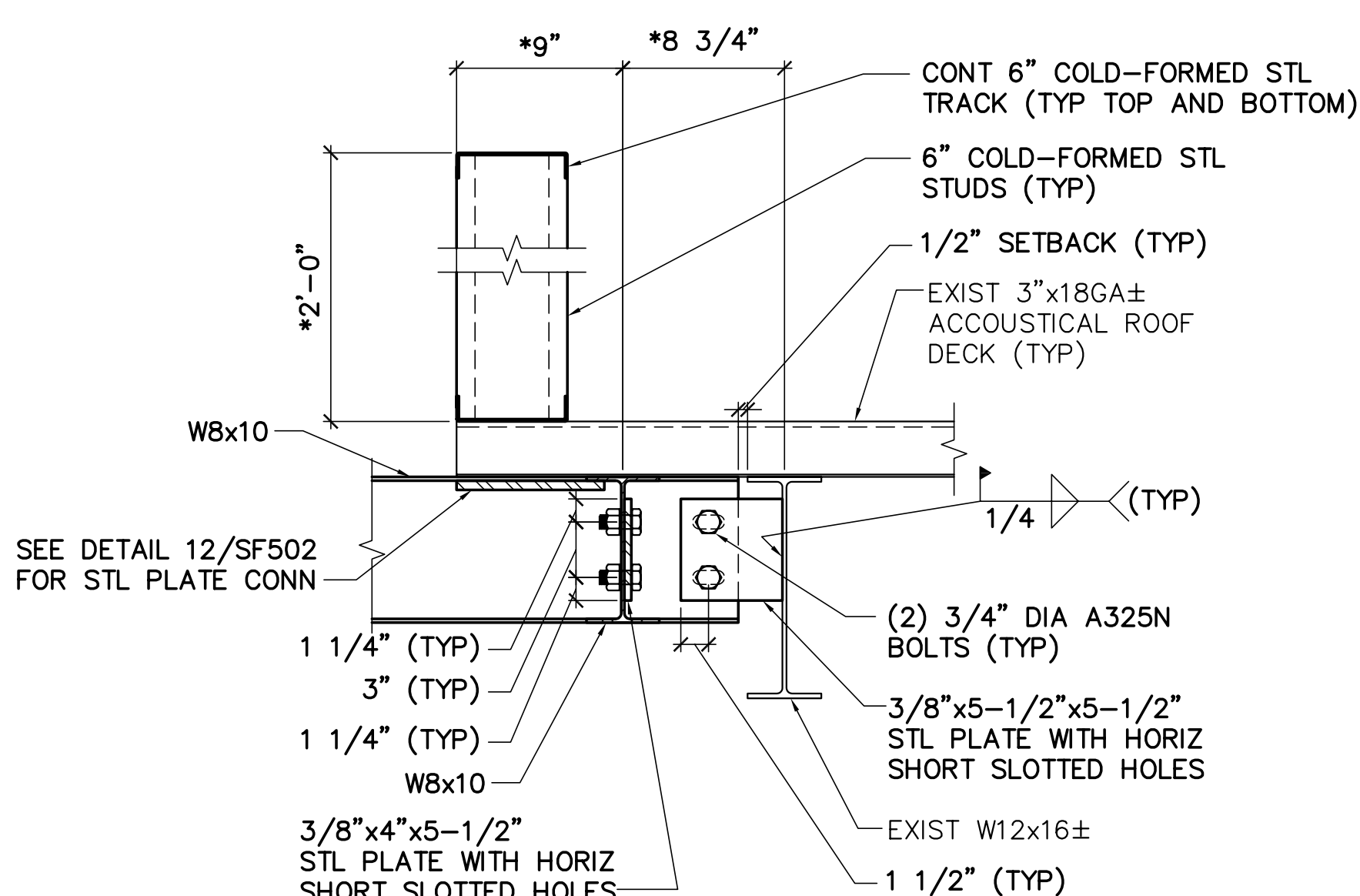
- NOTES:**
- COORDINATE EXACT QUANTITY AND LOCATIONS WITH MECHANICAL PLANS.
 - CONNECT DUCT TO FRAME IN ACCORDANCE WITH MECHANICAL DETAILS.
 - * - COORDINATE EXACT DIMENSIONS WITH MECHANICAL PLANS (DUCT SIZES AND INSULATION THICKNESS).
 - ROOF FRAMING AND ROOF INSULATION/MEMBRANE SYSTEM NOT SHOWN FOR CLARITY.



8 RAISED ROOF 8K1 STL JOIST SUPPORT DETAIL
SF104/SF502 SCALE: 1-1/2"=1'-0"

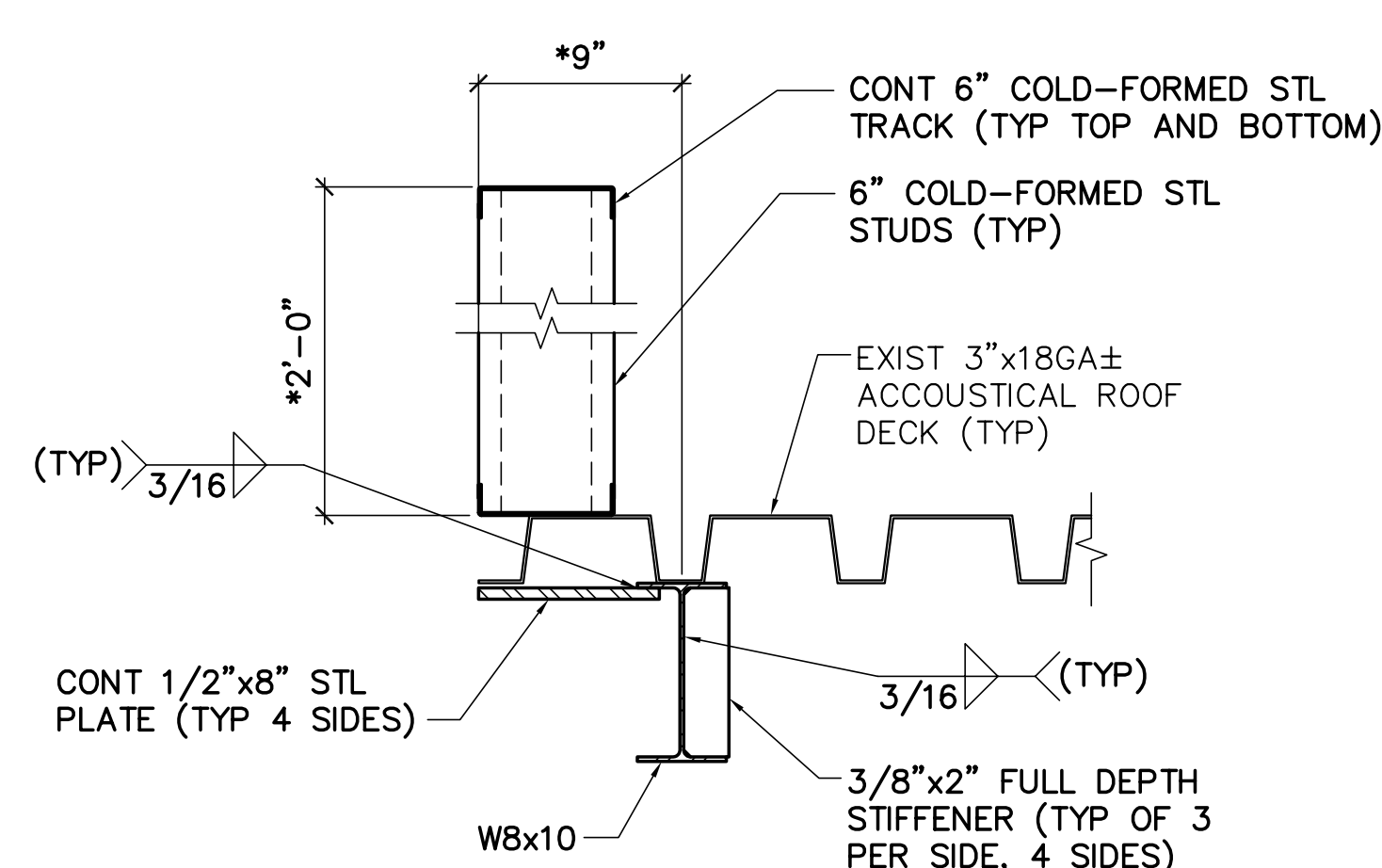


9 TYP RAISED ROOF STRUCTURAL SECTION
SF104/SF502 SCALE: 3/4"=1'-0"



- NOTES:**
- * - COORDINATE WITH ARCHITECTURAL PLANS AND SKYLIGHT MANUFACTURER.
 - COPE W8x10 AS REQUIRED.
 - 3/8" x 2" FULL DEPTH STIFFENER PLATE NOT SHOWN FOR CLARITY. SEE DETAIL 12/SF502.

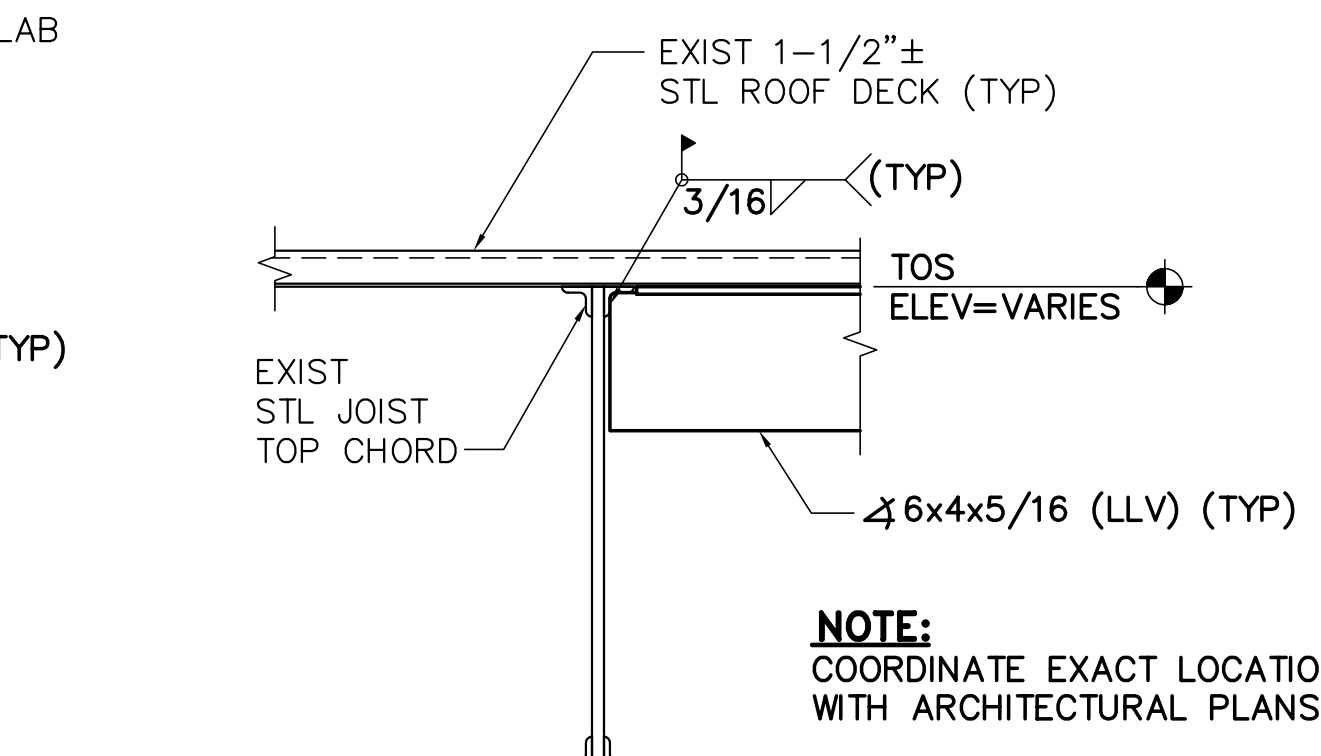
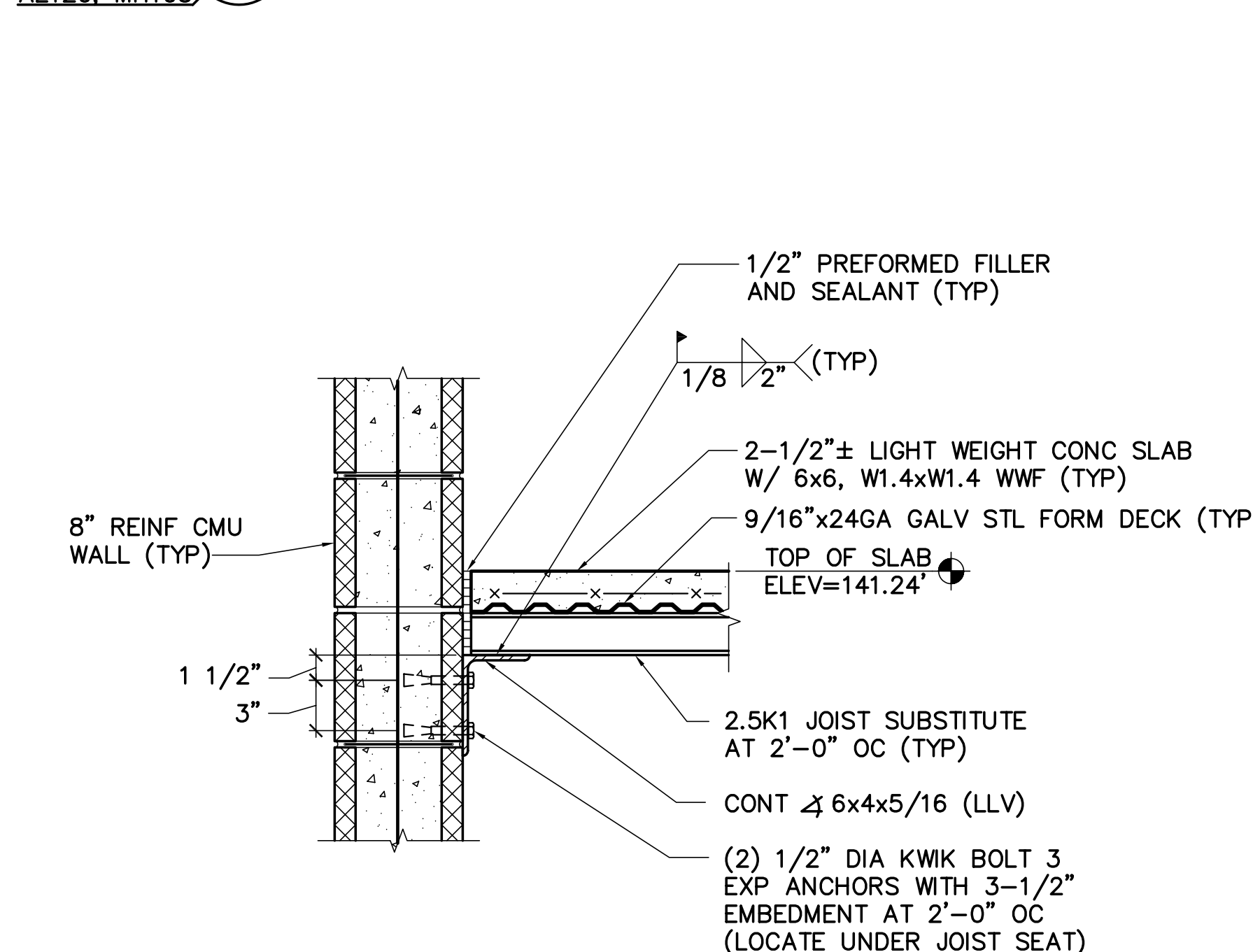
11 TYP SKYLIGHT HEADER CONN DETAIL
SF103, AE520/SF502 SCALE: 1-1/2"=1'-0"



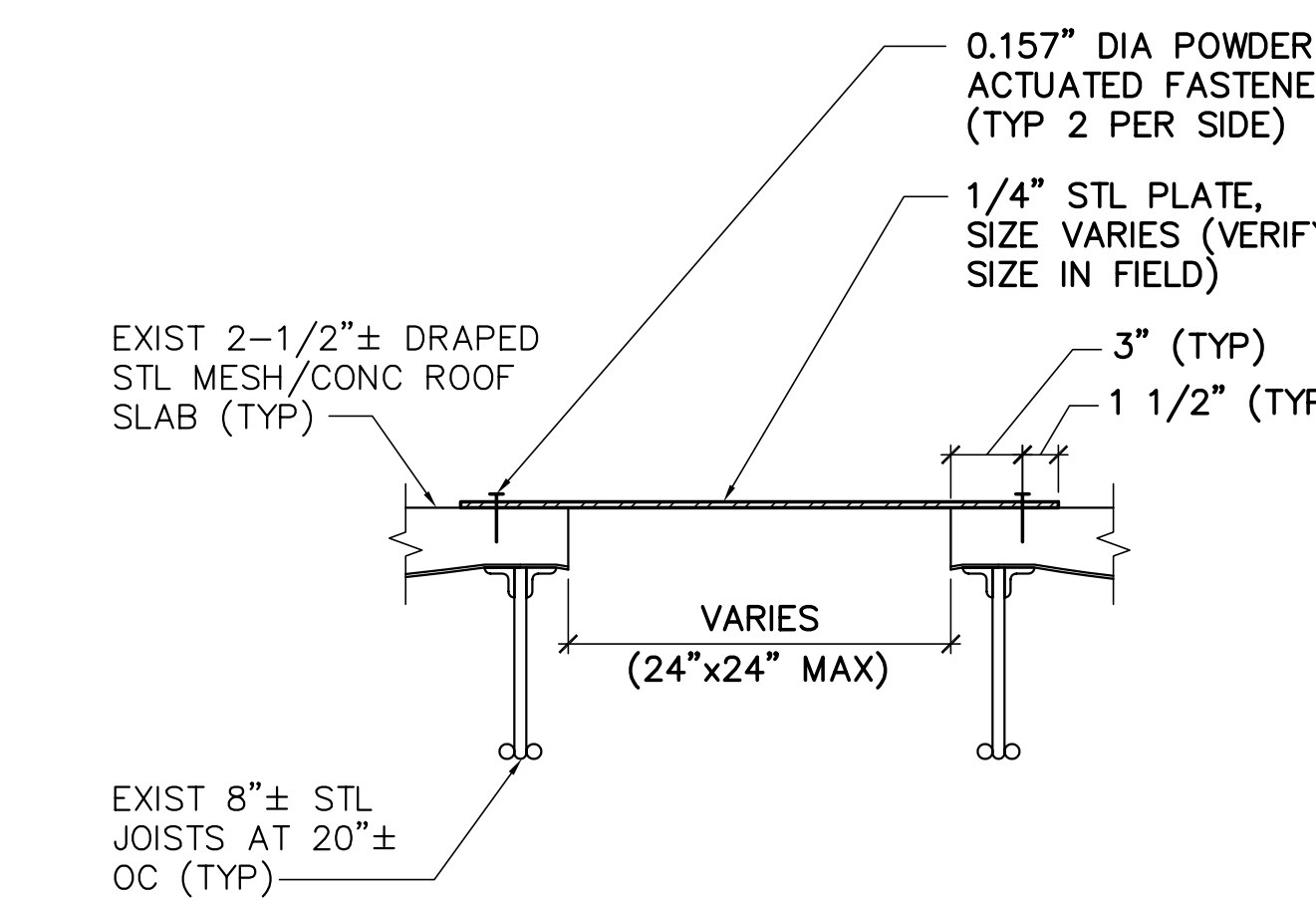
- NOTES:**
- * - COORDINATE WITH ARCHITECTURAL PLANS AND SKYLIGHT MANUFACTURER.
 - FASTEN EXISTING STEEL DECK TO W8x10.

12 TYP SKYLIGHT HEADER DETAIL
SF103, SF502/SF502 SCALE: 1-1/2"=1'-0"

13 TYP 2.5 K1 JOIST SUBSTITIE SUPPORT DETAIL
SF102, SF402/SF502 SCALE: 1-1/2"=1'-0"



10 TYP 6x4x5/16 TO EXIST STL JOIST CONN DETAIL
SF103/SF502 SCALE: 1-1/2"=1'-0"



14 EXIST ROOF OPENING SLAB PATCH DETAIL
SF103, MD104/SF502 SCALE: 1-1/2"=1'-0"

