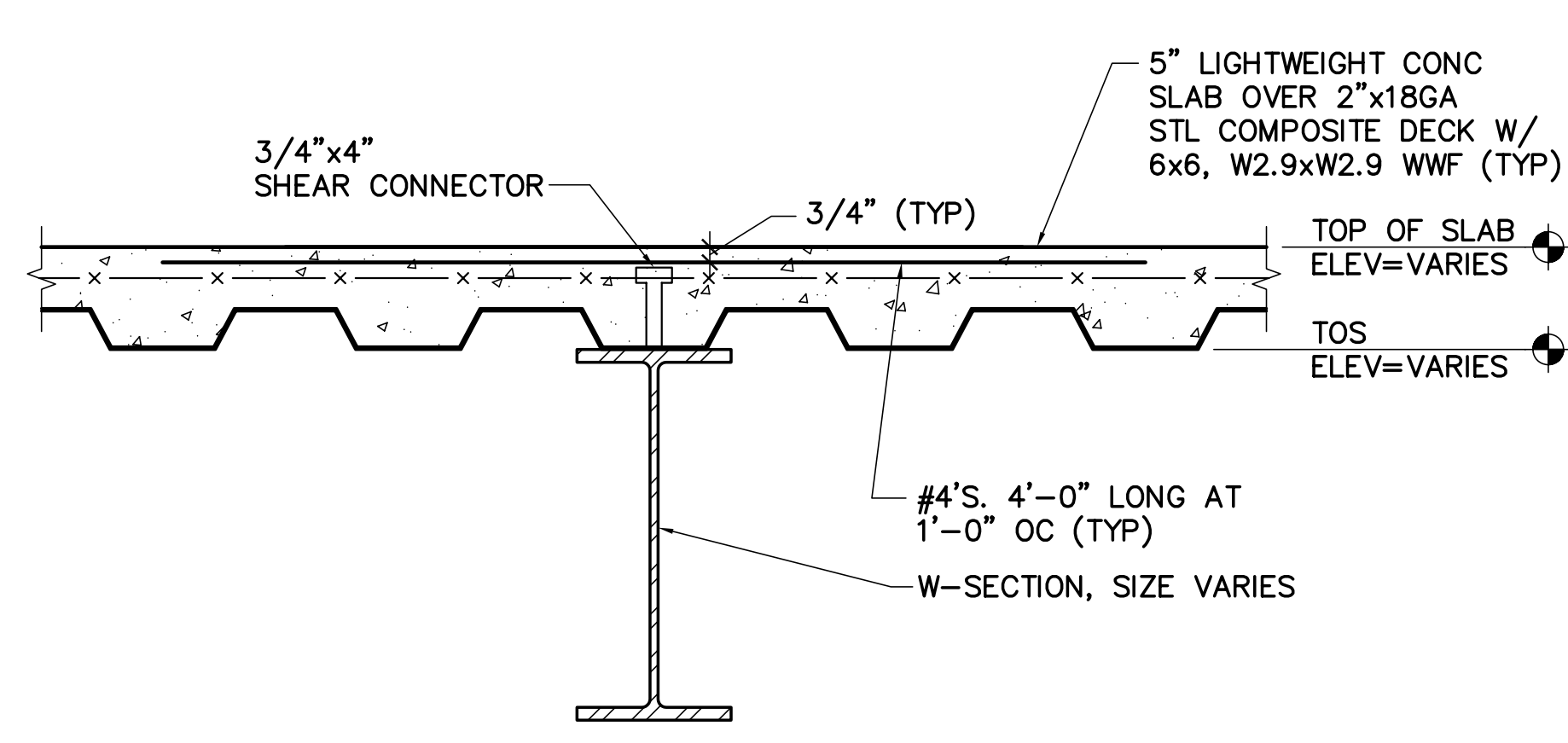


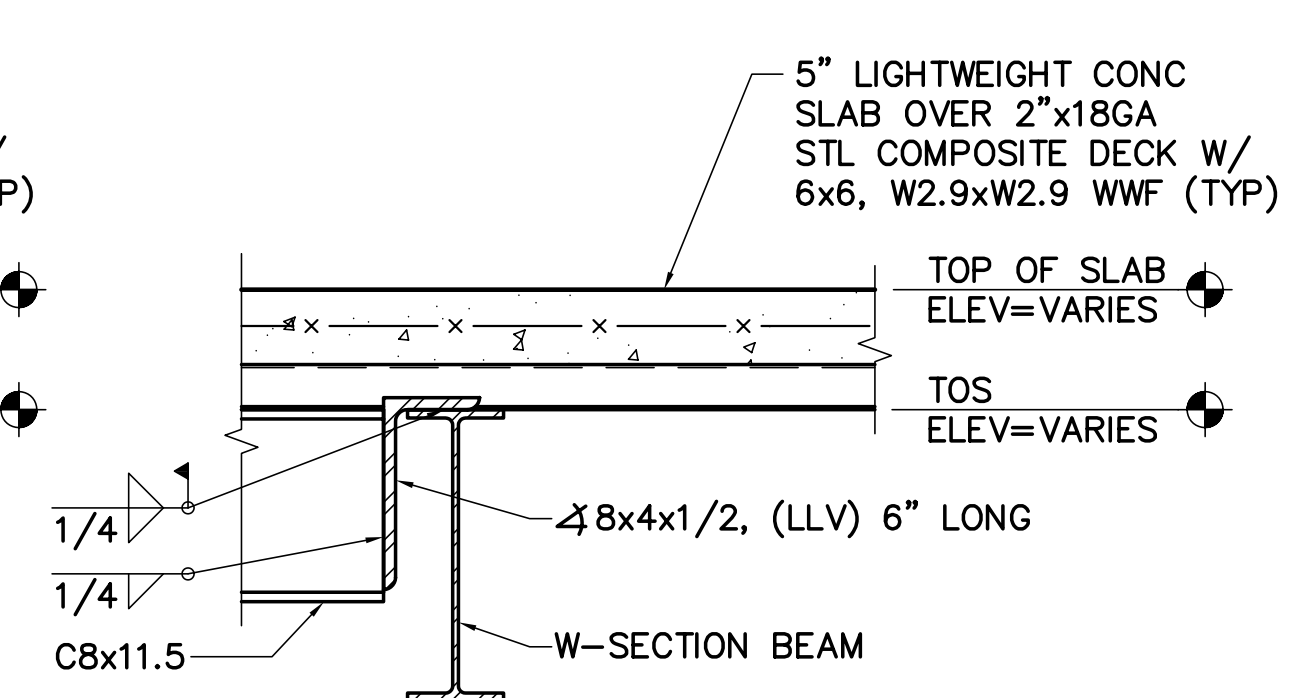
- NOTES:**
- COORDINATE EXACT SIZE AND LOCATION WITH MECHANICAL AND PLUMBING PLANS.
 - INSTALL EQUIPMENT PER MANUFACTURER'S PRINTED INSTRUCTIONS.
 - PROVIDE SIMILAR DETAIL AT EXISTING FLOOR SLAB.

1 TYP CONC EQUIPMENT PAD AT ELEVATED SLAB DETAIL
SF501 SCALE: 1-1/2"=1'-0"

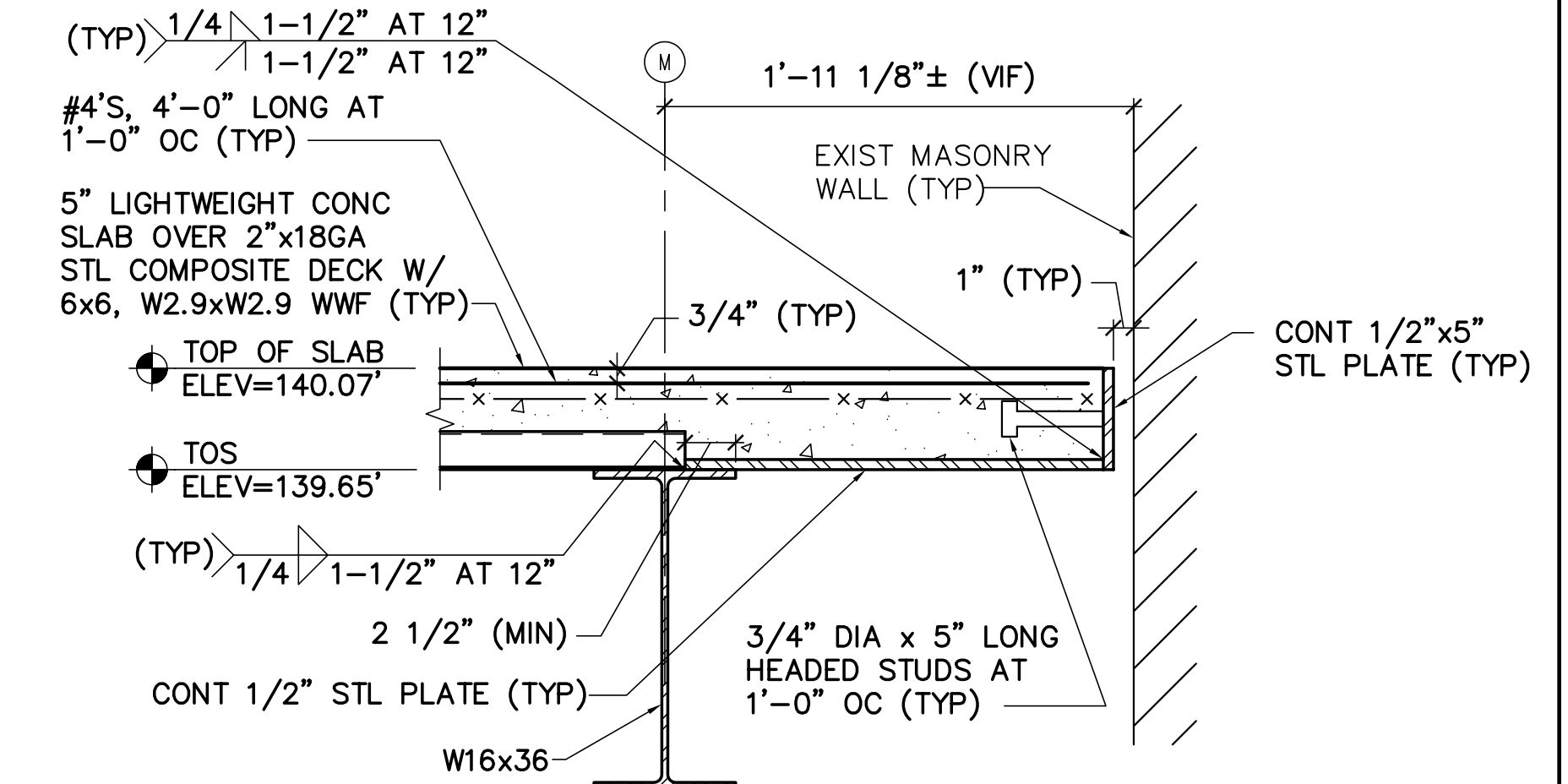
P-102, P-501, M-401, M-502



2 TYP COMPOSITE SLAB REINF DETAIL AT W-SECTION GIRDER
SF102 SF501 SCALE: 1-1/2"=1'-0"

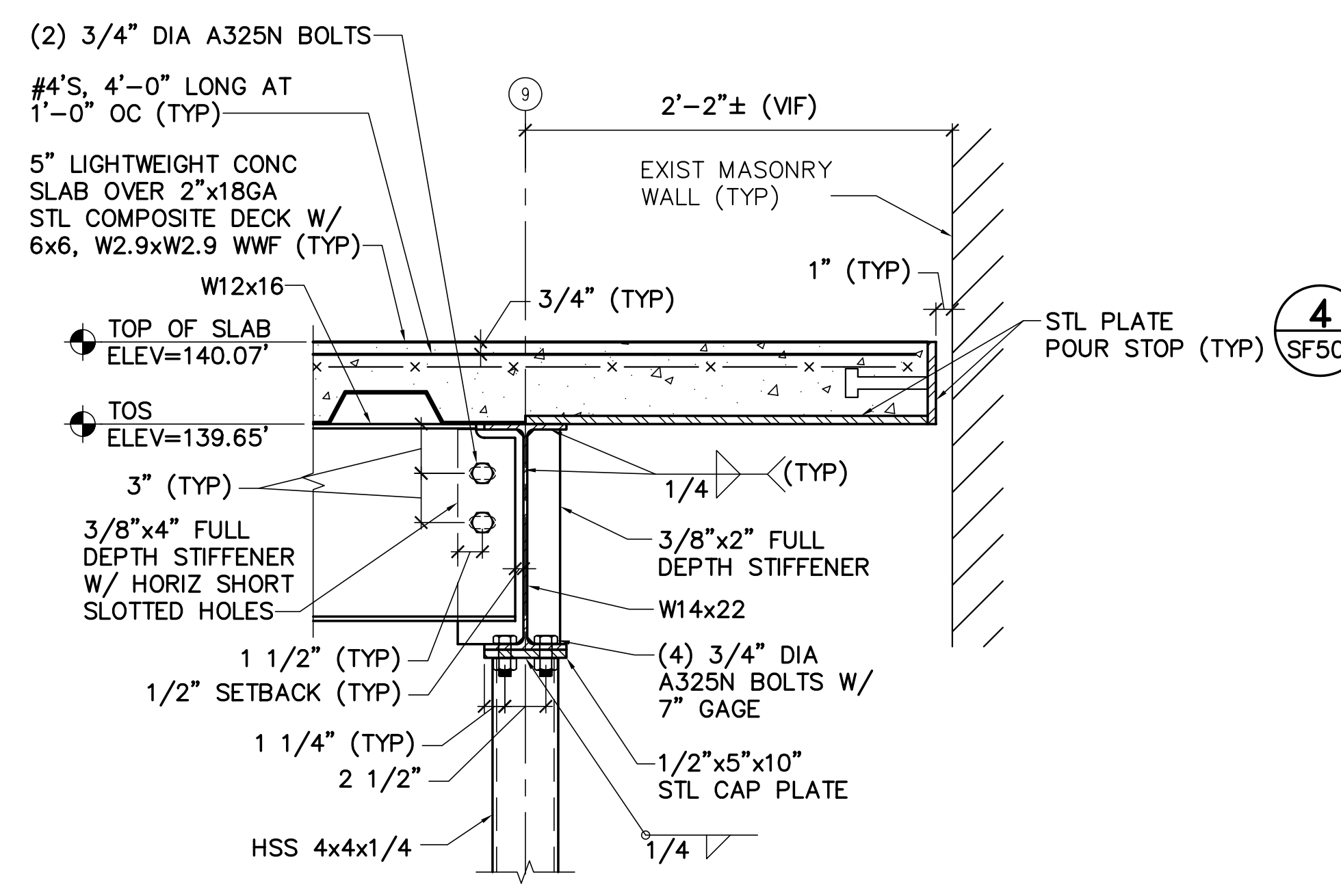


3 TYP C8x11.5 AT HEADER CONN DETAIL
SF102 SF501 SCALE: 1-1/2"=1'-0"



4 TYP FLOOR SLAB EDGE DETAIL AT GRID LINE M
SF102, SF501 SCALE: 1-1/2"=1'-0"

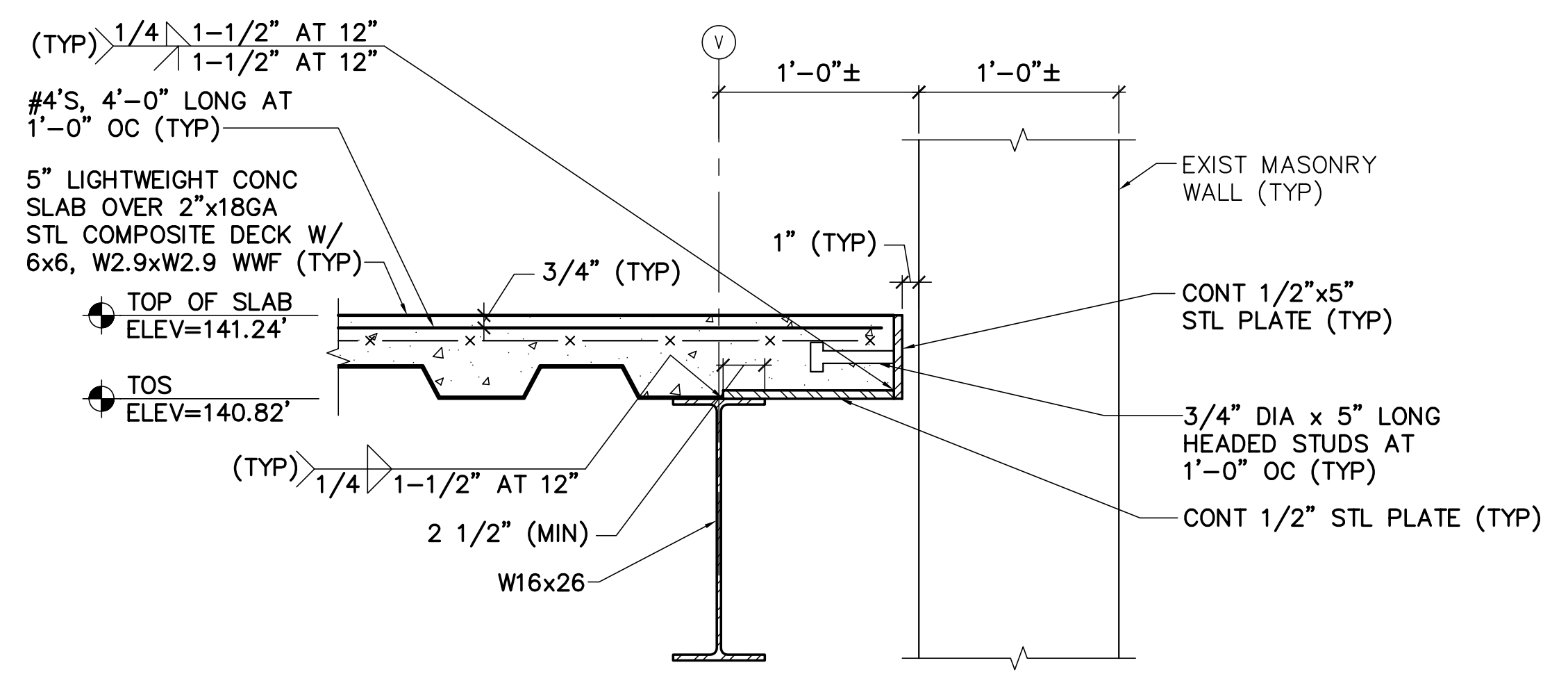
NOTE: REFER TO FRAMING PLAN FOR EDGE OF SLAB DIMENSION.



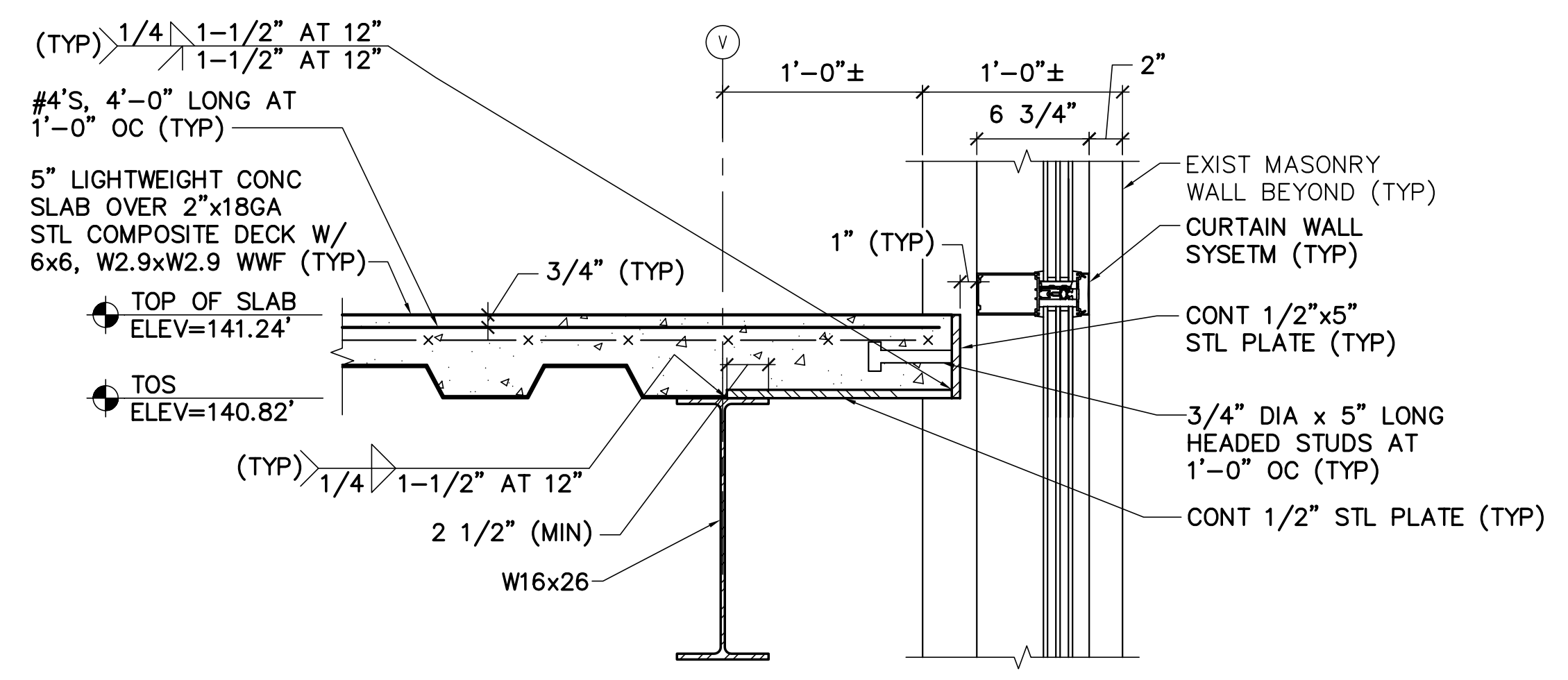
NOTE: COPE W12x16 AS REQUIRED

5 W14x22 TO HSS 4x4x1/4 CONN DETAIL
SF501 SCALE: 1-1/2"=1'-0"

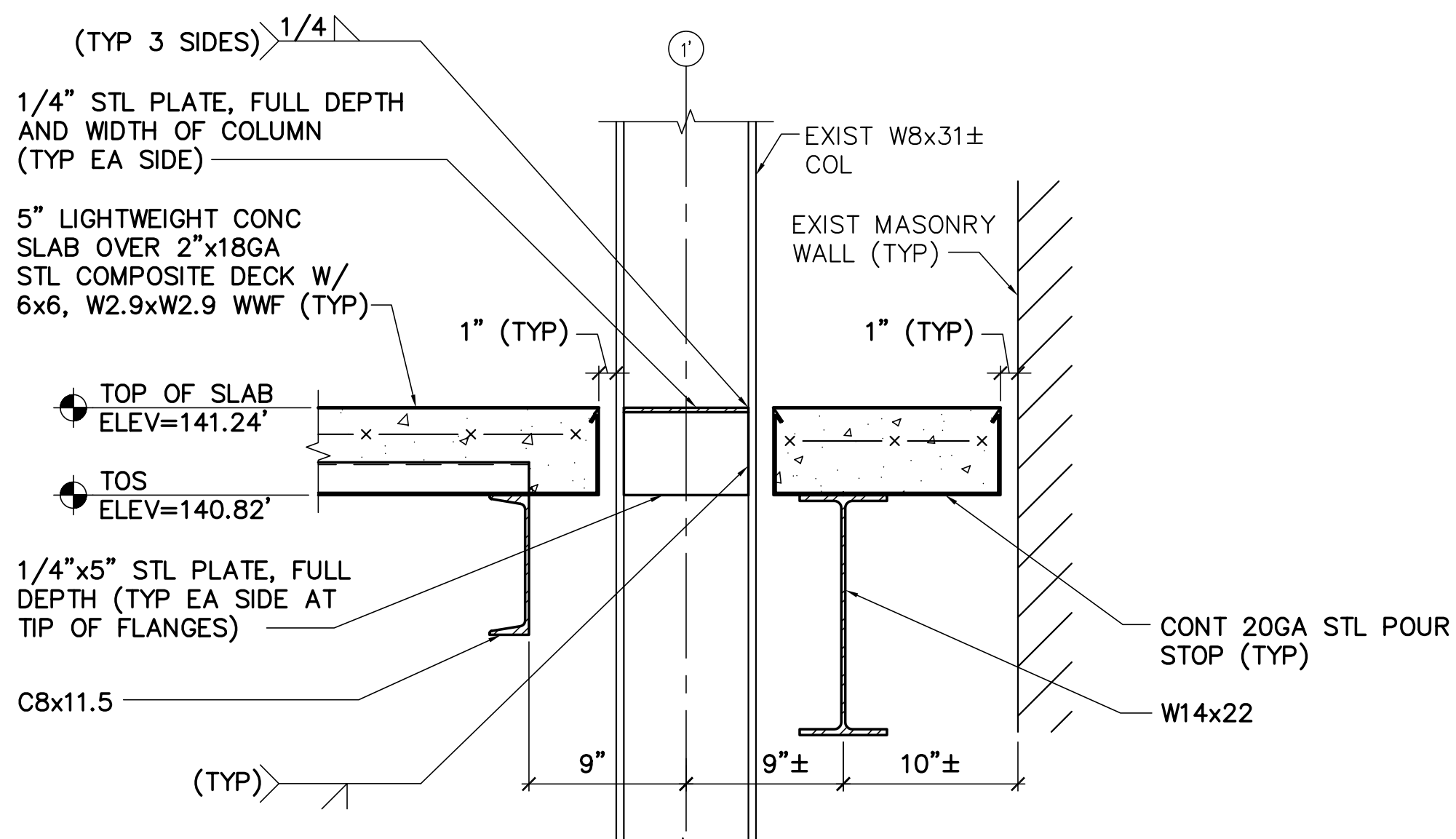
SF102



6 TYP FLOOR SLAB EDGE DETAIL AT GRID LINE V
SF102 SF501 SCALE: 1-1/2"=1'-0"



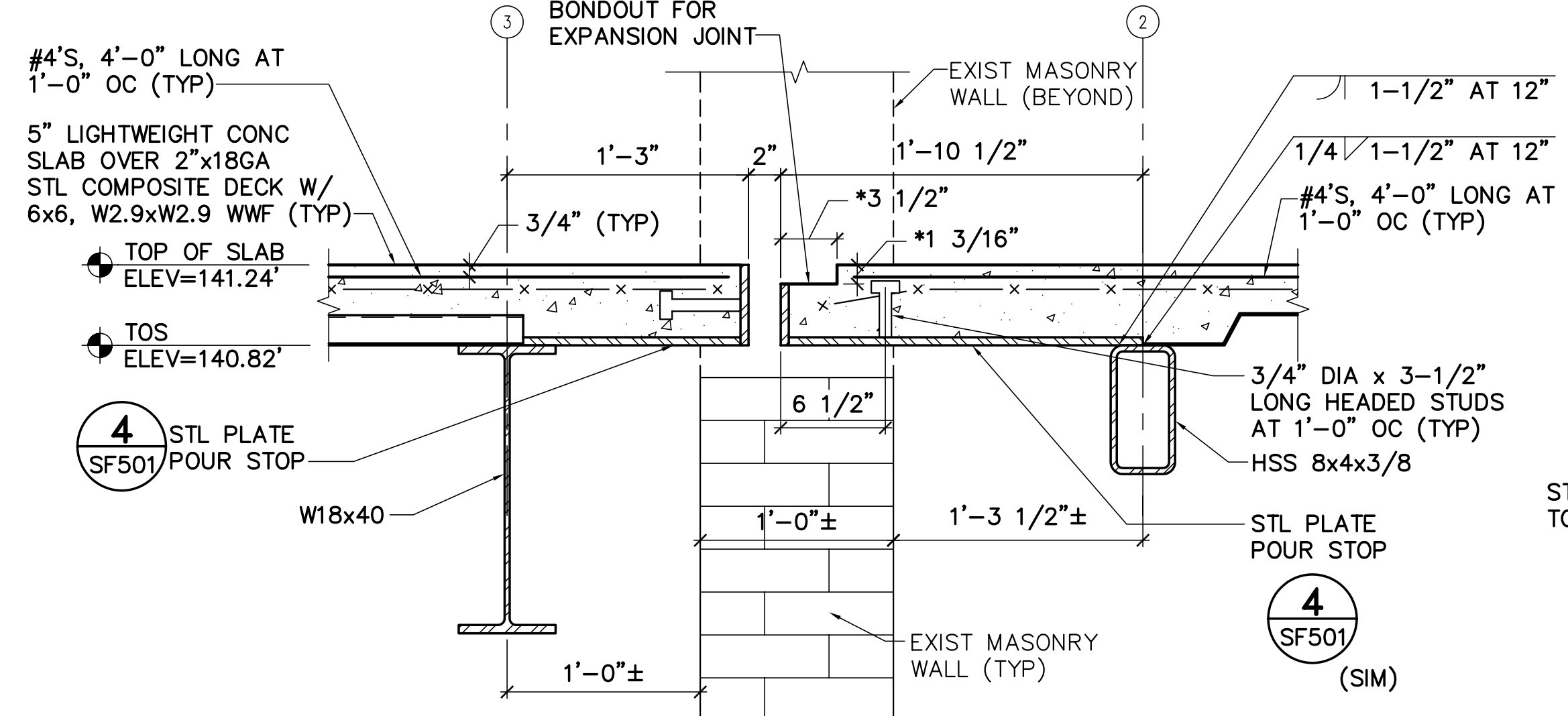
7 TYP FLOOR SLAB EDGE DETAIL AT GRID LINE V AT WINDOW
SF102 SF501 SCALE: 1-1/2"=1'-0"



NOTE: COORDINATE 1" JOINT FILLER WITH ARCHITECTURAL DRAWINGS.

8 SLAB DETAIL AT EXIST W8x31± COL
SF501 SCALE: 1-1/2"=1'-0"

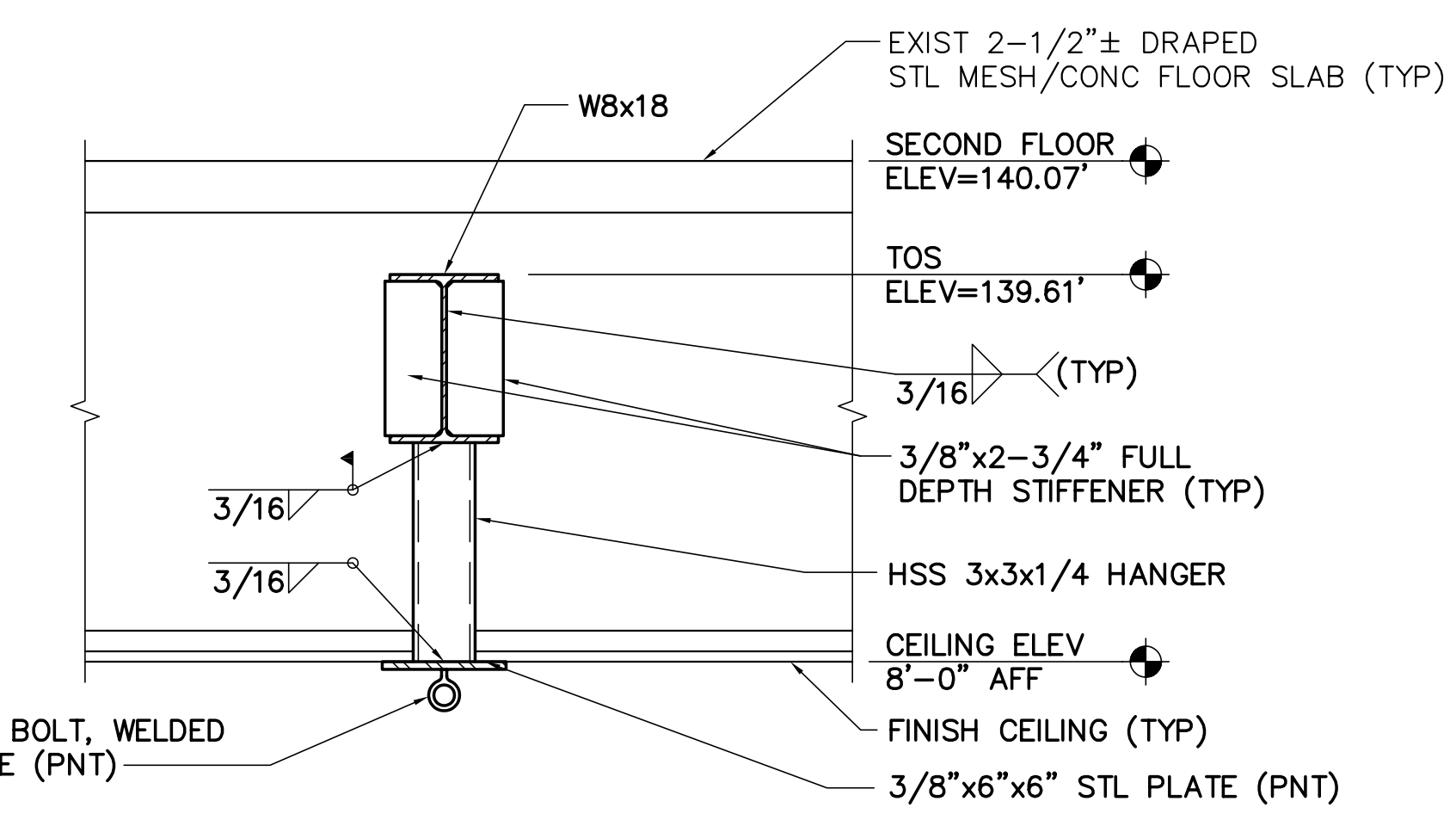
SF102



- NOTES:**
- COORDINATE 2" JOINT FILLER AND EXPANSION JOINT WITH ARCHITECTURAL DRAWINGS.
 - * - COORDINATE WITH THE EXPANSION JOINT MANUFACTURER.

9 MEZZANINE/STAIR S01 SLAB EDGE DETAIL
SF102, SF401 SF501 SCALE: 1-1/2"=1'-0"

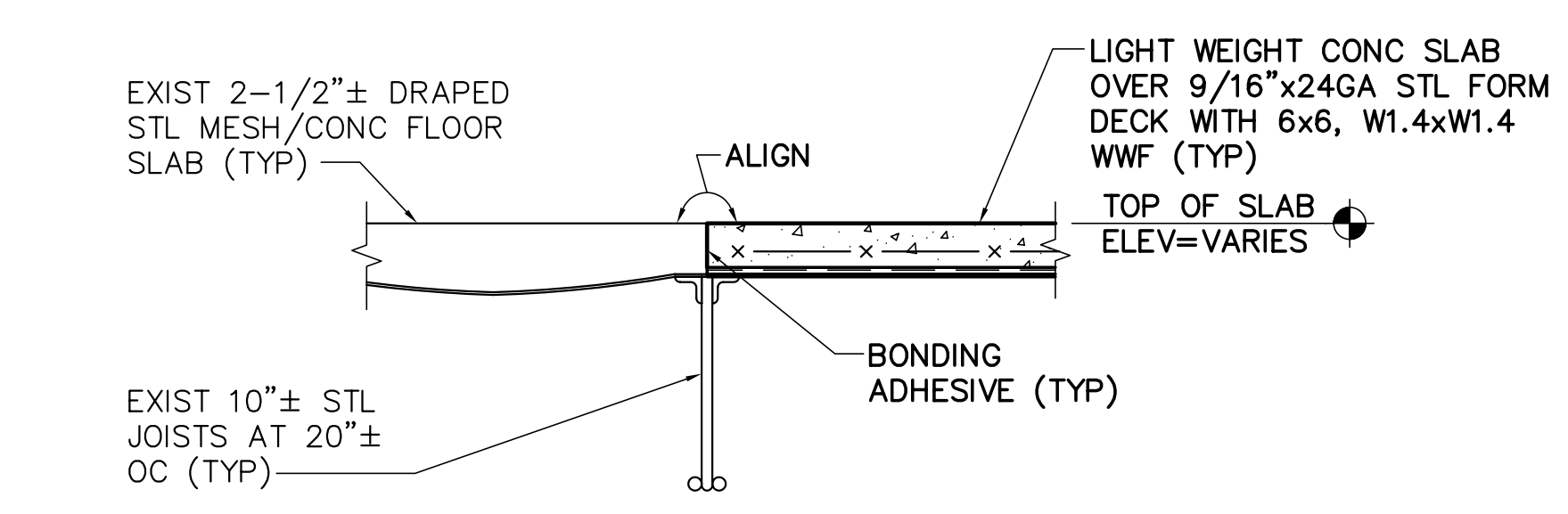
SF102, SF401



- NOTES:**
- COORDINATE LENGTH OF HANGER WITH ARCHITECTURAL PLANS AND CEILING HEIGHT. STEEL PLATE TO BE FLUSH WITH CEILING.
 - SEE DETAIL 3/SF402 FOR EXTENDED SHEAR PLATE CONNECTION OF W8x18 TO SUPPORTING EXISTING BEAM/COLUMN.

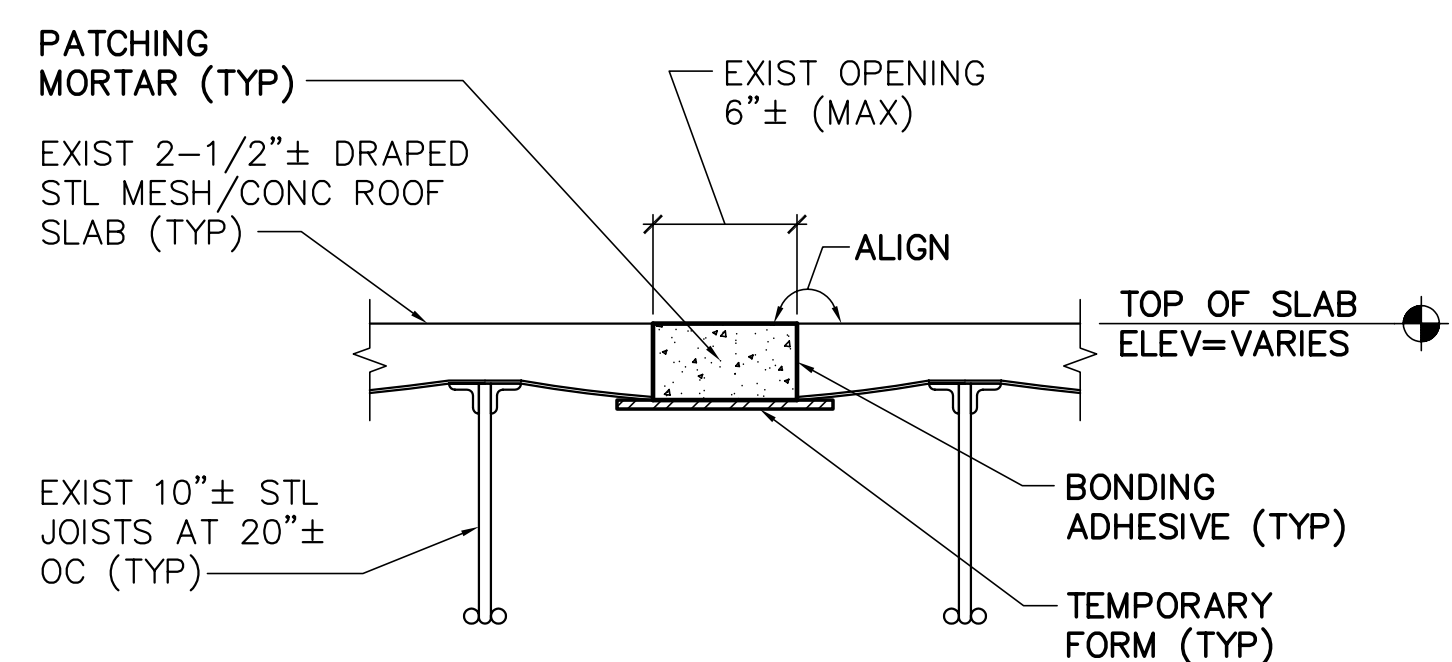
10 SWING HANGER CONN DETAIL
SF501 SCALE: 1-1/2"=1'-0"

SF102, AE101, AE701



11 TYP FLOOR SLAB OPENING INFILL DETAIL
SF501 SCALE: 1-1/2"=1'-0"

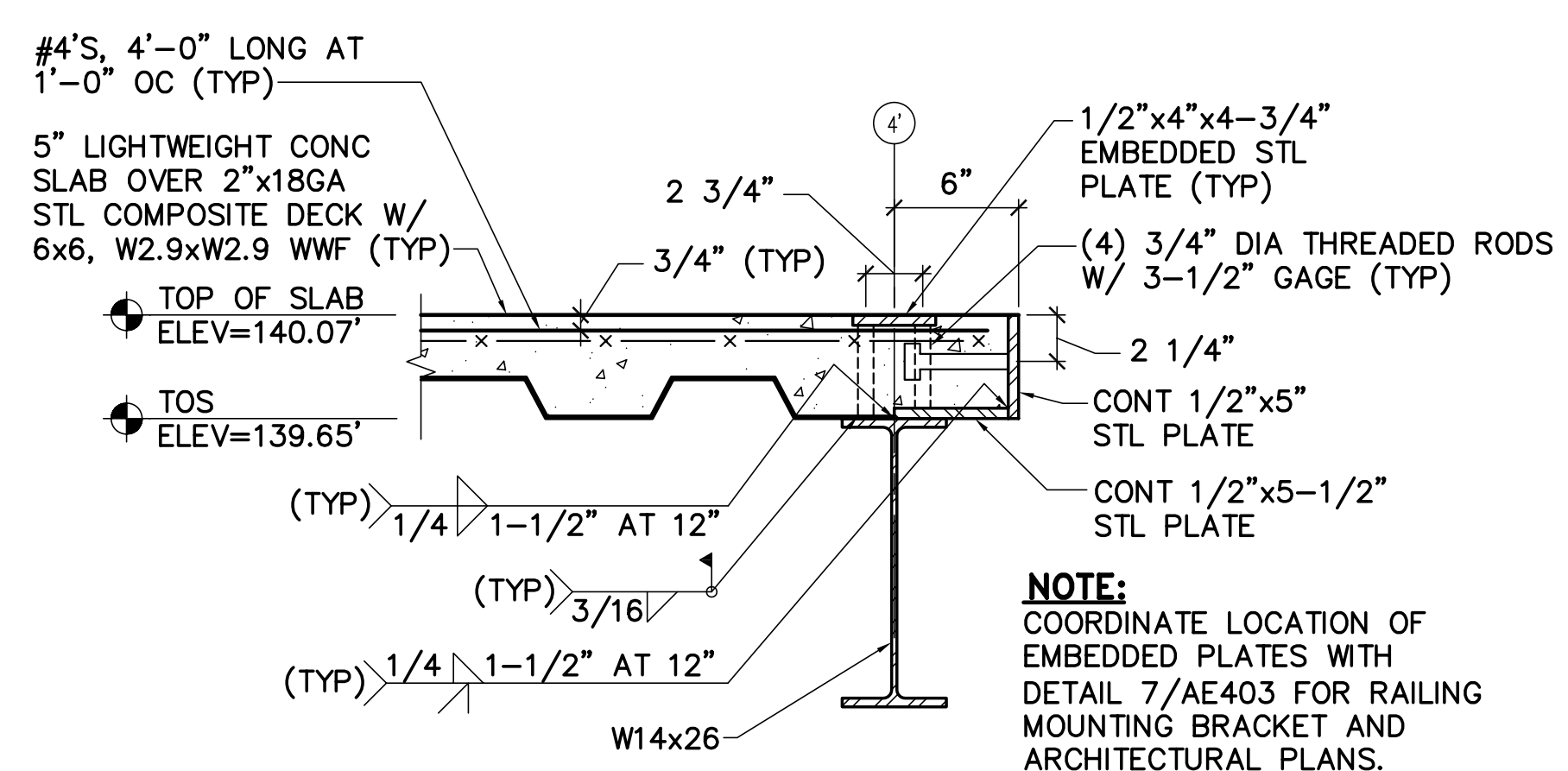
SF101, MD103



NOTE: COORDINATE QUANTITY AND LOCATIONS OF SLAB PATCHES WITH PLUMBING REMOVALS SHEETS PD102 AND PD103.

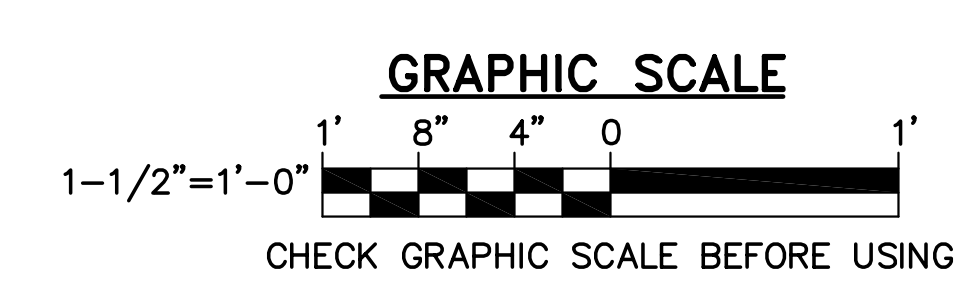
12 TYP SLAB PATCH AT EXIST PIPE PENETRATION
SF501 SCALE: 1-1/2"=1'-0"

PD102, PD103, MD102, MD103



13 SLAB EDGE DETAIL AT COLUMN LINE 4
SF102 SF501 SCALE: 1-1/2"=1'-0"

SF102



CHECK GRAPHIC SCALE BEFORE USING