

DESIGNED BY: JEG  
 DRAWN BY: MJC  
 CHECKED BY: DNM  
 PROJECT: 21602.10

UNIVERSITY OF NEW ENGLAND  
 PORTLAND CAMPUS  
 STEVEN AVENUE ARMORY  
 716 STEVENS AVE  
 PORTLAND, MAINE 04103  
 (207) 263-0171

RENOVATIONS TO THE  
 STEVENS AVENUE ARMORY

ENLARGED  
 CANOPY  
 FRAMING  
 PLANS AND  
 DETAILS

SCALE: AS NOTED  
 DATE: 05-24-16

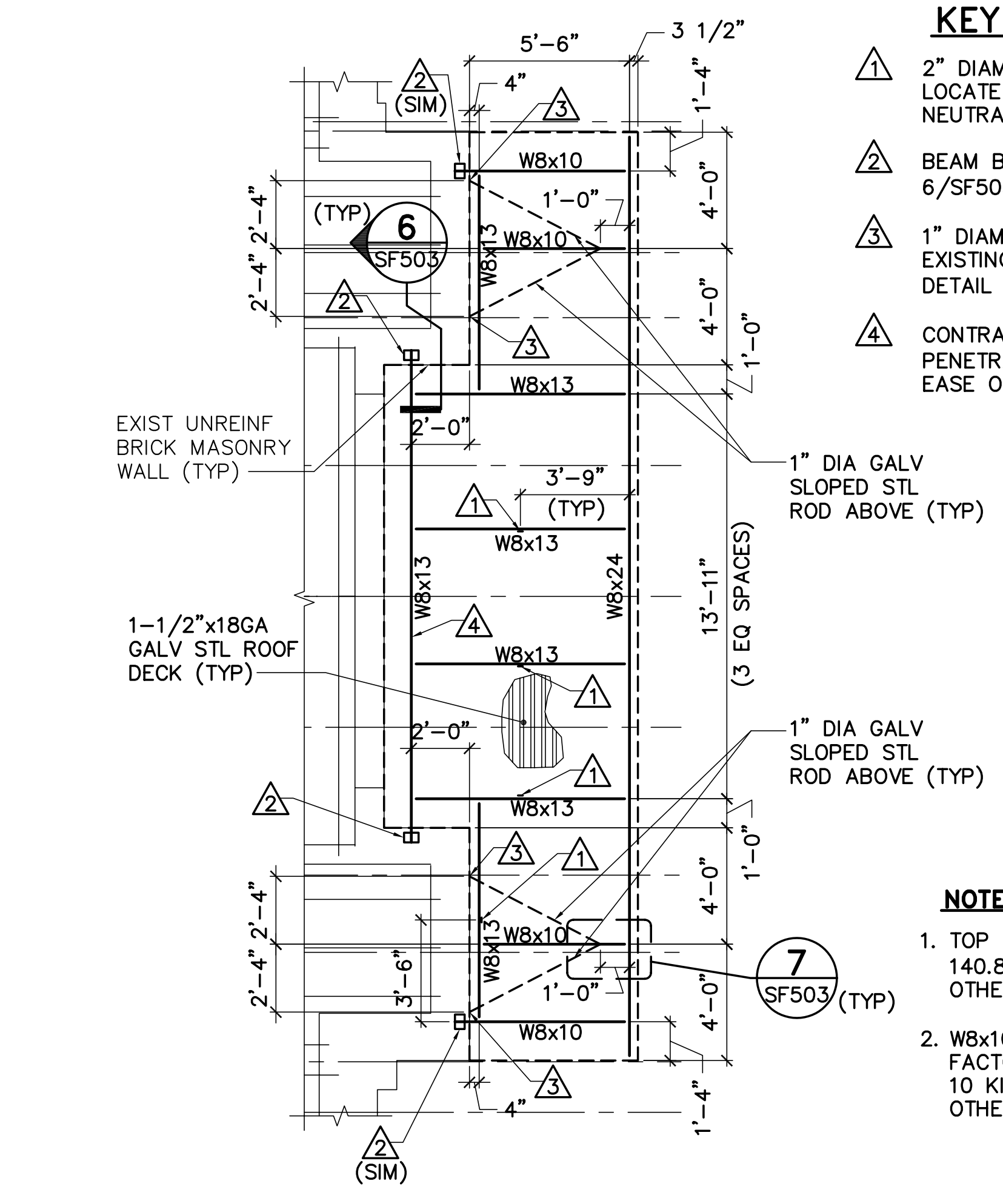
DWG. SF404

SHEET: 38 OF 169

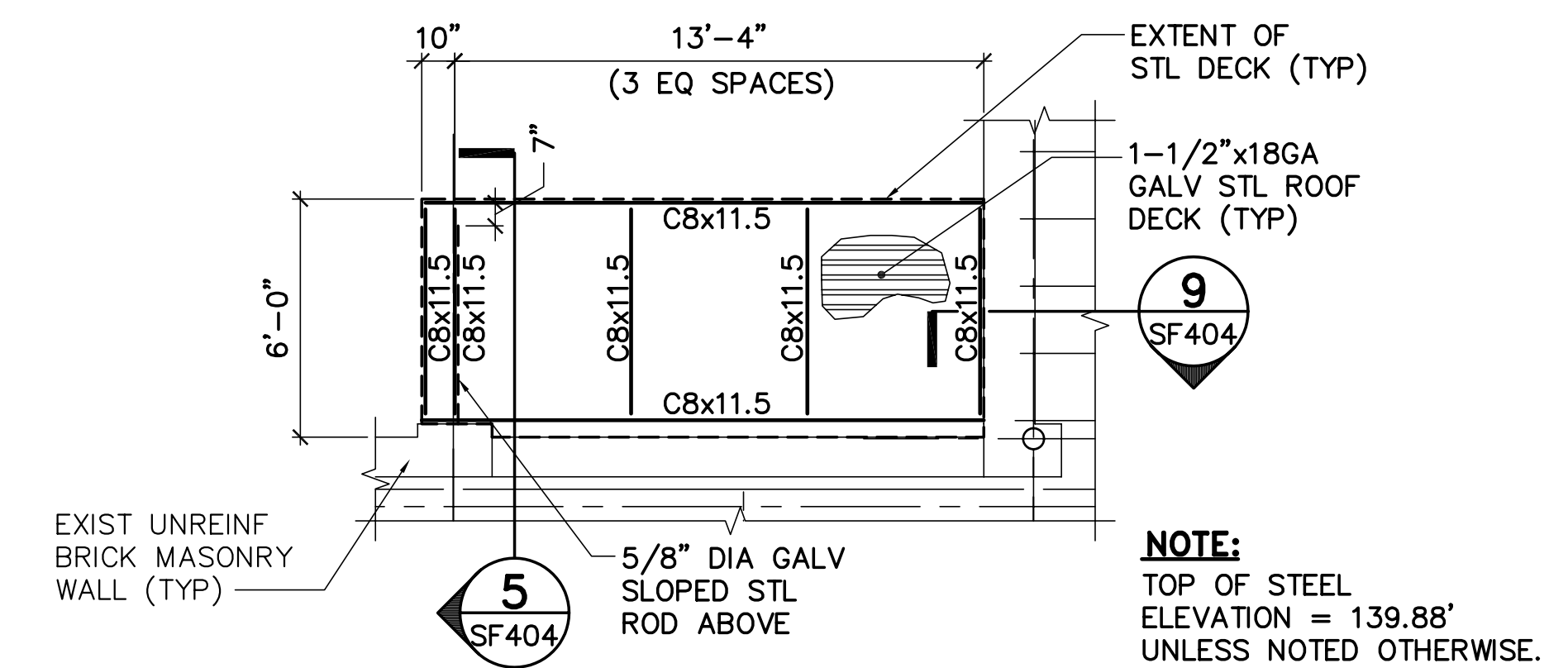
**KEYNOTES:** (THIS SHEET ONLY)

- 1 2" DIAMETER BEAM WEB PENETRATION. LOCATE BEAM WEB PENETRATION AT NEUTRAL AXIS OF BEAM.
- 2 BEAM BEARING PLATE. SEE DETAIL 6/SF503.
- 3 1" DIAMETER GALVANIZED STEEL ROD TO EXISTING MASONRY WALL CONNECTION. SEE DETAIL 8/SF503.
- 4 CONTRACTOR'S OPTION: PROVIDE FULL PENETRATION WELD/SPLICE AT W8x13 FOR EASE OF INSTALLATION.

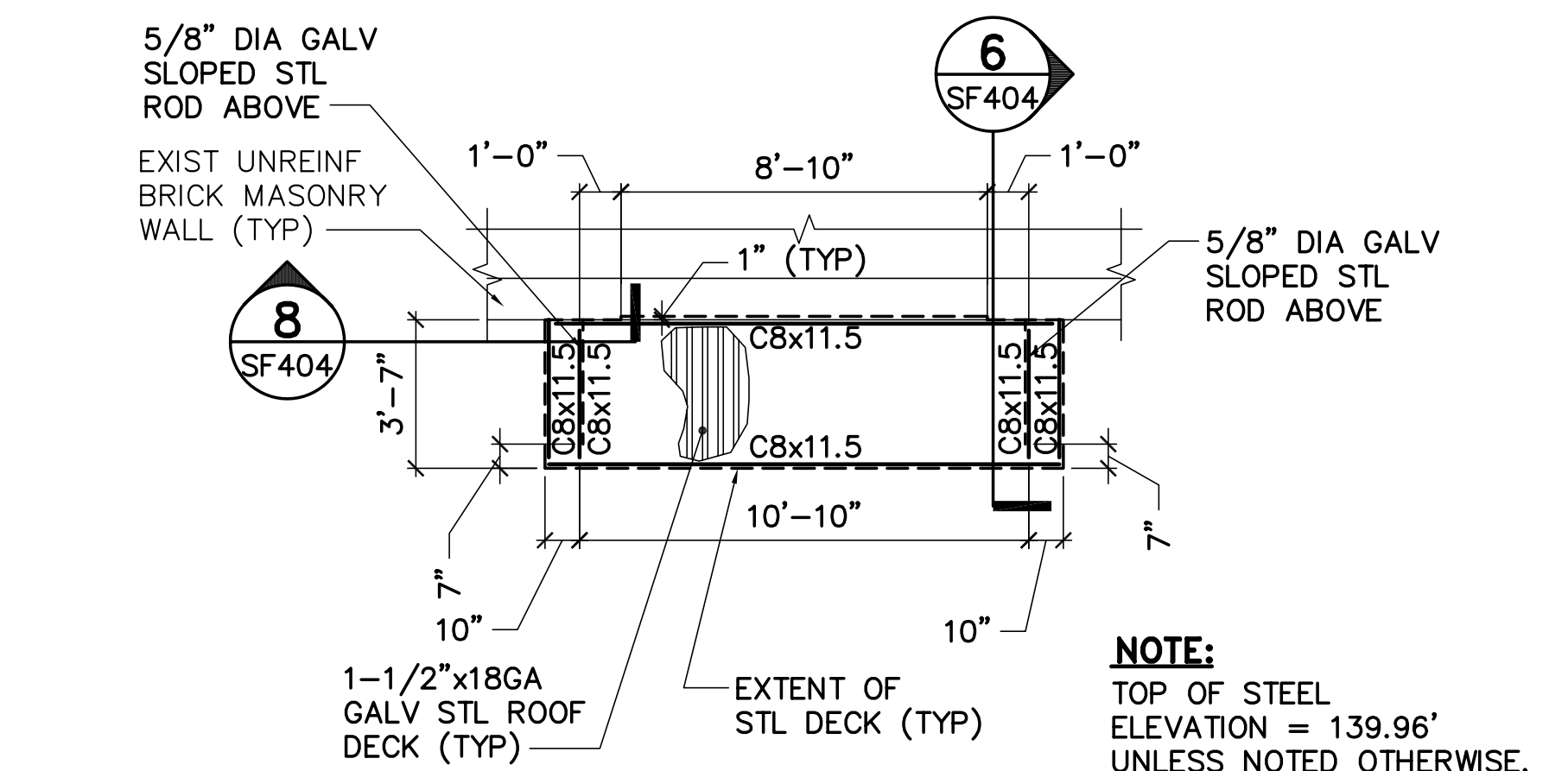
- NOTES:**
1. TOP OF STEEL ELEVATION = 140.88' UNLESS NOTED OTHERWISE.
  2. W8x10'S AND W8x13'S HAVE FACTORED END REACTIONS OF 10 KIPS, UNLESS NOTED OTHERWISE.



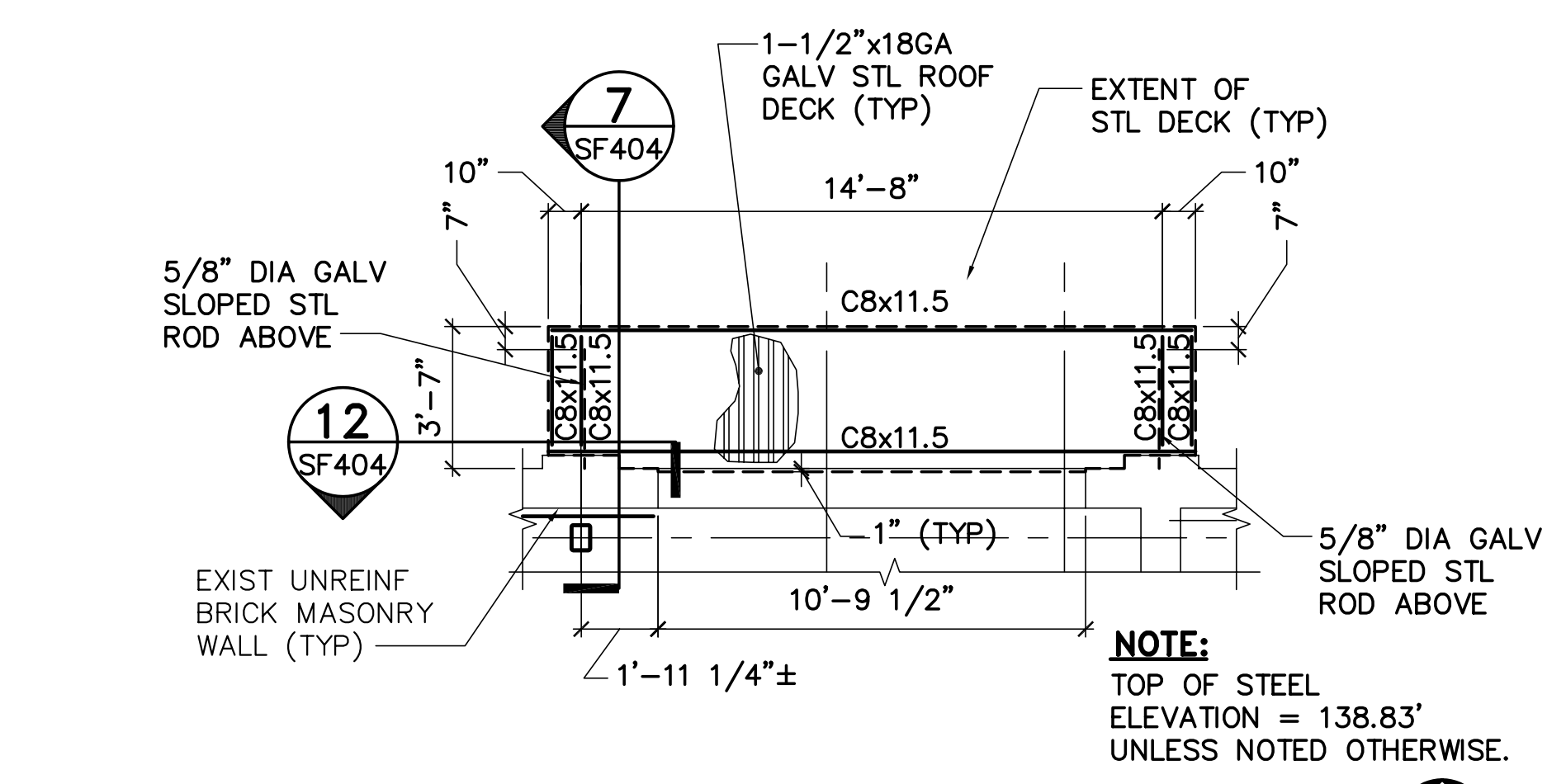
**1 ENLARGED FRONT ENTRY CANOPY FRAMING PLAN**  
 SF102, FX102, SF404 SCALE: 1/4"=1'-0"  
 PLAN NORTH



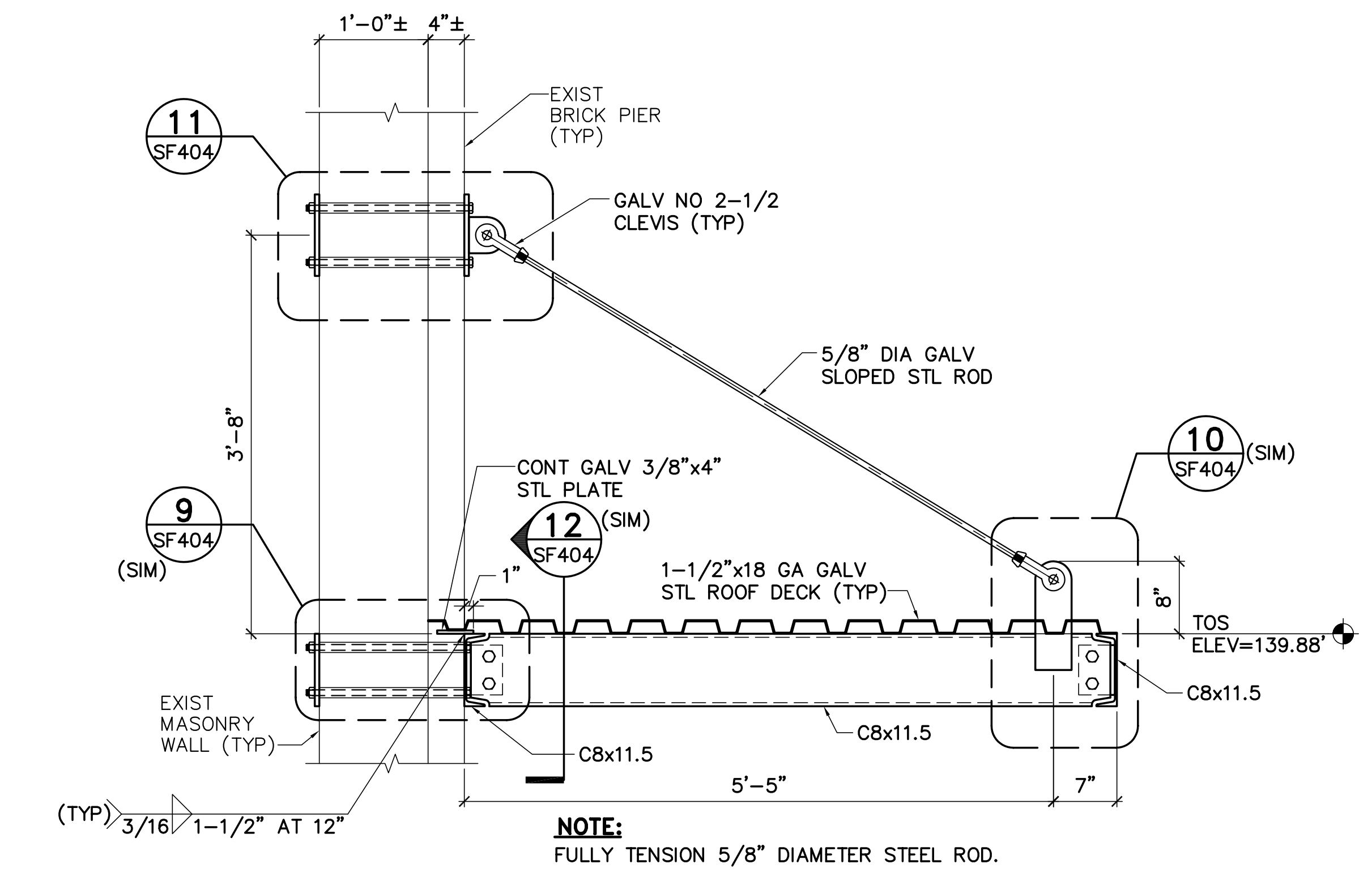
**2 ENLARGED ENTRY 125 CANOPY FRAMING PLAN**  
 SF102, SF404 SCALE: 1/4"=1'-0"  
 PLAN NORTH



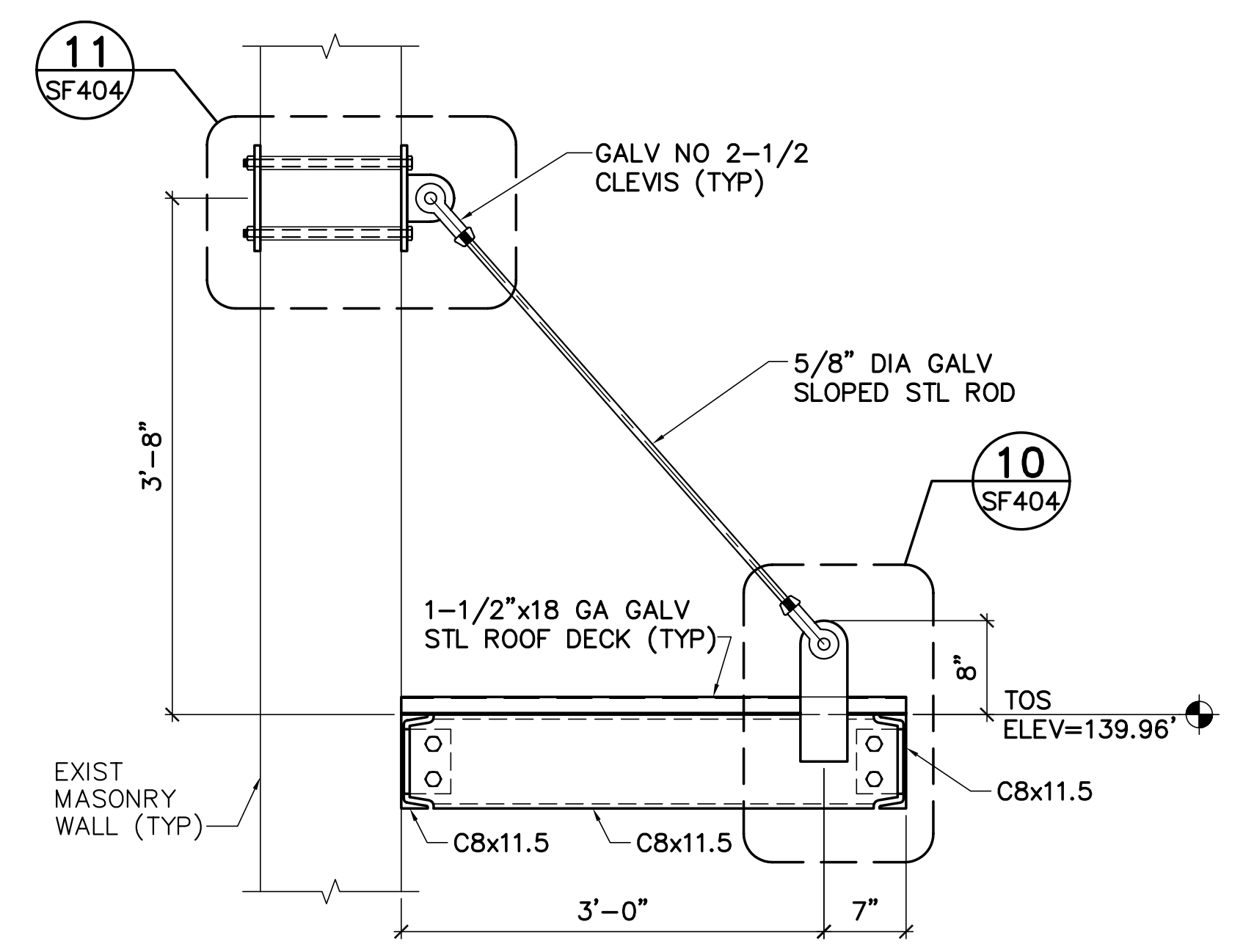
**3 ENLARGED RM 104 CANOPY FRAMING PLAN**  
 SF102, SF404 SCALE: 1/4"=1'-0"  
 PLAN NORTH



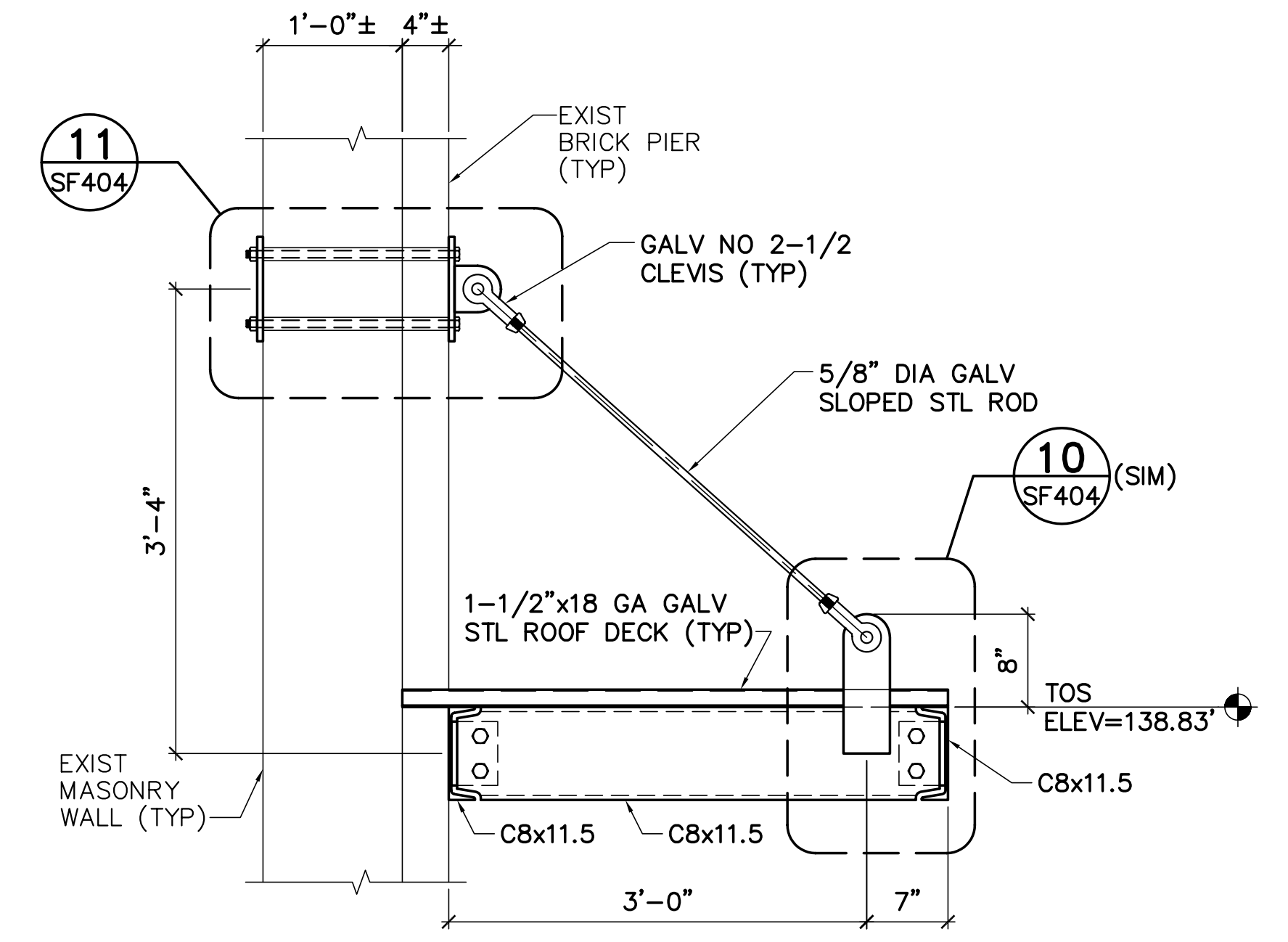
**4 ENLARGED RM 116 CANOPY FRAMING PLAN**  
 SF102, SF404 SCALE: 1/4"=1'-0"  
 PLAN NORTH



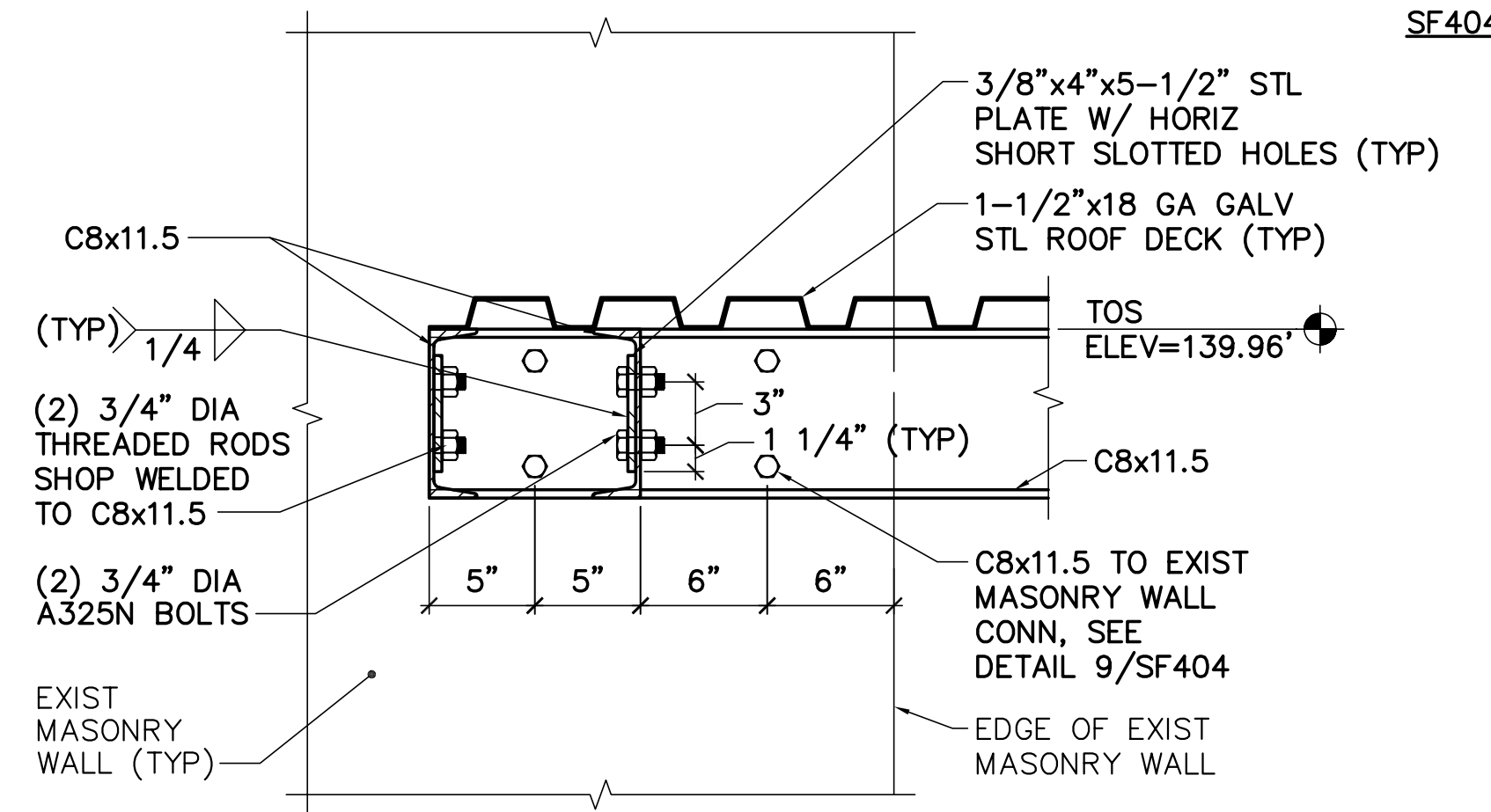
**5 ENTRY 125 CANOPY SECTION**  
 SF404 SCALE: 1"=1'-0"



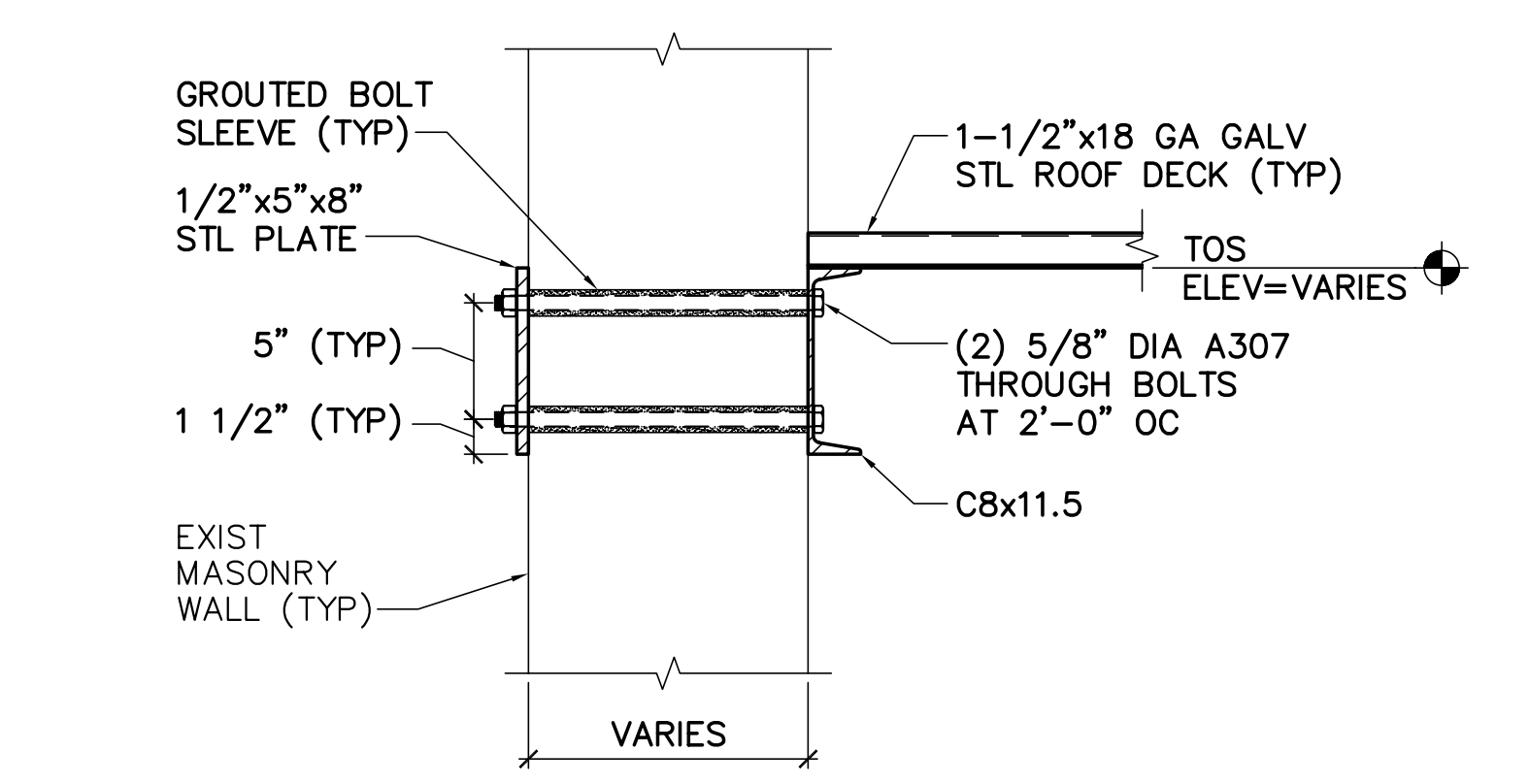
**6 RM 104 CANOPY SECTION**  
 SF404 SCALE: 1"=1'-0"



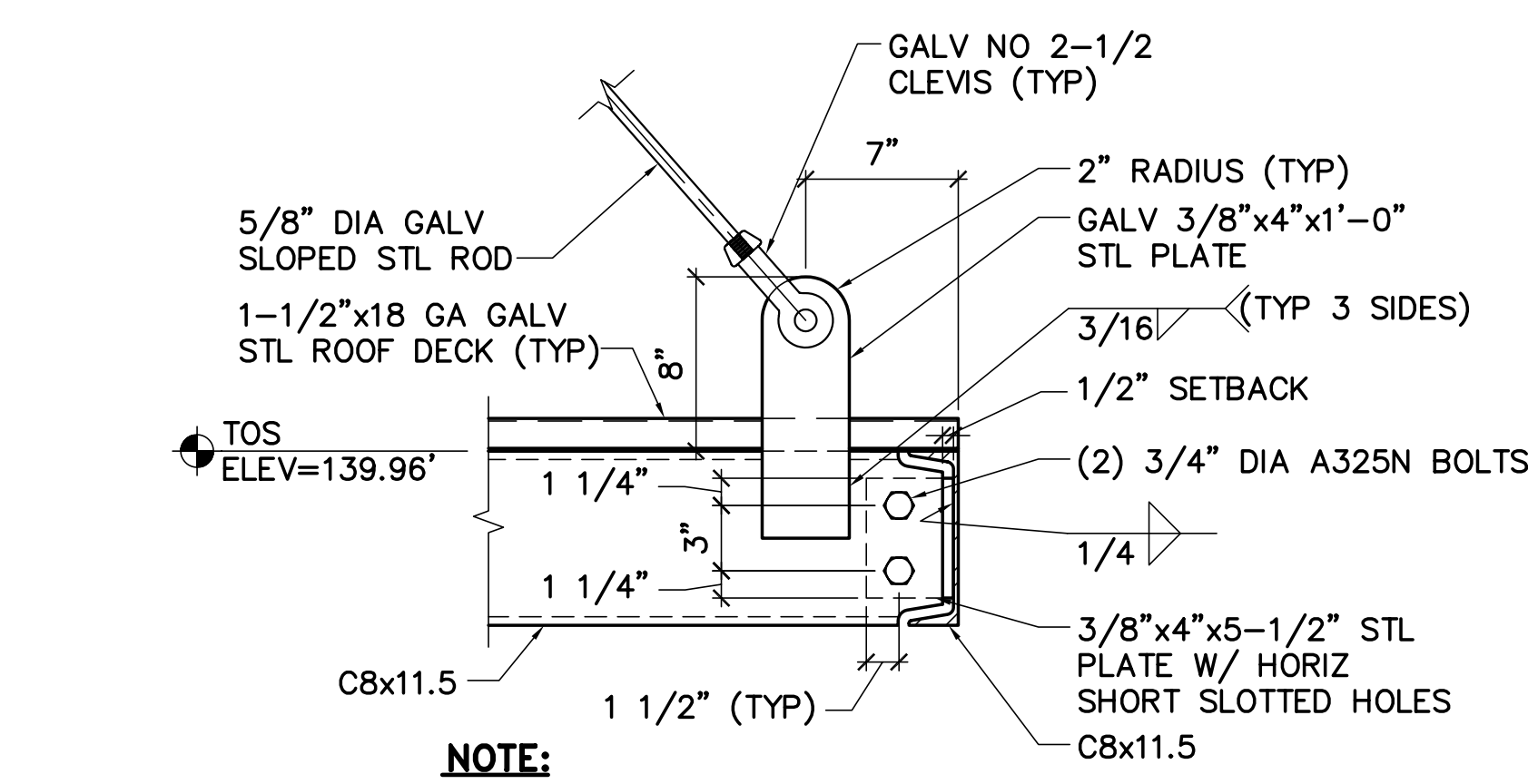
**7 RM 116 CANOPY SECTION**  
 SF404 SCALE: 1"=1'-0"



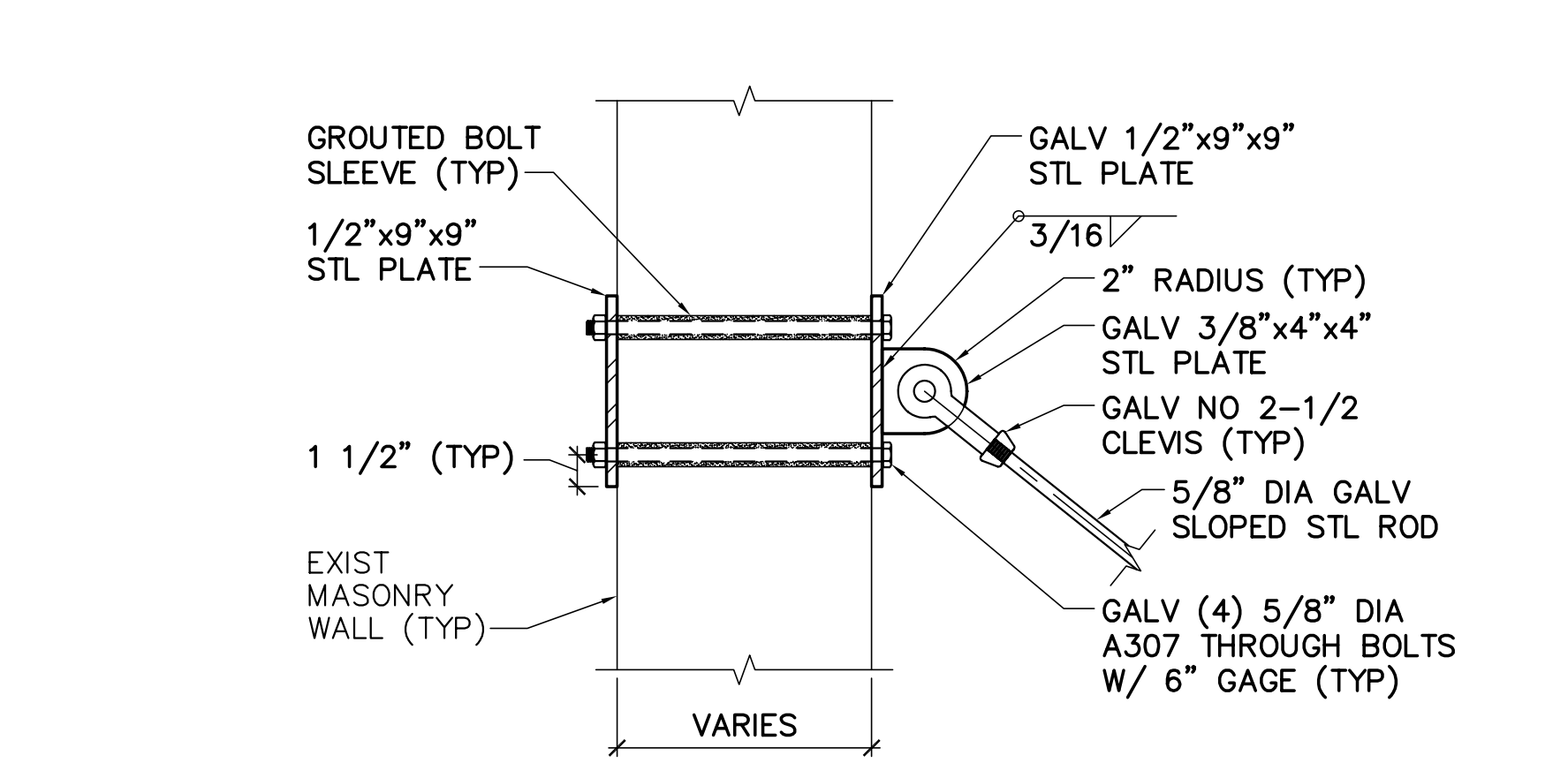
**8 MASONRY WALL CONN DETAIL**  
 SF404 SCALE: 1-1/2"=1'-0"



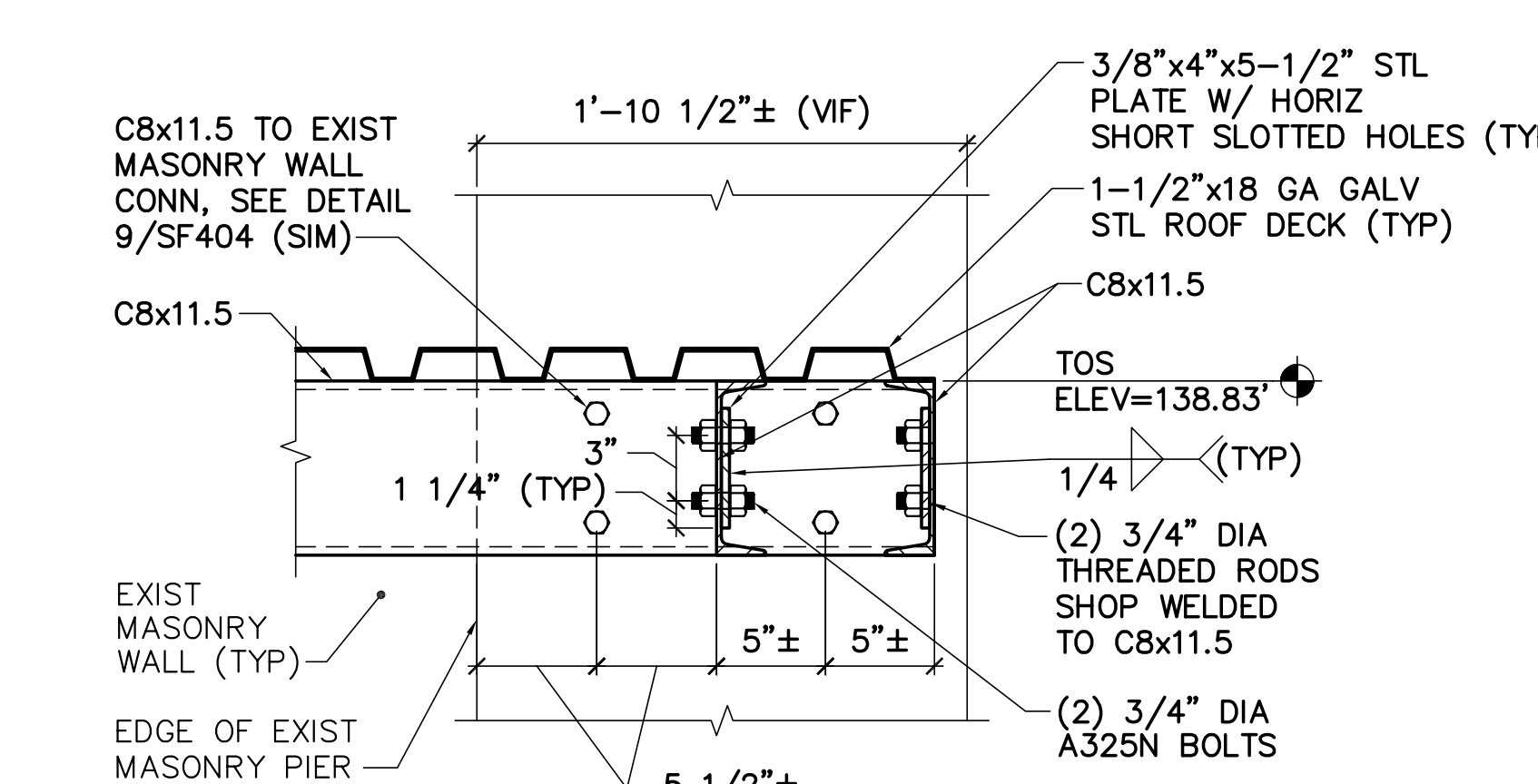
**9 MASONRY WALL CONN DETAIL**  
 SF404 SCALE: 1-1/2"=1'-0"



**10 ROD TO C8x11.5 CONN DETAIL**  
 SF404 SCALE: 1-1/2"=1'-0"



**11 EXIST MASONRY WALL CONN DETAIL**  
 SF404, SF503 SCALE: 1-1/2"=1'-0"



**12 EXIST MASONRY PIER CONN DETAIL**  
 SF404 SCALE: 1-1/2"=1'-0"

