

DESIGNED BY: JEG
 DRAWN BY: MJC
 CHECKED BY: DMM
 PROJECT: 21502.10

UNIVERSITY OF NEW ENGLAND
 PORTLAND CAMPUS
 STEVEN AVENUE ARMORY
 716 STEVENS AVE
 PORTLAND, MAINE 04103
 1(207)283-0171

RENOVATIONS TO THE
 STEVENS AVENUE ARMORY

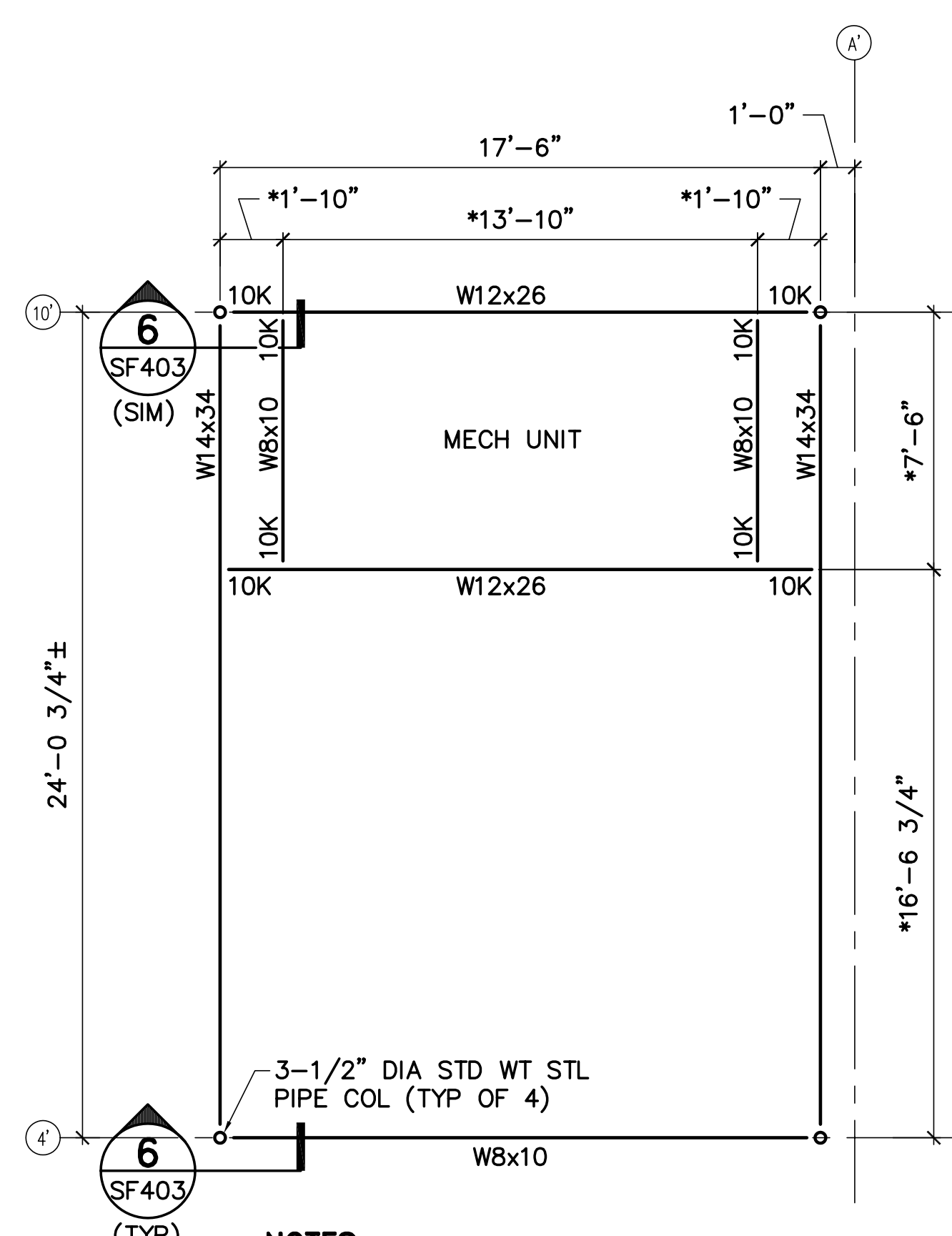
MECHANICAL PLATFORM FRAMING PLANS AND DETAILS

SCALE: AS NOTED

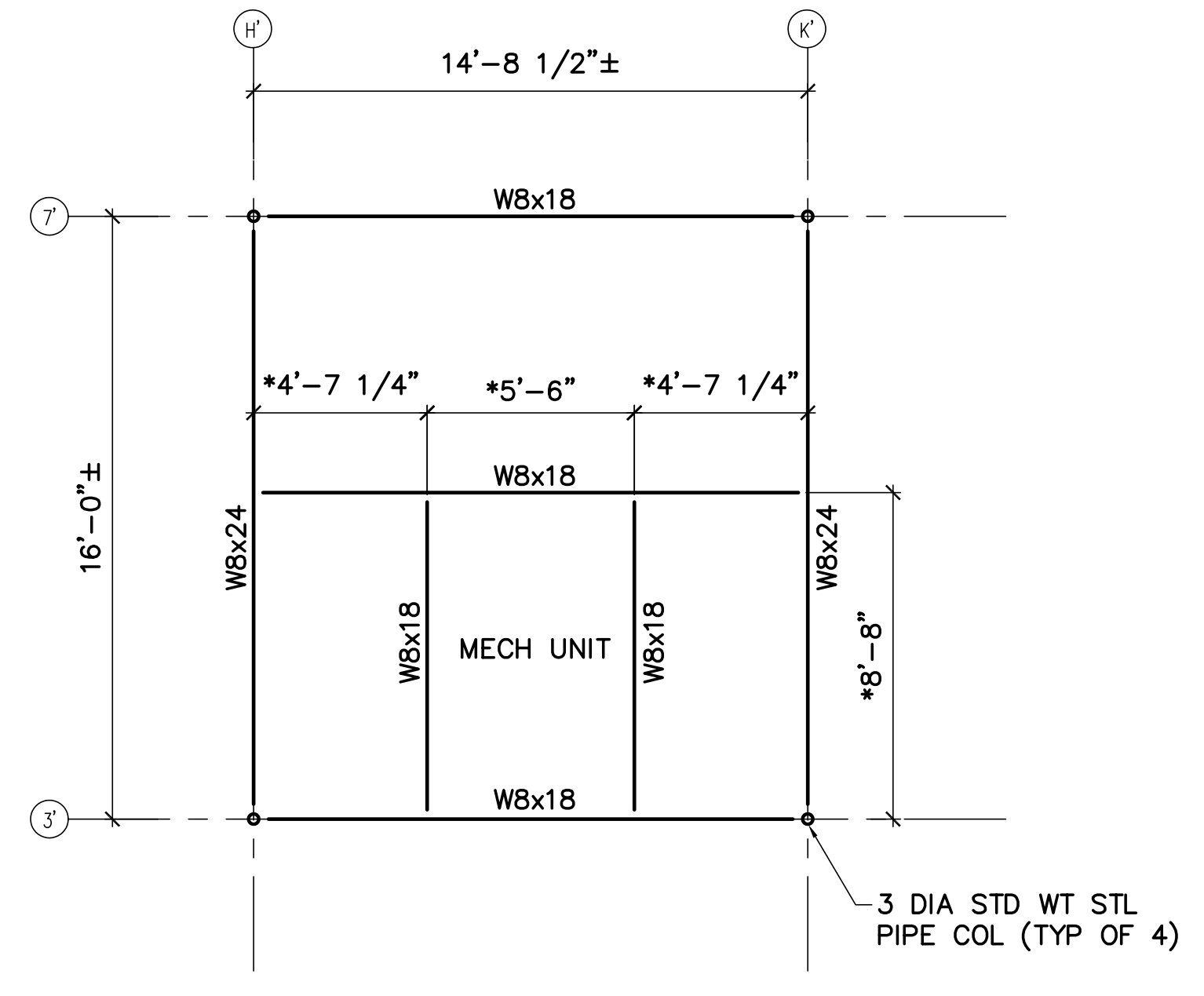
DATE: 05-24-16

DWG. SF403

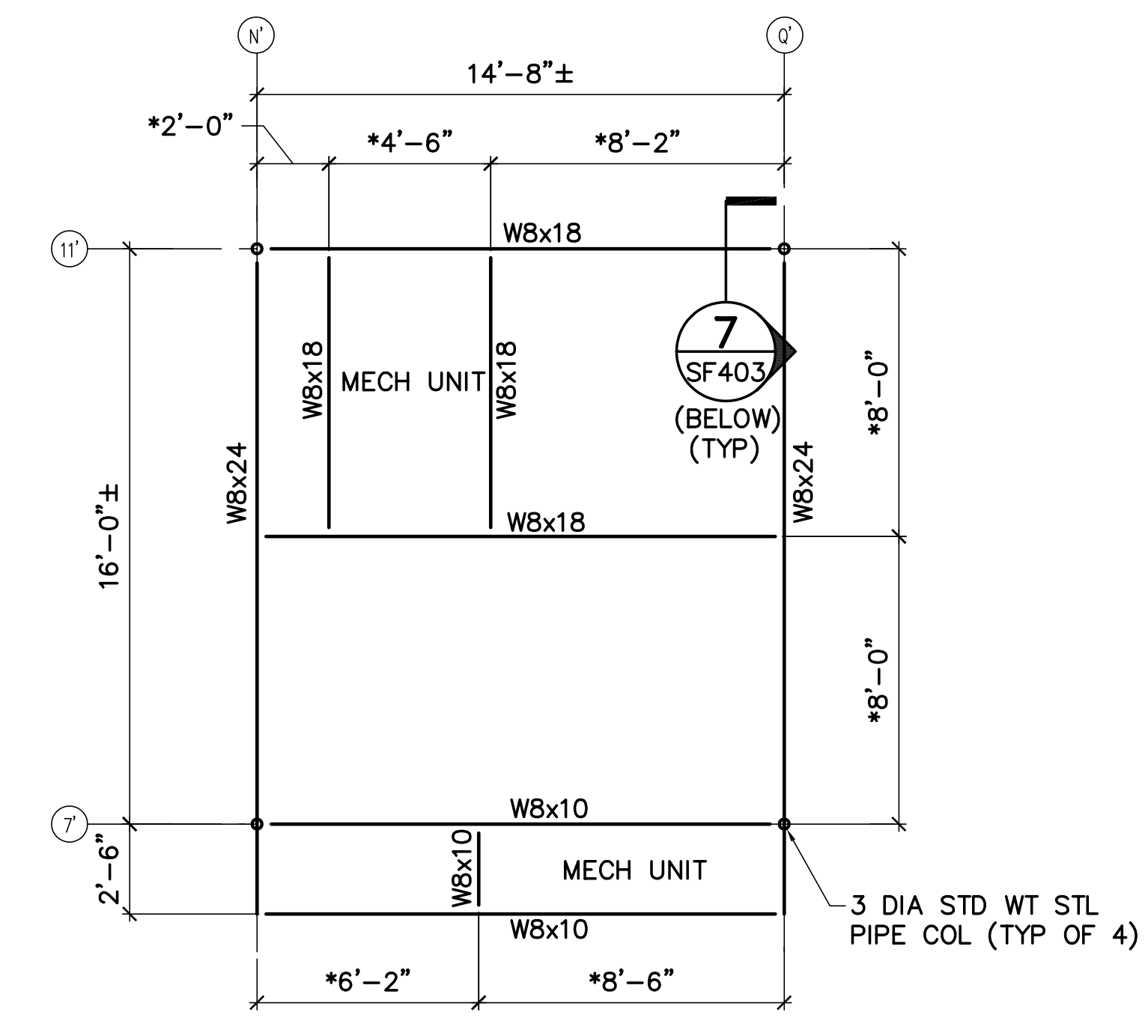
SHEET: 37 OF 169



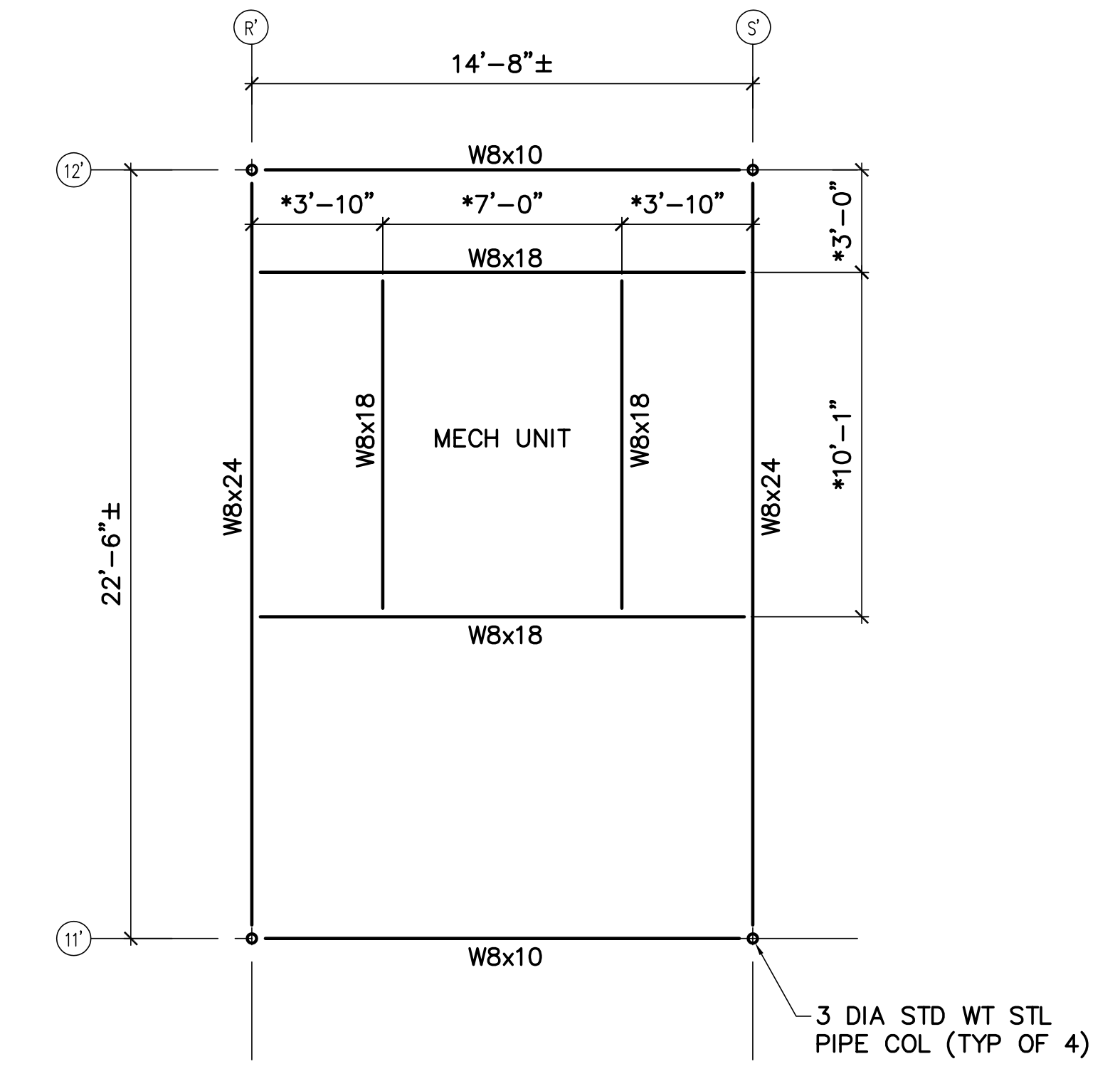
1 MECHANICAL PLATFORM FRAMING PLAN AT CHILLER
 SF103, AE120 SF403 SCALE: 1/4"=1'-0" PLAN NORTH



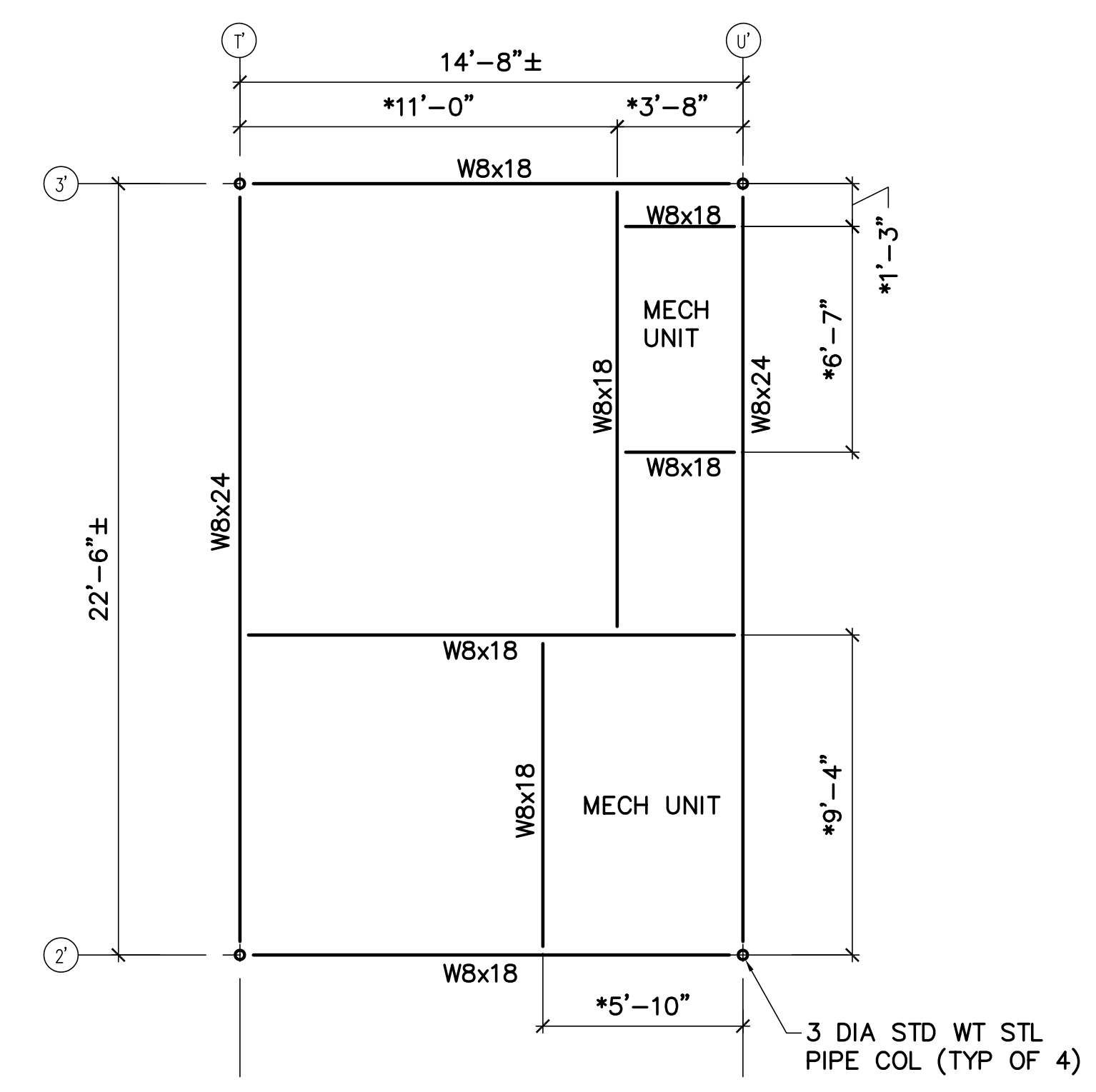
2 ERV-1 SUPPORT FRAME
 SF103, AE120 SF403 SCALE: 1/4"=1'-0" PLAN NORTH



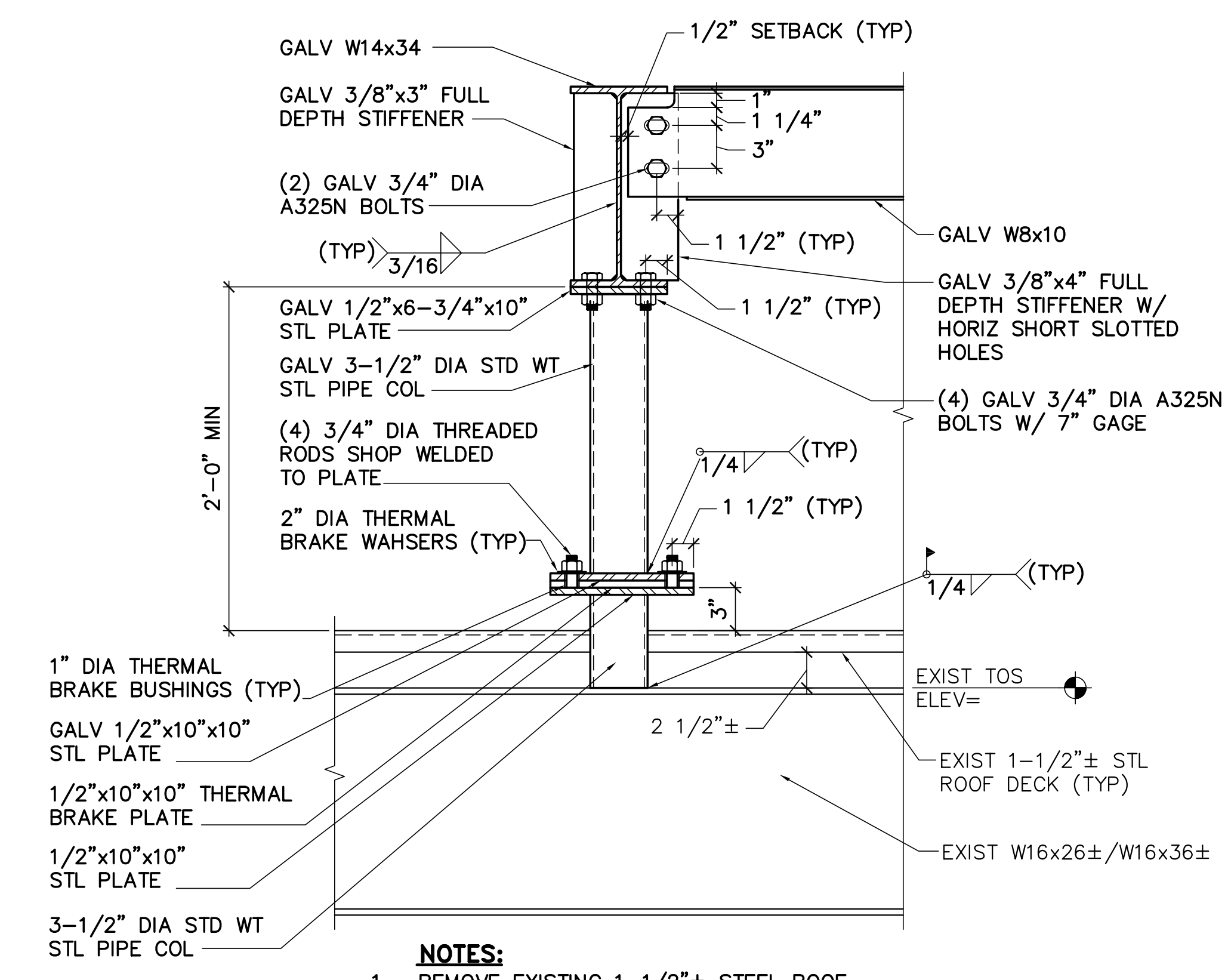
3 ERV-2/CU-1 SUPPORT FRAME
 SF103, AE120 SF403 SCALE: 1/4"=1'-0" PLAN NORTH



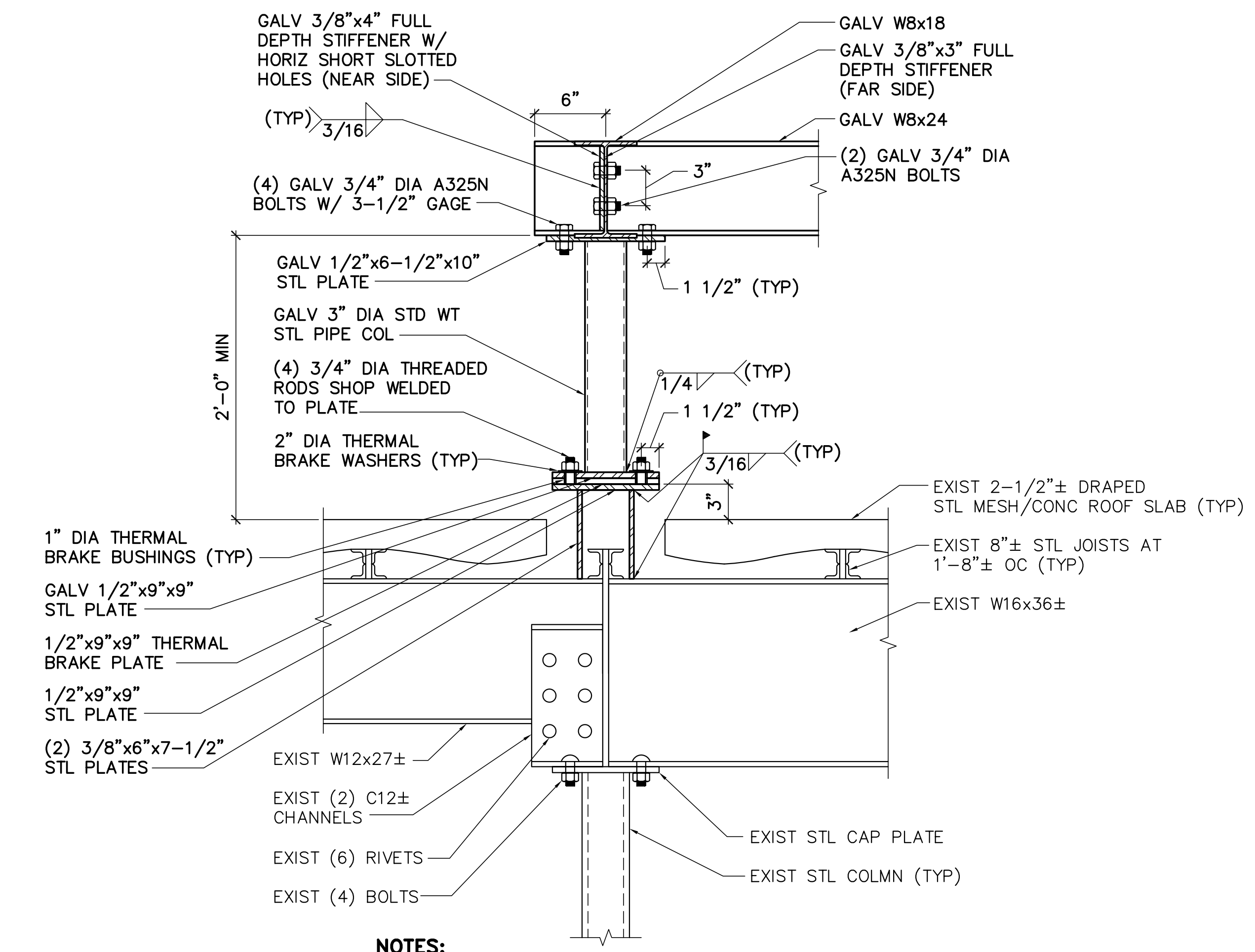
4 RTU-1 SUPPORT FRAME
 SF103, AE120 SF403 SCALE: 1/4"=1'-0" PLAN NORTH



5 RTU-2/RTU-3 SUPPORT FRAME
 SF103, AE120 SF403 SCALE: 1/4"=1'-0" PLAN NORTH



6 W8x10 TO W14x34 CONN DETAIL
 SF103, SF403 SCALE: 1-1/2"=1'-0"



7 TYP 3" DIA STD WT STL PIPE COLM TO EXIST BEAM CONN DETAIL
 SF103, SF403 SCALE: 1-1/2"=1'-0"

