

JEG
MJC
DNM
21502.10

DESIGNED BY:
DRAWN BY:
CHECKED BY:
PROJECT:

UNIVERSITY OF NEW ENGLAND
PORTLAND CAMPUS
STEVEN AVENUE ARMORY
716 STEVENS AVE
PORTLAND, MAINE 04103
TEL: (207) 285-0171

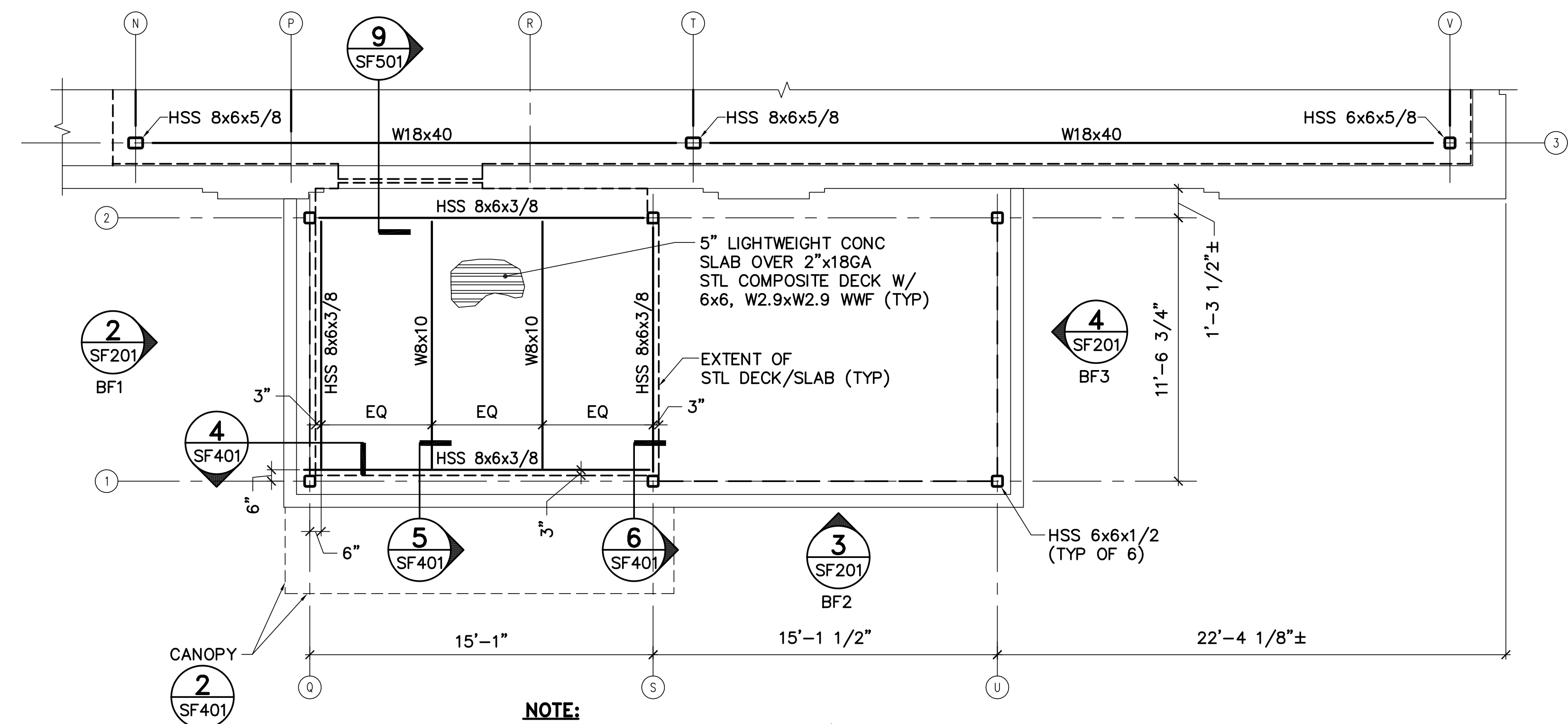
RENOVATIONS TO THE
STEVEN AVENUE ARMORY

ENLARGED STAIR S01
FRAMING
PLANS AND
DETAILS

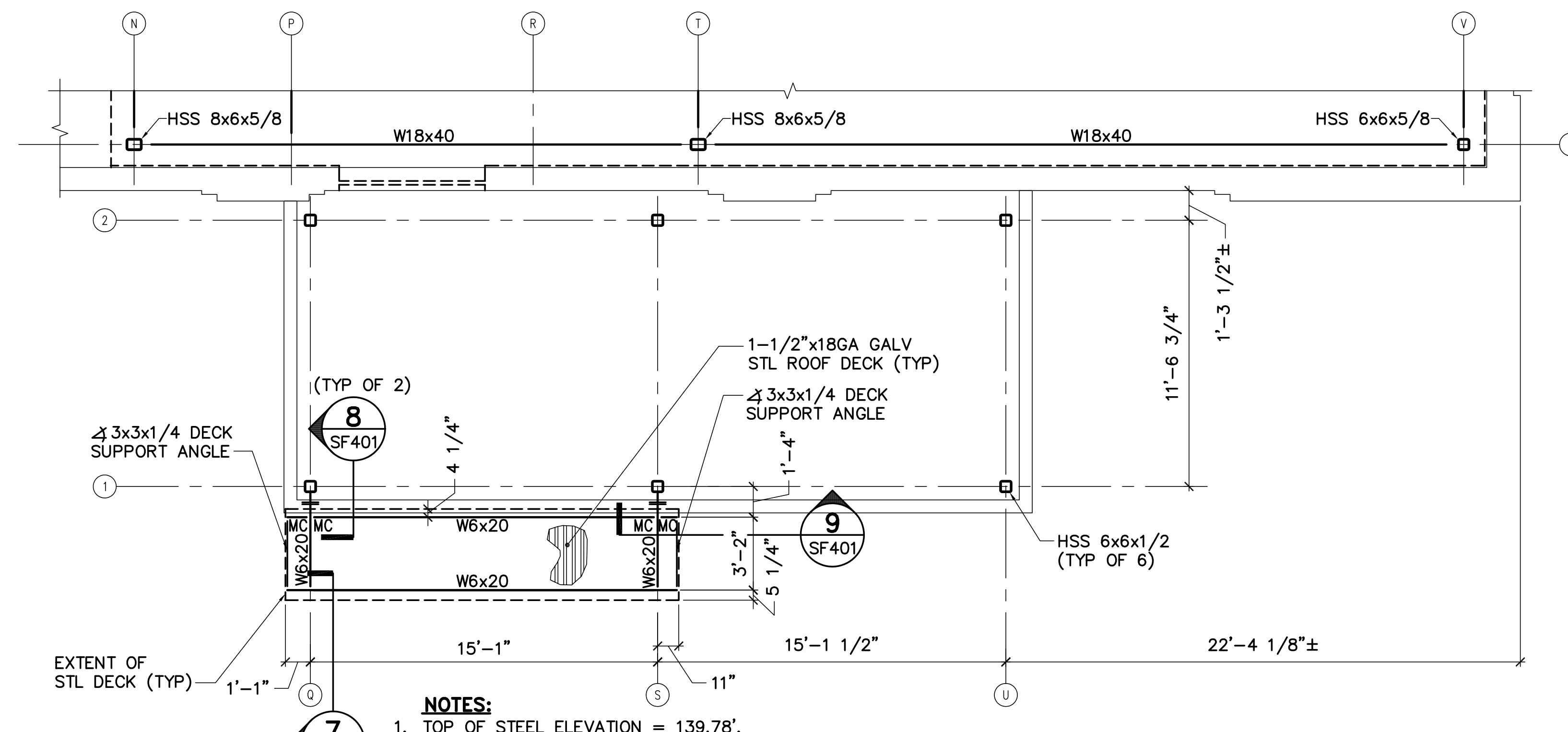
SCALE: AS NOTED
DATE: 05-24-16

DWG. SF401

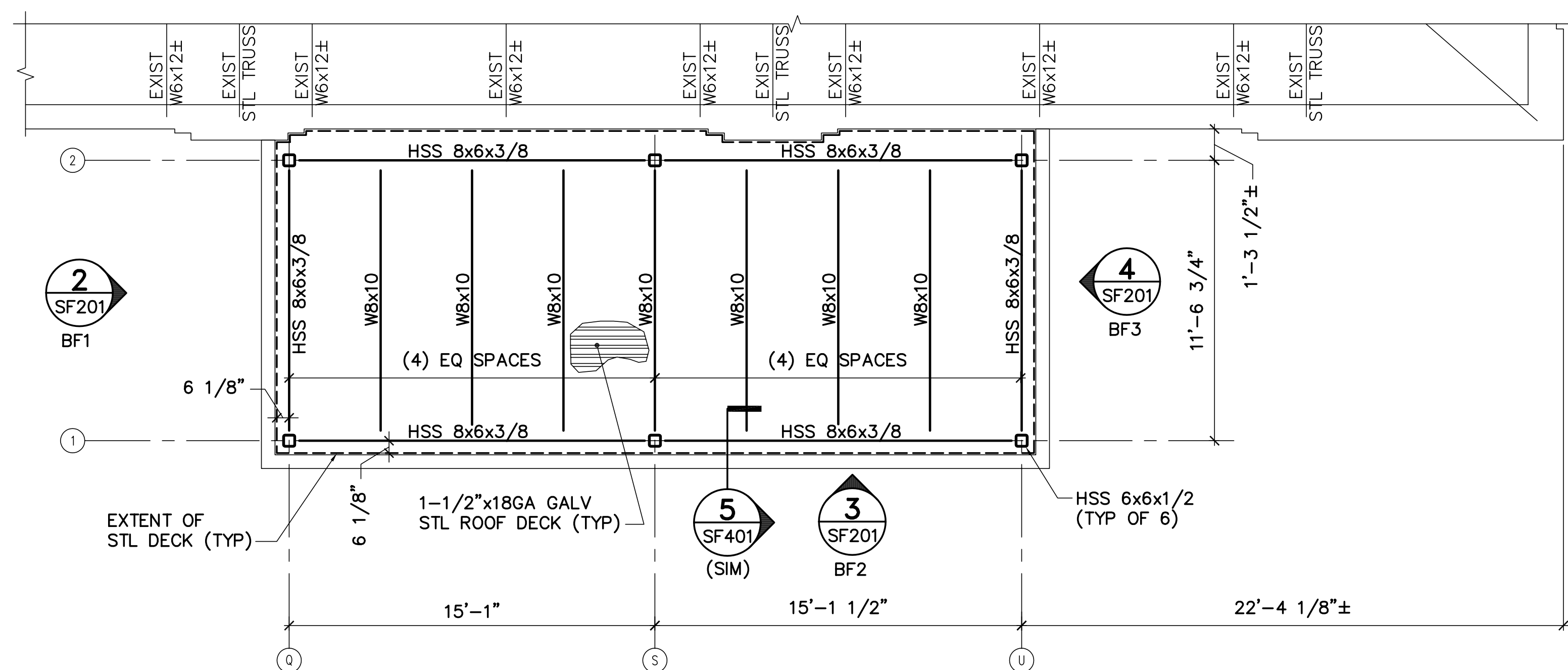
SHEET: 35 OF 169



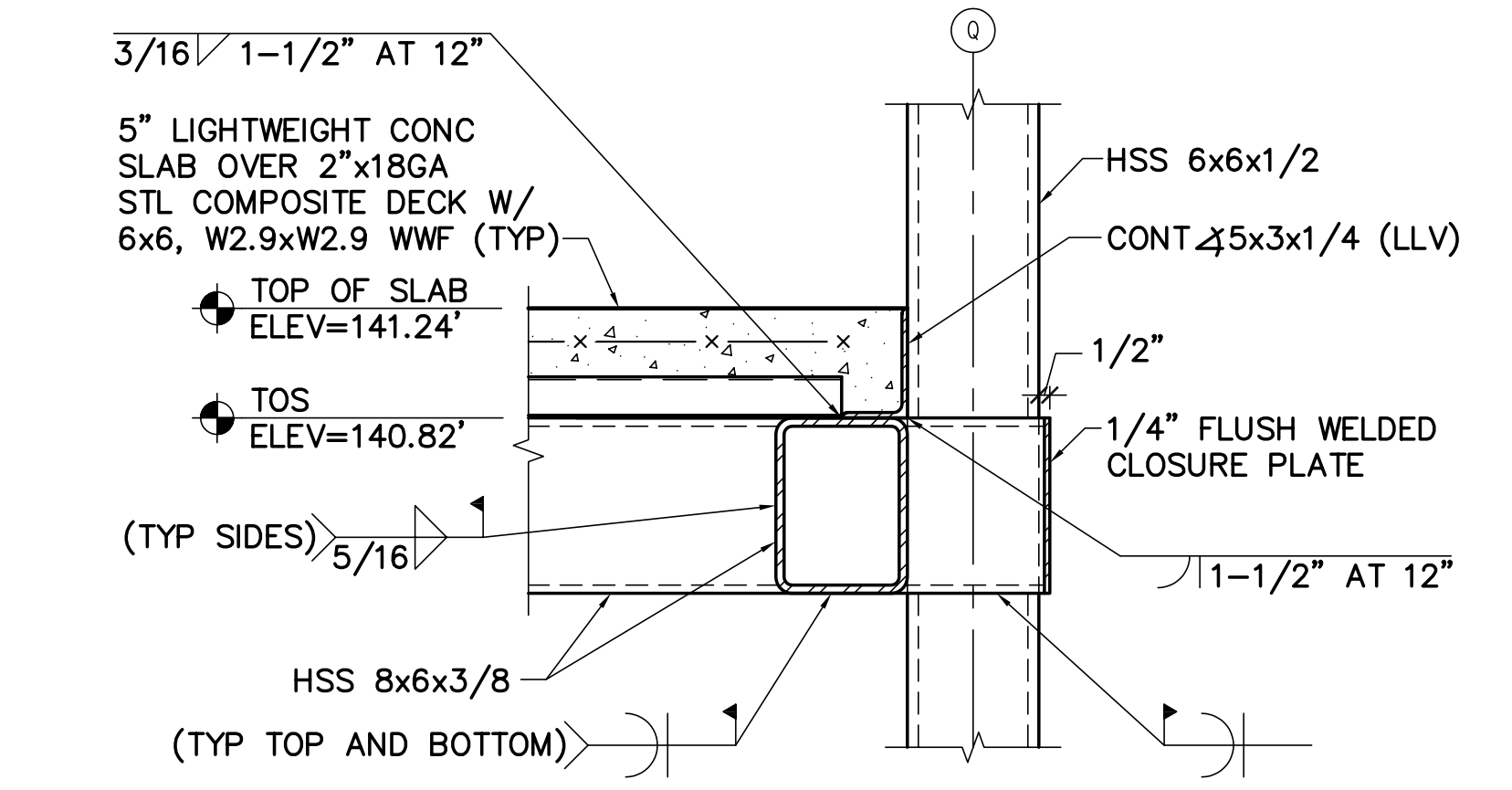
1 ENLARGED STAIR S01 FLOOR FRAMING PLAN
SF401 SCALE: 1/4"=1'-0"



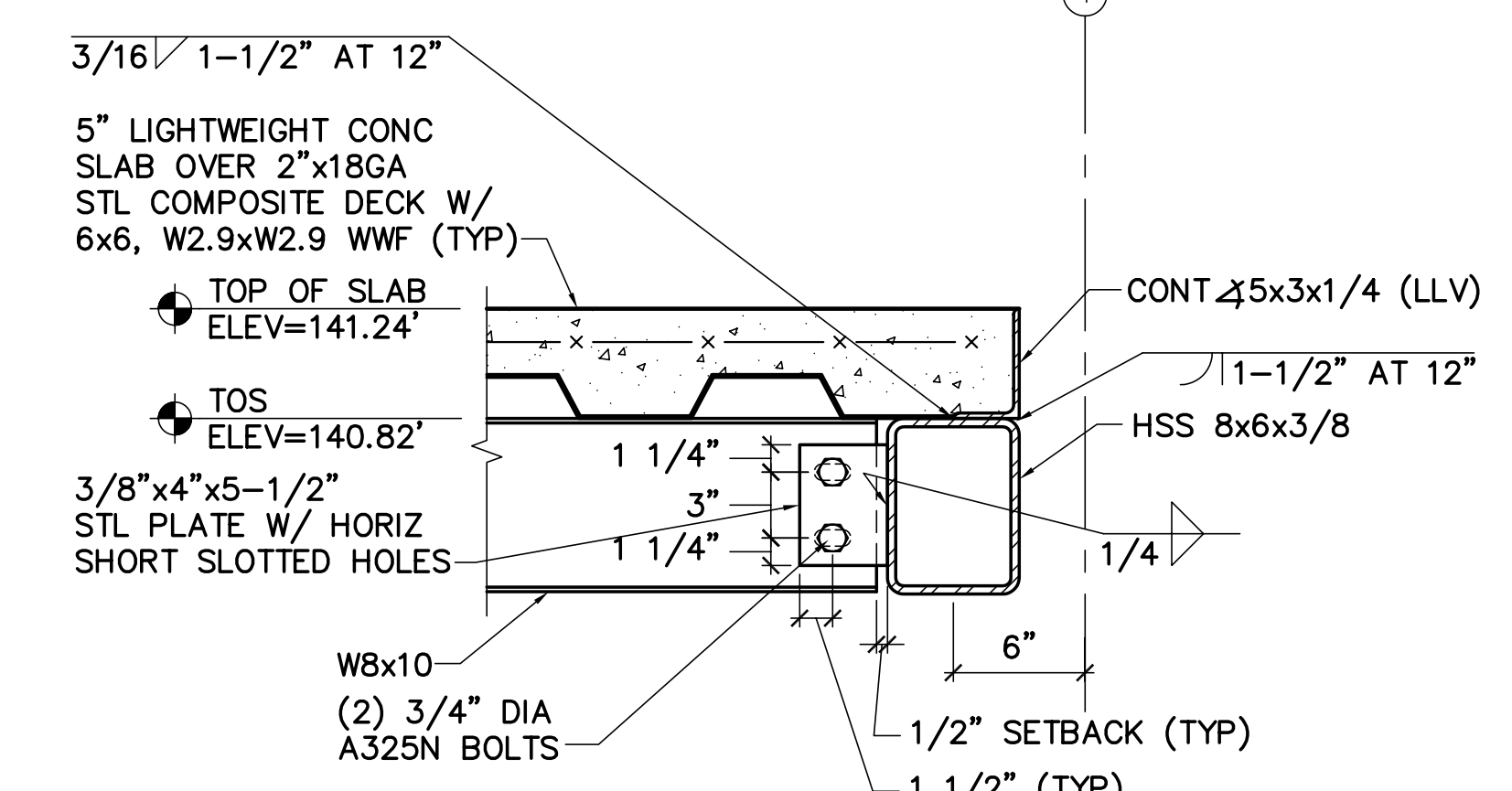
2 ENLARGED STAIR S01 CANOPY FRAMING PLAN
SF401 SCALE: 1/4"=1'-0"



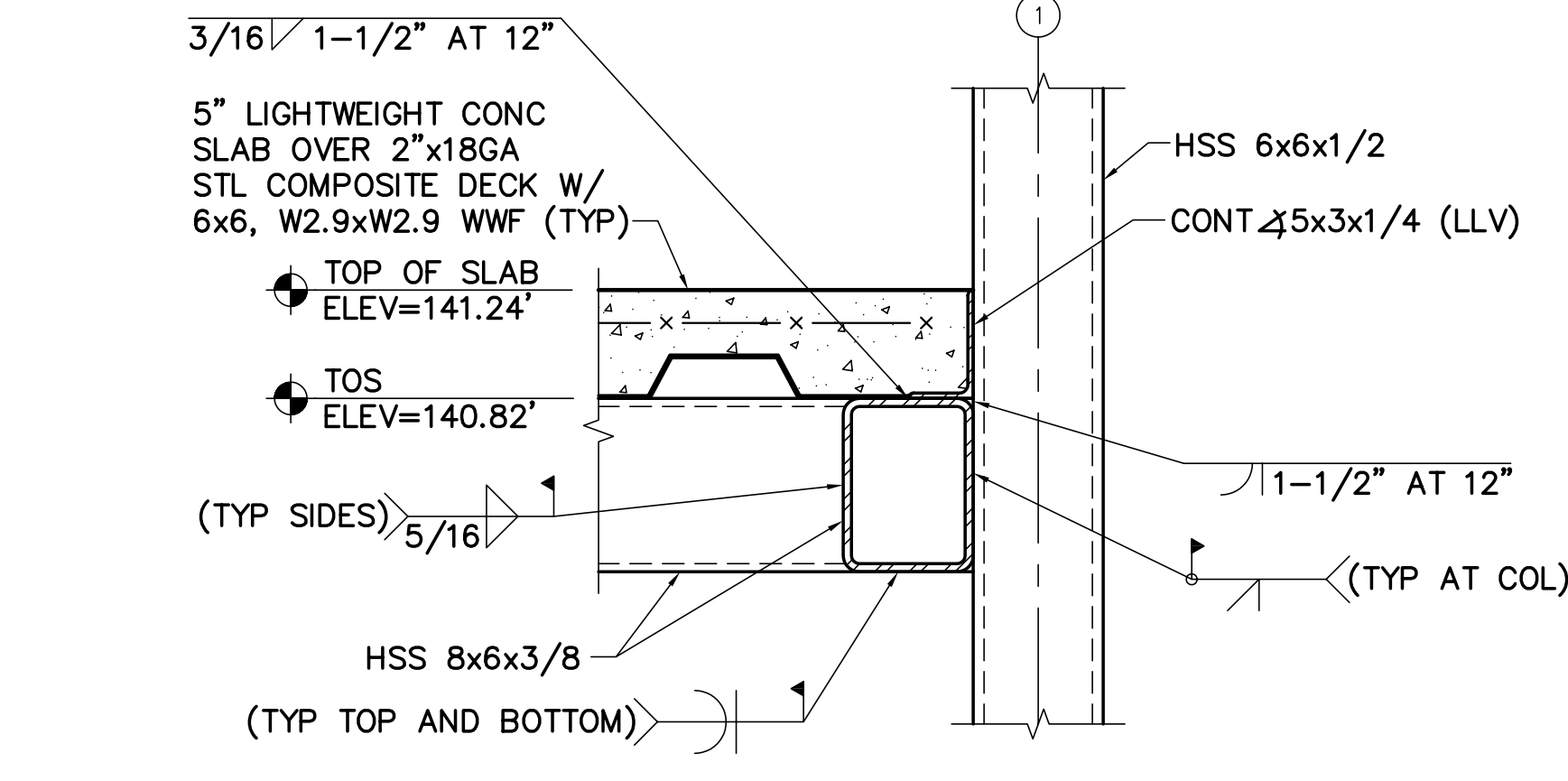
3 ENLARGED STAIR S01 ROOF FRAMING PLAN
SF401 SCALE: 1/4"=1'-0"



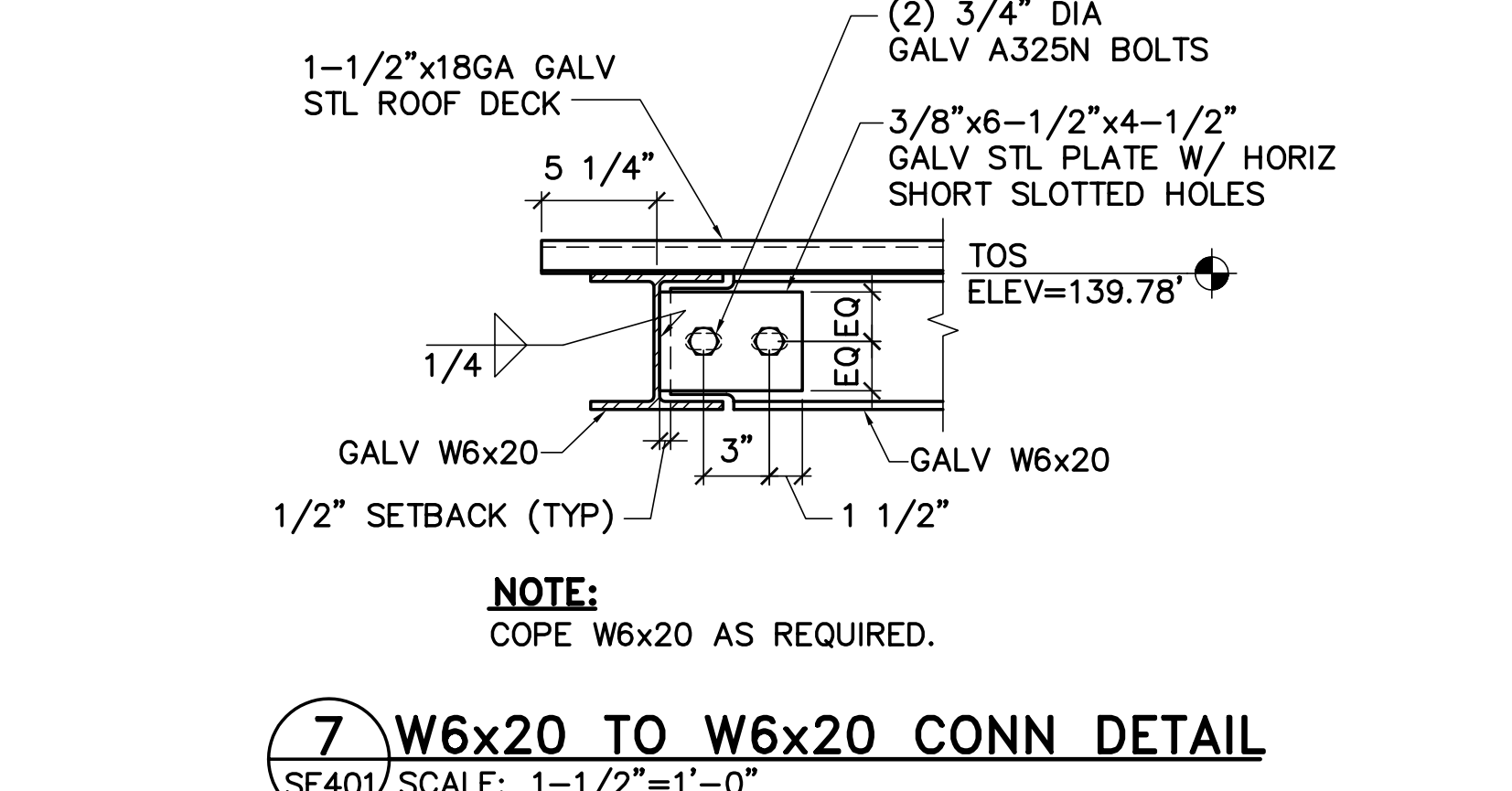
4 HSS 8x6x3/8 TO HSS 6x6x3/8 CONN DETAIL
SF401 SCALE: 1-1/2"=1'-0"



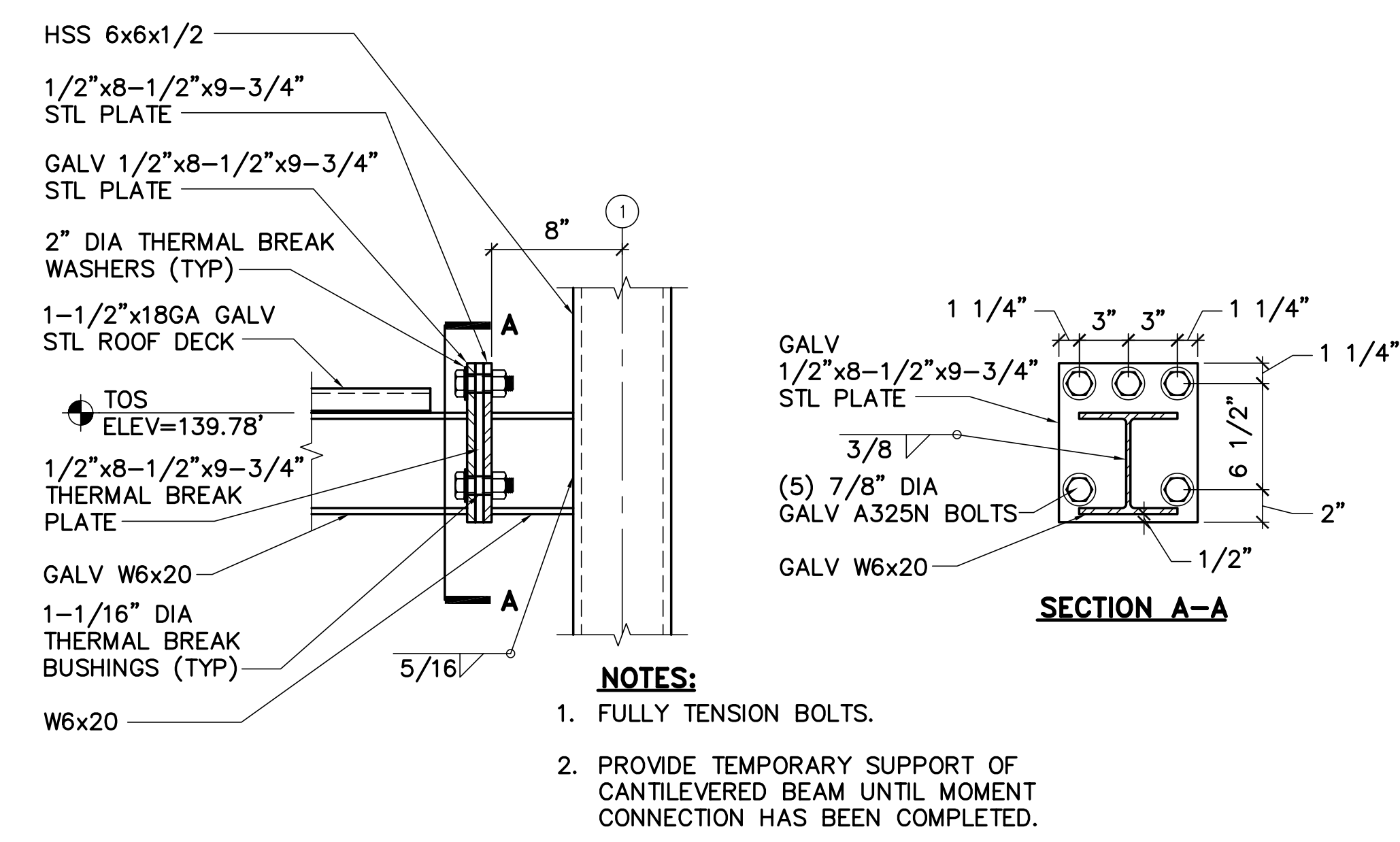
5 W8x10 TO HSS 8x6x3/8 CONN DETAIL
SF401 SCALE: 1-1/2"=1'-0"



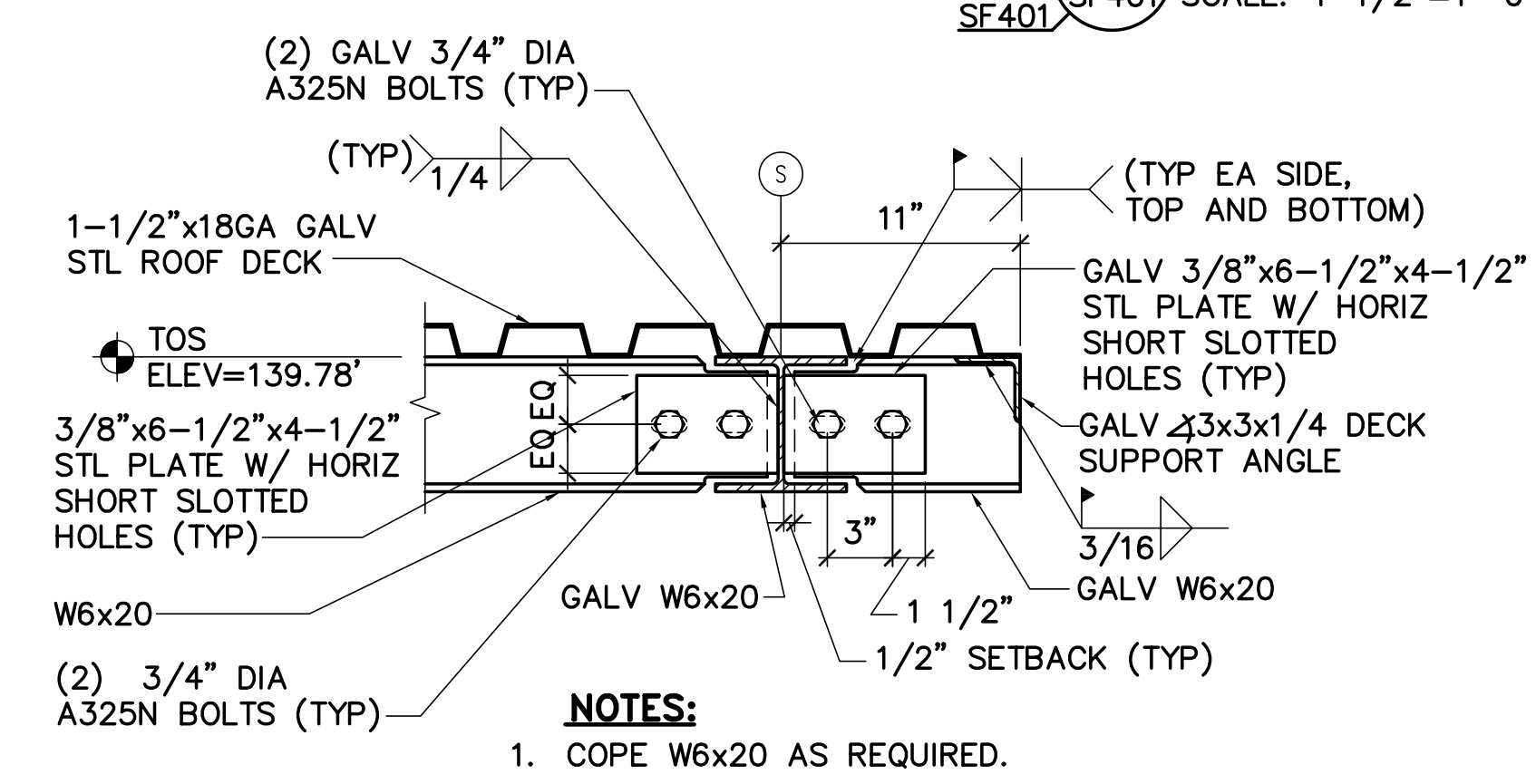
6 HSS 8x6x3/8 TO HSS 6x6x3/8 CONN DETAIL
SF401 SCALE: 1-1/2"=1'-0"



7 W6x20 TO W6x20 CONN DETAIL
SF401 SCALE: 1-1/2"=1'-0"



8 W6x20 TO HSS 6x6x1/2 CONN DETAIL
SF401 SCALE: 1-1/2"=1'-0"



9 W6x20 TO W6x20 MOMENT CONN DETAIL
SF401 SCALE: 1-1/2"=1'-0"

