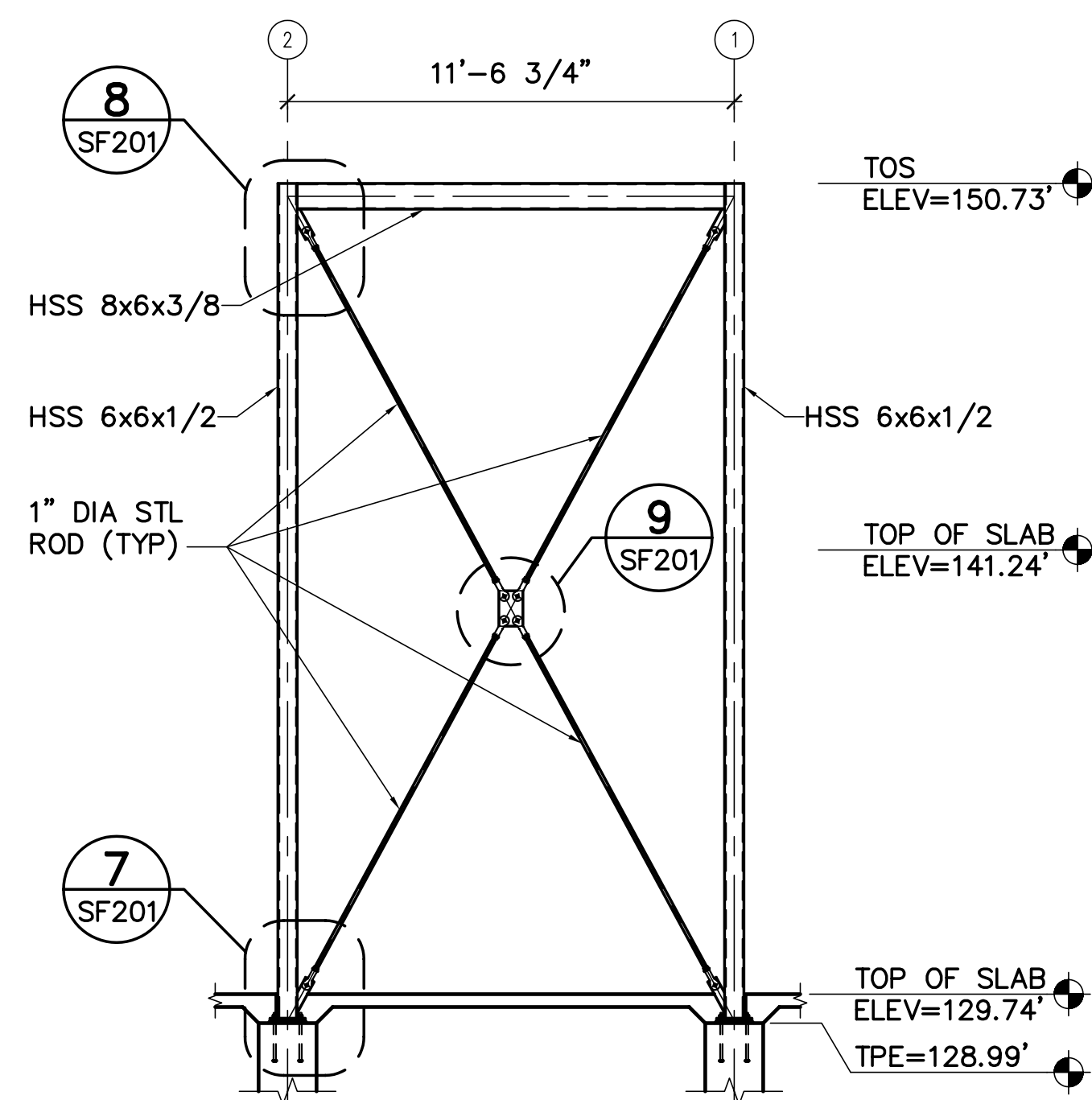
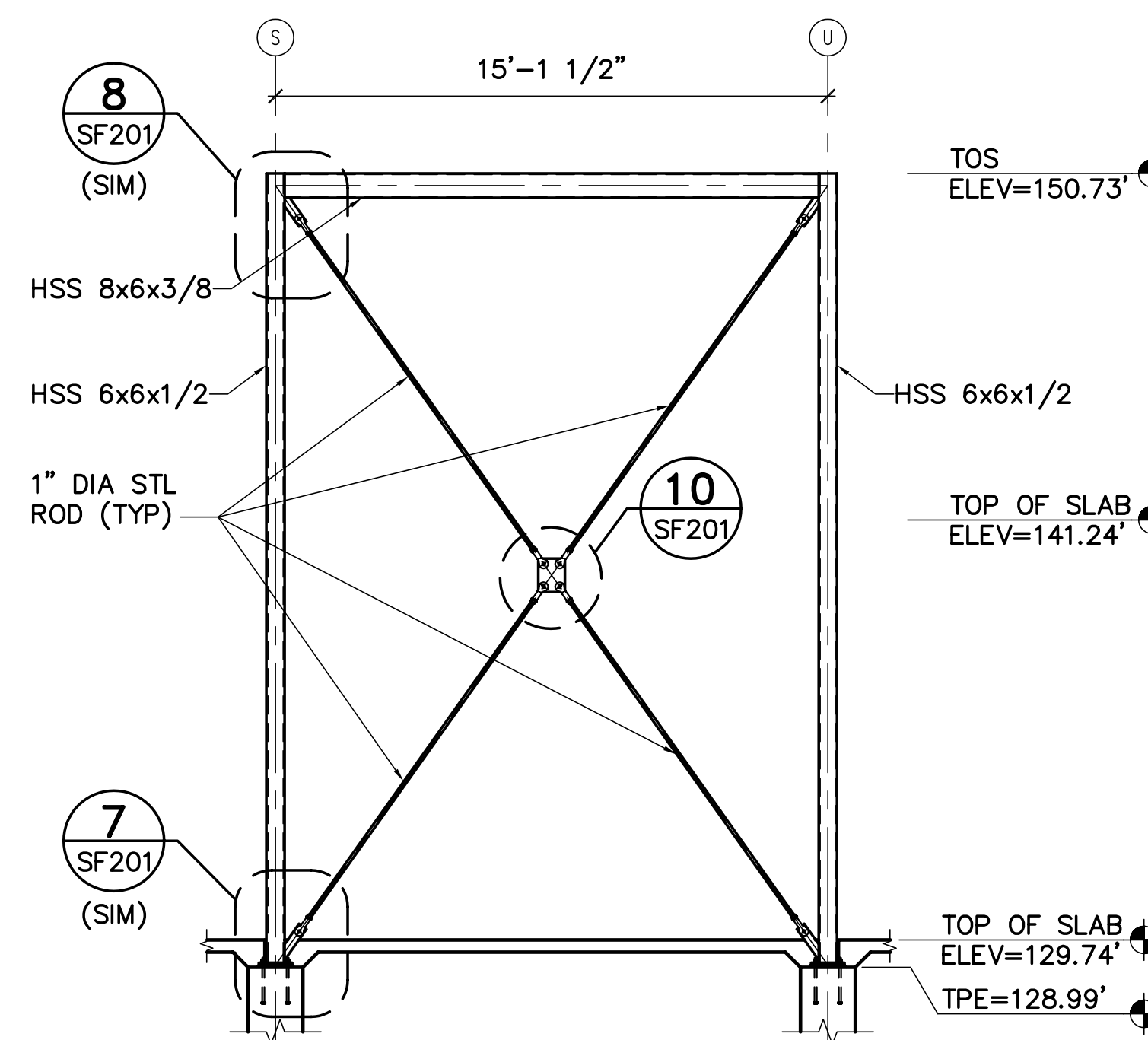


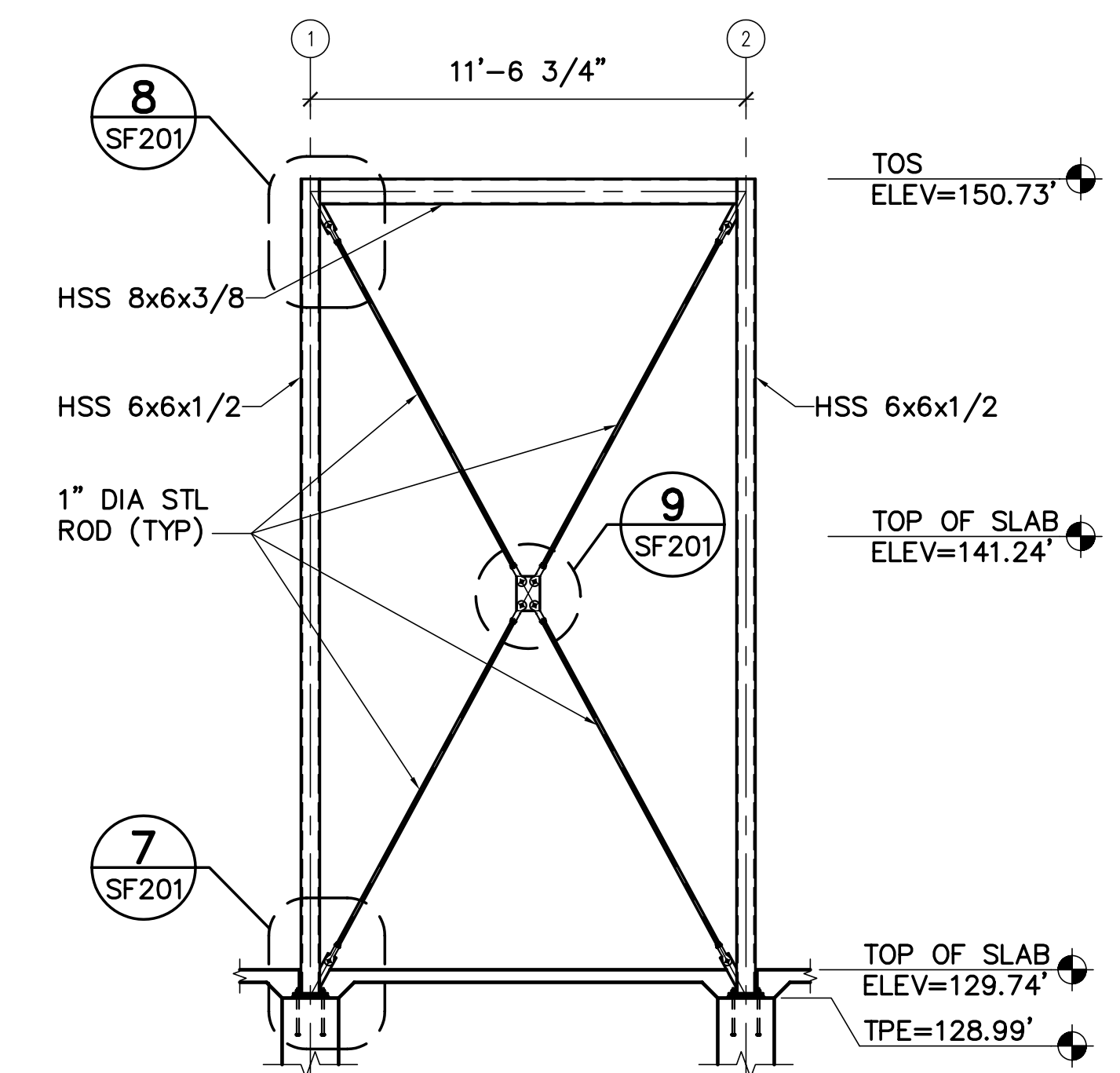
**1 TYP BRACED FRAME ELEVATION**  
SF102/SF201 SCALE: 1/4"=1'-0"



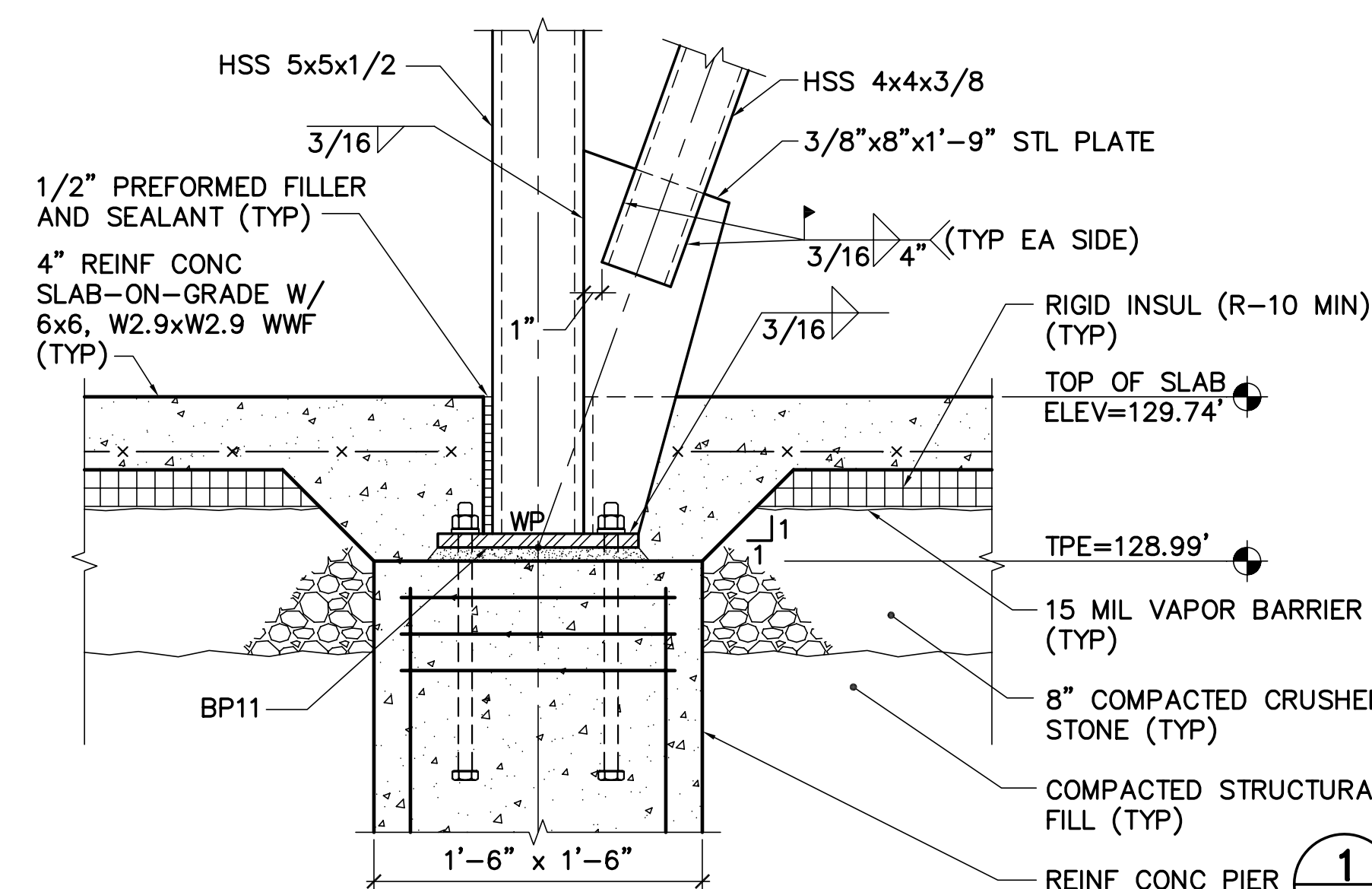
**2 STAIR TOWER BF1 ELEVATION**  
SF401/SF201 SCALE: 1/4"=1'-0"



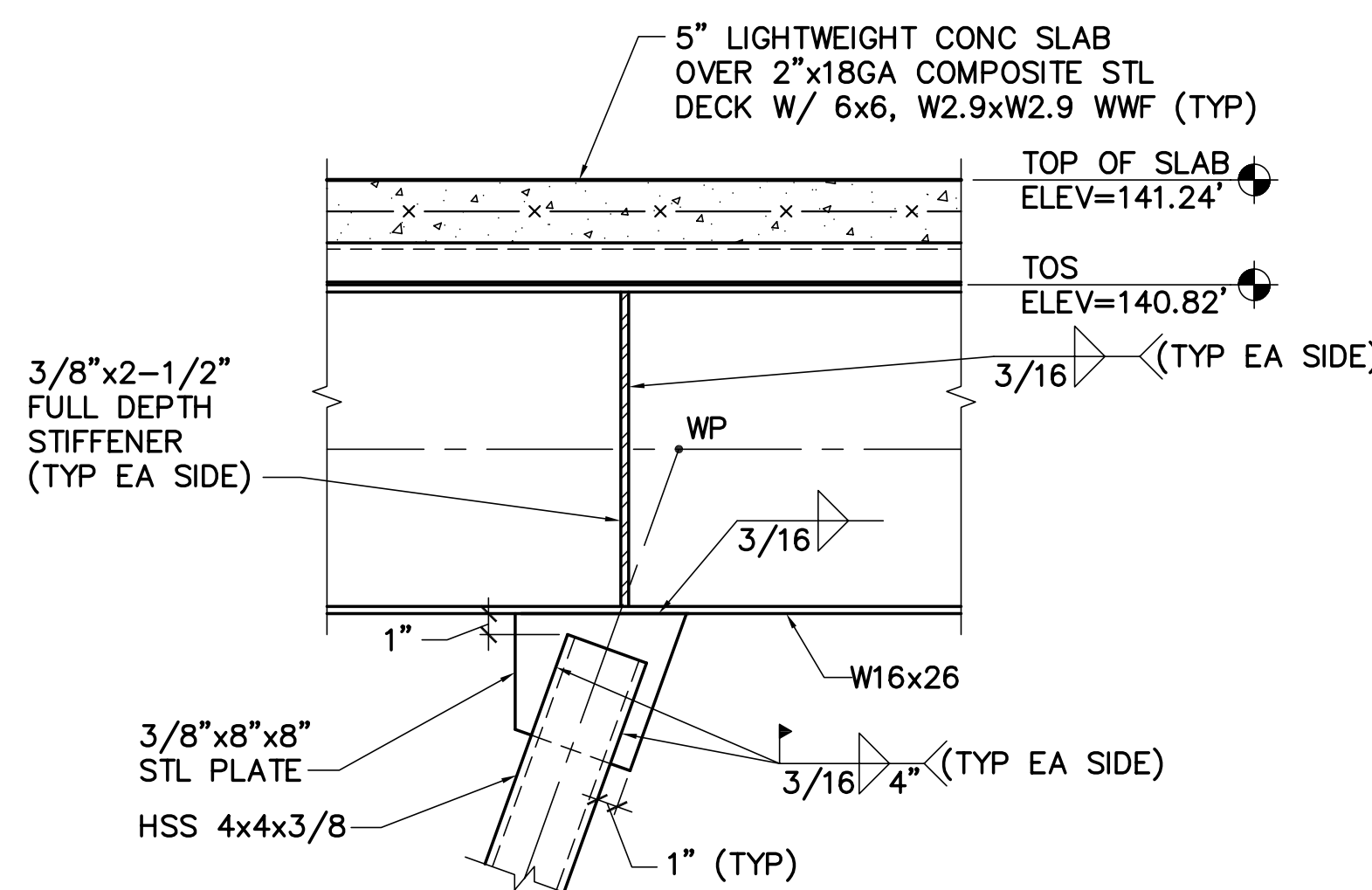
**3 STAIR TOWER BF2 ELEVATION**  
SF401/SF201 SCALE: 1/4"=1'-0"



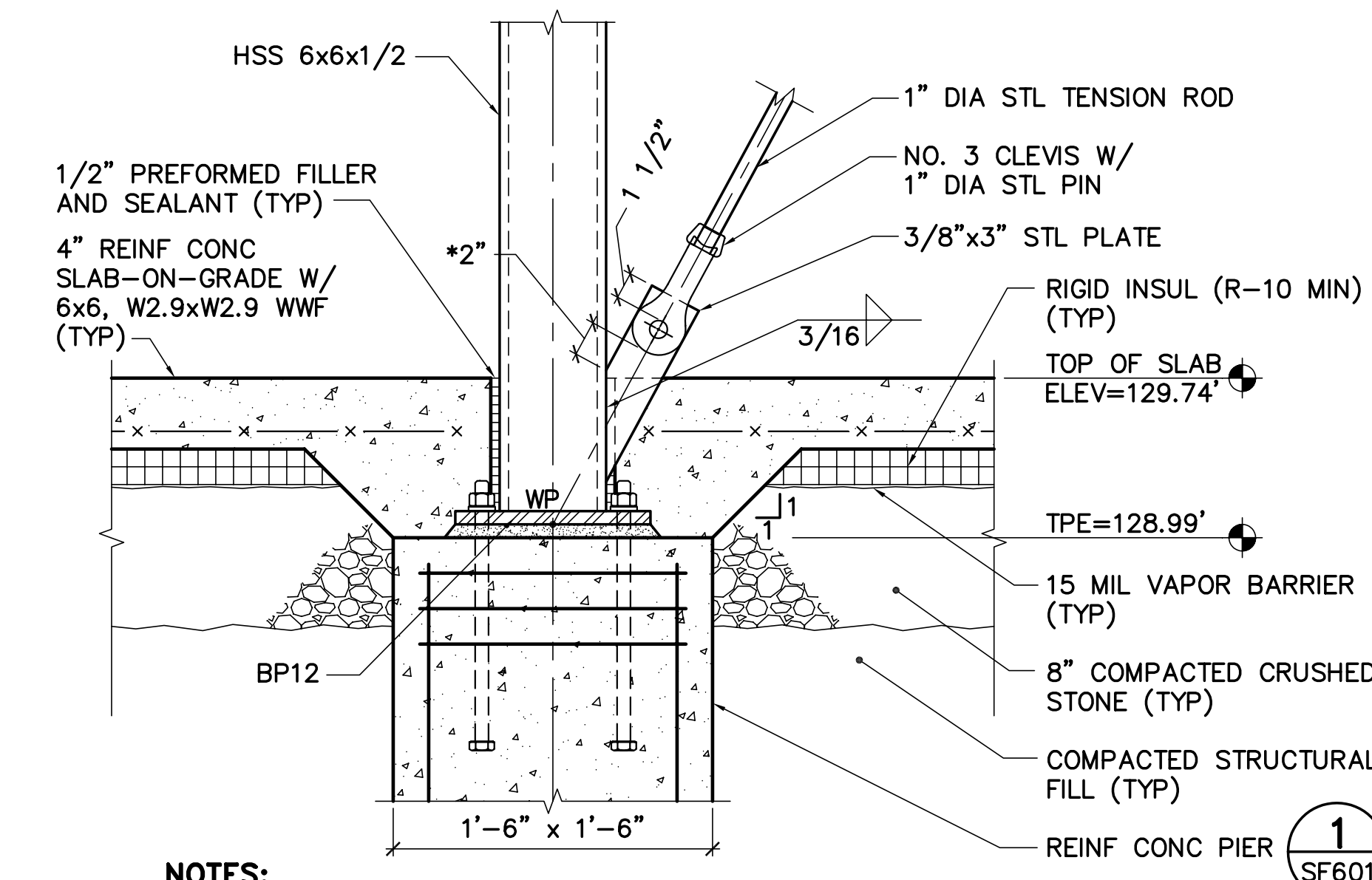
**4 STAIR TOWER BF3 ELEVATION**  
SF401/SF201 SCALE: 1/4"=1'-0"



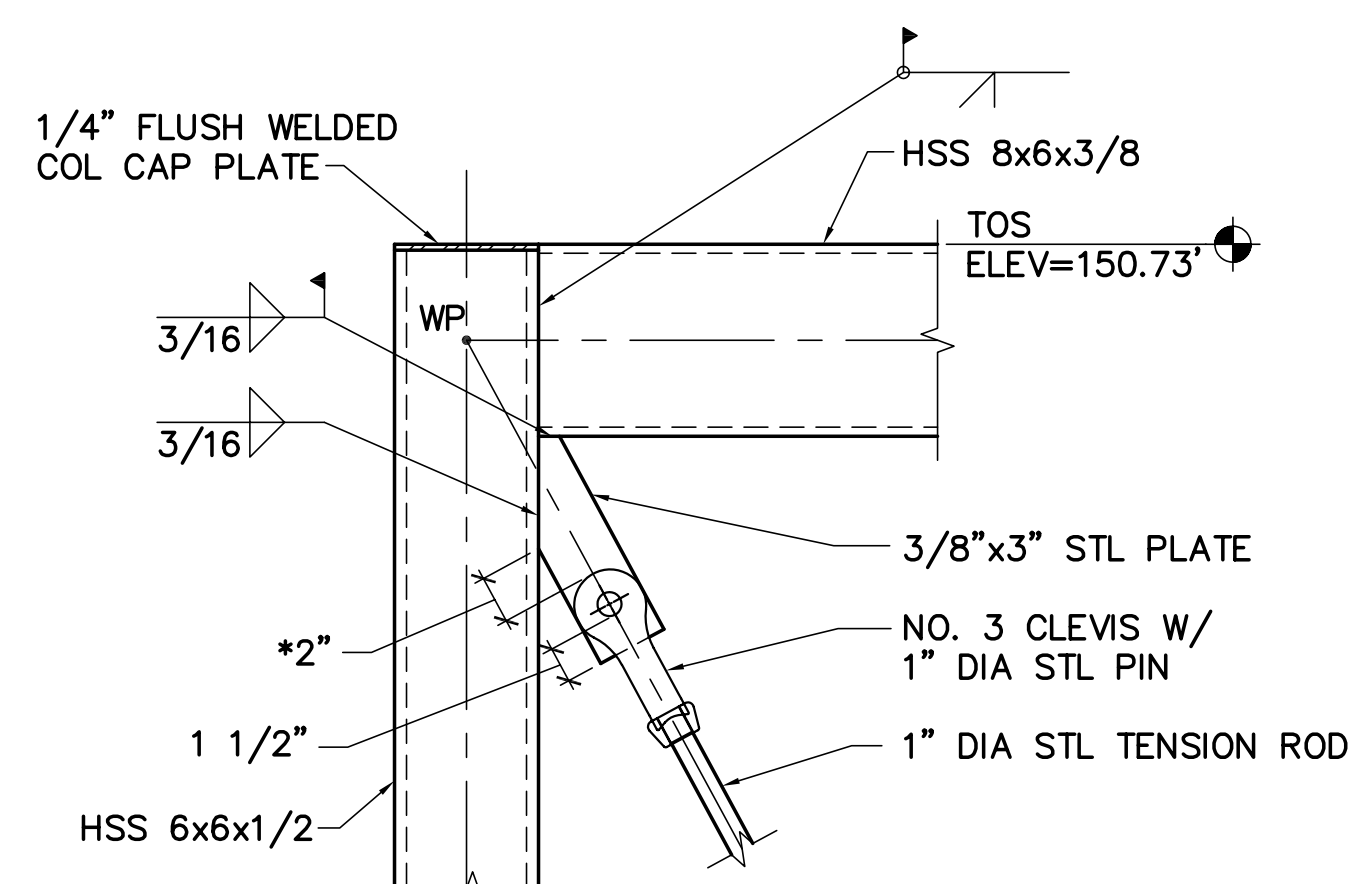
**5 HSS 4x4x3/8 BRACE CONN DETAIL**  
SF201 SCALE: 1-1/2"=1'-0"



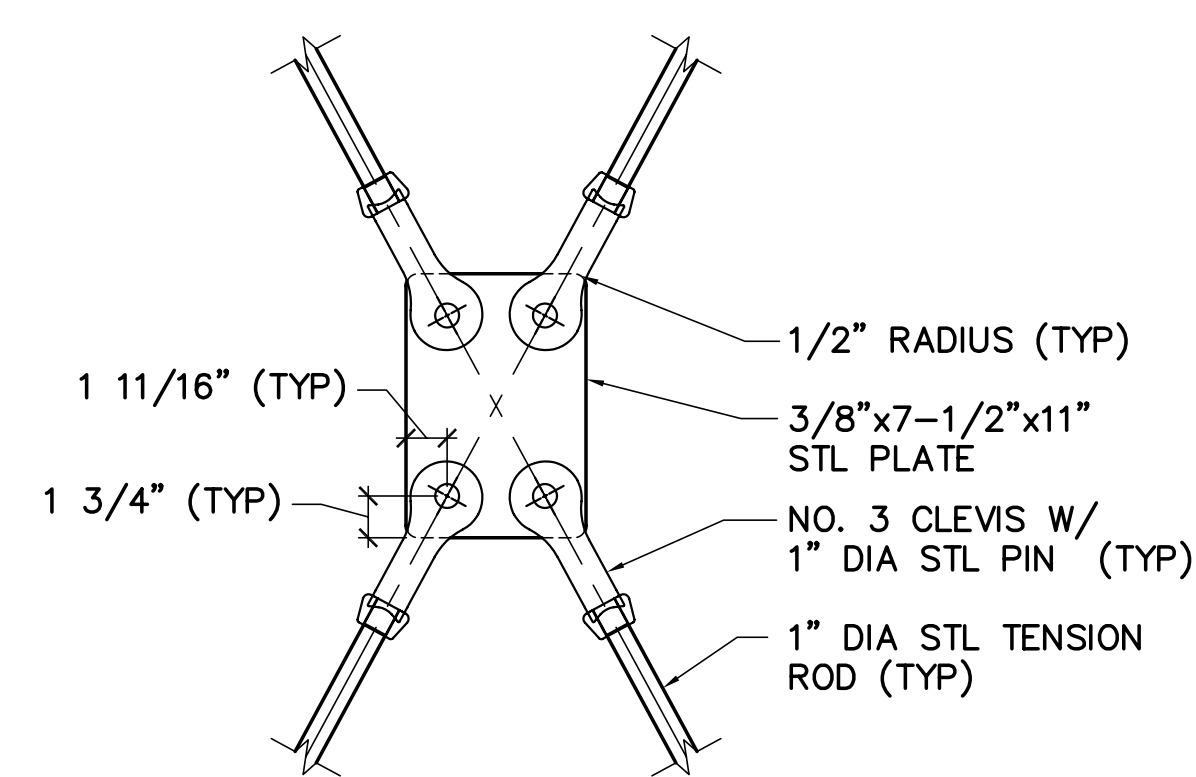
**6 HSS 4x4x3/8 BRACE CONN DETAIL**  
SF201 SCALE: 1-1/2"=1'-0"



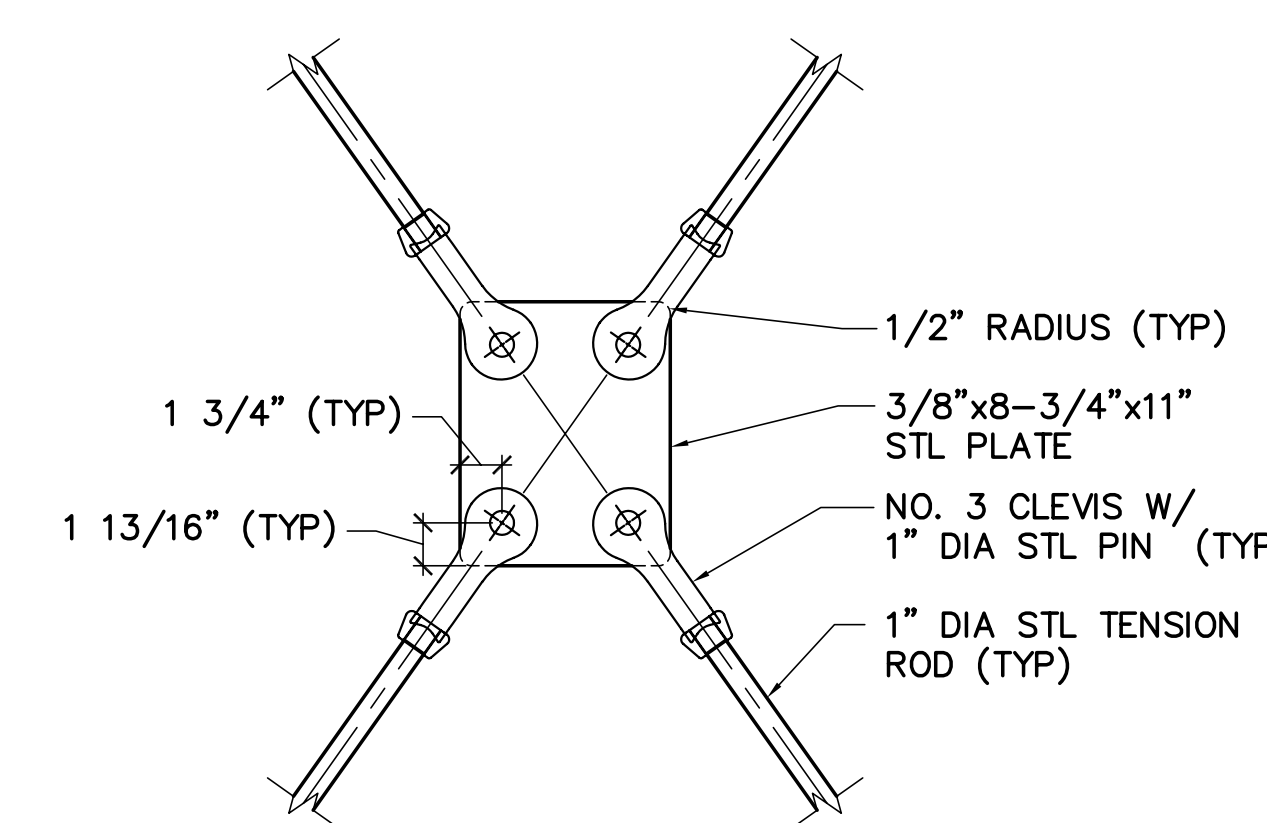
**7 1" DIA STL TENSION ROD CONN DETAIL**  
SF201 SCALE: 1-1/2"=1'-0"



**8 1" DIA STL TENSION ROD CONN DETAIL**  
SF201 SCALE: 1-1/2"=1'-0"

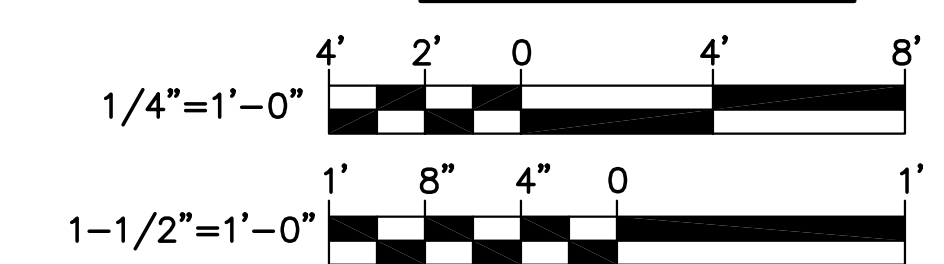


**9 1" DIA STL TENSION ROD CONN DETAIL**  
SF201 SCALE: 1-1/2"=1'-0"

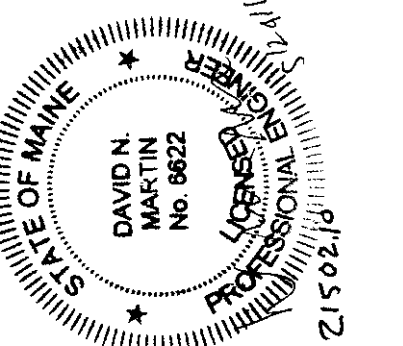


**10 1" DIA STL TENSION ROD CONN DETAIL**  
SF201 SCALE: 1-1/2"=1'-0"

**GRAPHIC SCALES**



CHECK GRAPHIC SCALES BEFORE USING



JEG  
MJC  
DNM  
21502.10  
DESIGNED BY:  
DRAWN BY:  
CHECKED BY:  
PROJECT:

UNIVERSITY OF NEW ENGLAND  
PORTLAND CAMPUS  
STEVEN AVENUE ARMORY  
716 STEVEN AVENUE  
PORTLAND, MAINE 04103  
(1/207)285-0171

RENOVATIONS TO THE  
STEVEN AVENUE ARMORY

BRACED  
FRAME  
ELEVATIONS  
AND DETAILS

SCALE: AS NOTED  
DATE: 05-24-16  
DWG. **SF201**  
SHEET: 32 OF 169