

1 ROOF FRAMING PART PLAN
SF104 SCALE: 1/8"=1'-0"
PLAN NORTH

GENERAL SHEET NOTE:

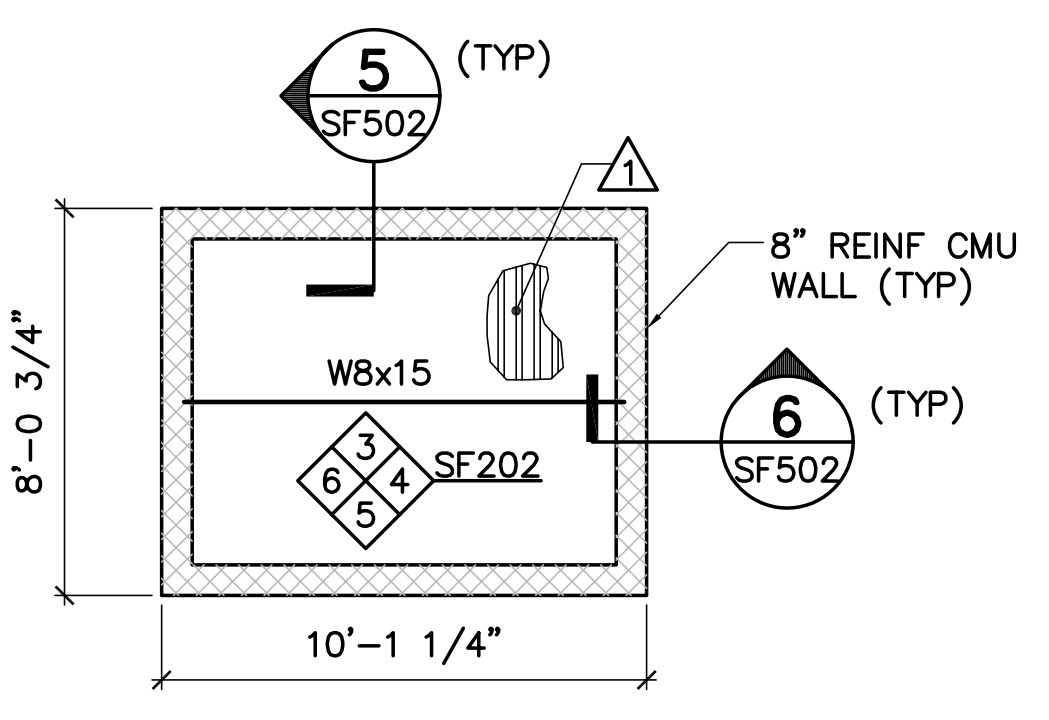
COORDINATE MECHANICAL OPENINGS THROUGH EXISTING CONCRETE SLAB/DECK WITH MECHANICAL DRAWINGS. SAWCUT AND REMOVE EXISTING CONCRETE SLAB/DECK WITHOUT DAMAGING EXISTING FRAMING AND ADJACENT EXISTING CONCRETE/DECK.

EXISTING KEYNOTES: (SHEETS SF103 AND SF104 ONLY)

- △ EXISTING 2-1/2"± DRAPED STEEL MESH/CONCRETE ROOF SLAB.
- △ EXISTING 8"± STEEL JOISTS AT 20"± ON-CENTER.
- △ EXISTING STEEL X-BRIDGING.
- △ EXISTING STEEL BRIDGING.
- △ EXISTING STEEL PIPE COLUMN.
- △ EXISTING STEEL HEADER.

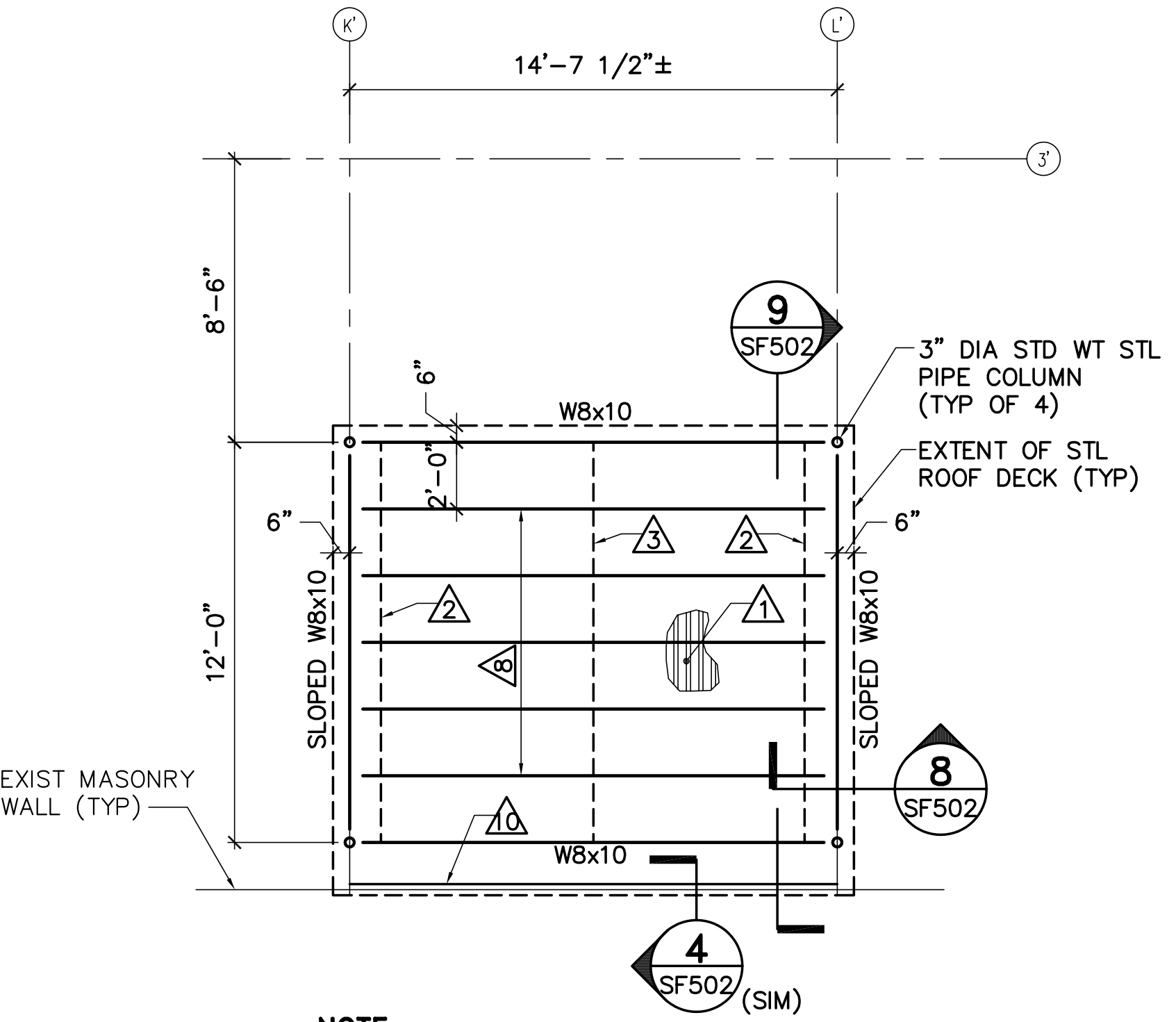
KEYNOTES: (SHEETS SF103 AND SF104 ONLY)

- △ 1-1/2"x18GA GALVANIZED STEEL ROOF DECK.
- △ CONTINUOUS HORIZONTAL UPLIFT BRIDGING AT FIRST PANEL POINT OF BOTTOM CHORD OF JOIST, INSTALLED PER THE MANUFACTURER'S PRINTED INSTRUCTIONS.
- △ BRIDGING INSTALLED PER THE MANUFACTURER'S PRINTED INSTRUCTIONS.
- △ 2x6x4x5/16 (LLV) HEADER. COORDINATE EXACT LOCATIONS WITH ARCHITECTURAL PLANS, MECHANICAL PLANS AND MANUFACTURER. SEE DETAIL 10/SF502.
- △ W8x10 HEADERS AT SKYLIGHT OPENING. SEE DETAILS 11/SF502 AND 12/SF502.
- △ 3-1/2" DIAMETER STANDARD WEIGHT STEEL PIPE COLUMN. SEE DETAIL 6/SF403.
- △ 3" DIAMETER STANDARD WEIGHT STEEL PIPE COLUMN. SEE DETAIL 7/SF403.
- △ 8K1 STEEL JOISTS AT 2'-0" ON-CENTER.
- △ 8K1 STEEL JOIST.
- △ 2x6x4x3/8 DECK SUPPORT ANGLE. SEE DETAIL 4/SF502.
- △ 8K1 TO EXISTING MASONRY WALL CONNECTION. SEE DETAIL 3/SF502.
- △ 2.5K1 STEEL JOIST SUBSTITUTE. SEE DETAIL 13/SF502 FOR CONNECTION TO MASONRY WALL AND DETAIL 2/SF502 (SIMILAR) FOR CONNECTION TO EXISTING STEEL BEAM.
- △ STEEL ROOF DECK PATCH. SEE DETAIL 1/SF504.
- △ W8x10 HEADER. SEE DETAIL 11/SF502 (SIMILAR) FOR EXTENDED SHEAR PLATE CONNECTION AT EXISTING W12x16±. COORDINATE LOCATION WITH MECHANICAL PLANS.
- △ ROOF HATCH. SEE DETAILS 2/SF504 AND 3/SF504 FOR ROOF HATCH OPENING DETAILS.
- △ 2x1x7/64 STEEL JOIST BRIDGING INSTALLED AT TOP AND BOTTOM CHORDS.
- △ CONCRETE ROOF SLAB PATCH. SEE DETAIL 14/SF502.



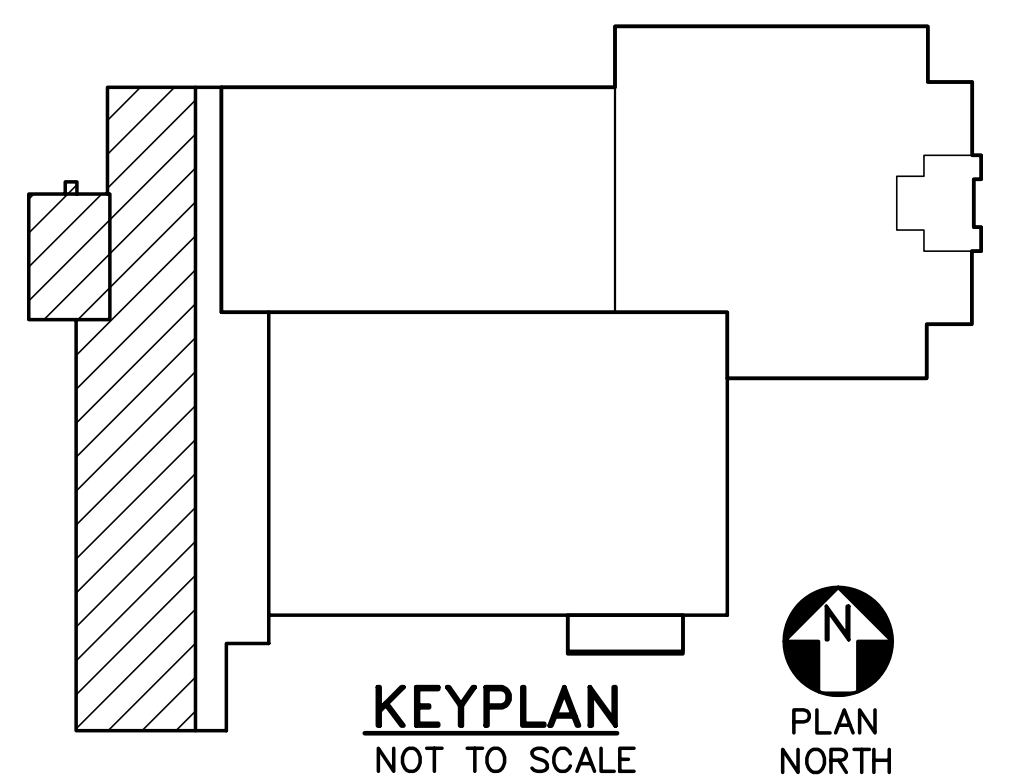
NOTE:
REFER TO SHEET SF202 FOR ELEVATOR MASONRY WALL ELEVATIONS.

2 ELEVATOR ROOF FRAMING PLAN
SF103/SF104 SCALE: 1/4"=1'-0"
PLAN NORTH

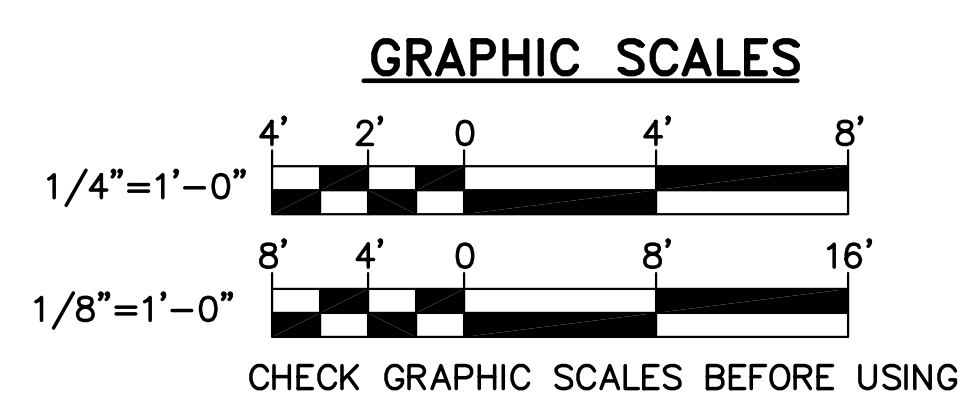


NOTE:
W8x10'S HAVE A FACTORED END REACTION OF 10 KIPS, UNLESS NOTED OTHERWISE.

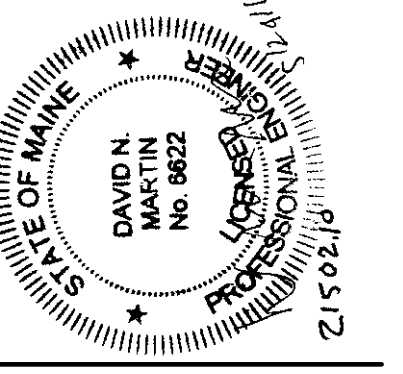
3 ENLARGED PARTIAL RAISED ROOF FRAMING PLAN
SF103/SF104 SCALE: 1/4"=1'-0"
PLAN NORTH



KEYPLAN
NOT TO SCALE
PLAN NORTH



GRAPHIC SCALES



JEG
MJC
DNM
21502.10
DESIGNED BY:
DRAWN BY:
CHECKED BY:
PROJECT:

UNIVERSITY OF NEW ENGLAND
PORTLAND CAMPUS
STEVEN AVENUE ARMORY
718 STEVENS AVE
PORTLAND, MAINE 04103
(1/207)283-0171

RENOVATIONS TO THE
STEVEN AVENUE ARMORY

ROOF FRAMING PART PLAN

SCALE: AS NOTED
DATE: 05-24-16

DWG. SF104

SHEET: 31 OF 169