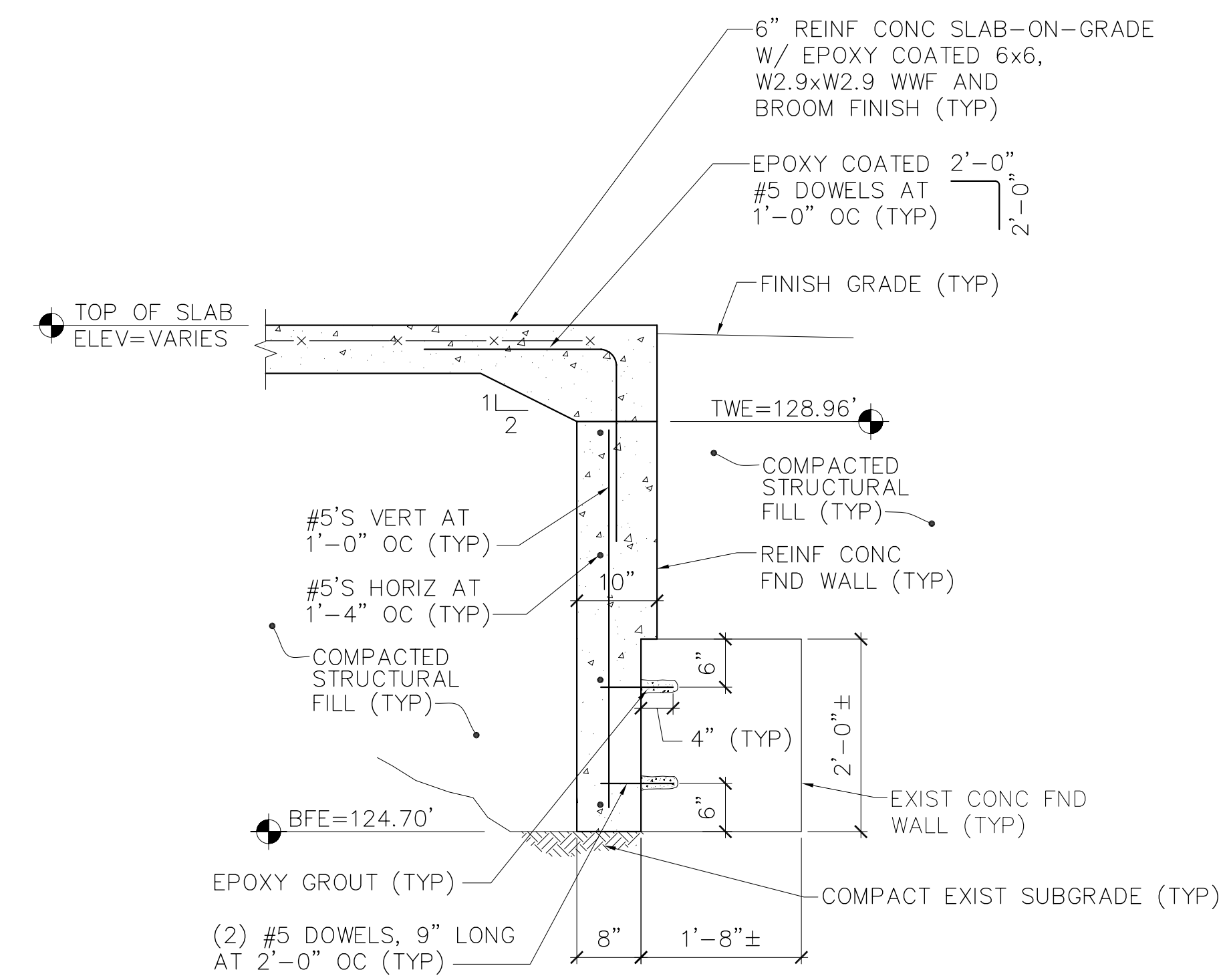


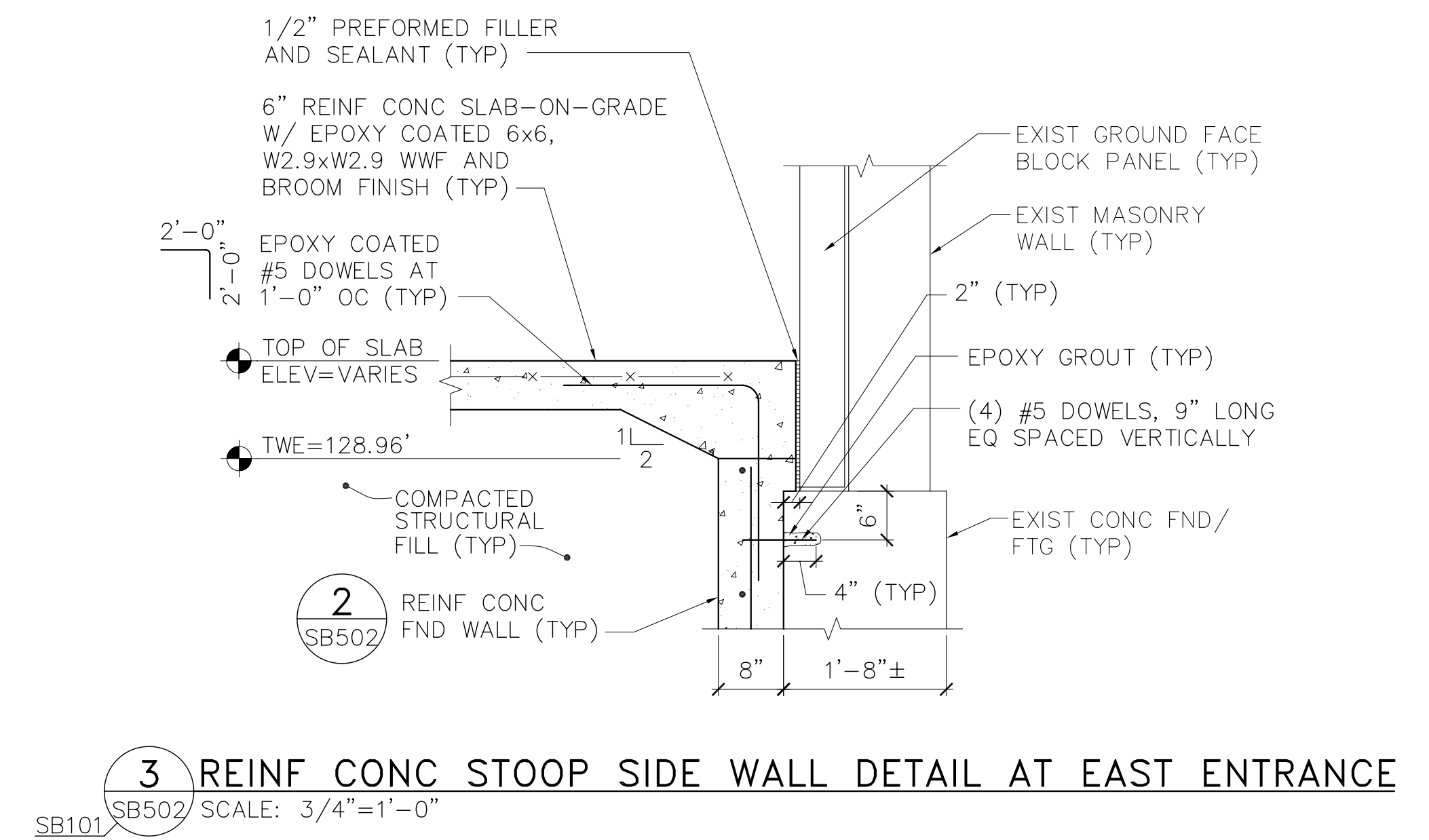
1 REIN CONC STOOP DETAIL AT EAST ENTRANCE

SB101\_CS103 SB502 SCALE: 3/4"=1'-0"



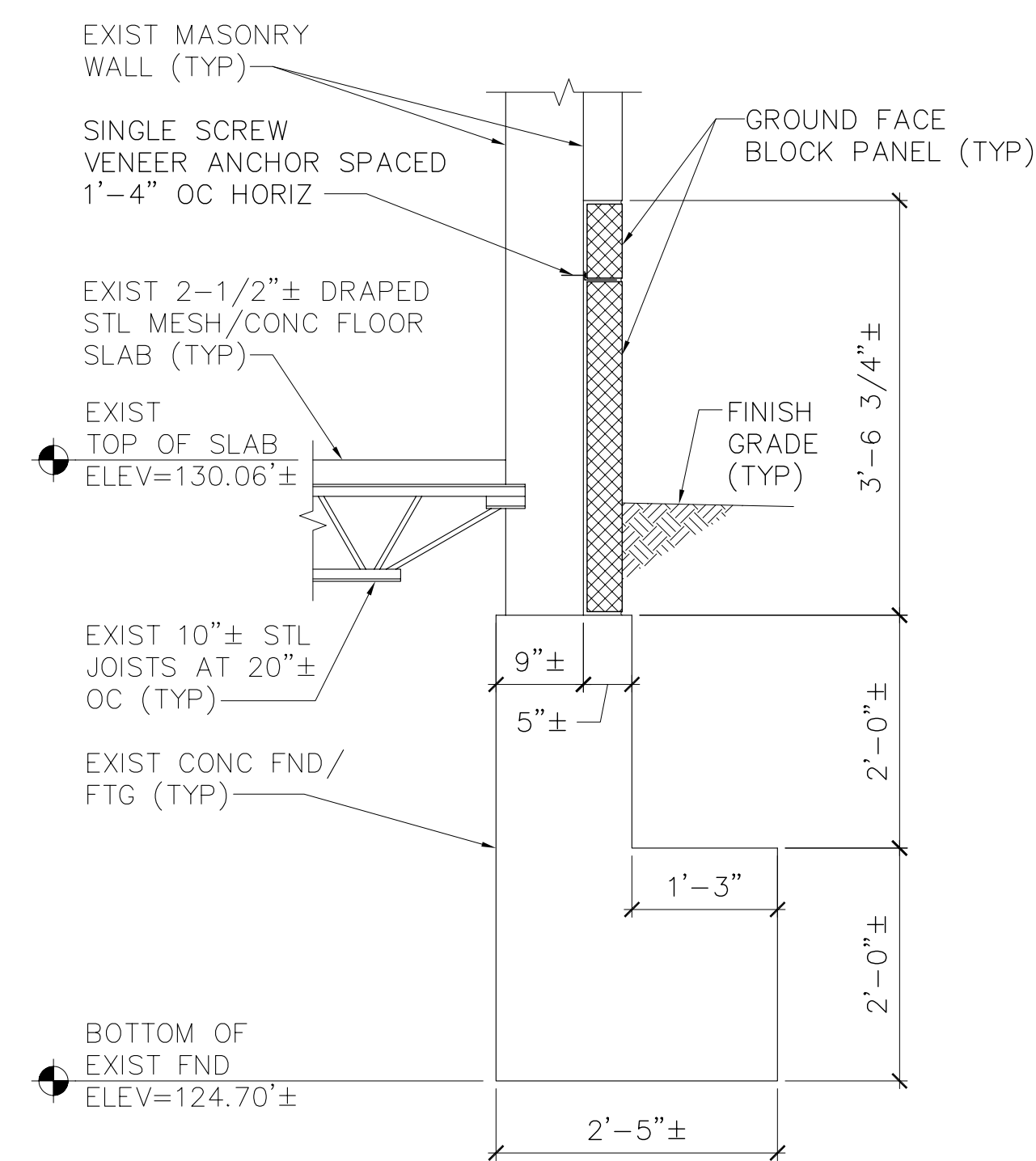
2 REIN CONC STOOP SIDE WALL DETAIL AT EAST ENTRANCE

SB101\_SB502 SB502 SCALE: 3/4"=1'-0"



3 REIN CONC STOOP SIDE WALL DETAIL AT EAST ENTRANCE

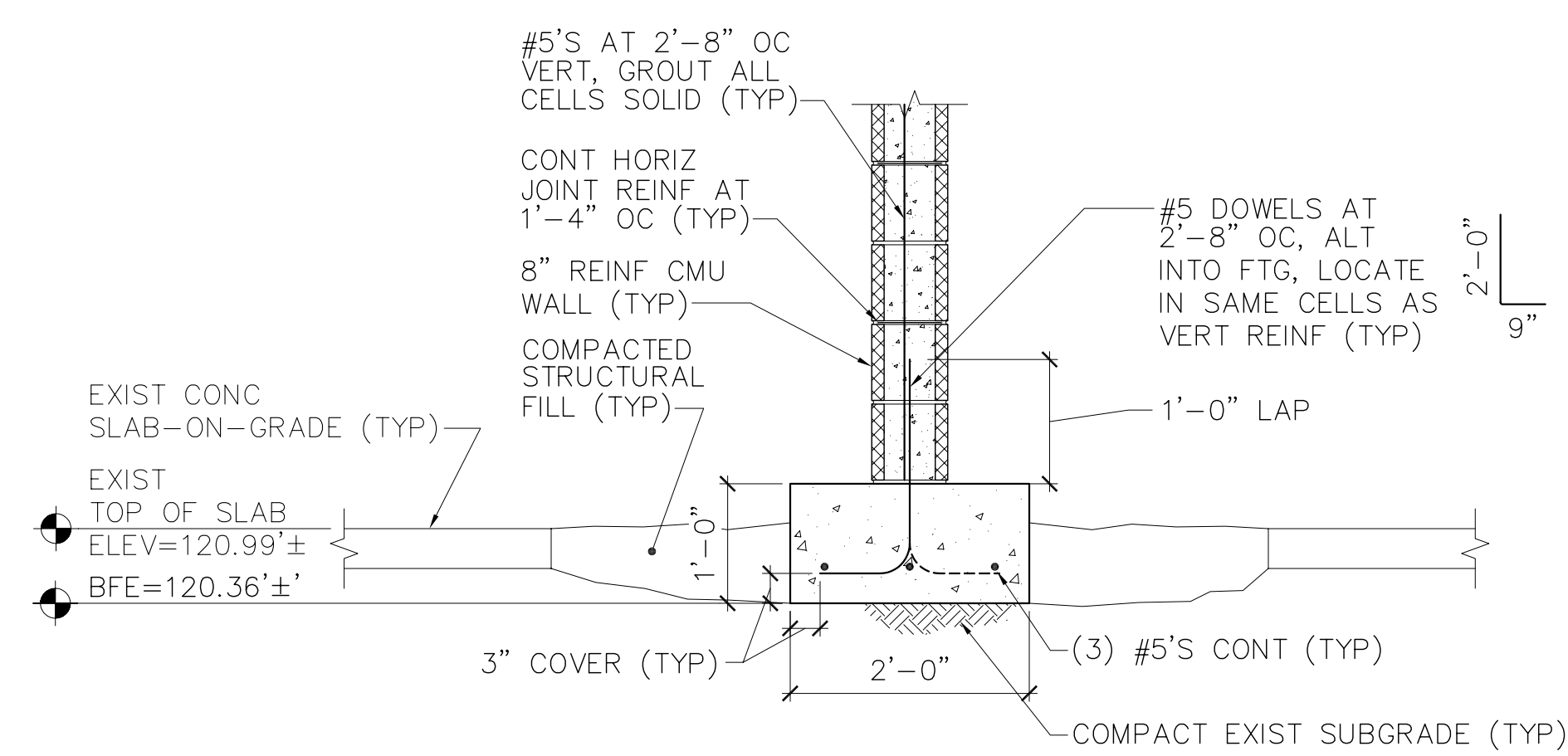
SB101\_SB502 SCALE: 3/4"=1'-0"



NOTE:  
INSTALL VENEER ANCHOR PER  
MANUFACTURER'S PRINTED INSTRUCTIONS.

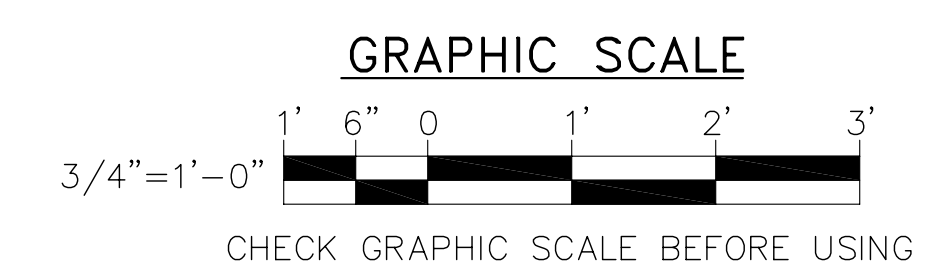
4 GROUND FACE BLOCK INFILL DETAIL AT EAST ENTRANCE

SB101\_SB502 SCALE: 3/4"=1'-0"



5 REIN CONC CMU WALL FTG DETAIL

SB101\_SF203 SB502 SCALE: 3/4"=1'-0"



CHECK GRAPHIC SCALE BEFORE USING