

JEG
 NJC
 DNM
 21502.10
 DESIGNED BY:
 DRAWN BY:
 CHECKED BY:
 PROJECT:

UNIVERSITY OF NEW ENGLAND
 PORTLAND CAMPUS
 STEVEN AVENUE ARMORY
 716 STEVENS AVE
 PORTLAND, MAINE 04103
 11207283-0171

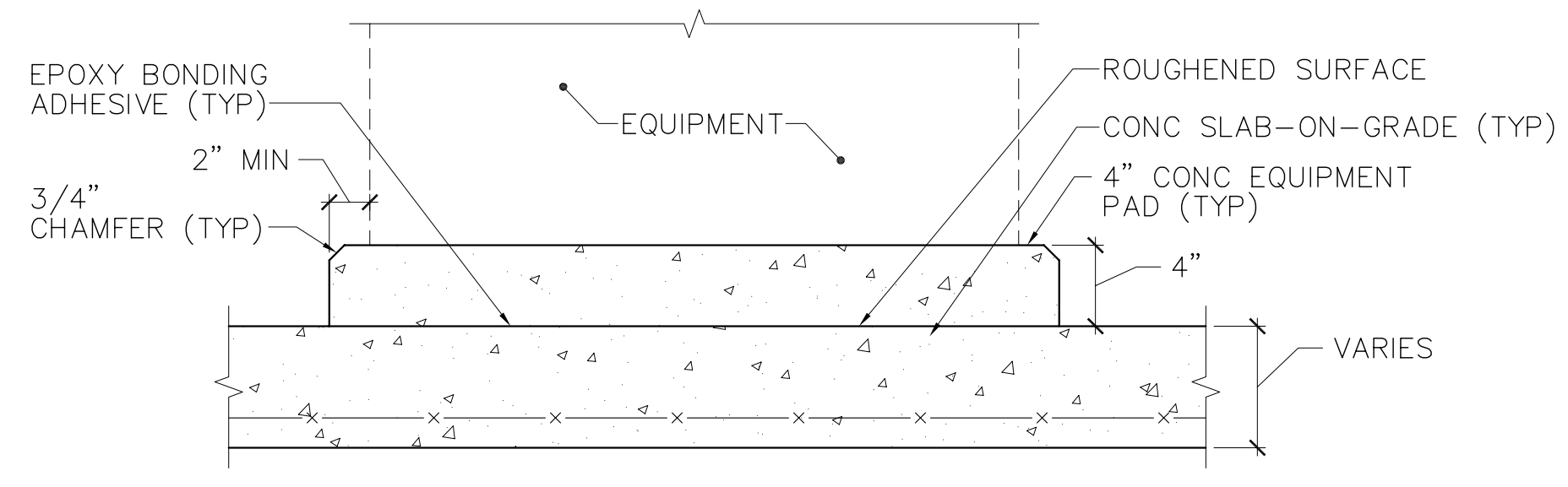
RENOVATIONS TO THE
 STEVENS AVENUE ARMORY

FOUNDATION
 DETAILS 1

SCALE: AS NOTED
 DATE: 05-24-16

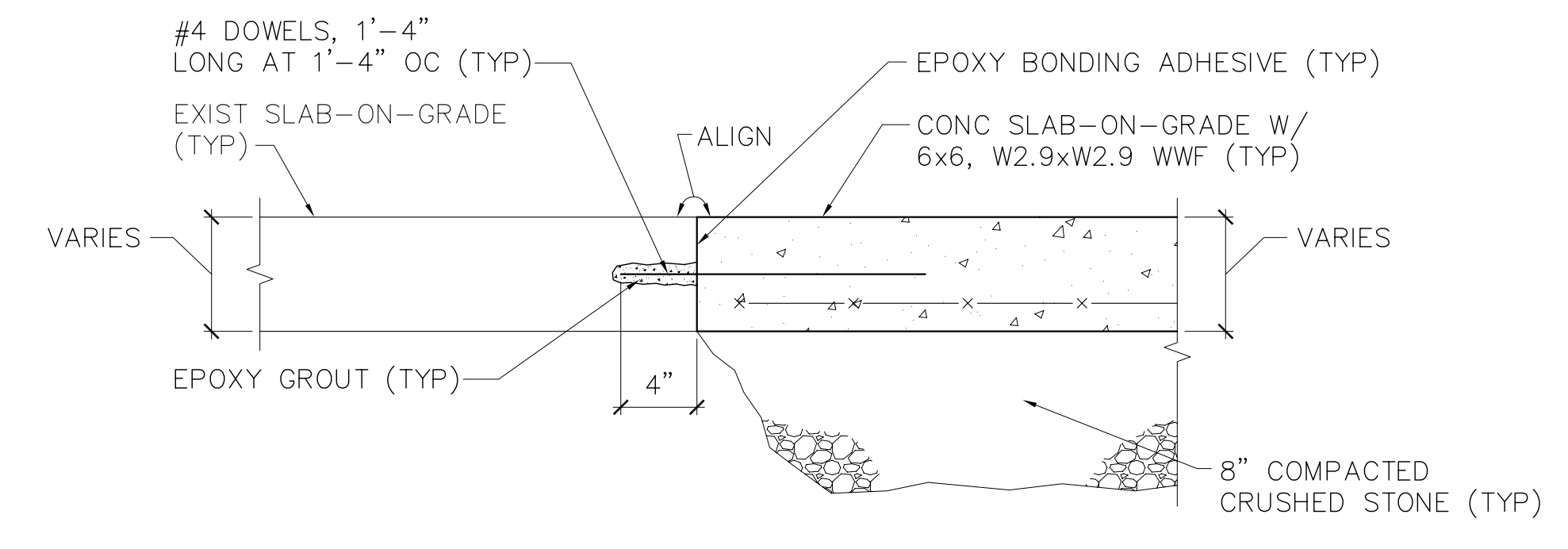
DWG. **SB501**

SHEET: 26 OF 169

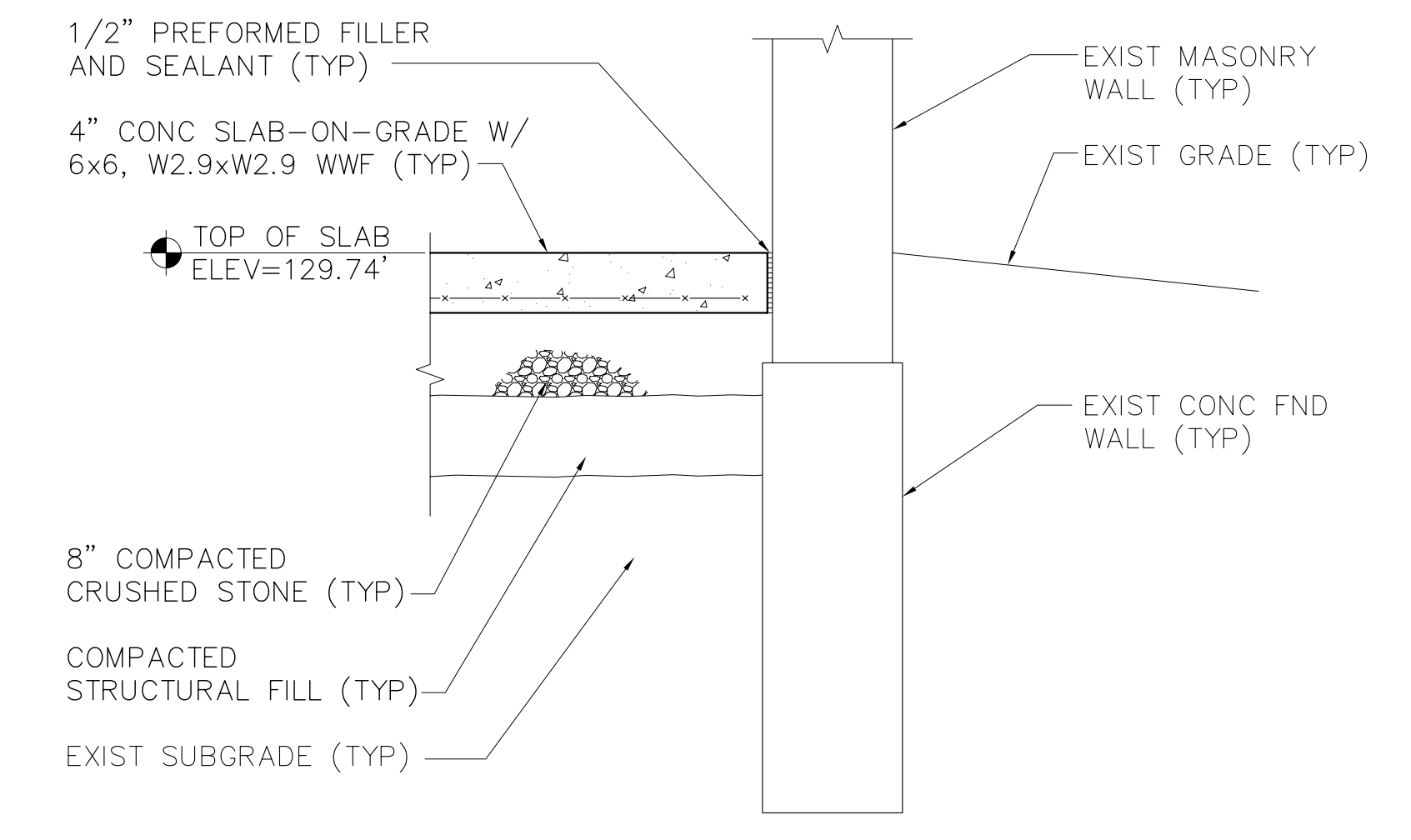


- NOTES:**
- COORDINATE EXACT SIZE AND LOCATION OF HOUSEKEEPING PAD WITH MECHANICAL, PLUMBING AND ELECTRICAL PLANS.
 - INSTALL EQUIPMENT PER MANUFACTURER'S PRINTED INSTRUCTIONS.

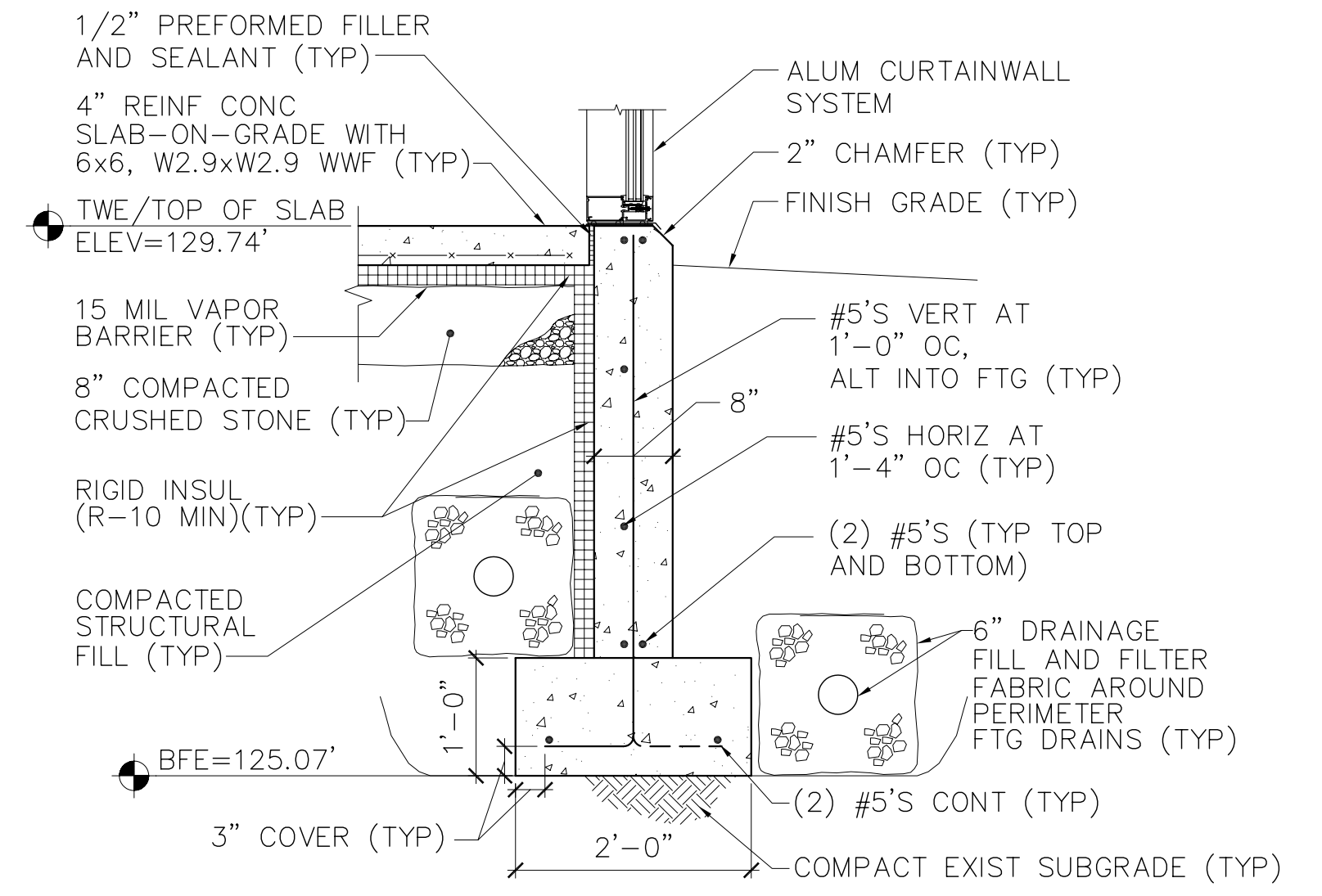
1 TYP CONC EQUIPMENT PAD
 SB501/ SCALE: 1-1/2"=1'-0"
 MP101



2 TYP SLAB PATCH DETAIL
 SB501/ SCALE: 1-1/2"=1'-0"
 SB101, SB402

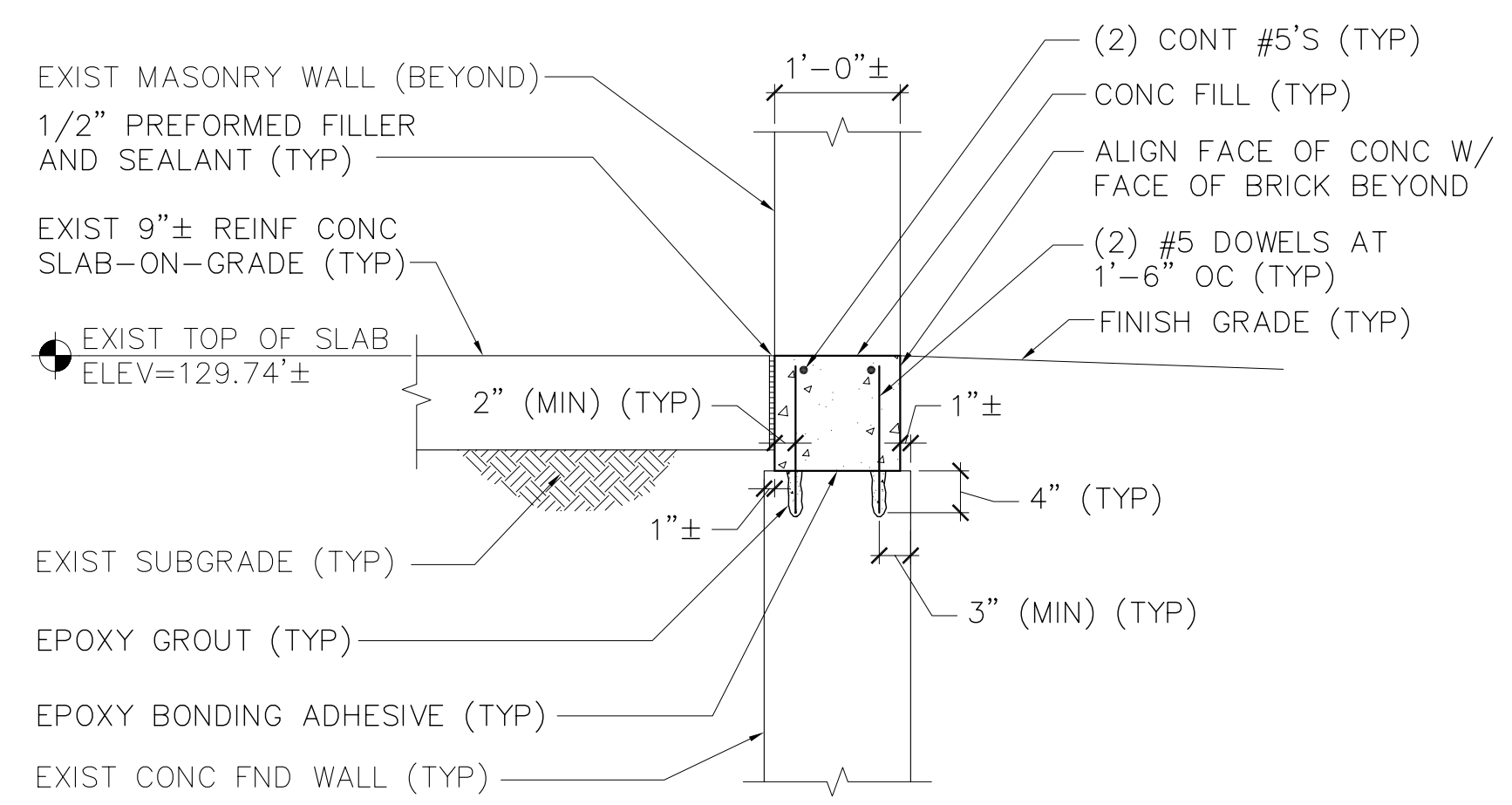


3 SLAB-ON-GRADE AT EXIST EXT FND WALL DETAIL
 SB501/ SCALE: 3/4"=1'-0"
 SB101

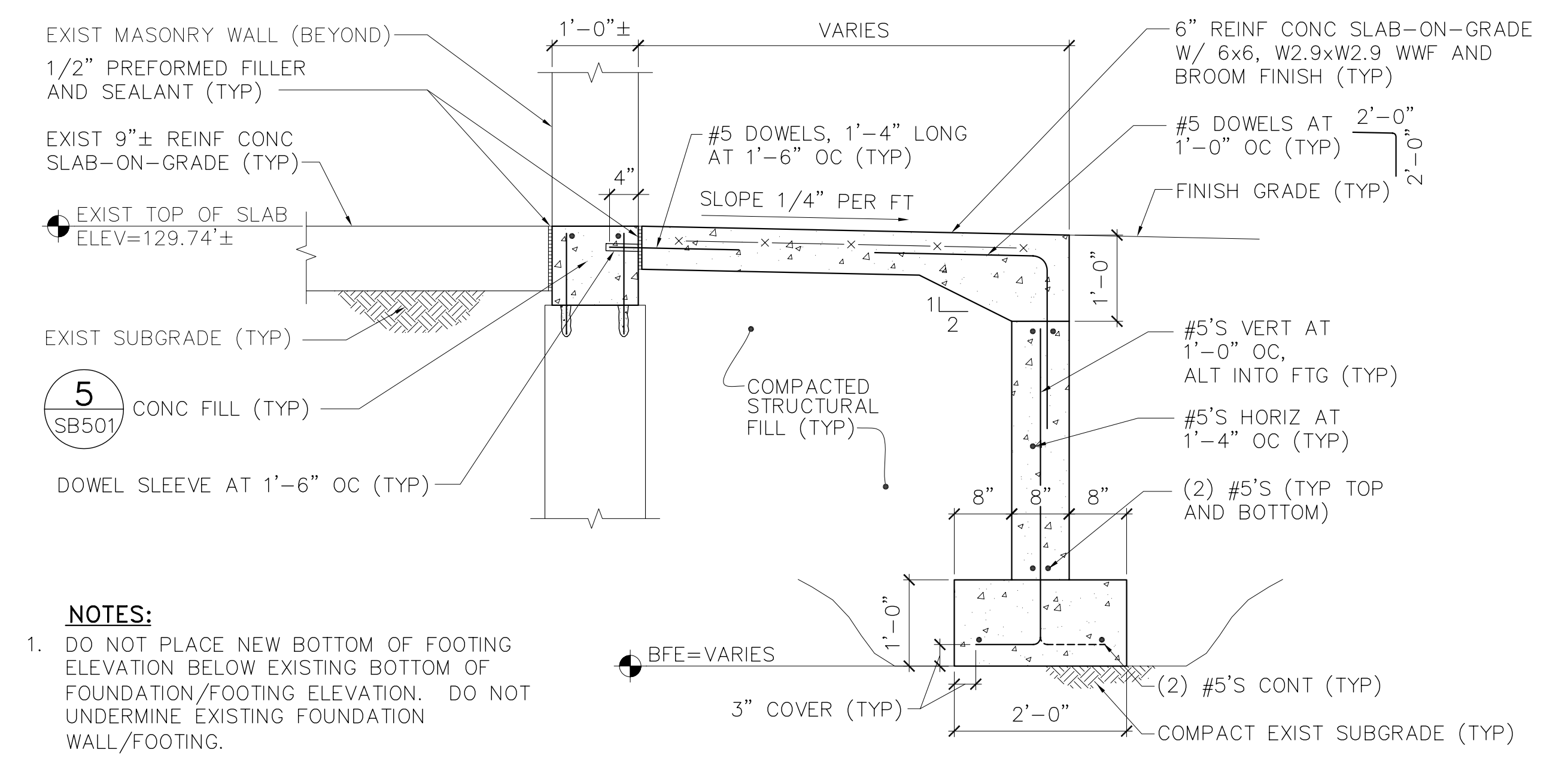


- NOTE:**
 REFER TO FOUNDATION PLAN FOR BOTTOM OF FOOTING ELEVATIONS.

4 TYP REIN CONC FND WALL DETAIL AT STAIR TOWER
 SB501/ SCALE: 3/4"=1'-0"
 SB402

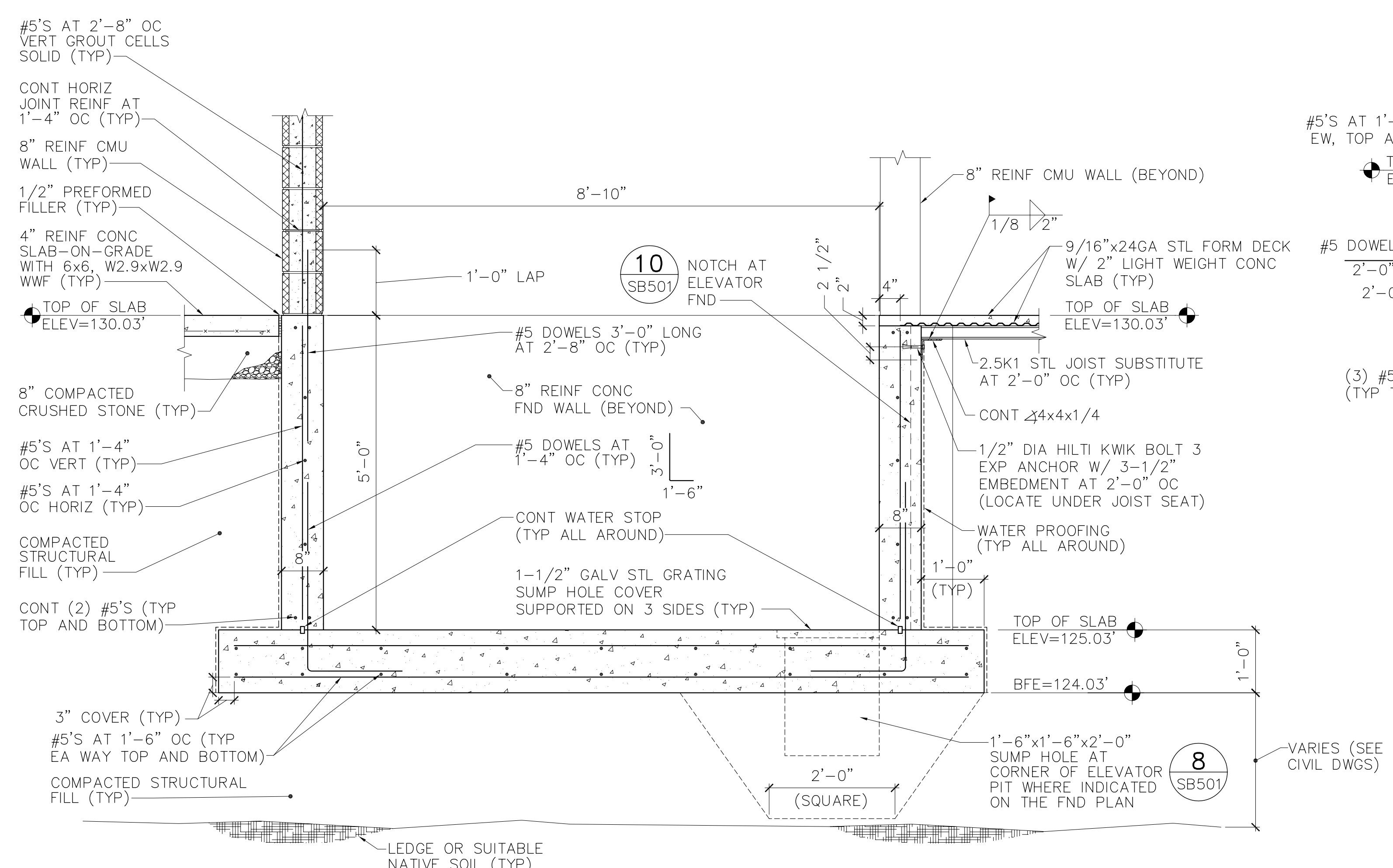


5 TYP CONC FILL AT EXIST FND WALL AT EXT DOOR DETAIL
 SB501/ SCALE: 3/4"=1'-0"
 SB101

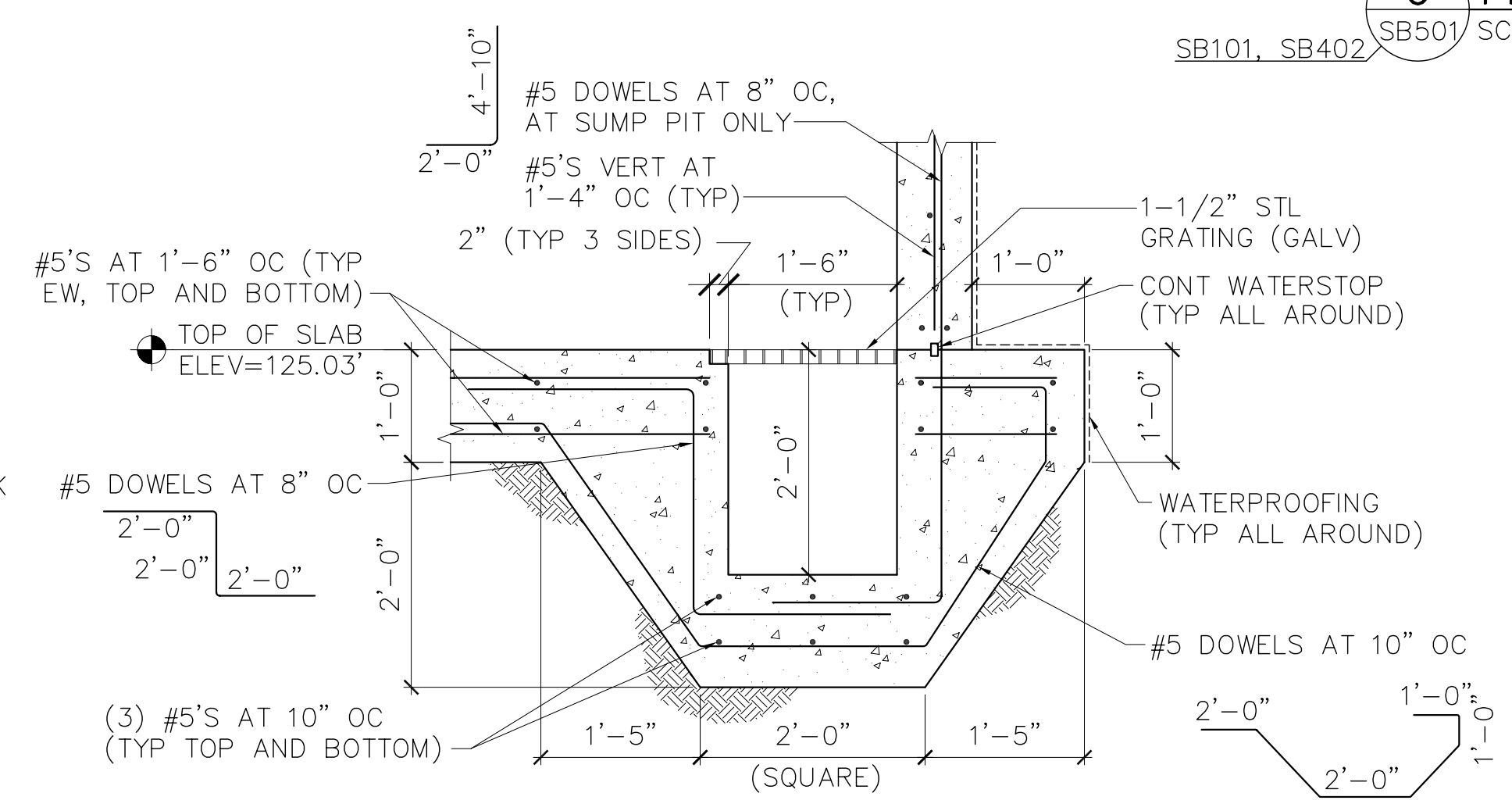


- NOTES:**
- DO NOT PLACE NEW BOTTOM OF FOOTING ELEVATION BELOW EXISTING BOTTOM OF FOUNDATION/FOOTING ELEVATION. DO NOT UNDERMINE EXISTING FOUNDATION WALL/FOOTING.
 - REFER TO SHEET SB101 FOR STOOP SIZE.

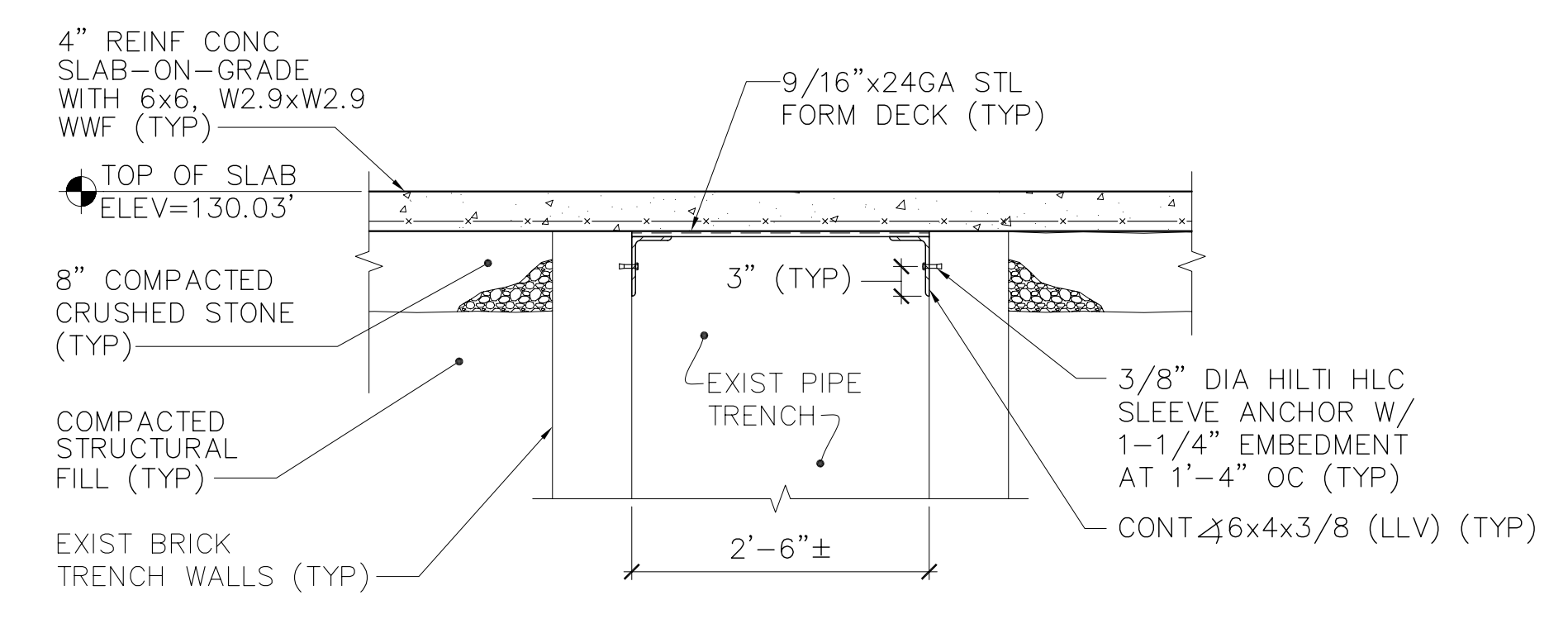
6 TYP REIN CONC STOOP DETAIL
 SB501/ SCALE: 3/4"=1'-0"
 SB101, SB402



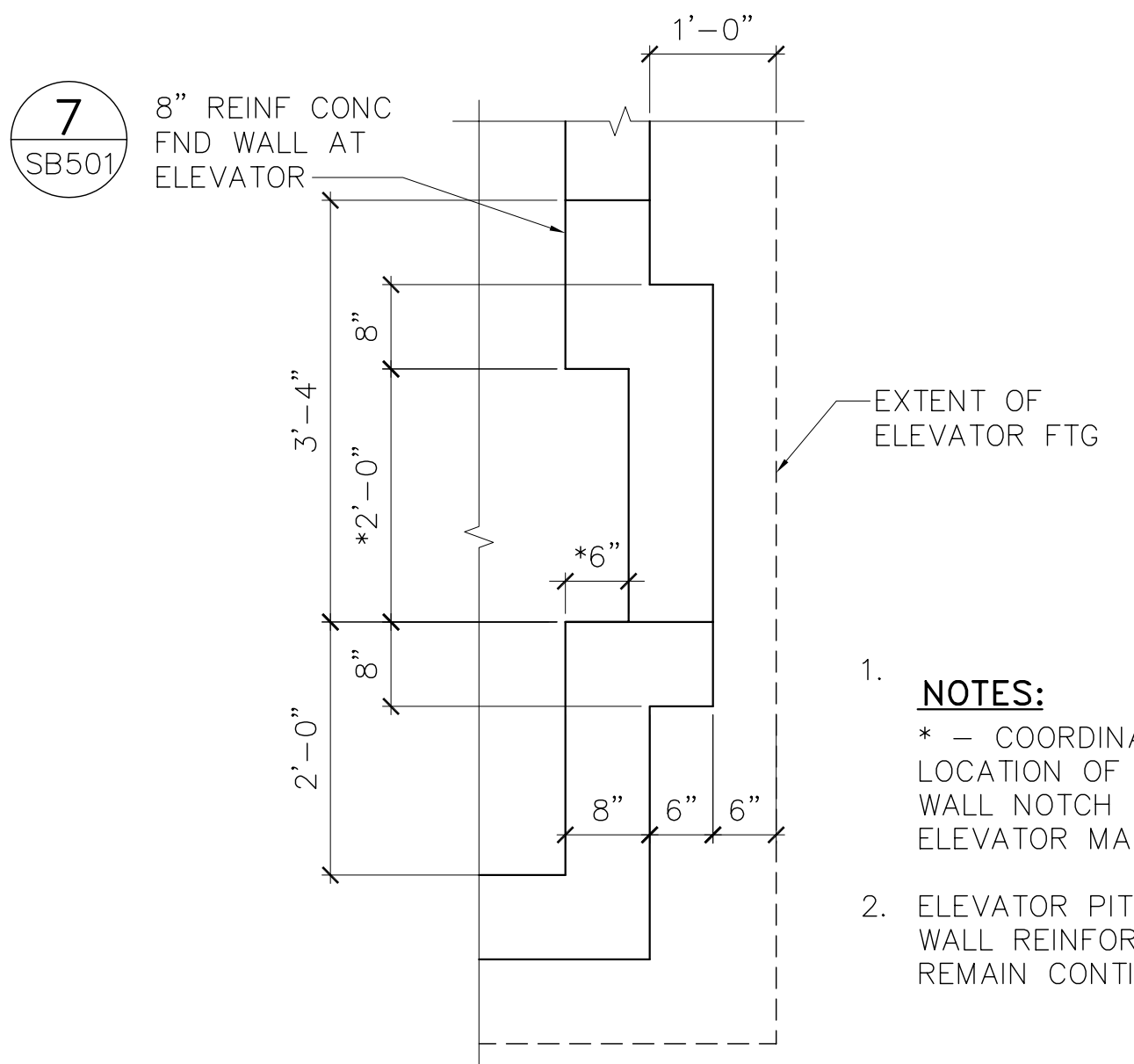
7 TYP ELEVATOR SECTION
 SB501/ SCALE: 3/4"=1'-0"
 SB101, SB501, SF101



8 TYP ELEVATOR SUMP PIT DETAIL
 SB501/ SCALE: 3/4"=1'-0"
 SB101, SB501



9 SLAB DETAIL AT EXISTING PIPE TRENCH
 SB501/ SCALE: 3/4"=1'-0"
 SB101



- NOTES:**
- COORDINATE SIZE AND LOCATION OF ELEVATOR PIT WALL NOTCH WITH ELEVATOR MANUFACTURER.
 - ELEVATOR PIT FOUNDATION WALL REINFORCING SHALL REMAIN CONTINUOUS.

10 ELEVATOR PIT FND NOTCH DETAIL
 SB501/ SCALE: 3/4"=1'-0"
 SB501, SF202

