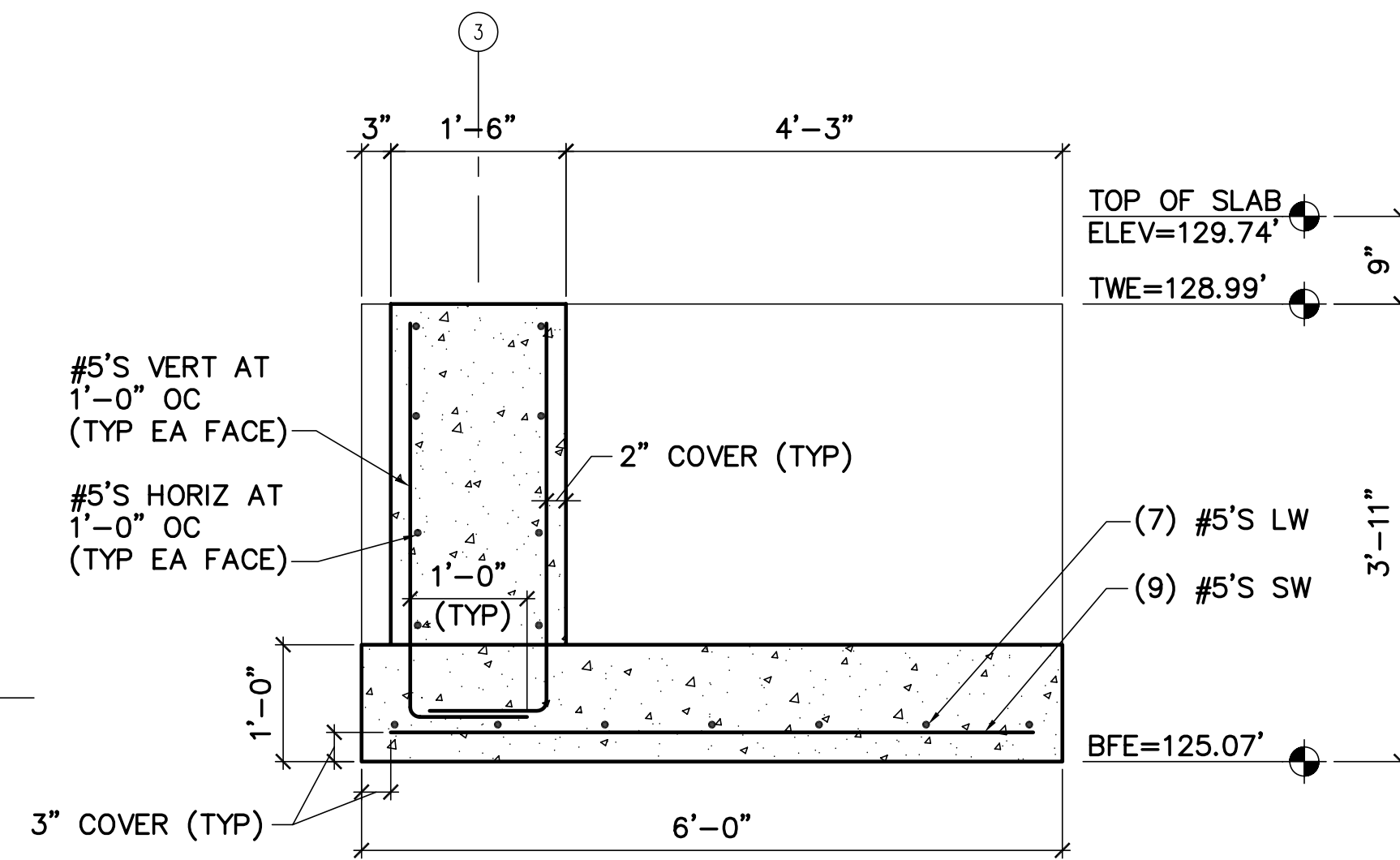
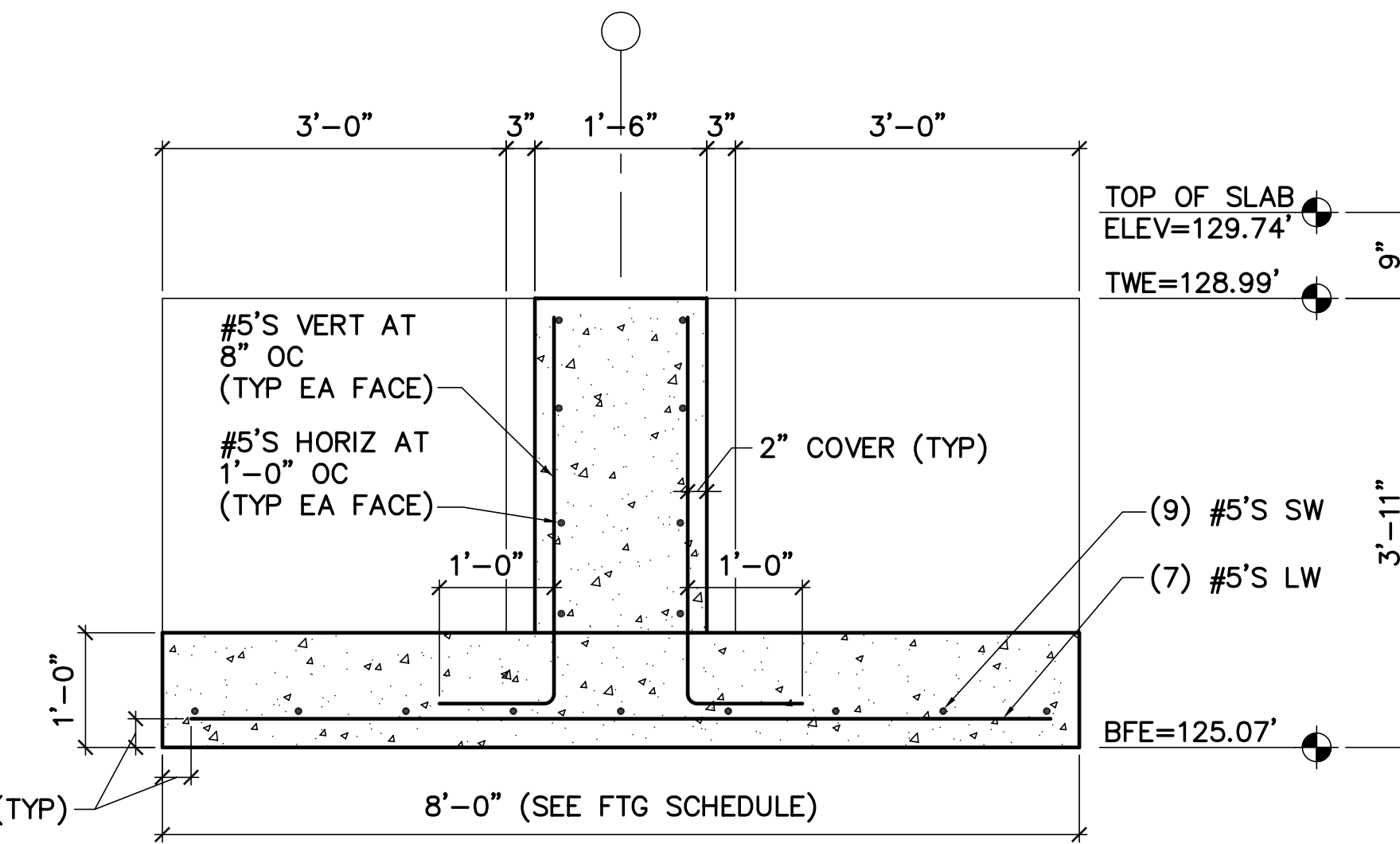


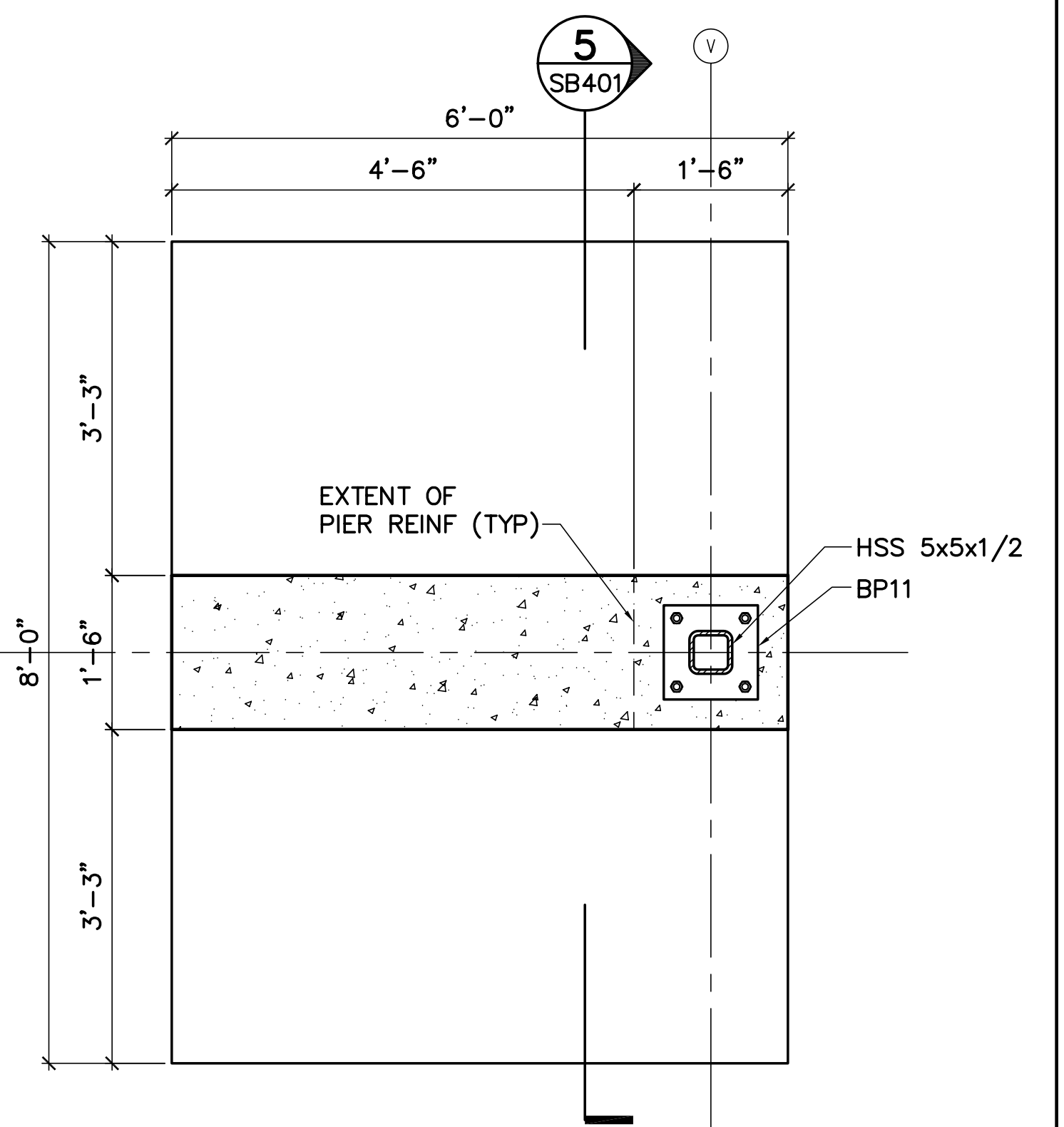
1 FOOTING "F" PLAN
SB101/SB401 SCALE: 3/4"=1'-0"



2 FOOTING "F" SECTION 1
SB401 SCALE: 3/4"=1'-0"

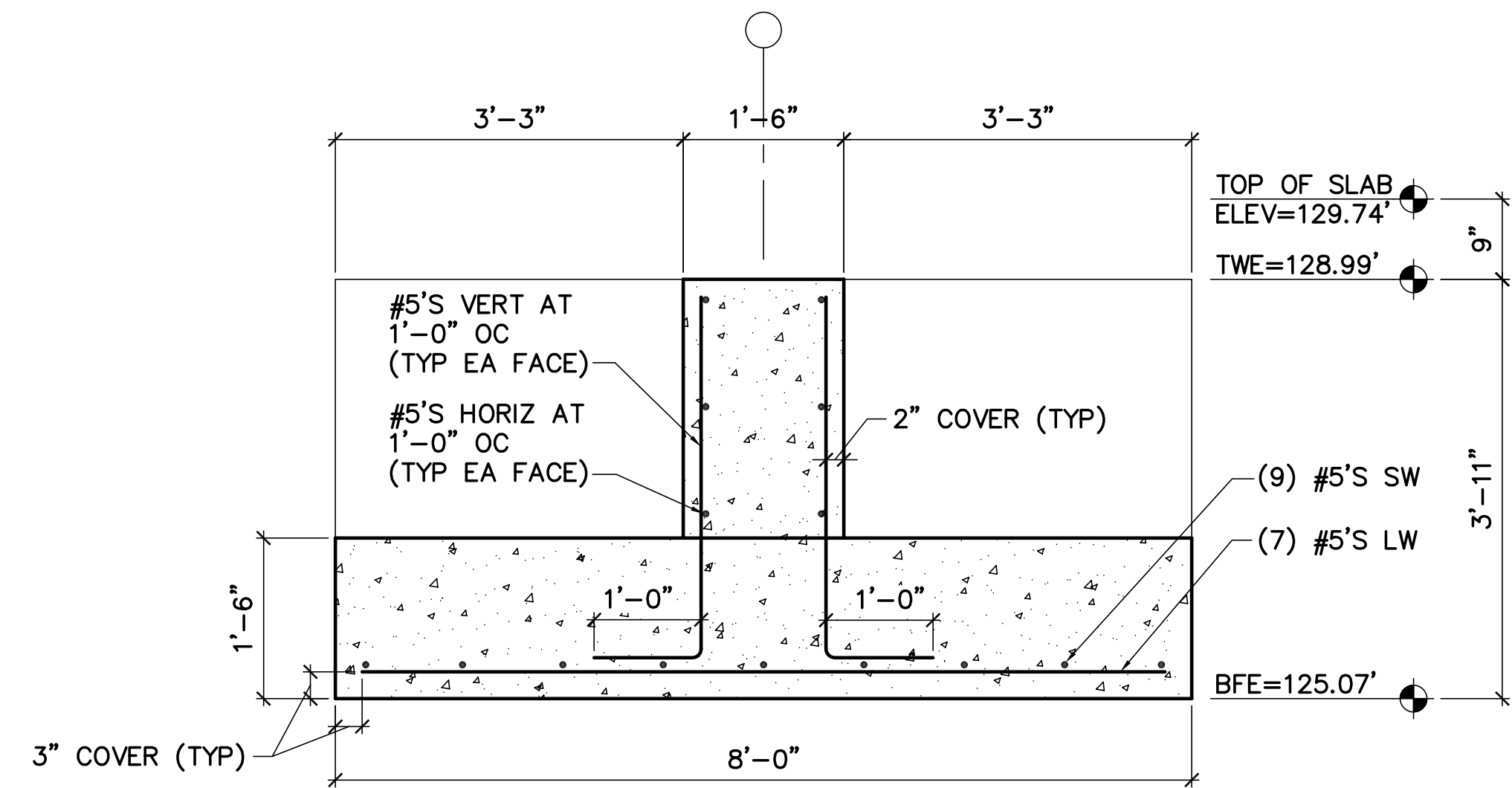


3 FOOTING "F" SECTION 2
SB401 SCALE: 3/4"=1'-0"



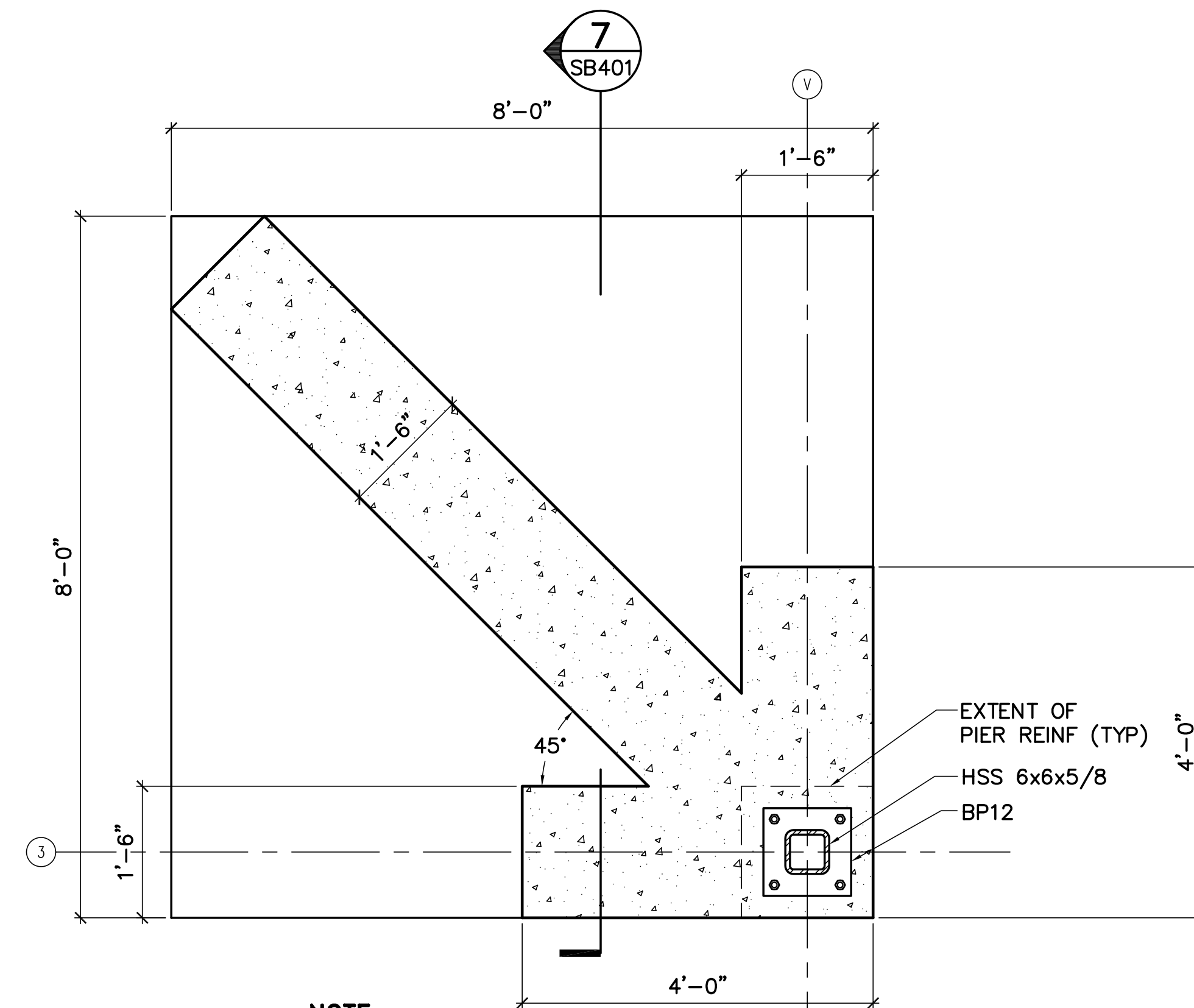
4 FOOTING "G" PLAN
SB101/SB401 SCALE: 3/4"=1'-0"

NOTE:
FOOTING SIMILAR AT COLUMN L/9.



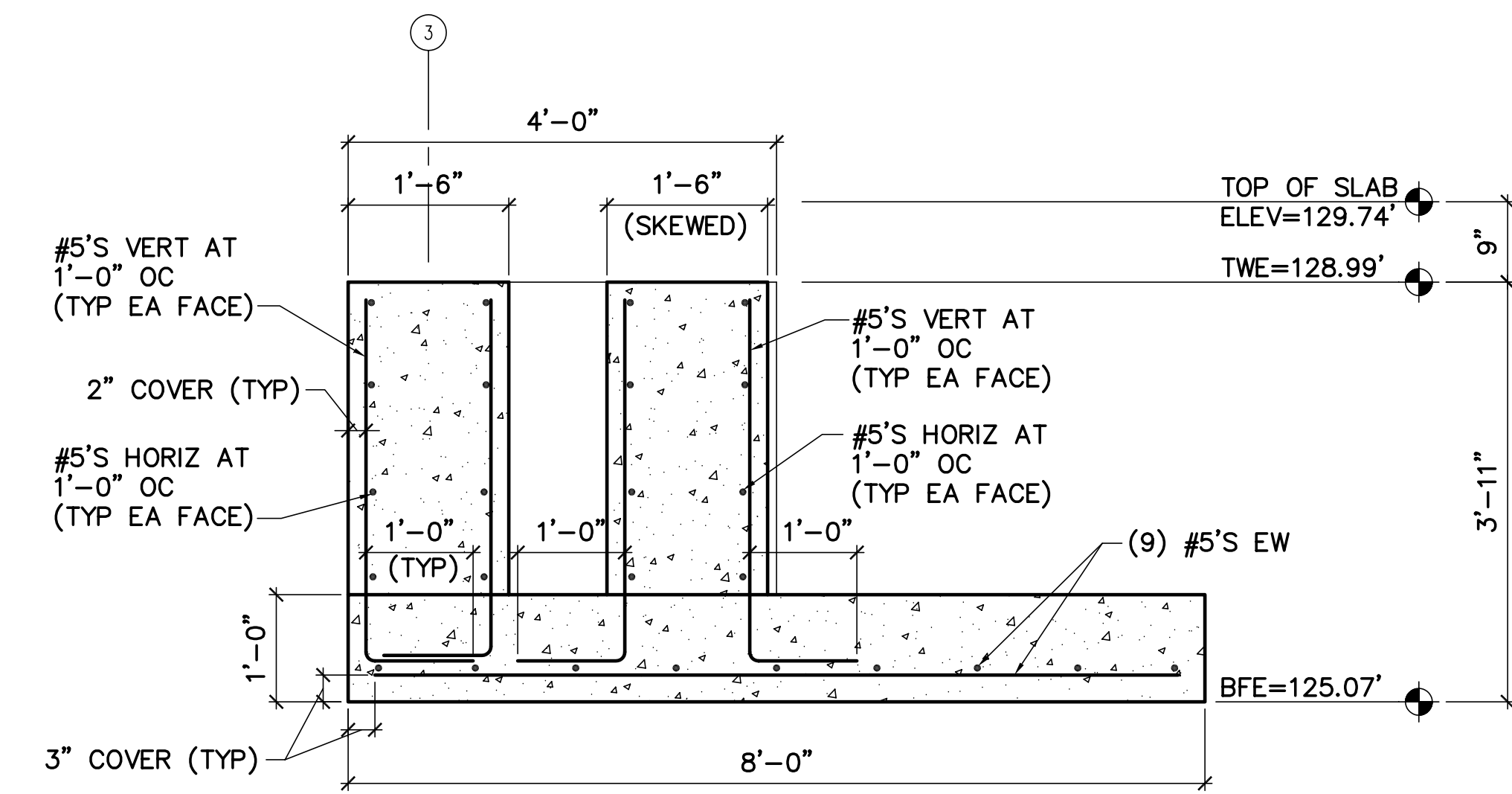
5 FOOTING "G" SECTION
SB401 SCALE: 3/4"=1'-0"

NOTE:
FOOTING SIMILAR AT COLUMN L/9.



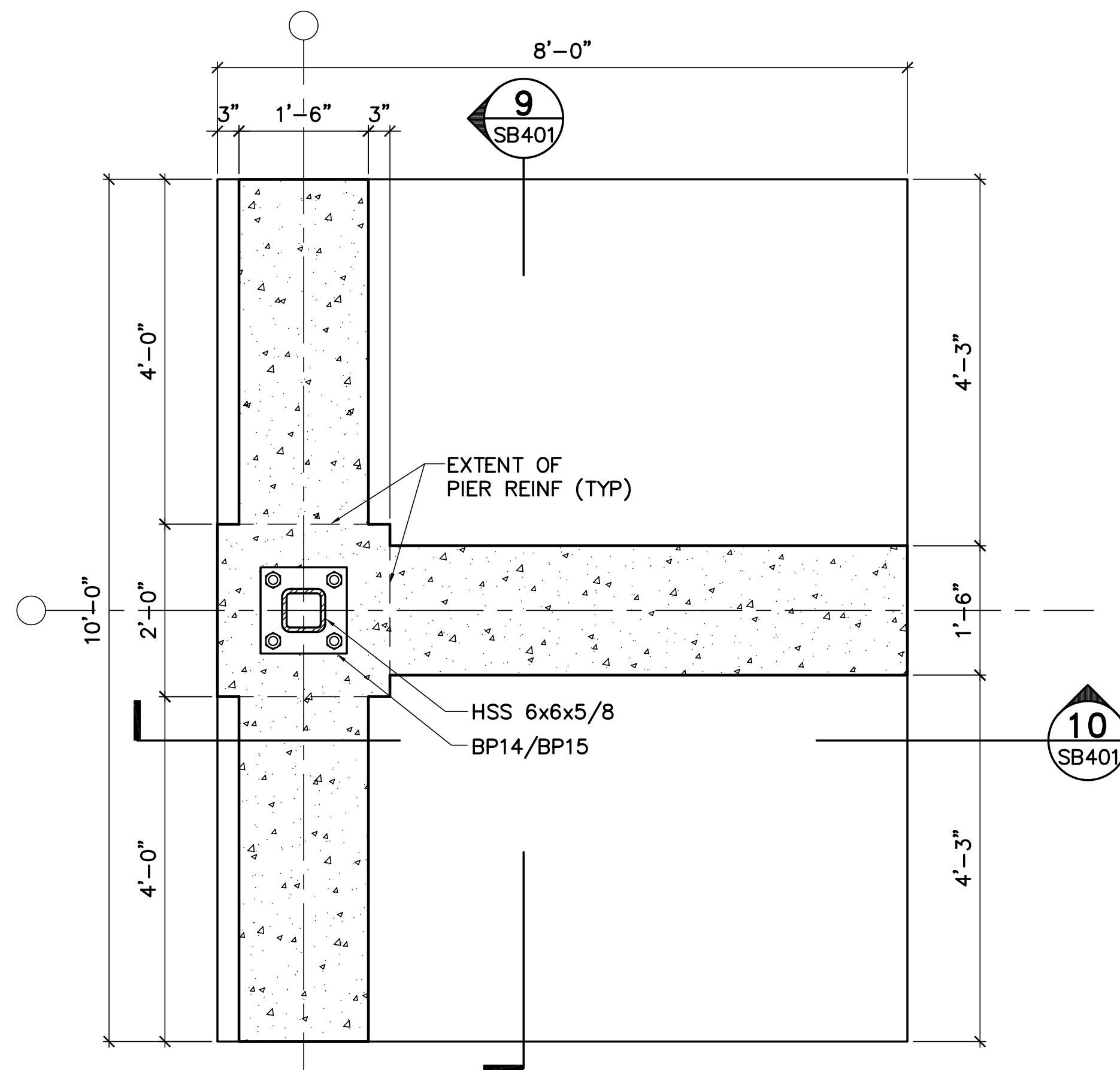
6 FOOTING "H" PLAN
SB101/SB401 SCALE: 3/4"=1'-0"

NOTE:
FOOTING SIMILAR AT COLUMN A/9.

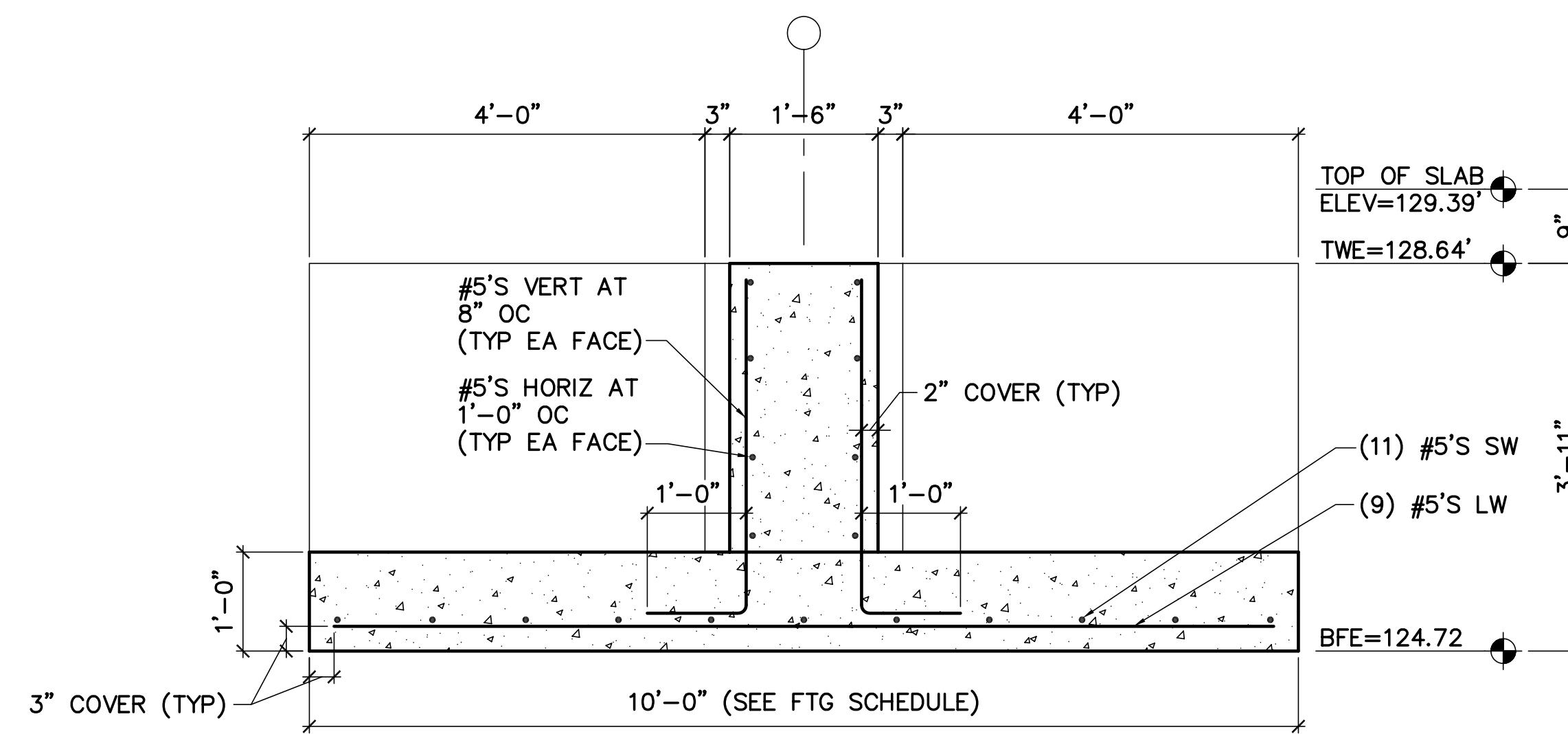


7 FOOTING "H" SECTION
SB401/SB401 SCALE: 3/4"=1'-0"

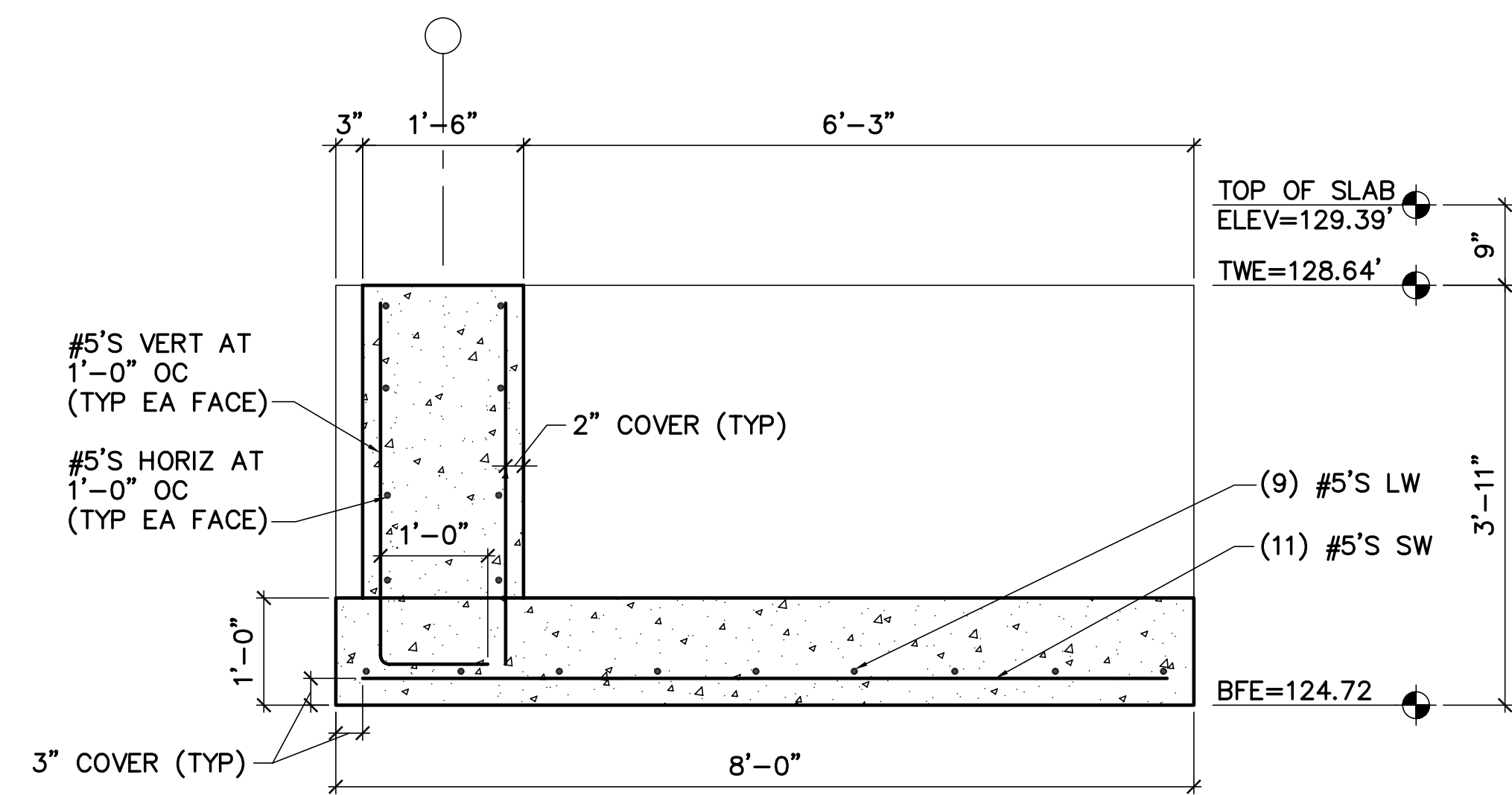
NOTE:
FOOTING SIMILAR AT COLUMN A/9.



8 FOOTING "J" PLAN
SB101/SB401 SCALE: 3/4"=1'-0"



9 FOOTING "J" SECTION 1
SB401/SB401 SCALE: 3/4"=1'-0"



10 FOOTING "J" SECTION 2
SB401/SB401 SCALE: 3/4"=1'-0"

DRAWING NOTE:
EXISTING FOUNDATION WALLS
NOT SHOWN FOR CLARITY.

