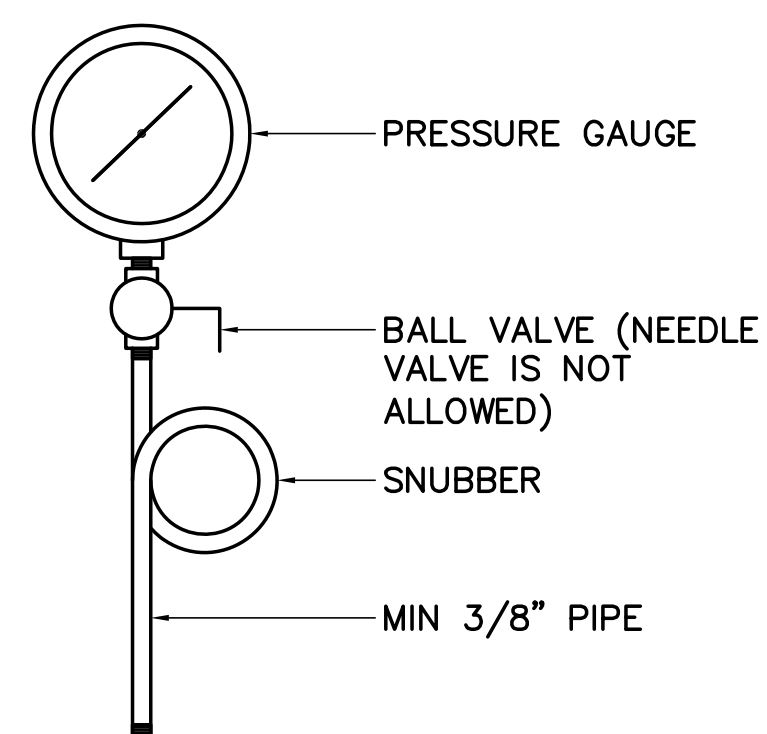
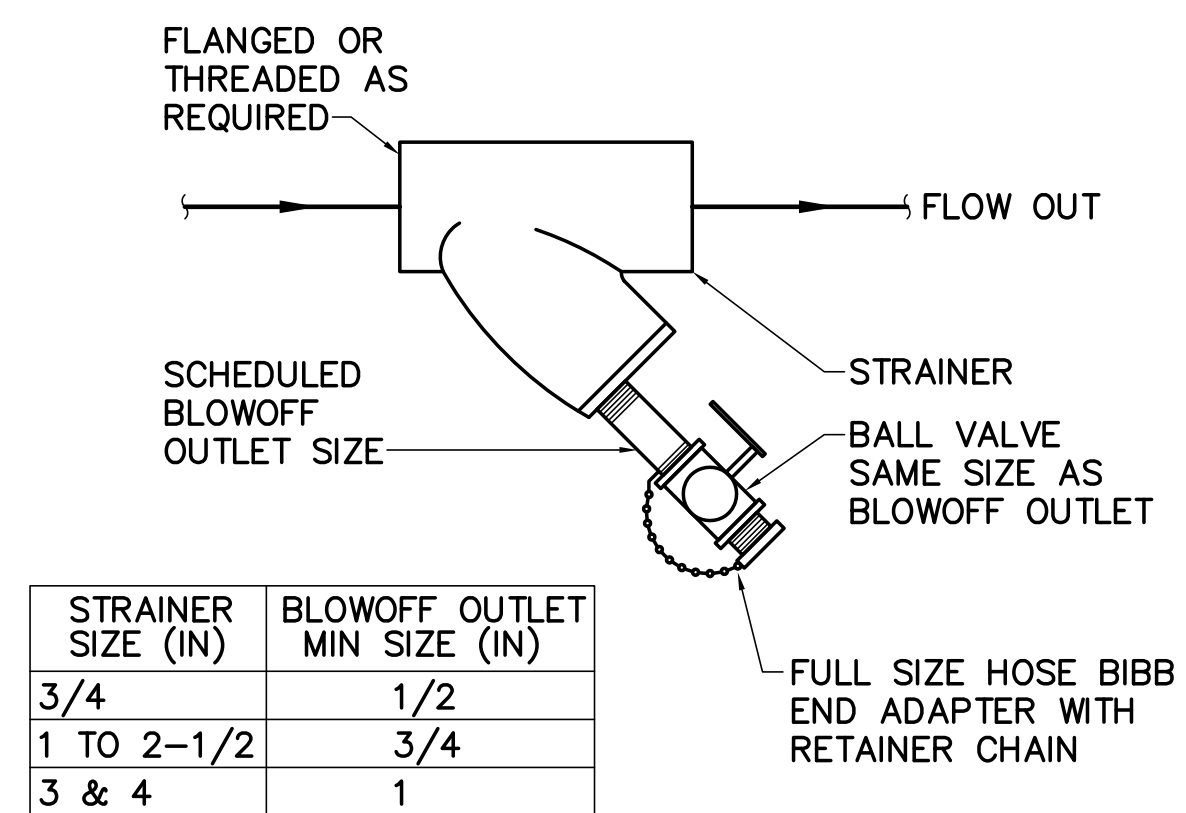


1 FINTUBE RADIATION DETAIL
M-503/ NOT TO SCALE

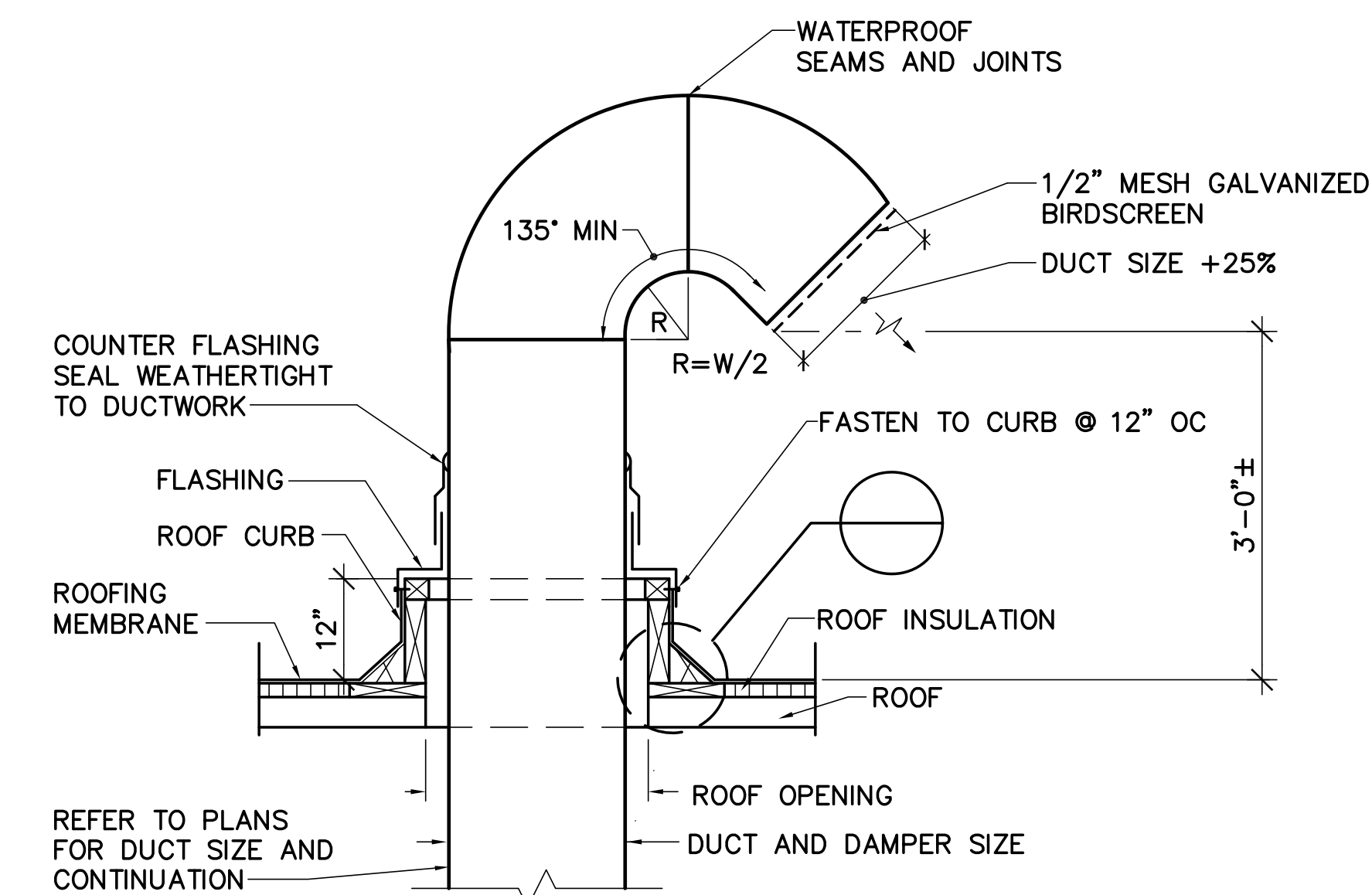


2 STEAM PRESSURE GAUGE ASSEMBLY
M-503/ NOT TO SCALE

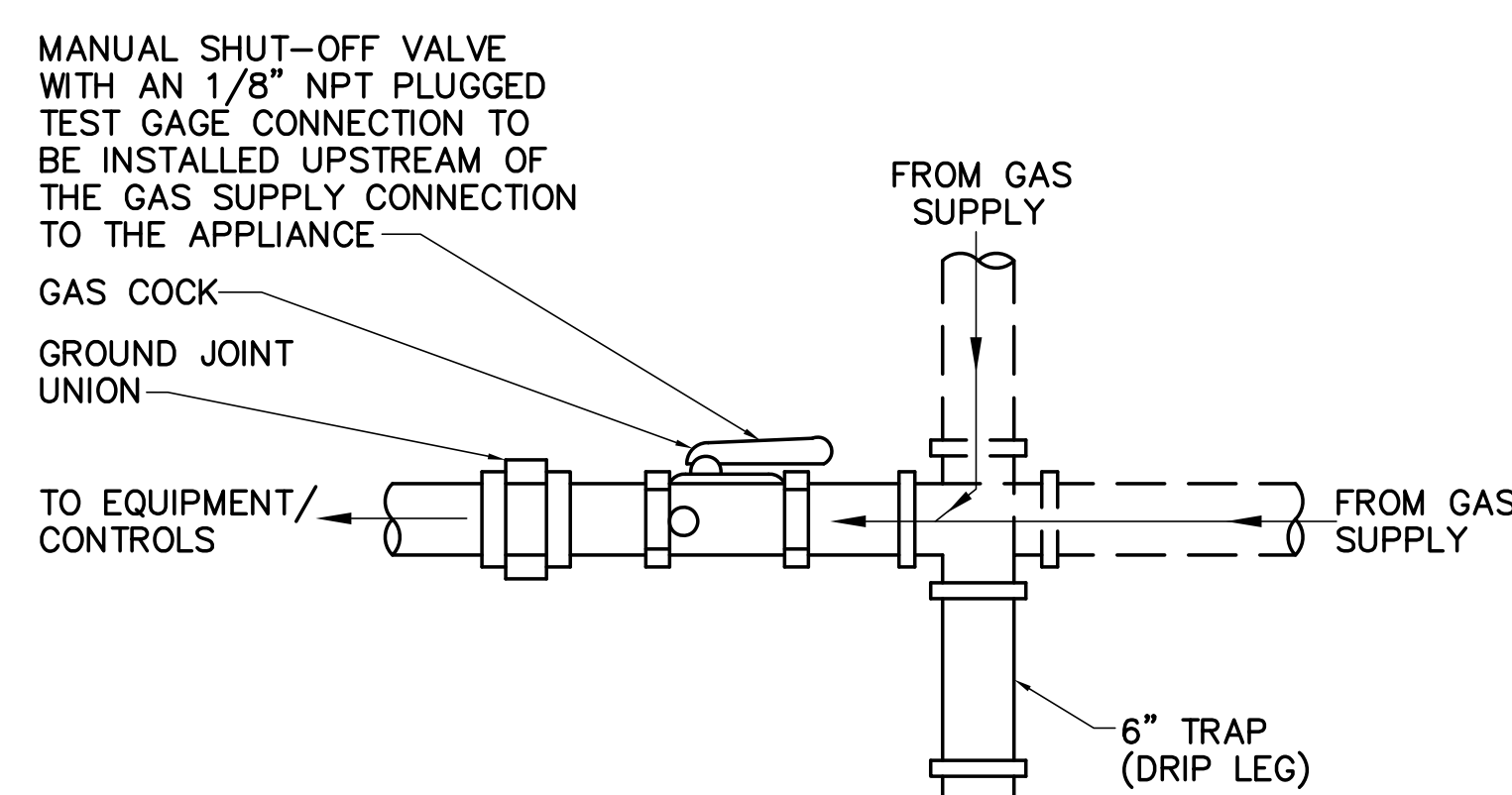


STRAINER SIZE (IN)	BLOWOFF OUTLET MIN SIZE (IN)
3/4	1/2
1 TO 2-1/2	3/4
3 & 4	1

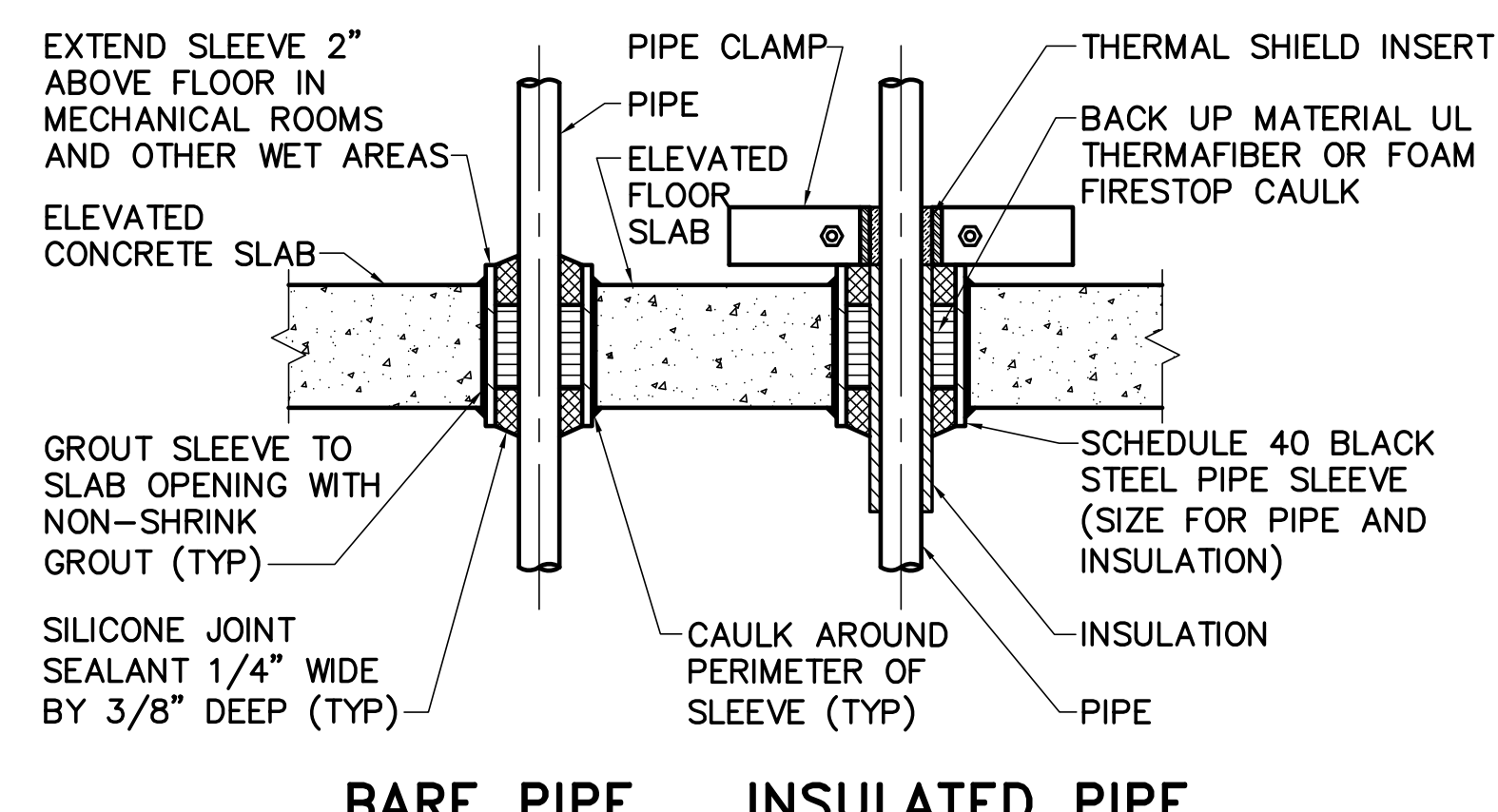
3 STRAINER ASSEMBLY DETAIL (TYP)
M-503/ NOT TO SCALE



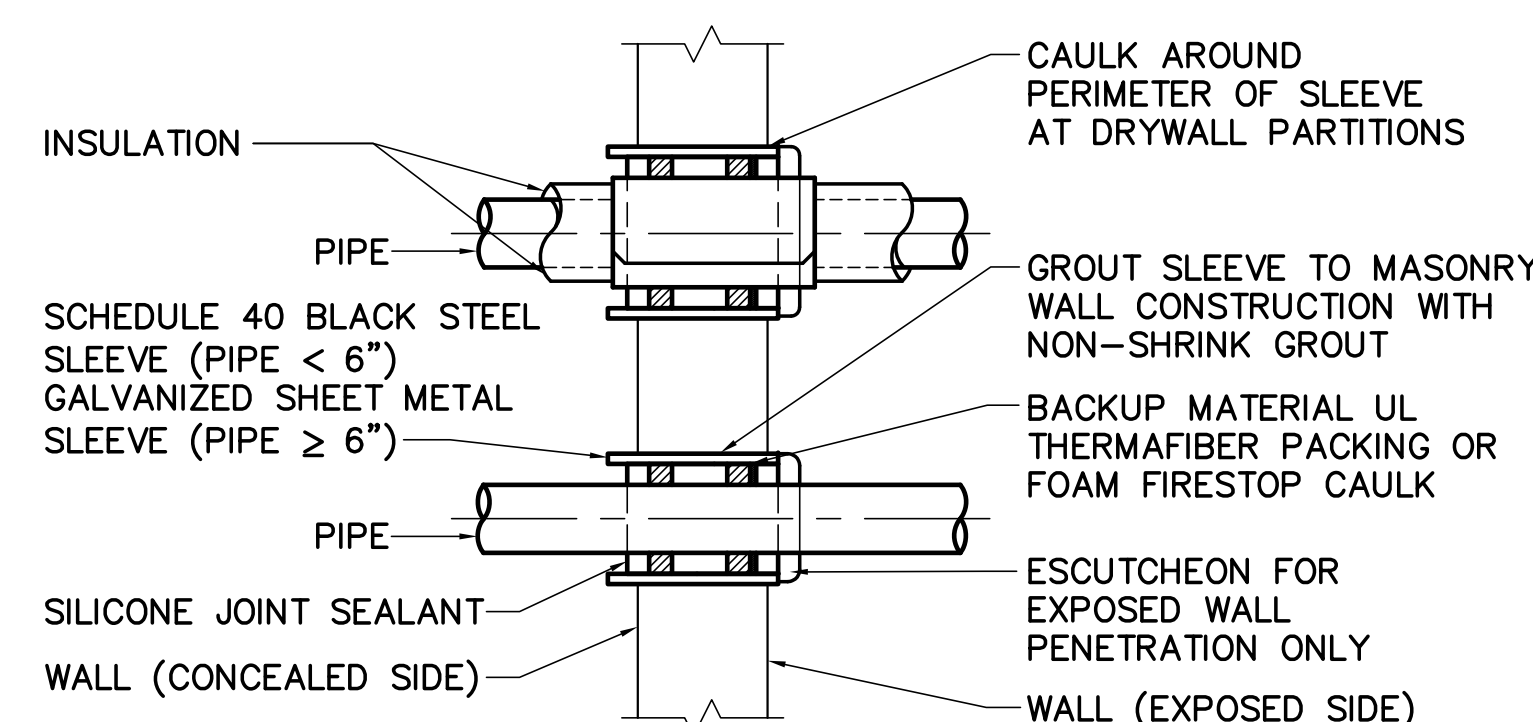
4 GOOSENECK DETAIL
M-503/ NOT TO SCALE



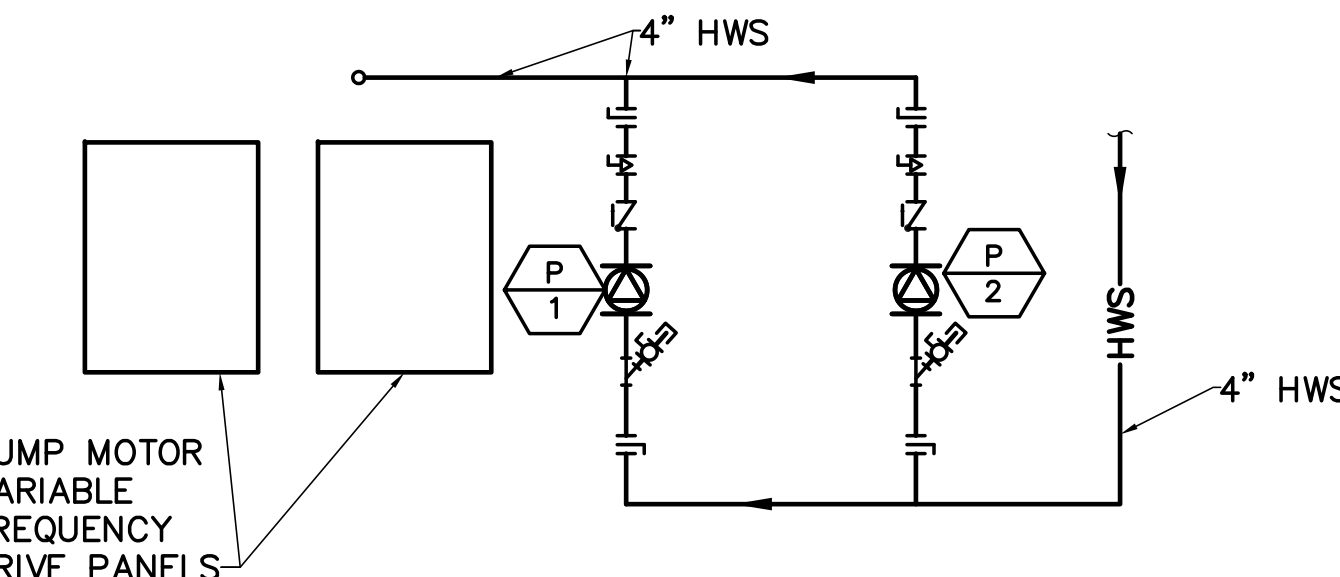
5 GAS CONNECTION TO EQUIPMENT DETAIL
M-503/ NOT TO SCALE



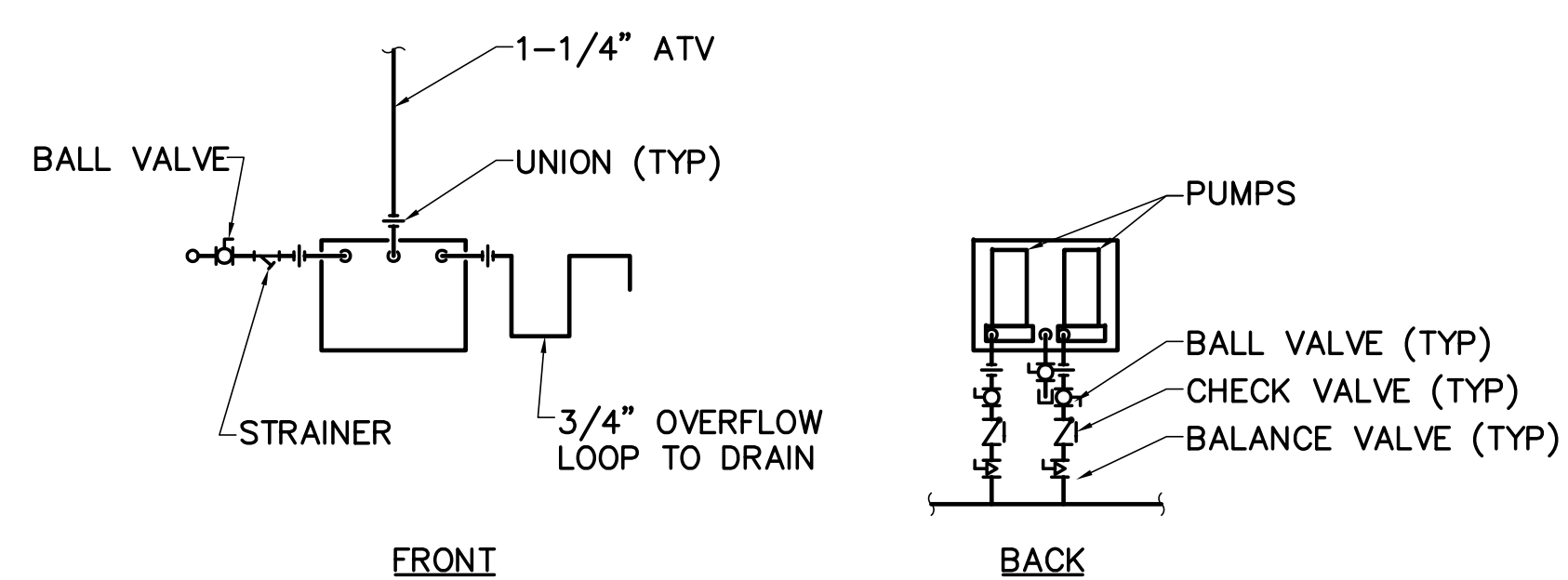
6 PIPE SLEEVE THRU ELEVATED FLOOR
M-503/ NOT TO SCALE



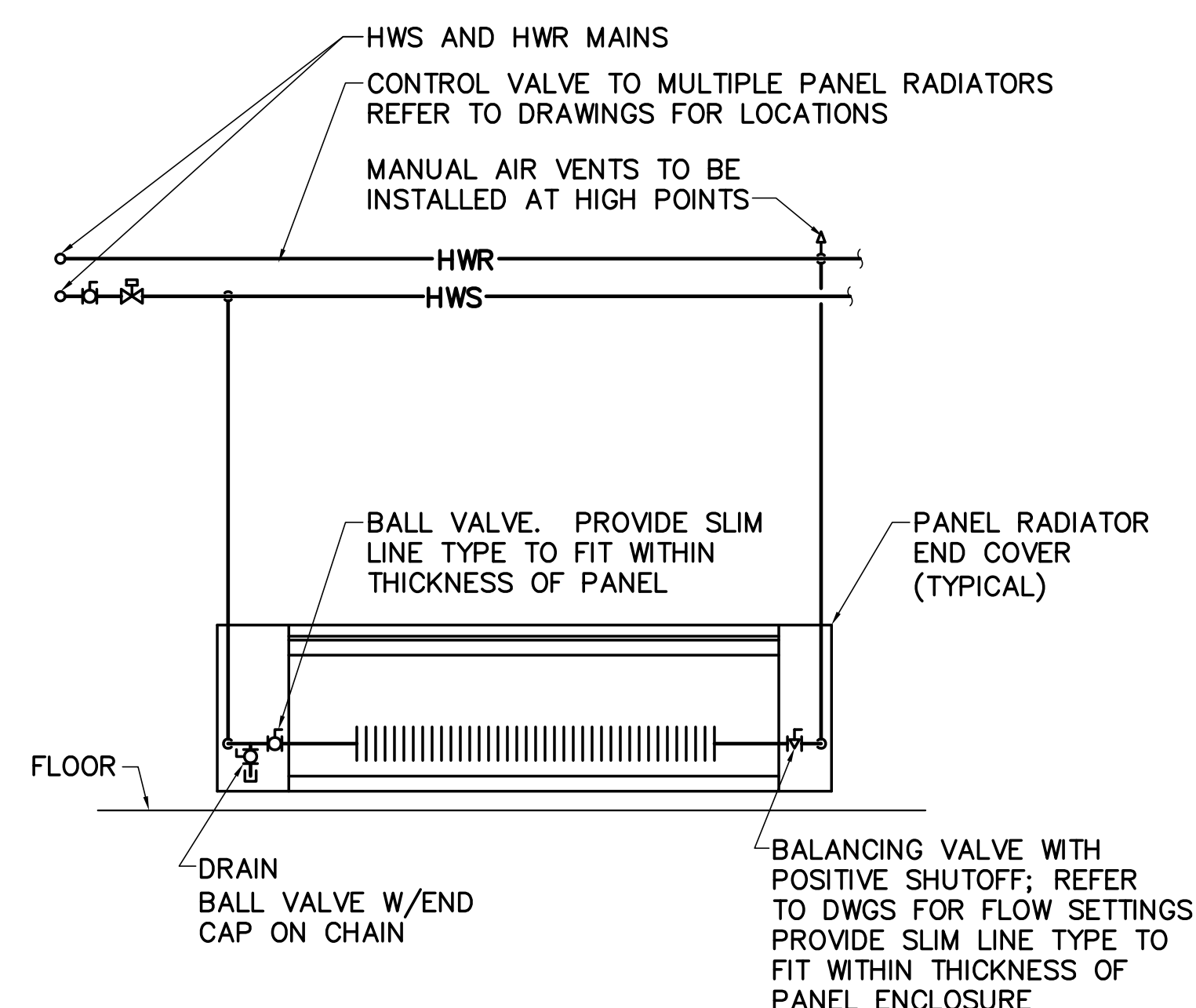
7 PIPE SLEEVE THRU WALL
M-503/ NOT TO SCALE



8 HYDRONIC HEATING PUMP ASSEMBLY SCHEMATIC
M-503/ NOT TO SCALE



9 TYP CONDENSATE RECEIVER AND DUPLEX PUMP PIPING SCHEMATIC
M-503/ NOT TO SCALE



10 PANEL RADIATOR DETAIL (DOWN FEED)
M-503/ NOT TO SCALE