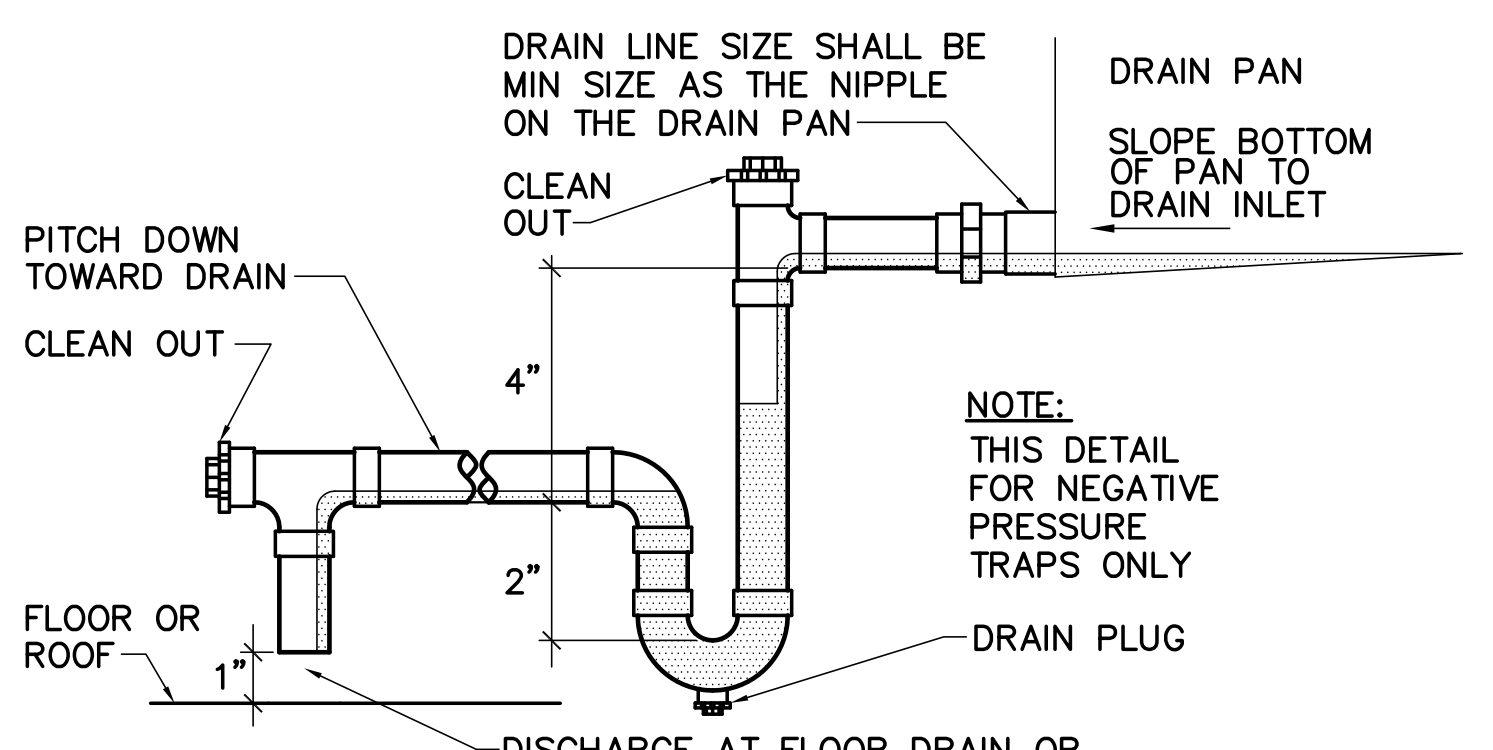
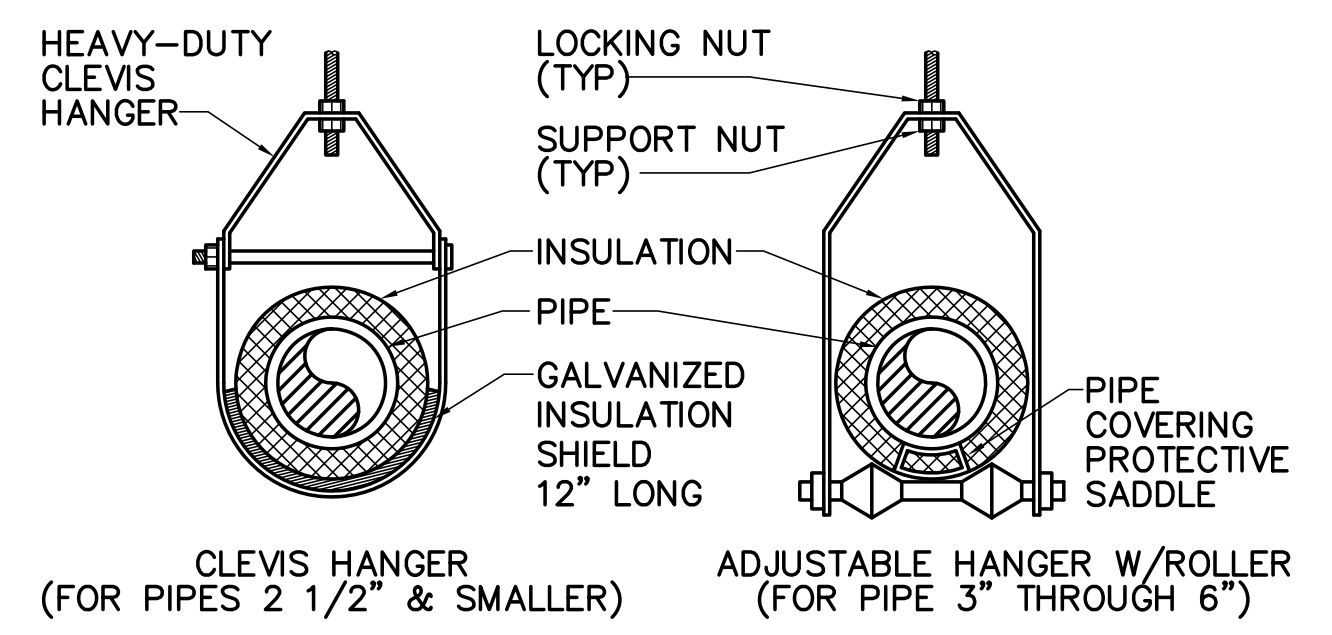


- NOTES
1. VALVES SHALL BE SAME SIZE AS PIPE.
  2. PROVIDE SPRING VIBRATION ISOLATORS FOR PUMP.

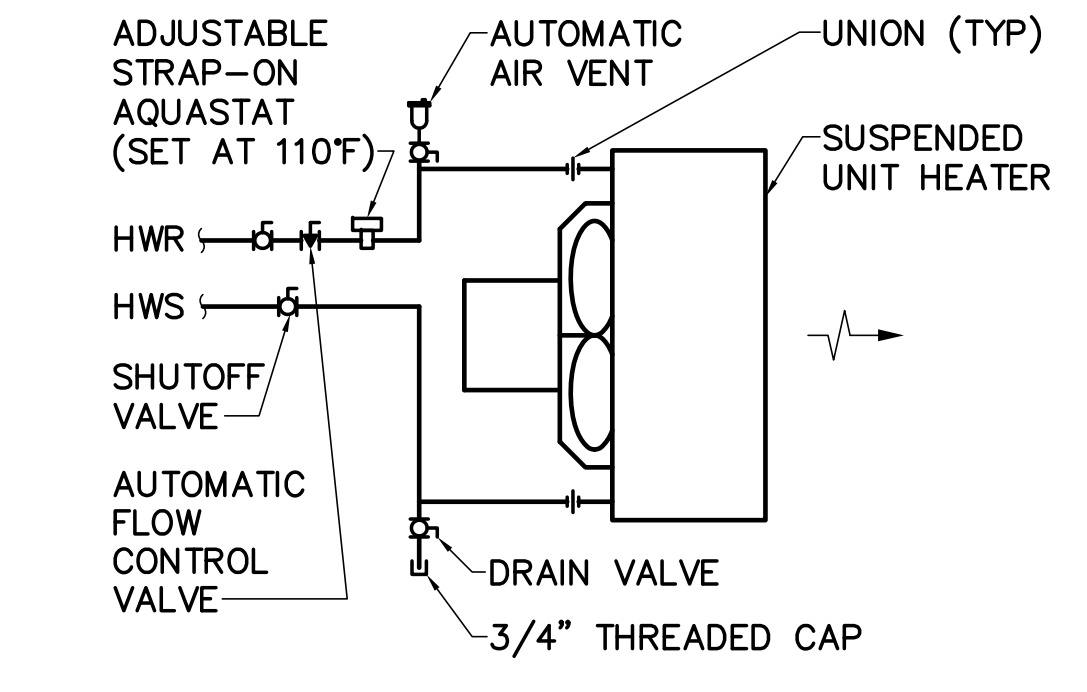
**1 INLINE PUMP PIPING DETAIL**  
M-502 NOT TO SCALE



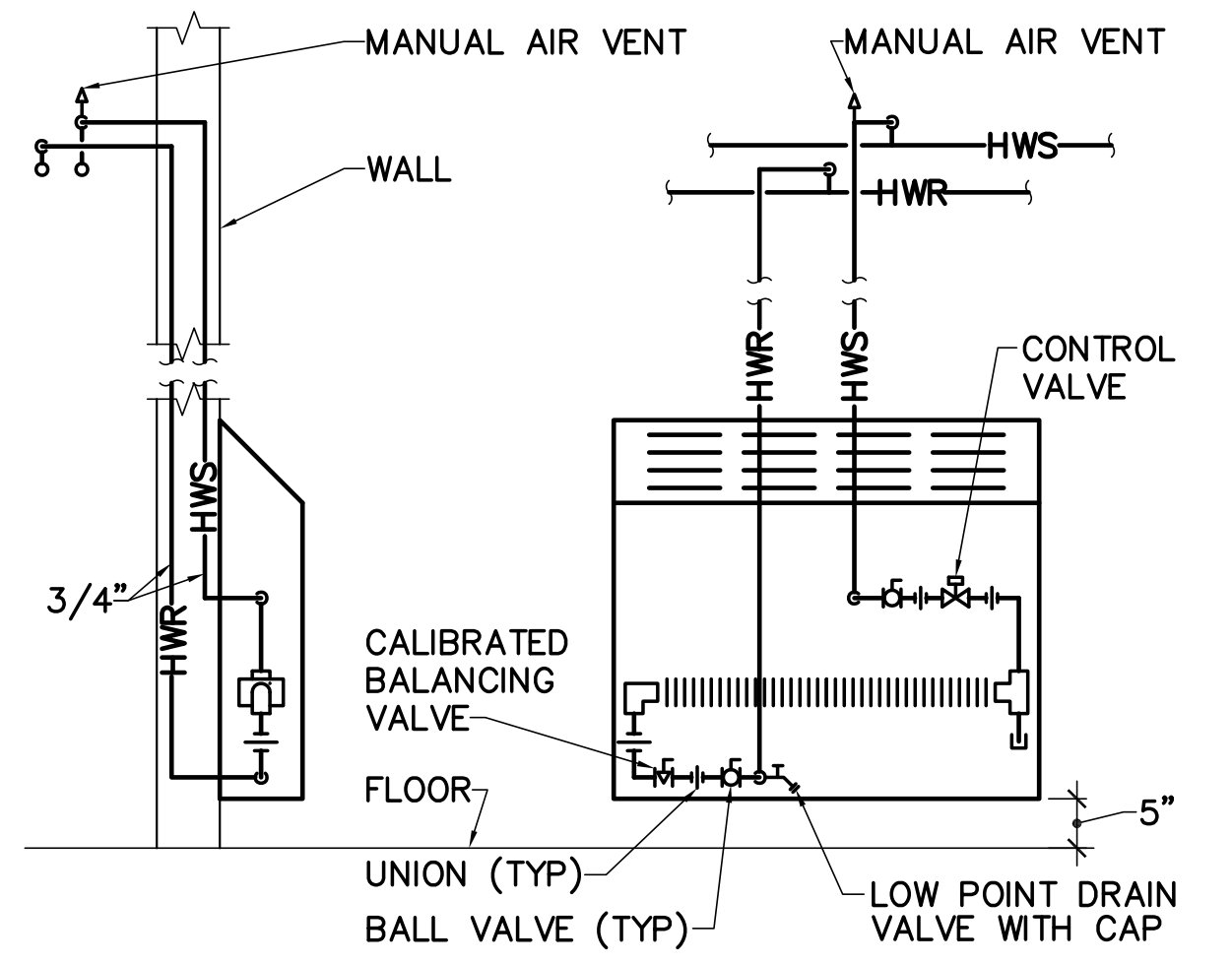
**2 CONDENSATE TRAP DETAIL**  
M-502 NOT TO SCALE



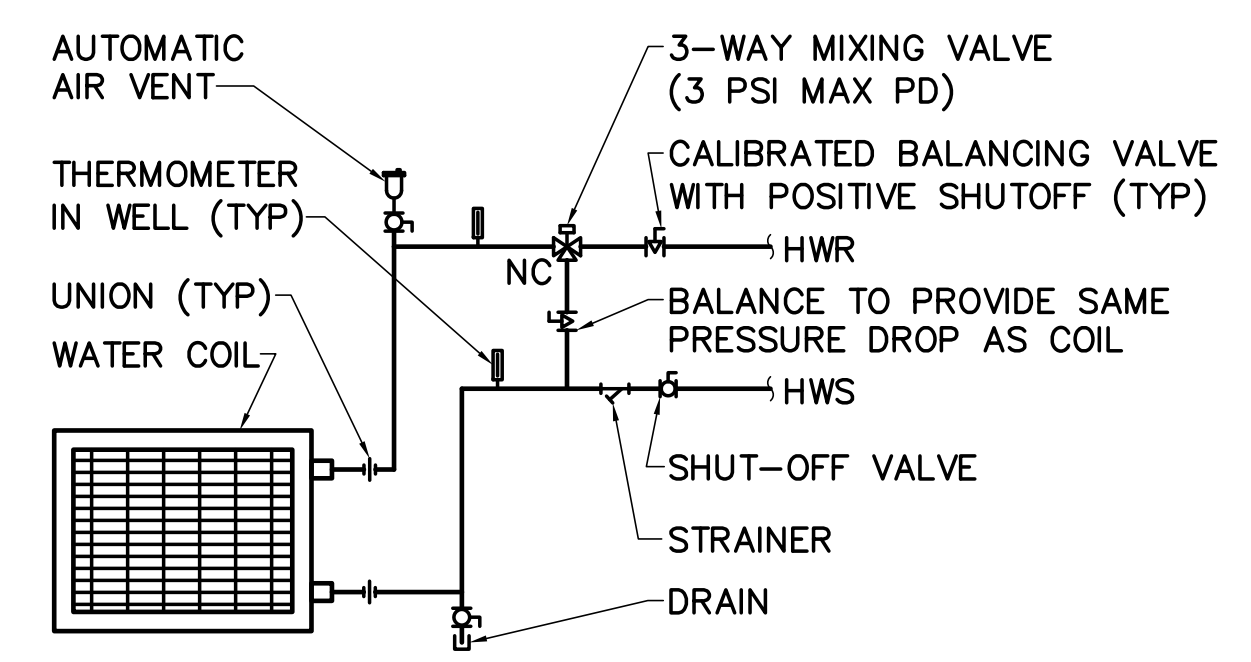
**3 PIPE HANGER ATTACHMENT DETAILS**  
M-502 NOT TO SCALE



**4 COIL PIPING SCHEMATIC**  
M-502 NOT TO SCALE

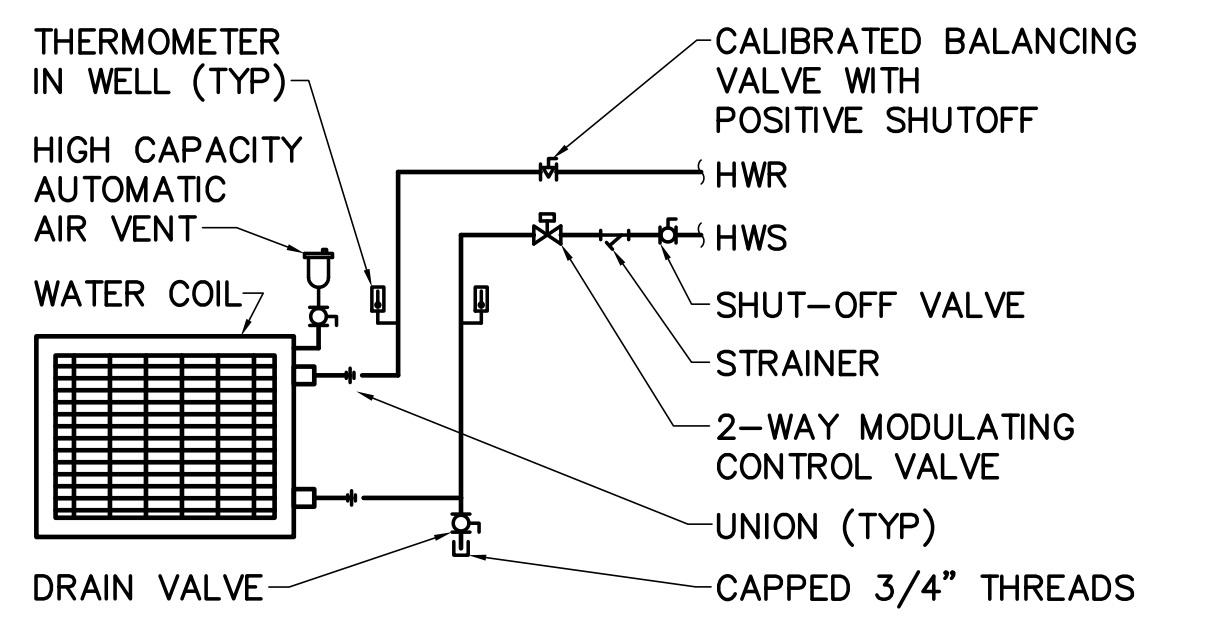


**5 CONVECTOR PIPING SCHEMATIC**  
M-502 NOT TO SCALE



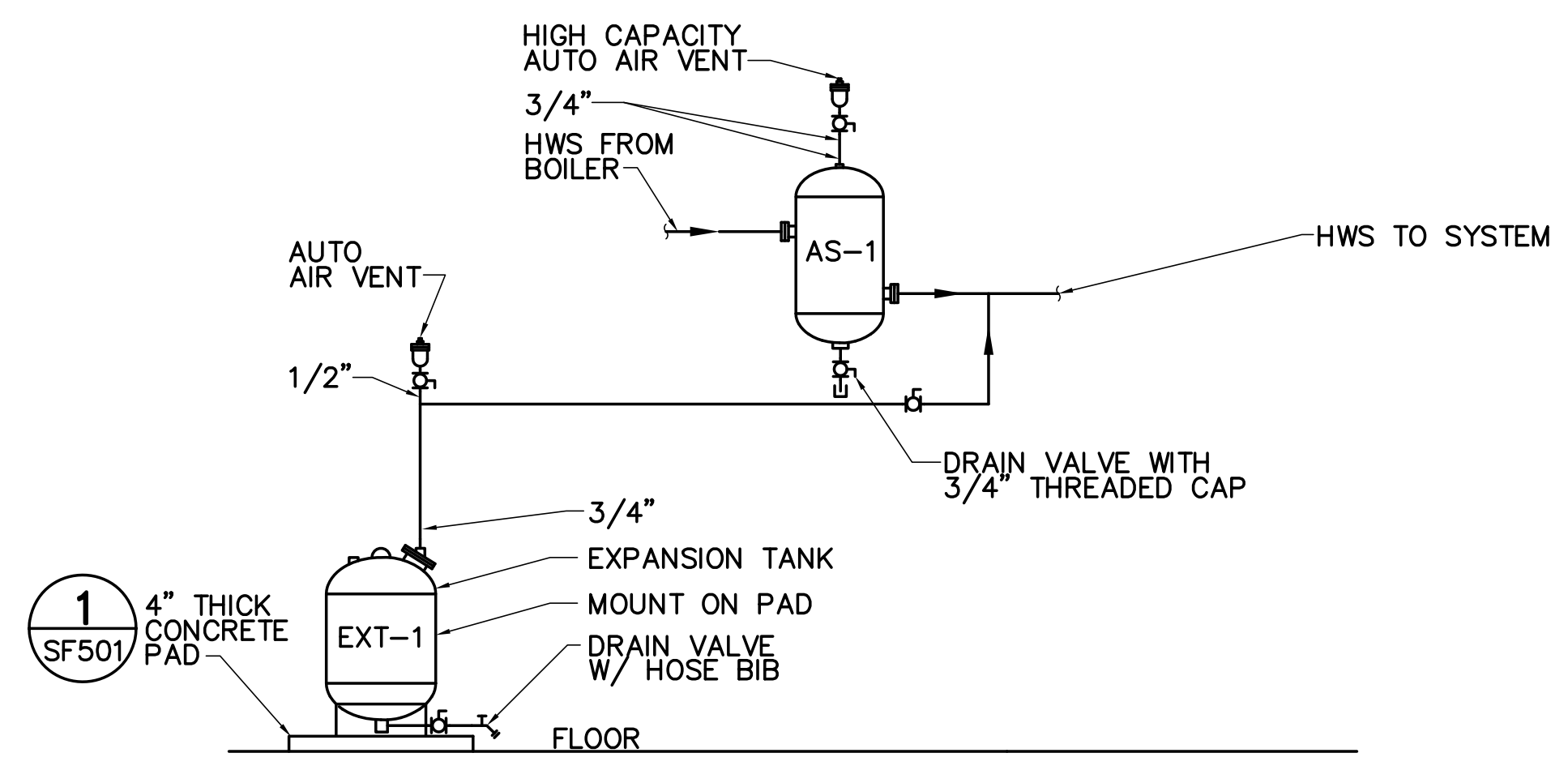
- NOTES
1. VALVES SHALL BE SAME SIZE AS PIPE.
  2. SHUT-OFF VALVES MAY BE BALL OR BUTTERFLY. REFER TO SPECIFICATIONS FOR VALVE TYPE AND SIZE RESTRICTIONS.
  3. PROVIDE UNIONS AND/OR FLANGES AS REQUIRED FOR FIT-UP AND REMOVAL OF COIL.

**6 AHU AND ERV CHILLED WATER COIL PIPING SCHEMATIC**  
M-502 NOT TO SCALE

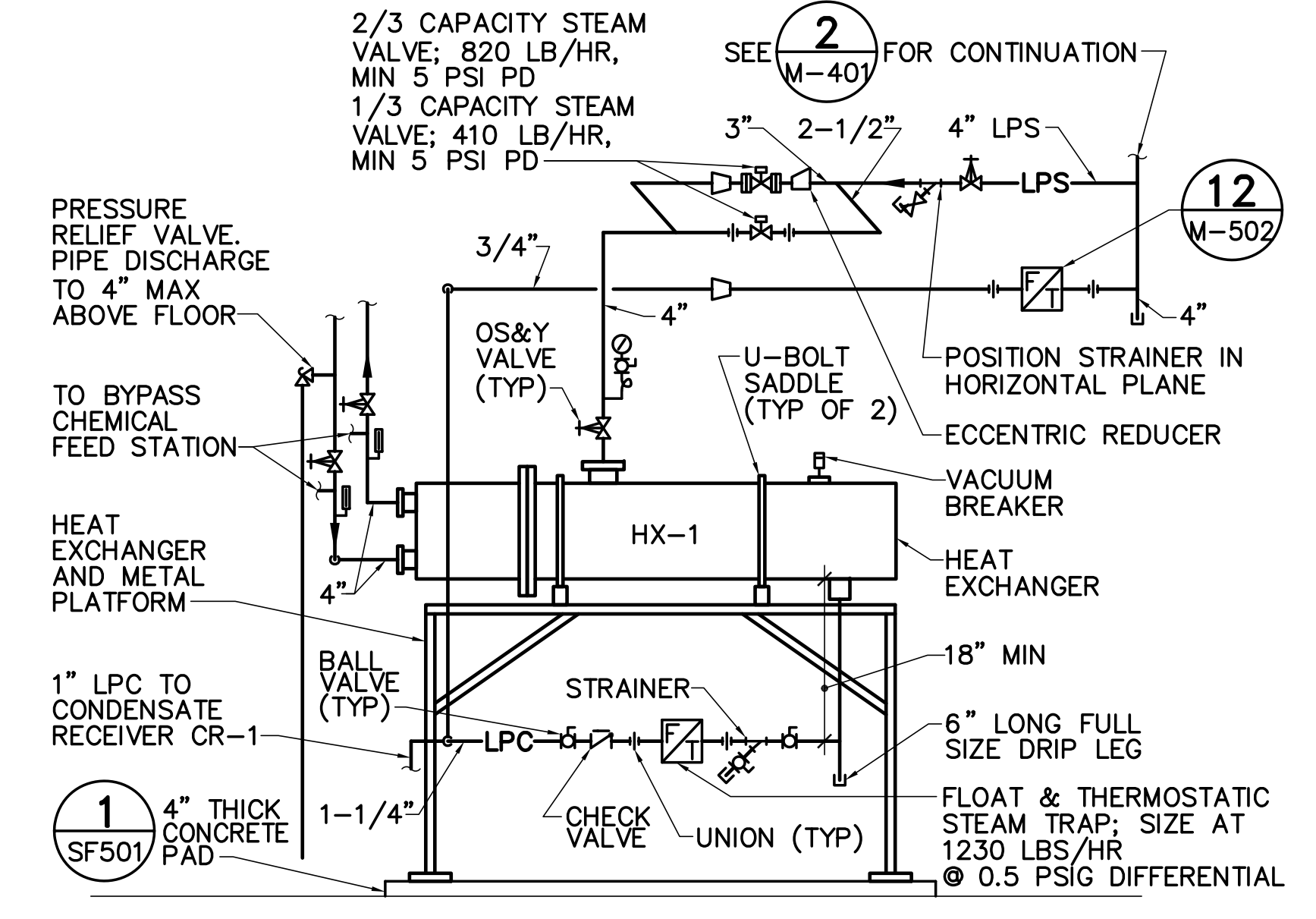


- NOTES
1. VALVES SHALL BE SAME SIZE AS PIPE.
  2. SHUT-OFF VALVES MAY BE BALL OR BUTTERFLY. REFER TO SPECIFICATIONS FOR VALVE TYPE AND SIZE RESTRICTIONS.
  3. PROVIDE UNIONS AND/OR FLANGES AS REQUIRED FOR FIT-UP AND REMOVAL OF COIL.

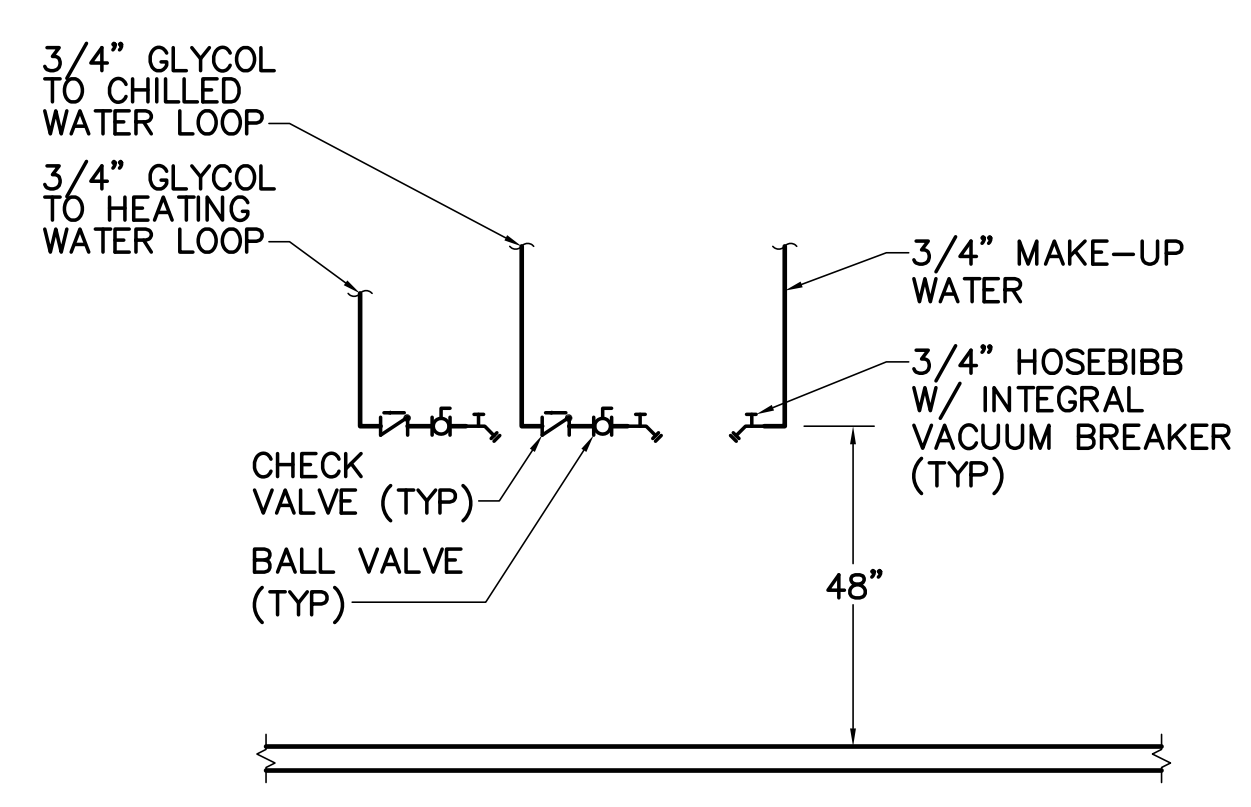
**7 AHU, ERV, VAV, CAV AND DUCT MOUNTED HOT WATER COIL PIPING SCHEMATIC**  
M-502 NOT TO SCALE



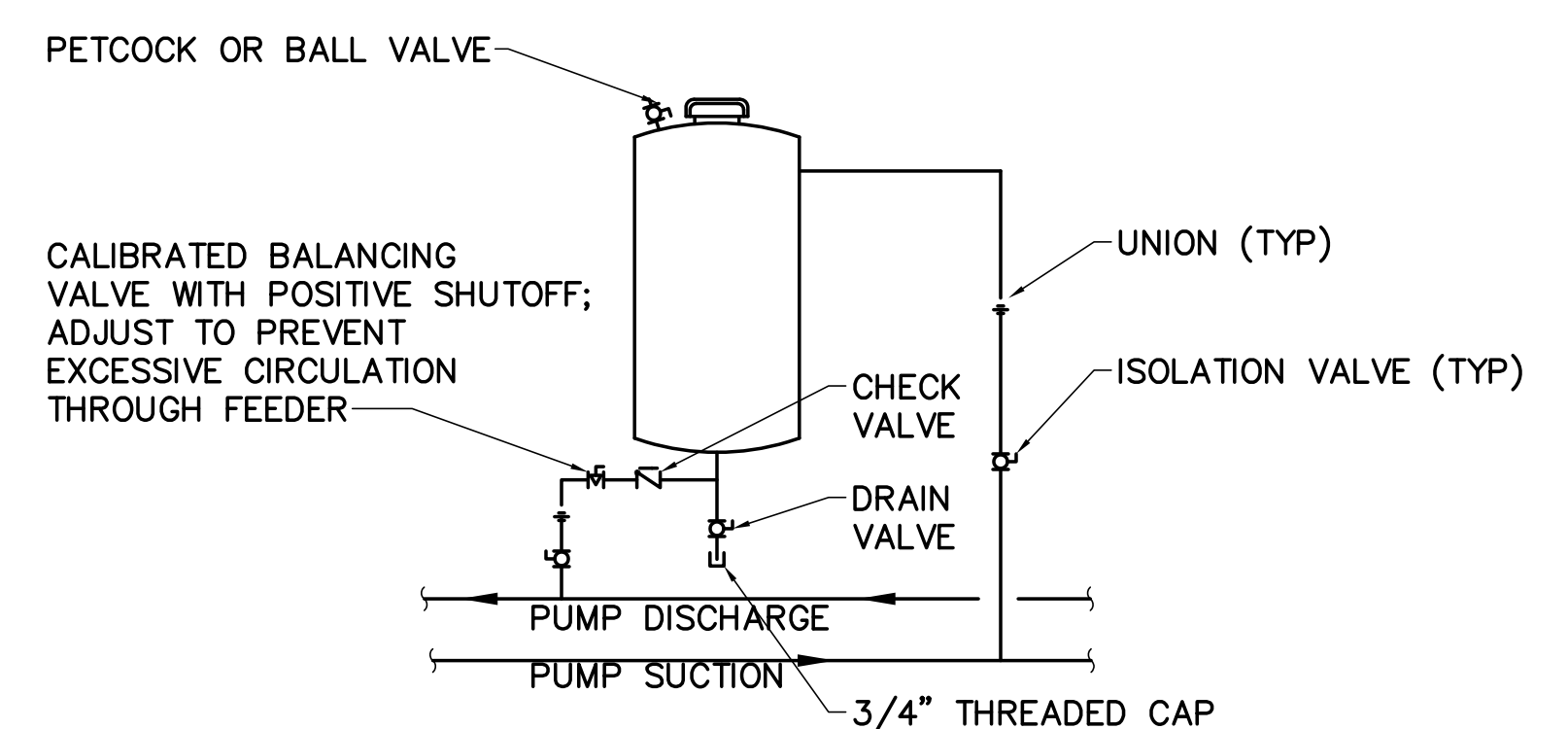
**8 AIR CONTROL PIPING DIAGRAM**  
M-502 NOT TO SCALE



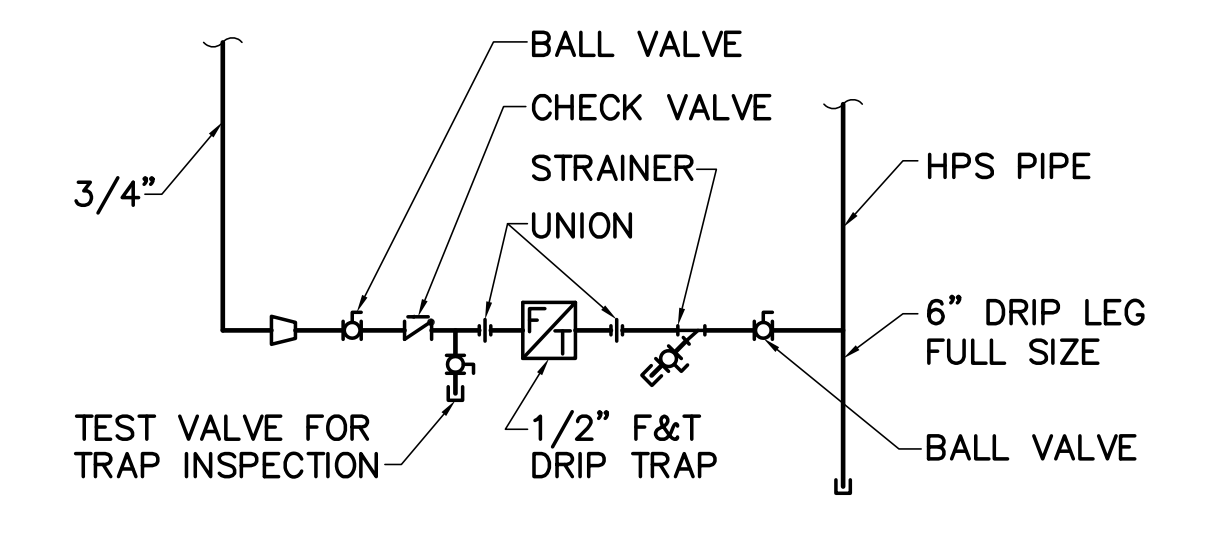
**9 CONVERTOR PIPING SCHEMATIC**  
M-502 NOT TO SCALE



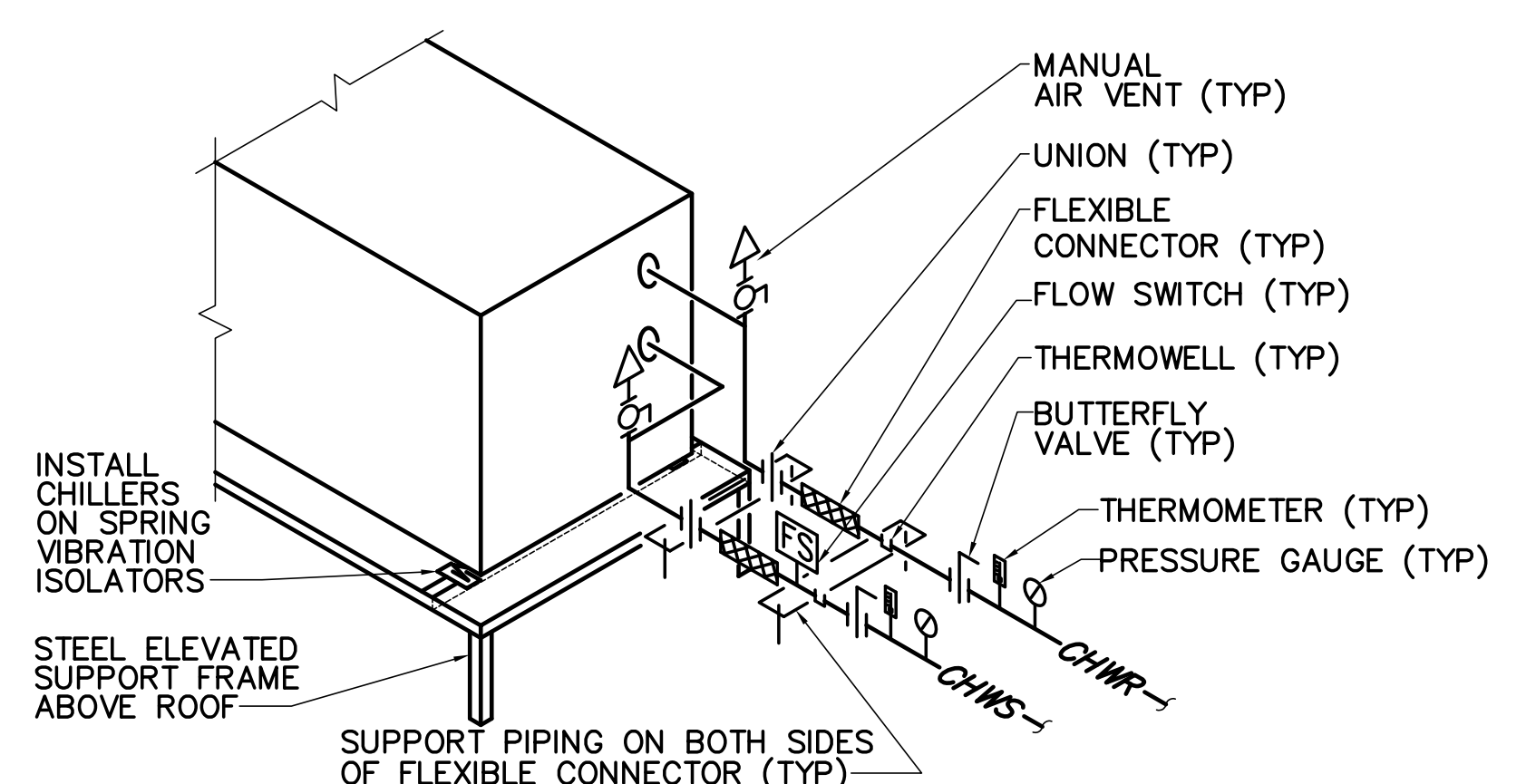
**10 GLYCOL FILL STATIONS DETAIL**  
M-502 NOT TO SCALE



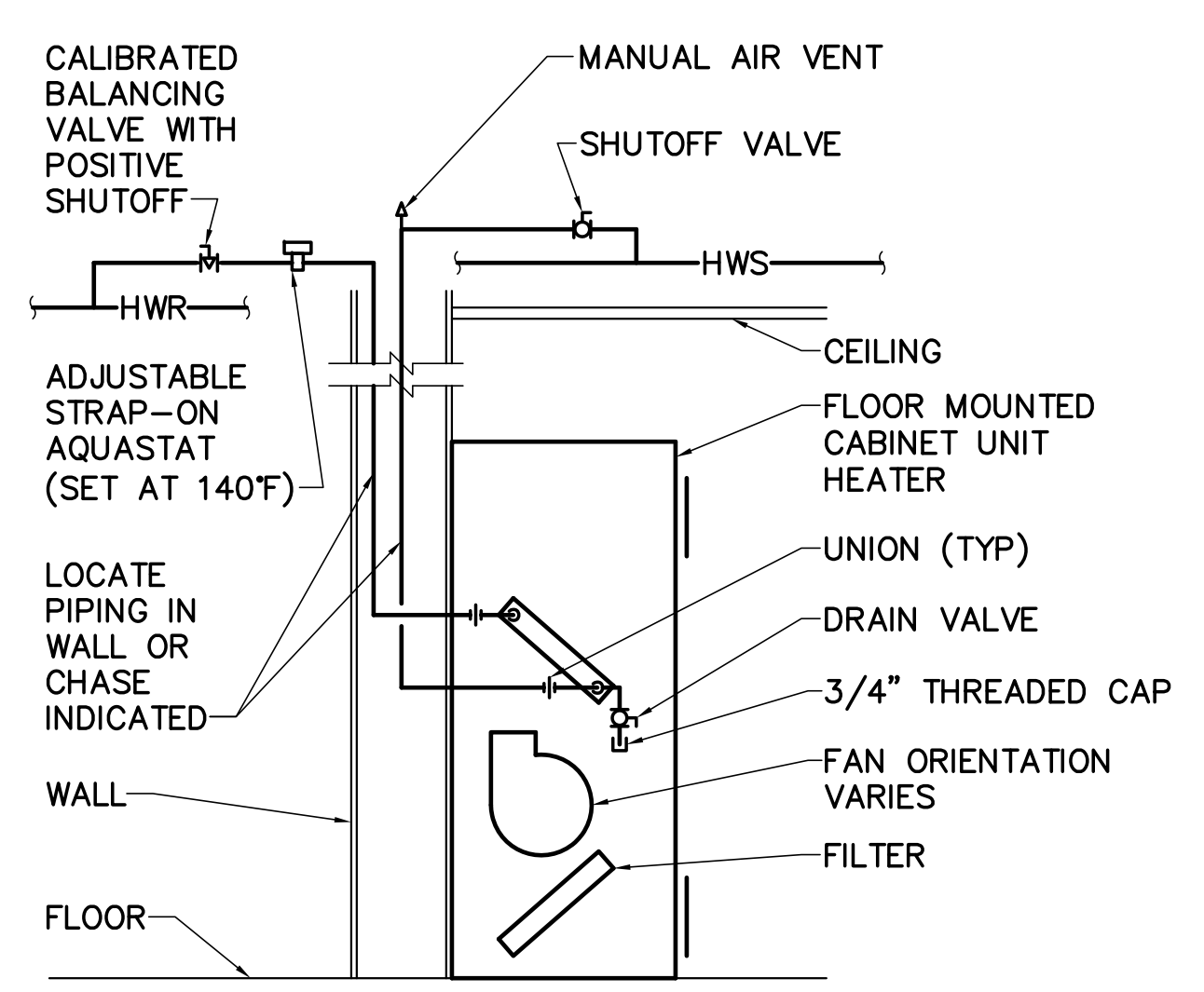
**11 BYPASS CHEMICAL FEEDER PIPING SCHEMATIC**  
M-502 NOT TO SCALE



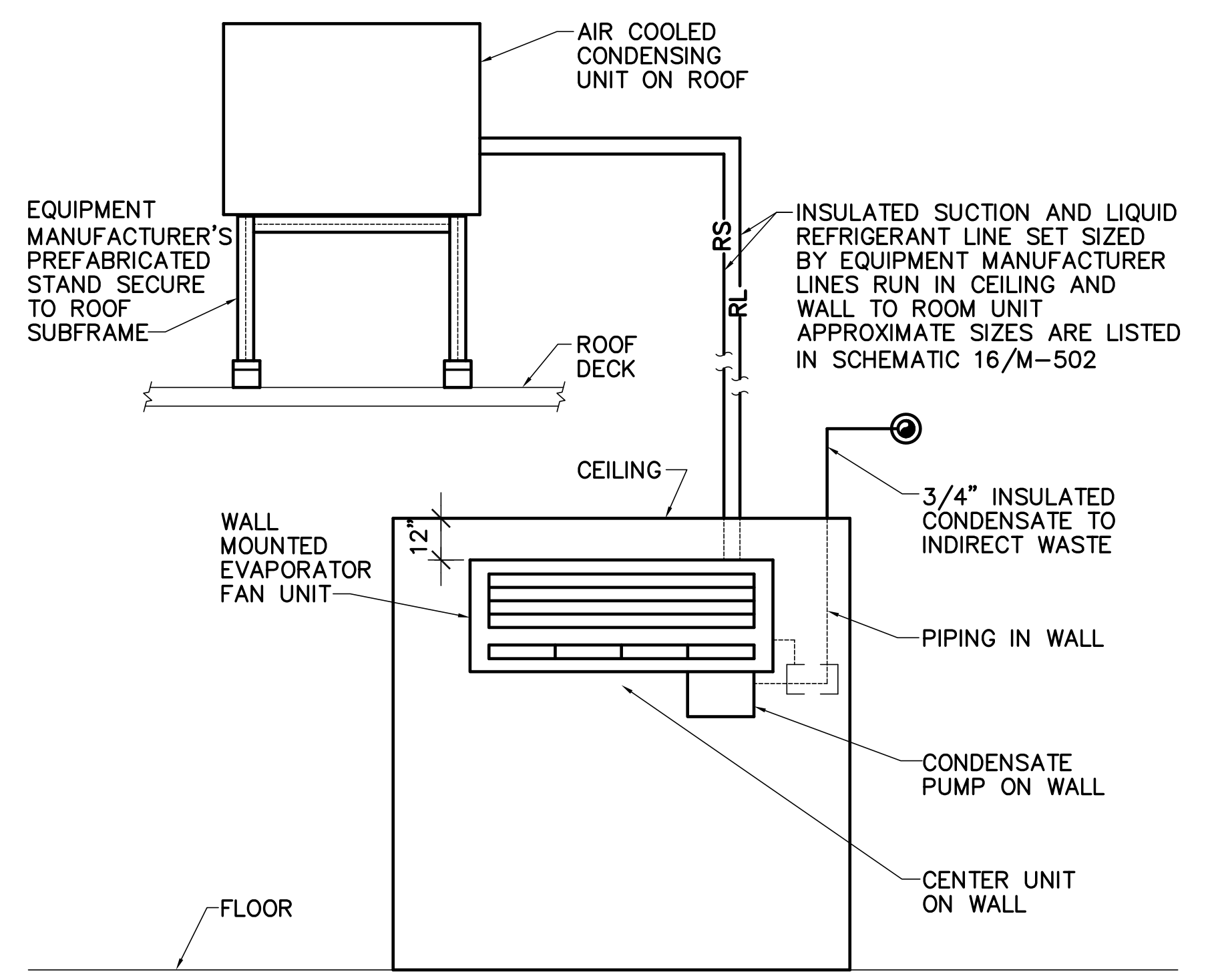
**12 TYP F&T TRAP PIPING DETAIL**  
M-502 NOT TO SCALE



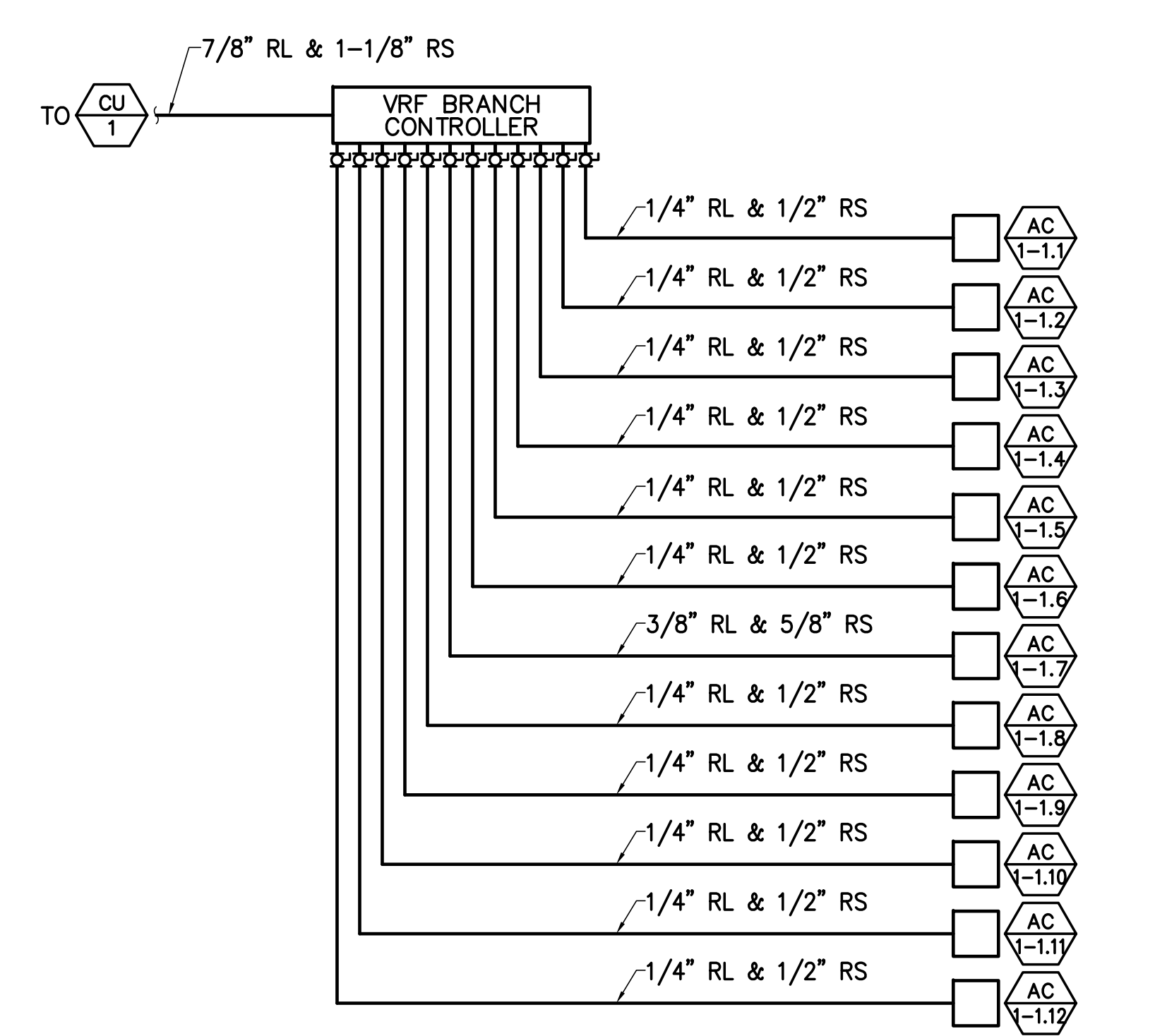
**13 AIR COOLED CHILLER PIPING DETAIL**  
M-502 NOT TO SCALE



**14 CABINET HEATER PIPING SCHEMATIC**  
M-502 NOT TO SCALE



**15 DUCTLESS SPLIT SYSTEM ELEVATION**  
M-502 NOT TO SCALE



**16 REFRIGERANT PIPING SCHEMATIC**  
M-502 NOT TO SCALE

24 May, 2016 - 7:42pm  
G:\dfiles\21502.10-M502.dwg