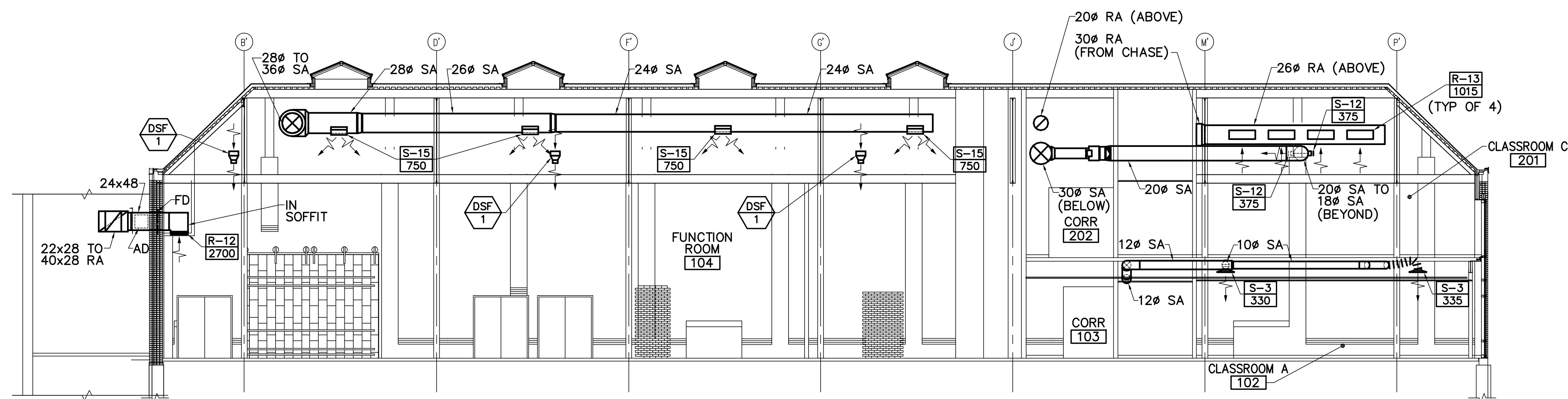
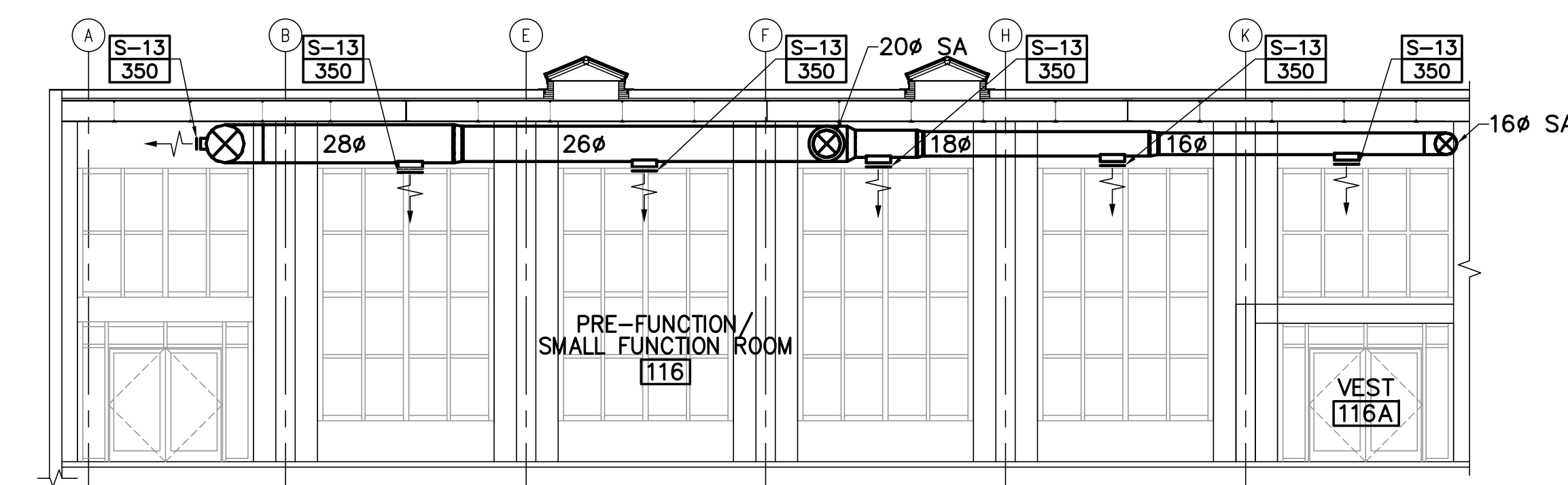


1 LARGE FUNCTION ROOM 104 MECHANICAL DUCTWORK SECTION - EAST
 MH103, MH102, MH101 M-301 SCALE: 1/8"=1'-0"



2 LARGE FUNCTION ROOM 104 MECHANICAL DUCTWORK SECTION - NORTH
 MH102, MH101 M-301 SCALE: 1/8"=1'-0"



3 SMALL FUNCTION ROOM 116 MECHANICAL DUCTWORK SECTION
 MH102 M-301 SCALE: 1/8"=1'-0"

DRAWING KEYNOTES
 ⚠️ DUCTWORK ON ROOF. REFER TO SHEET MH103 AND M-401 FOR CONTINUATION.
 ⚠️ SEE SHEET SF602 FOR LINTEL SCHEDULE.
 ⚠️ SEE DETAIL 14/AE502 FOR DUCT PENETRATION THROUGH WALL DETAILS.

OAK POINT ASSOCIATES
 23 Main Street, Scarborough, Maine 04070 (172) 263-0300
 www.oakpoint.com



RNC
 KLG
 MSA
 21502.10
 DESIGNED BY:
 DRAWN BY:
 CHECKED BY:
 PROJECT:

**UNIVERSITY OF NEW ENGLAND
 PORTLAND CAMPUS**
 STEVEN AVENUE ARMORY
 716 STEVENS AVE
 PORTLAND, MAINE 04103
 T (207) 283-0171

**RENOVATIONS TO THE
 STEVENS AVENUE ARMORY**

**MECHANICAL
 DUCTWORK
 SECTIONS**

SCALE: AS NOTED
 DATE: 05-24-16

DWG. **M-301**

SHEET: 134 OF 169

