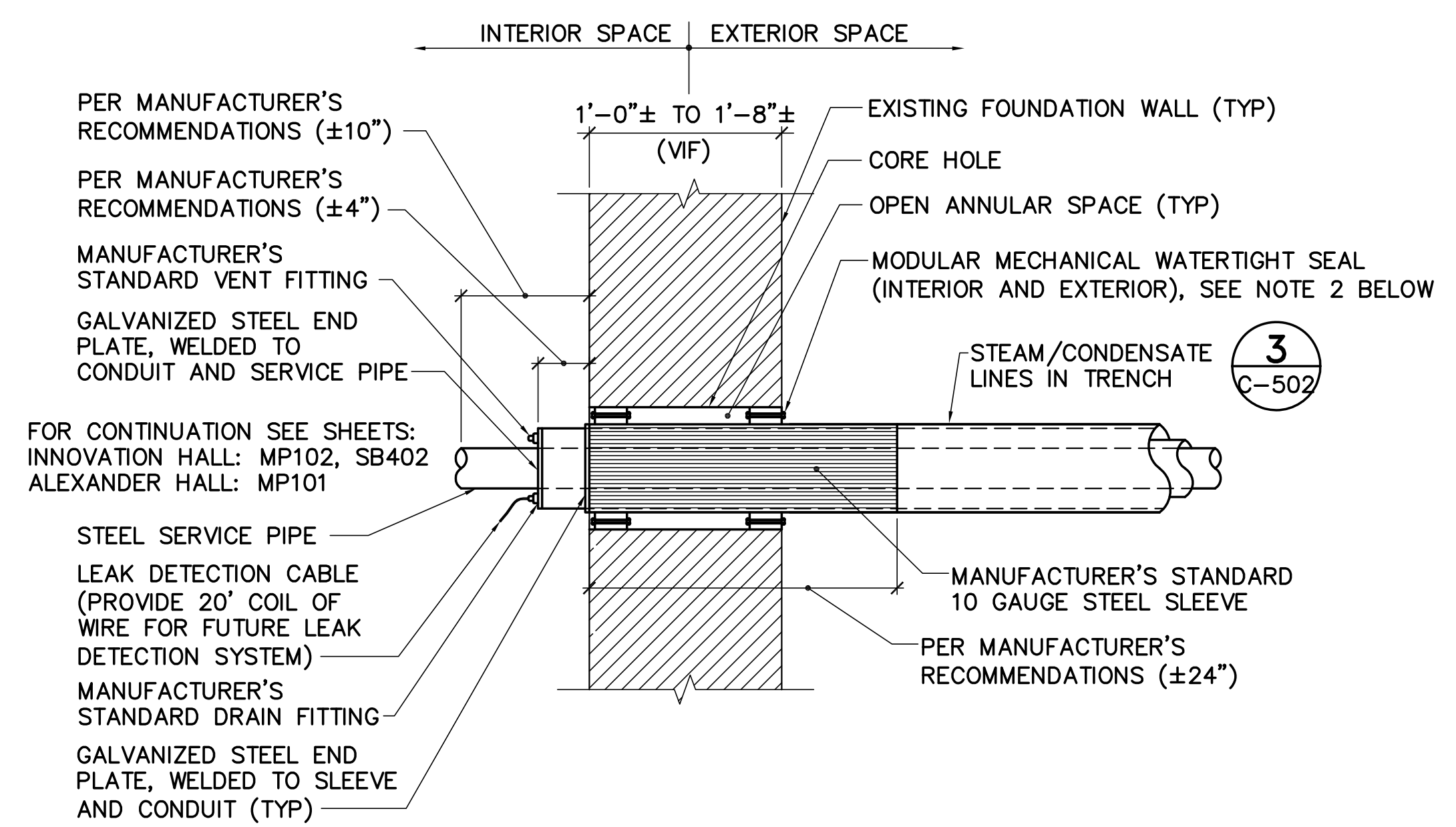
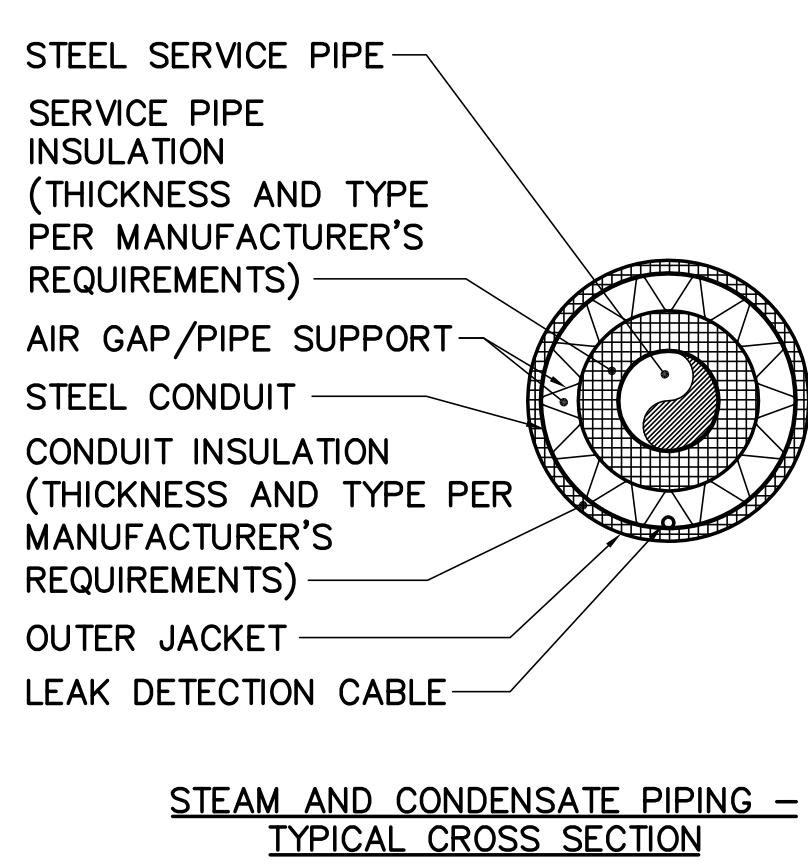
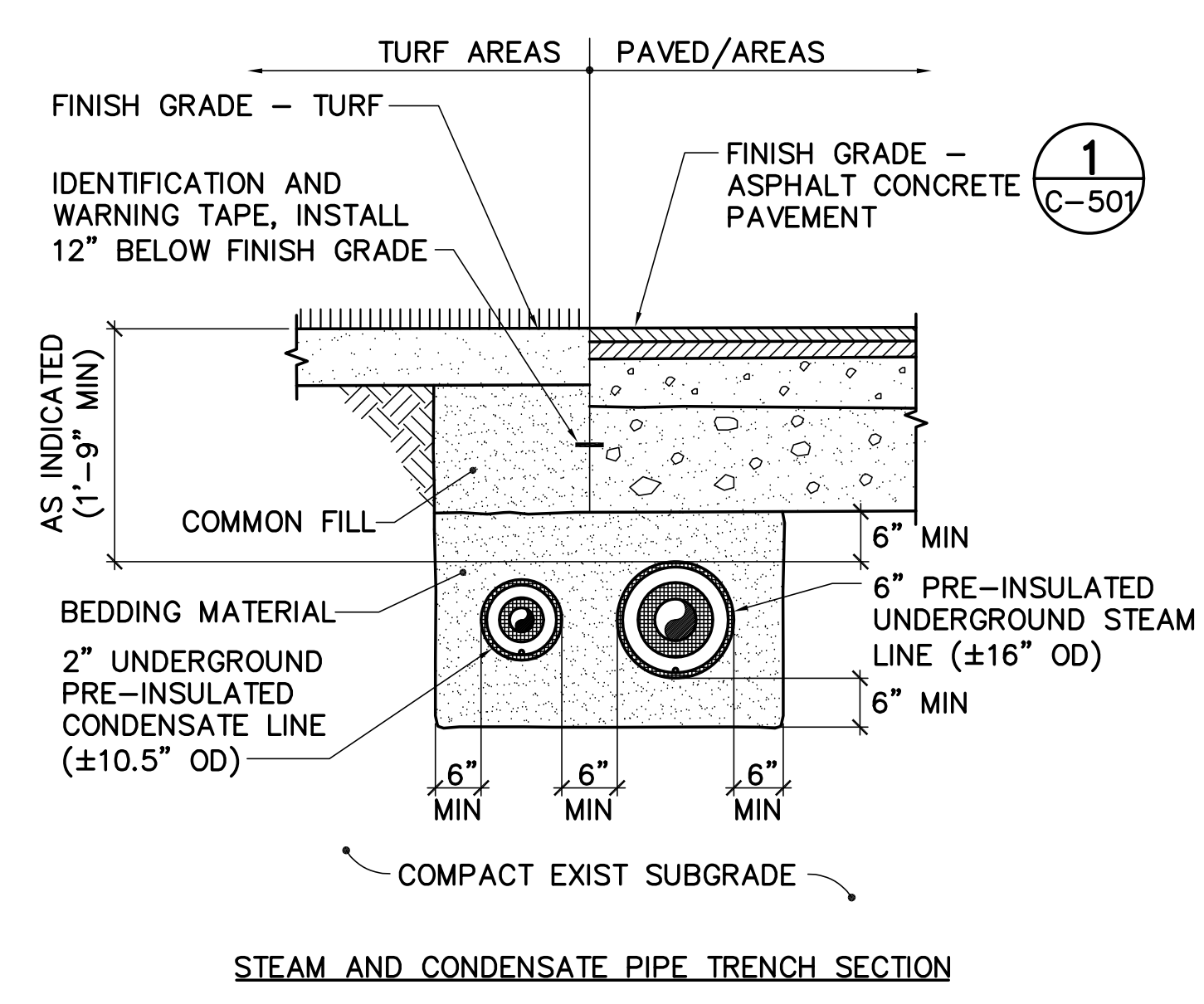
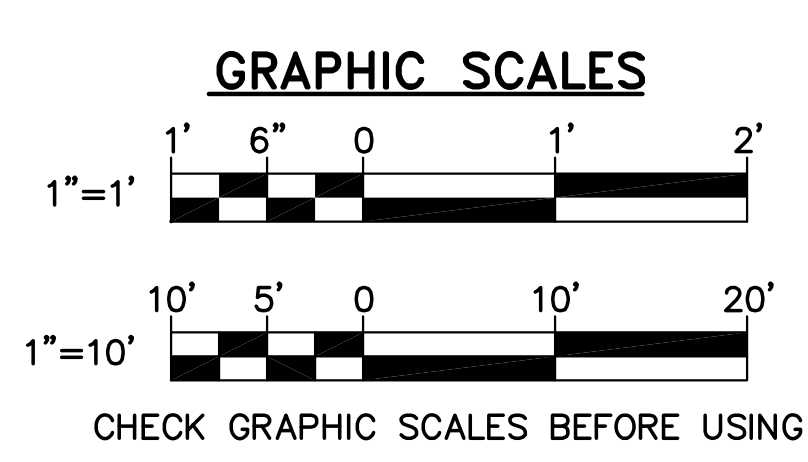
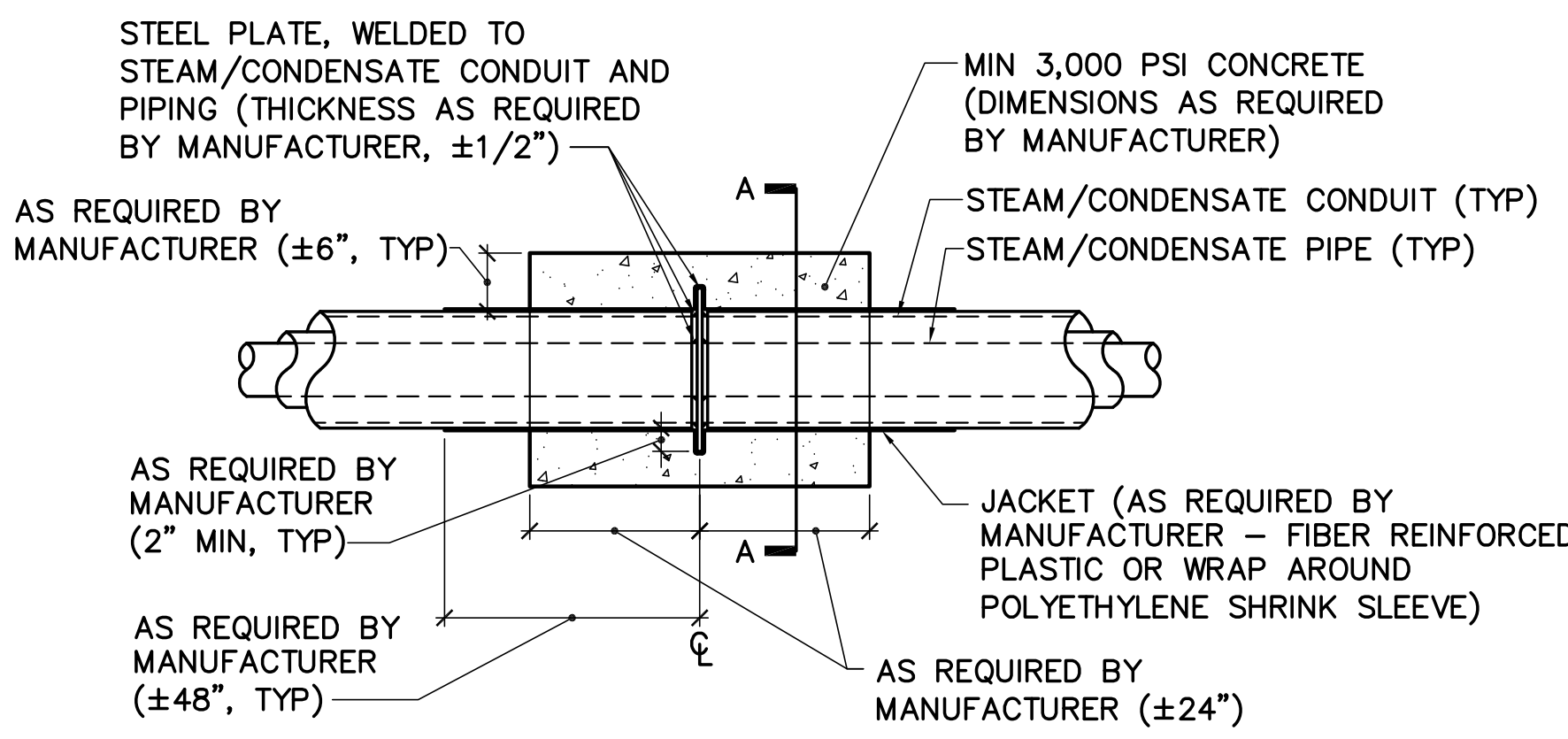
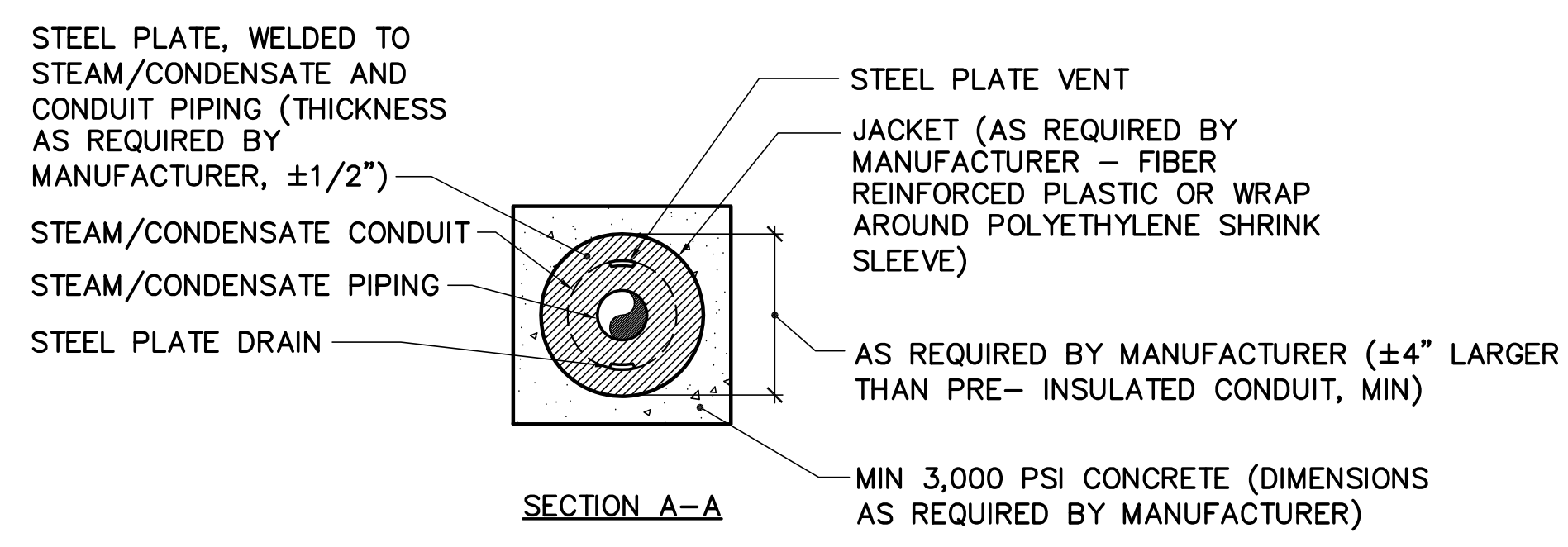


**EXISTING UTILITY NOTE:**  
 UTILITY SIZE, NUMBER, LOCATION, AND ELEVATION INDICATED ARE BASED ON PLAN REFERENCES ONLY. DETERMINE EXACT LOCATION OF ALL UTILITIES AND REPORT ANY DISCREPANCIES TO THE ARCHITECT BEFORE INSTALLING STEAM AND CONDENSATE PIPING.

**1 STEAM AND CONDENSATE PIPING PROFILE**  
 C-502 SCALE: 1"=10' (HORIZONTAL)  
 1"=1' (VERTICAL)



- NOTES:**
1. PROVIDE WALL PENETRATIONS IN ACCORDANCE WITH MANUFACTURER'S WRITTEN REQUIREMENTS.
  2. MODULAR MECHANICAL WATERTIGHT SEAL: MATERIAL: EPDM OR NITRILE WITH 316 STAINLESS STEEL HARDWARE. TEMPERATURE RANGE: -40° TO 250° FAHRENHEIT. INSTALL PER MANUFACTURERS WRITTEN INSTRUCTIONS.
  3. INSTALL SUPPORTS AND ANCHORING IN ACCORDANCE WITH MANUFACTURER'S WRITTEN RECOMMENDATIONS.
  4. COORDINATE STEAM AND CONDENSATE PENETRATIONS WITH SHEETS MP101, MP102, AND SB402.



**3 STEAM AND CONDENSATE PIPING AND TRENCH DETAIL**  
 C-502 NOT TO SCALE

**3 STEAM AND CONDENSATE WALL PENETRATION DETAIL**  
 C-502 NOT TO SCALE

**4 STEAM AND CONDENSATE ANCHOR DETAIL**  
 C-502 NOT TO SCALE