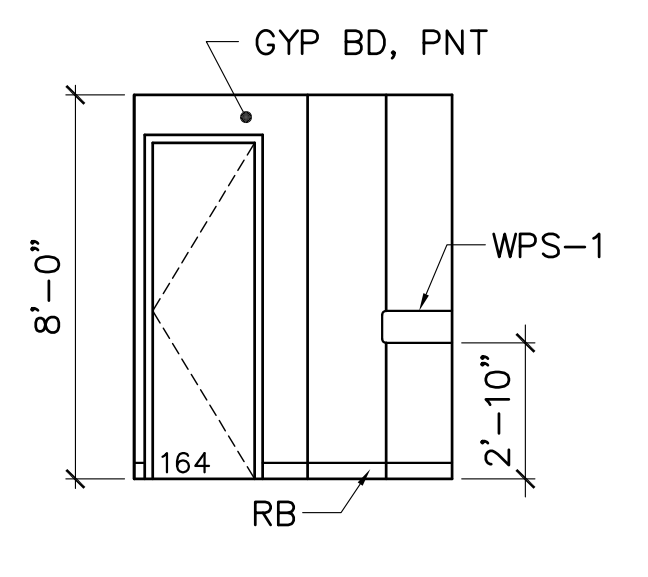
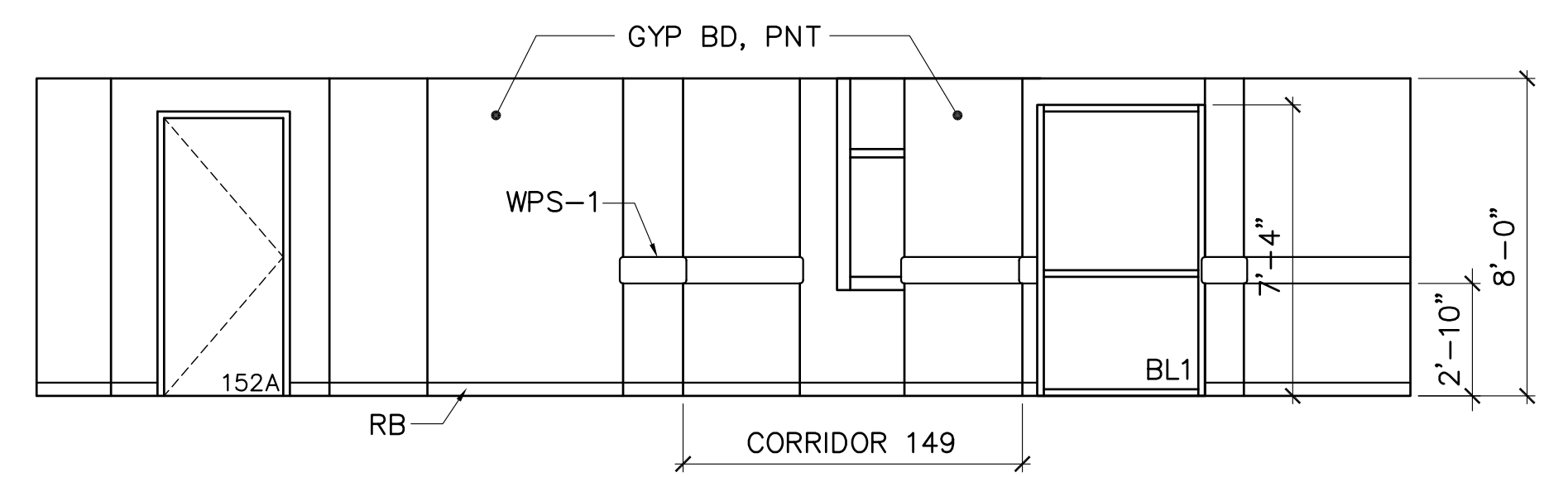


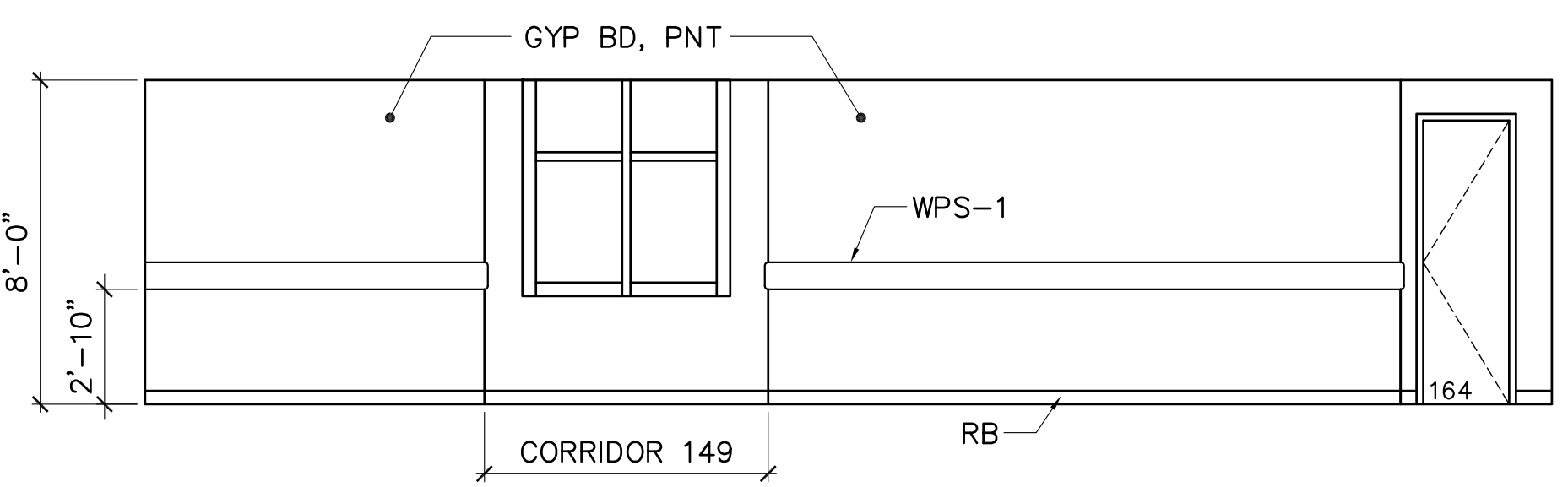
19 CORRIDOR 160
AE101/AE742 SCALE: 1/4"=1'-0"



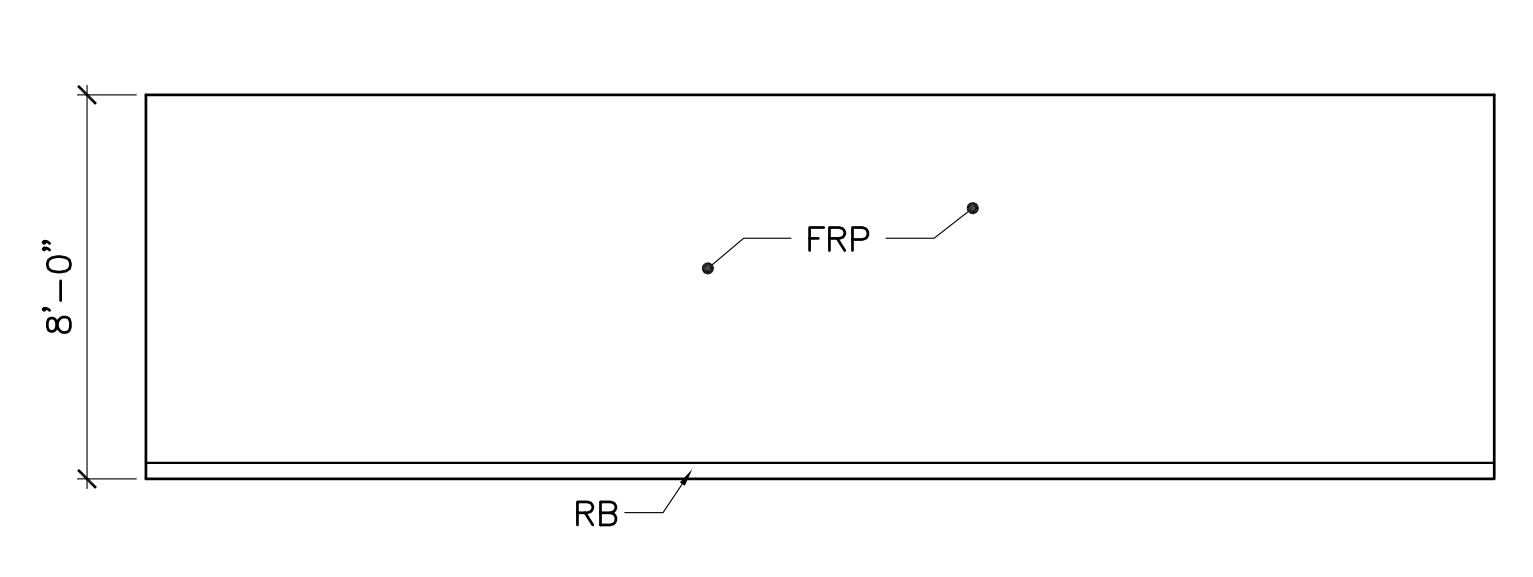
20 CORRIDOR 160
AE101/AE742 SCALE: 1/4"=1'-0"



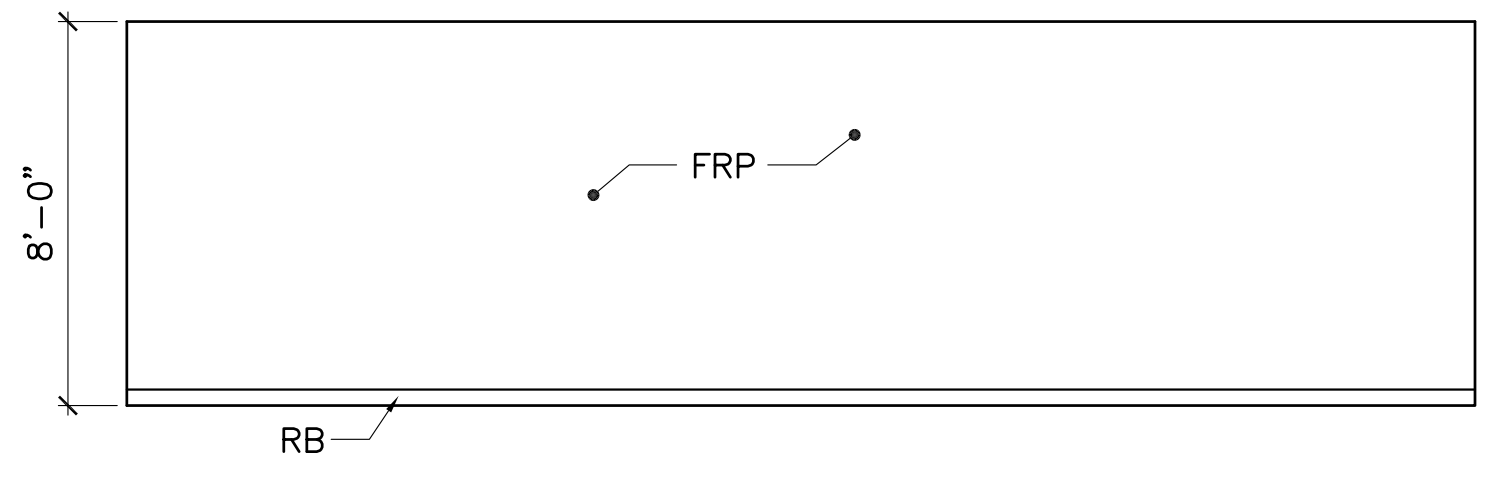
21 CORRIDOR 160
AE101/AE742 SCALE: 1/4"=1'-0"



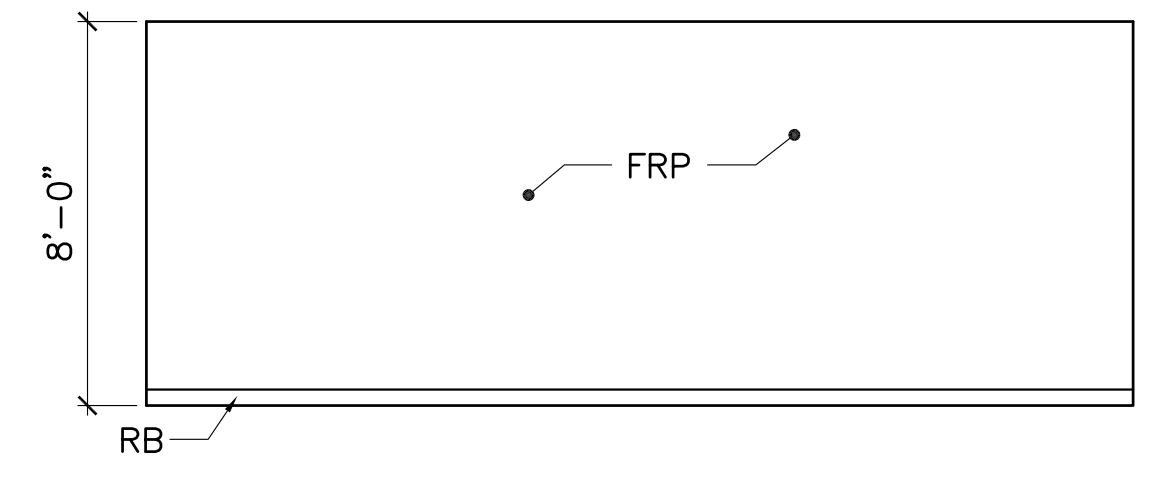
22 CORRIDOR 160
AE101/AE742 SCALE: 1/4"=1'-0"



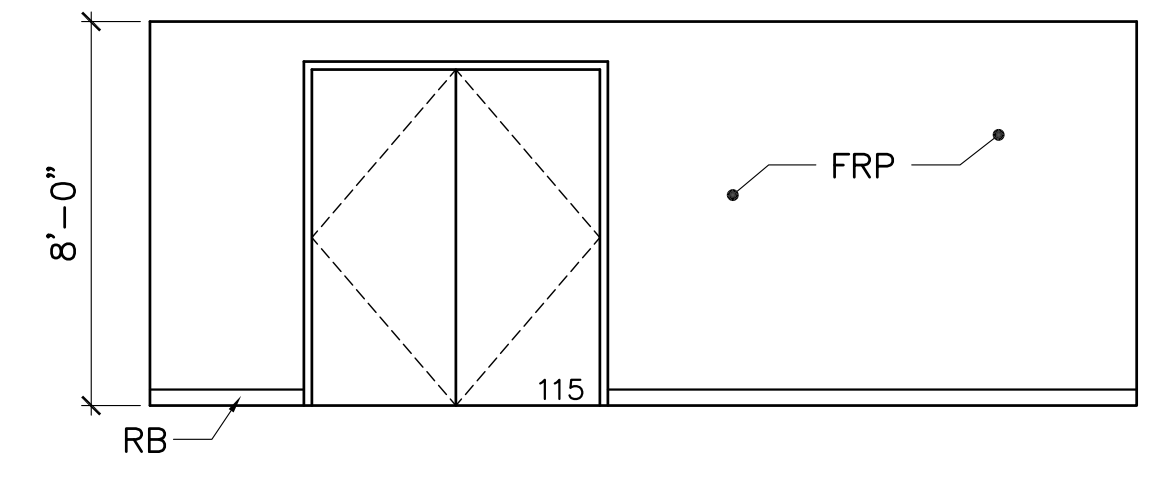
23 KITCHEN RM 115 ELEVATION
AE101/AE742 SCALE: 1/4"=1'-0"



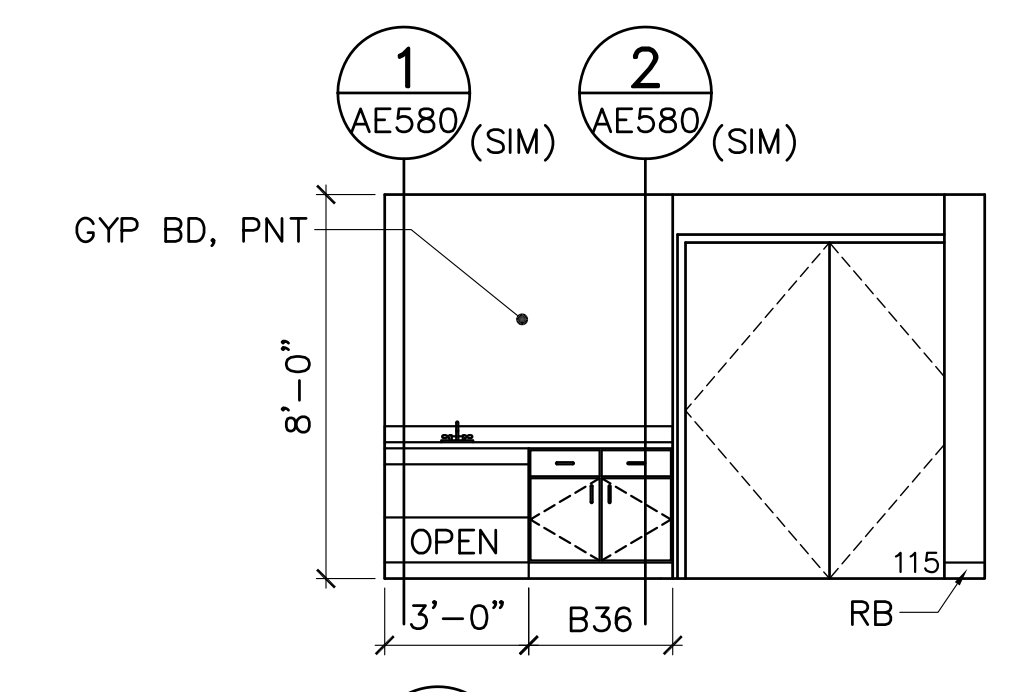
24 KITCHEN RM 115 ELEVATION
AE101/AE742 SCALE: 1/4"=1'-0"



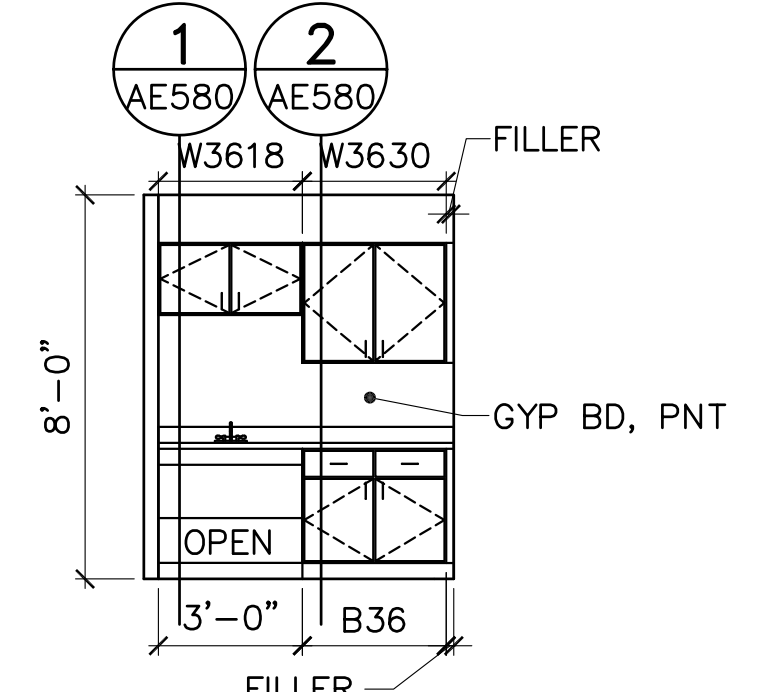
25 KITCHEN RM 115 ELEVATION
AE101/AE742 SCALE: 1/4"=1'-0"



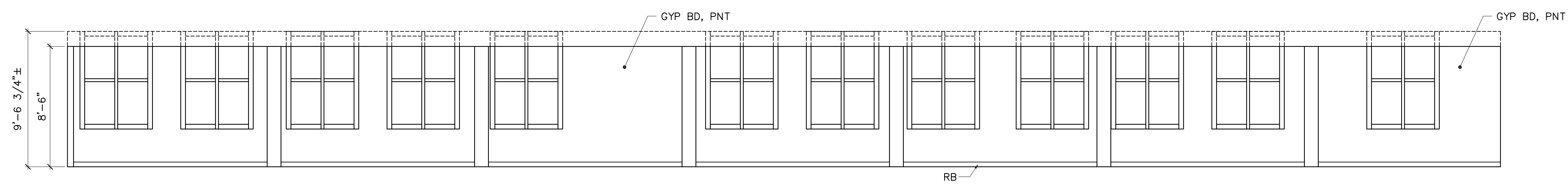
26 KITCHEN RM 115 ELEVATION
AE101/AE742 SCALE: 1/4"=1'-0"



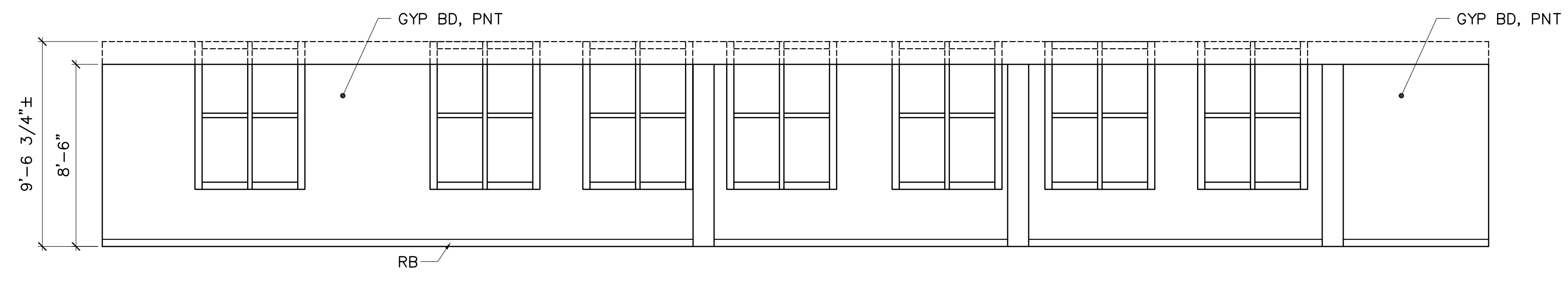
27 LAB STORAGE RM 146
AE101/AE742 SCALE: 1/4"=1'-0"



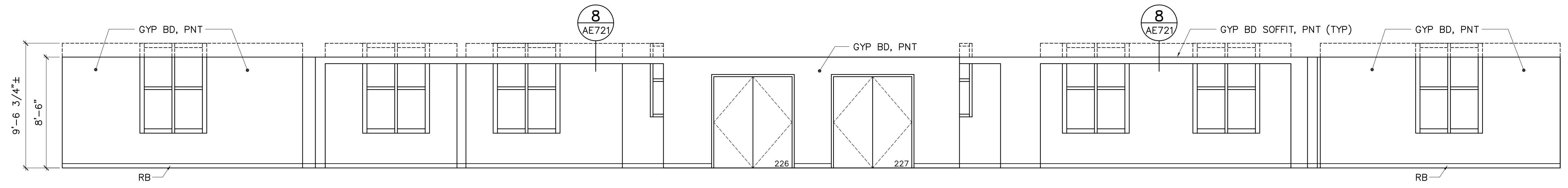
28 KITCHEN RM 165
AE101/AE742 SCALE: 1/4"=1'-0"



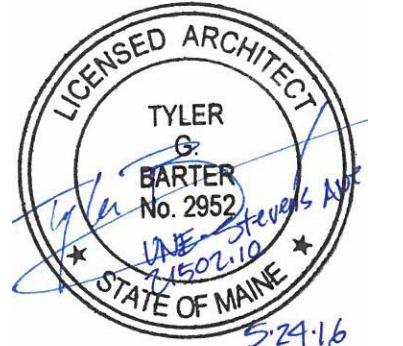
29 CONF RM 225
AE103/AE742 SCALE: 1/4"=1'-0"



30 CONF RM 225
AE103/AE742 SCALE: 1/4"=1'-0"



31 CONF RM 225
AE103/AE742 SCALE: 1/4"=1'-0"



DESIGNED BY: TGB
DRAWN BY: TGB
CHECKED BY: TGB
PROJECT: 21502.10

UNIVERSITY OF NEW ENGLAND
PORTLAND CAMPUS
STEVEN AVENUE ARMORY
716 STEVENS AVE
PORTLAND, MAINE 04103
1(207)283-0171

RENOVATIONS TO THE
STEVEN AVENUE ARMORY

INTERIOR
ELEVATIONS

SCALE: AS NOTED
DATE: 05-24-16

DWG. AE742

SHEET: 100 OF 169

