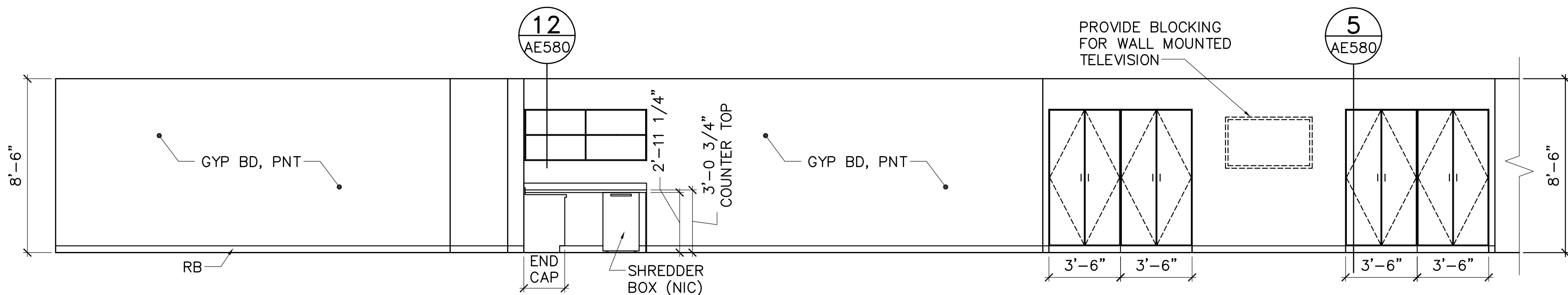
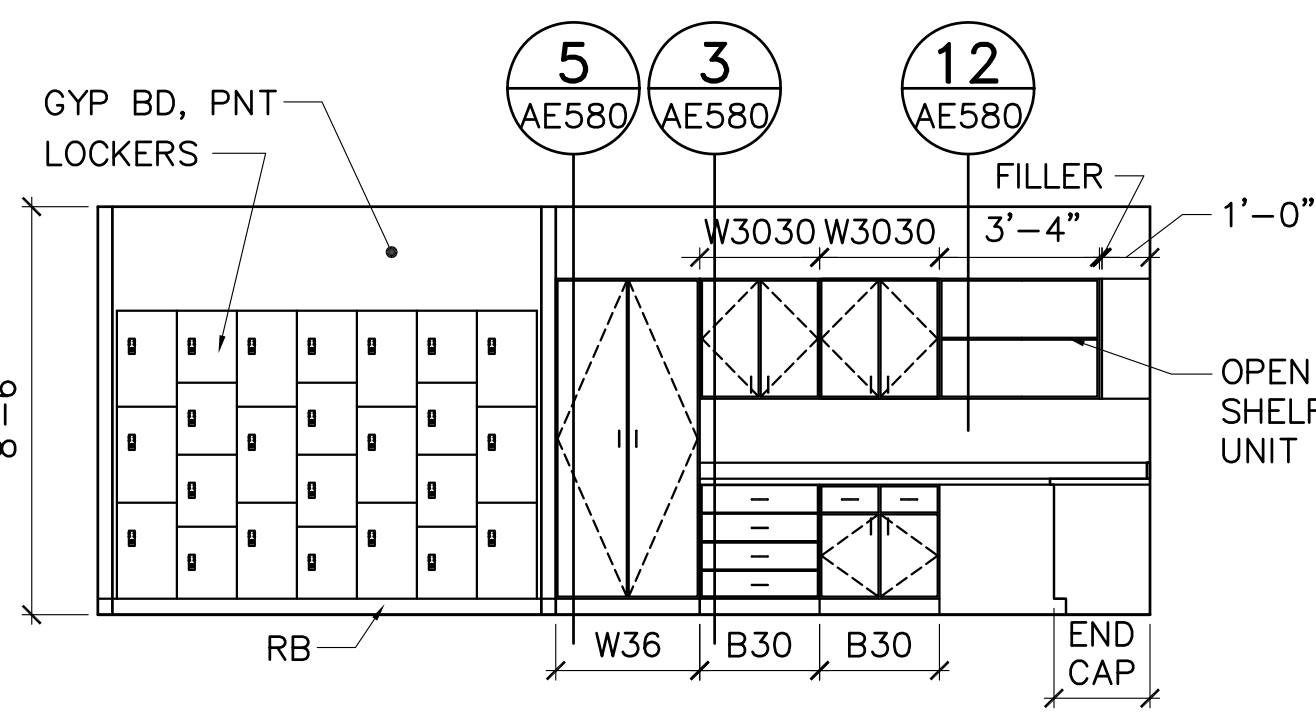


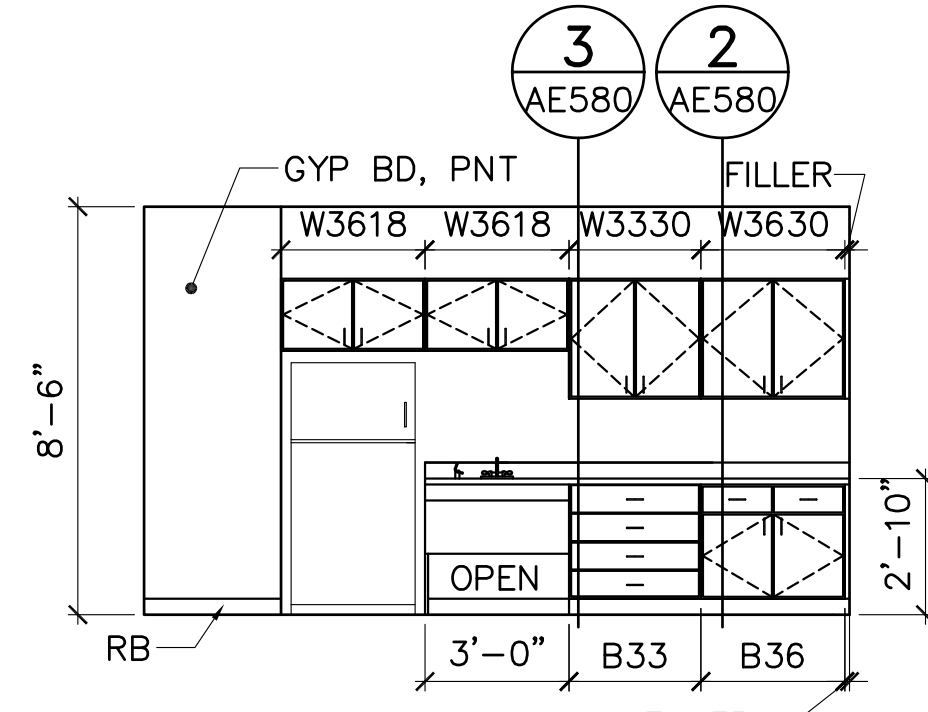
**1 OPEN OFFICE RM 225 ELEVATION**  
 AE103/AE741 SCALE: 1/4"=1'-0"



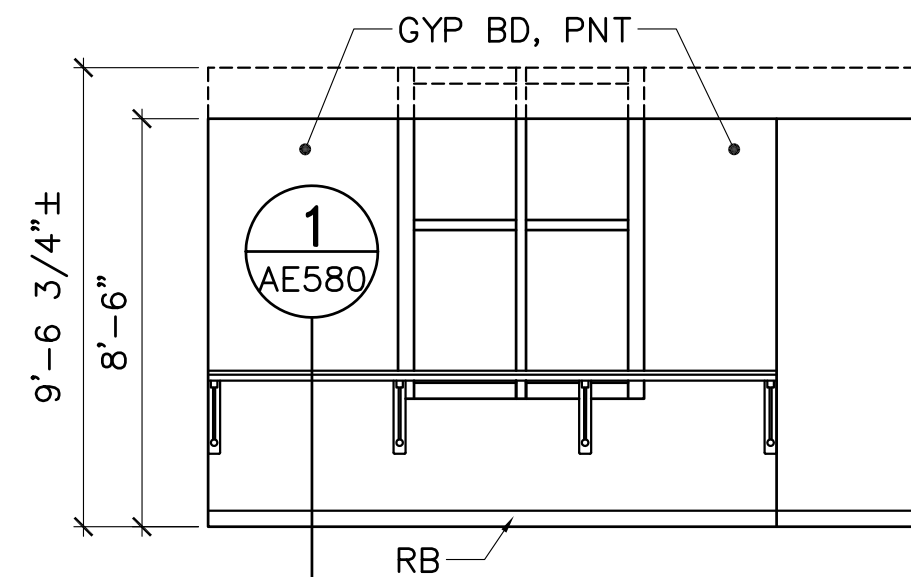
**2 OPEN OFFICE RM 225 ELEVATION**  
 AE103/AE741 SCALE: 1/4"=1'-0"



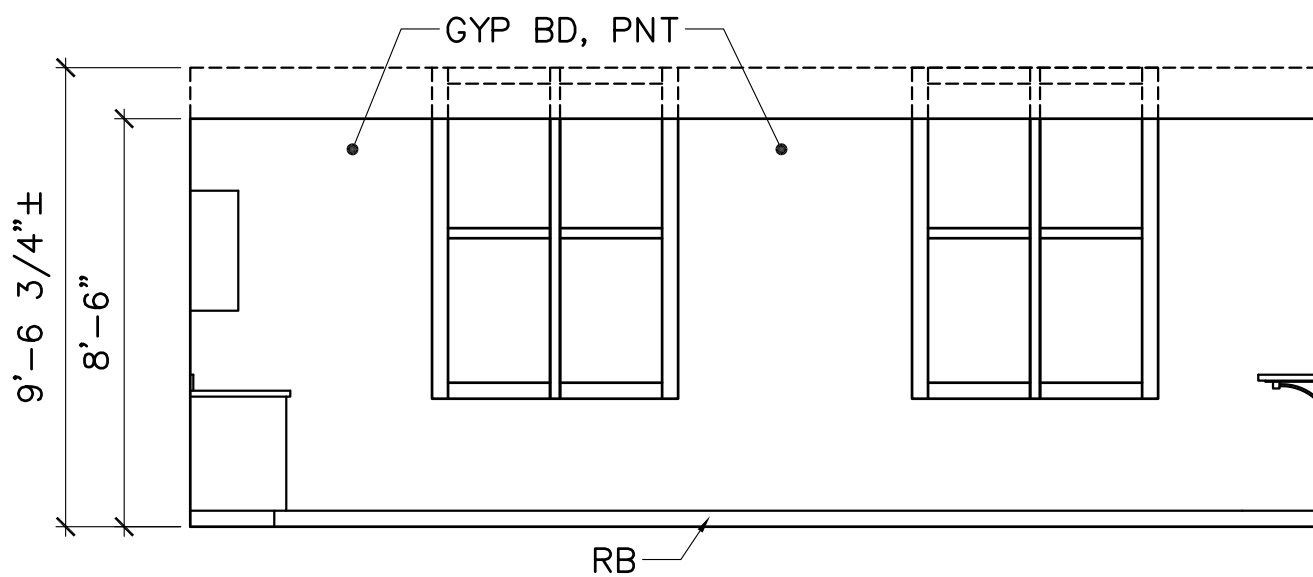
**3 OPEN OFFICE RM 225 ELEVATION**  
 AE103/AE741 SCALE: 1/4"=1'-0"



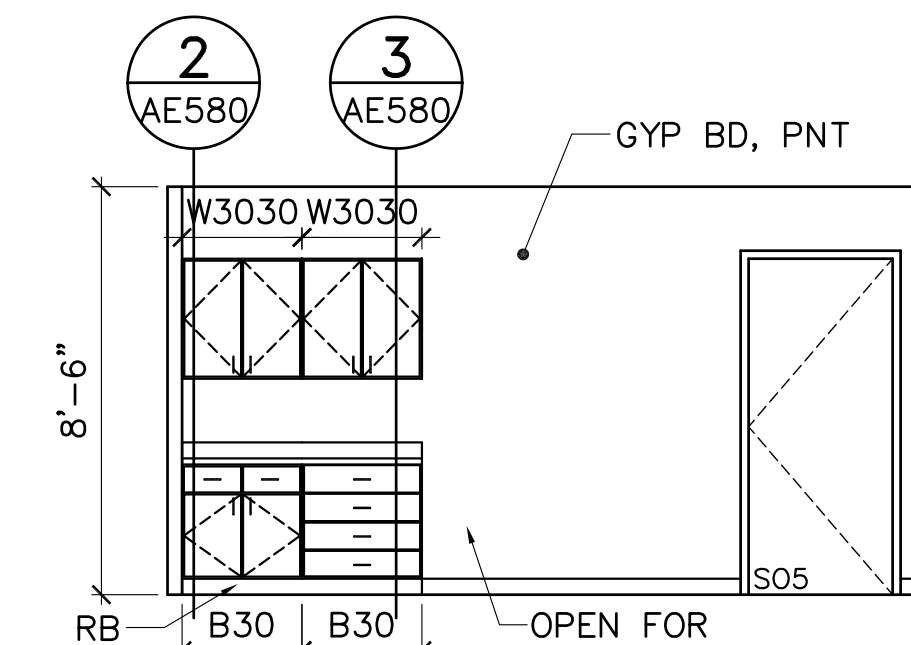
**4 BREAK ROOM RM 231 ELEVATION**  
 AE103/AE741 SCALE: 1/4"=1'-0"



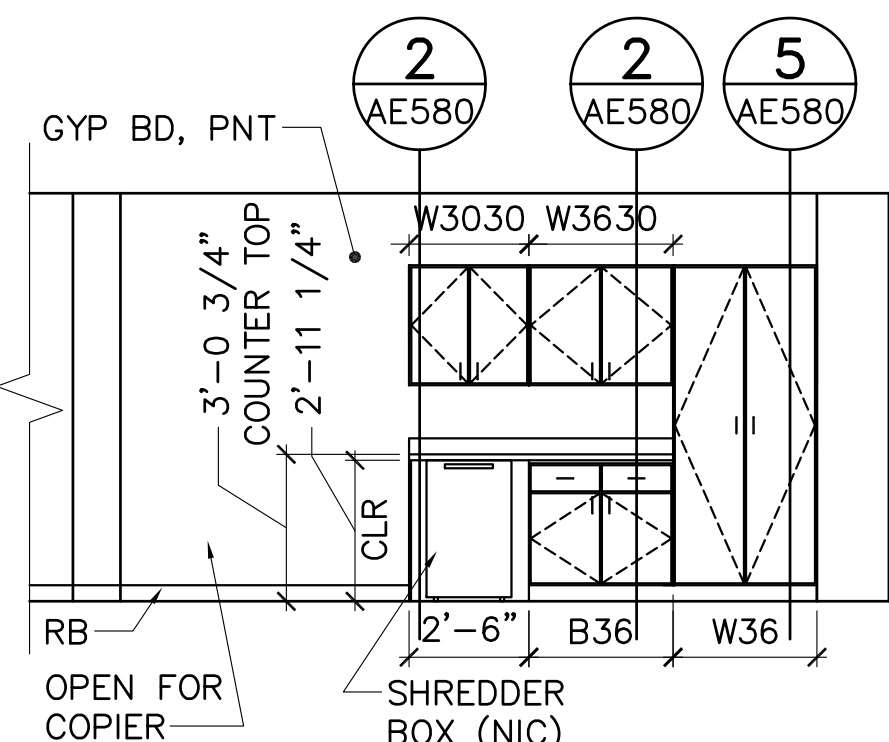
**5 BREAK ROOM RM 231 ELEVATION**  
 AE103/AE741 SCALE: 1/4"=1'-0"



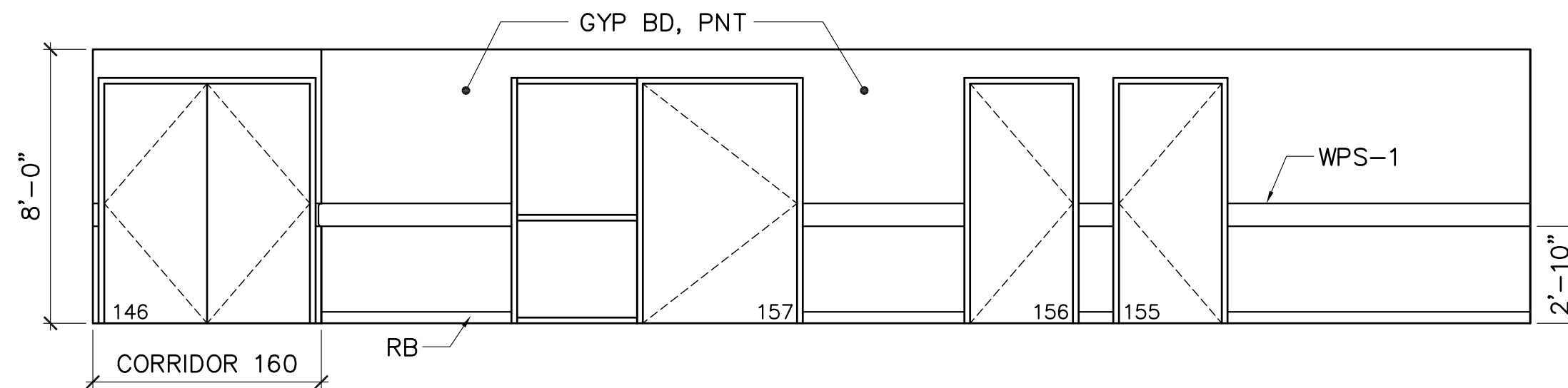
**6 BREAK ROOM RM 231 ELEVATION**  
 AE103/AE741 SCALE: 1/4"=1'-0"



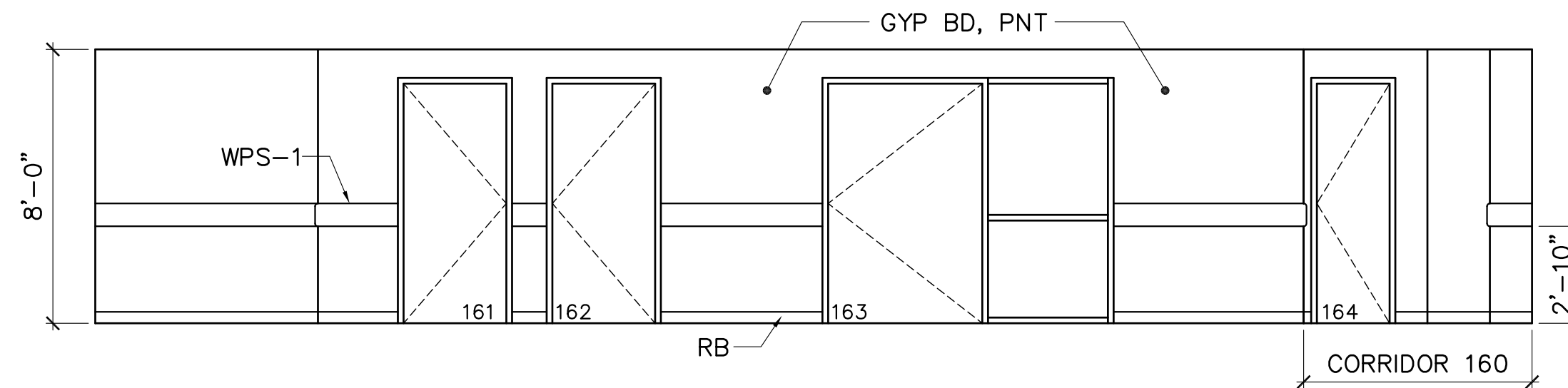
**7 OPEN OFFICE RM 225 ELEVATION**  
 AE103/AE741 SCALE: 1/4"=1'-0"



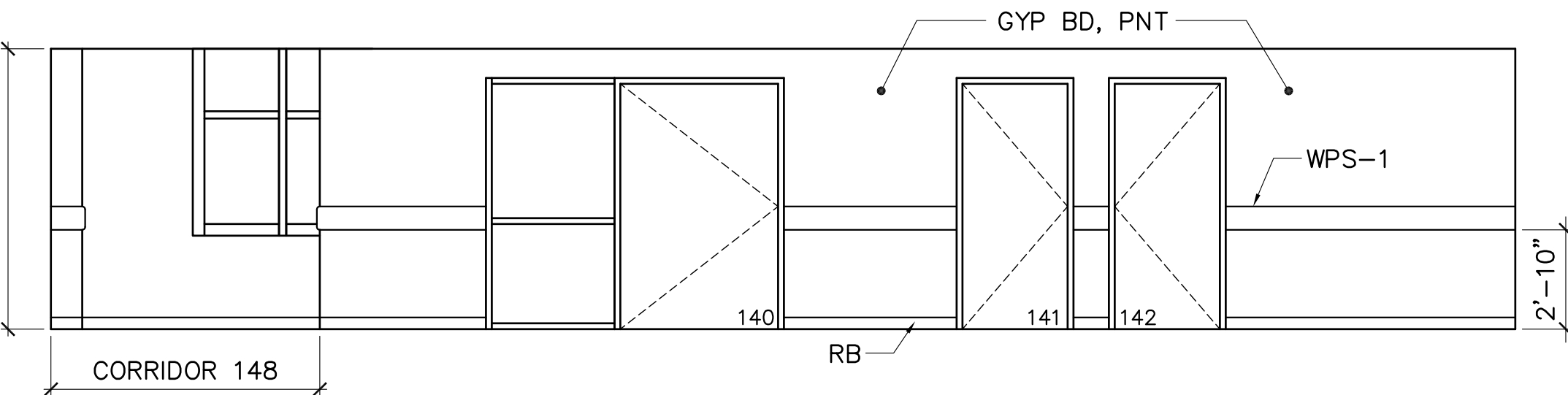
**9 OPEN OFFICE RM 225 ELEVATION**  
 AE103/AE741 SCALE: 1/4"=1'-0"



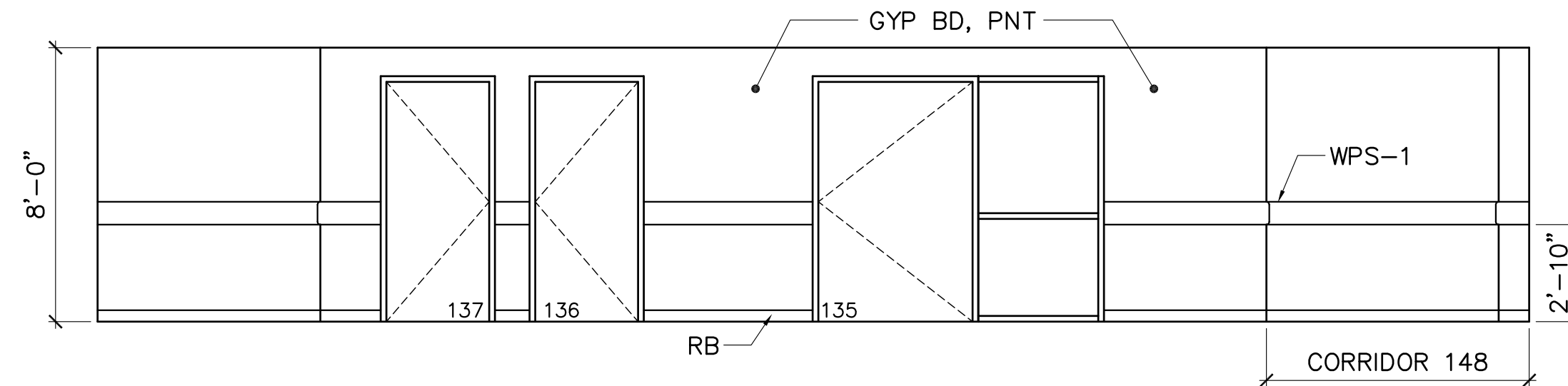
**10 CORRIDOR 158**  
 AE101/AE741 SCALE: 1/4"=1'-0"



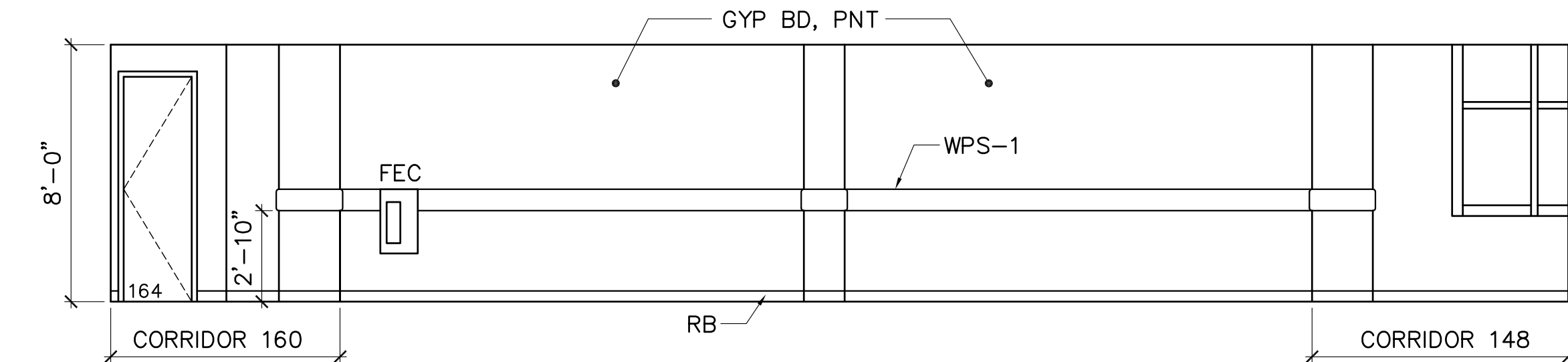
**11 CORRIDOR 158**  
 AE101/AE741 SCALE: 1/4"=1'-0"



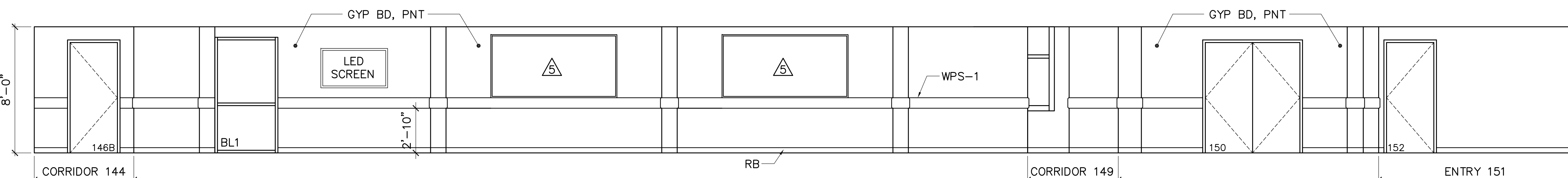
**12 CORRIDOR 138**  
 AE101/AE741 SCALE: 1/4"=1'-0"



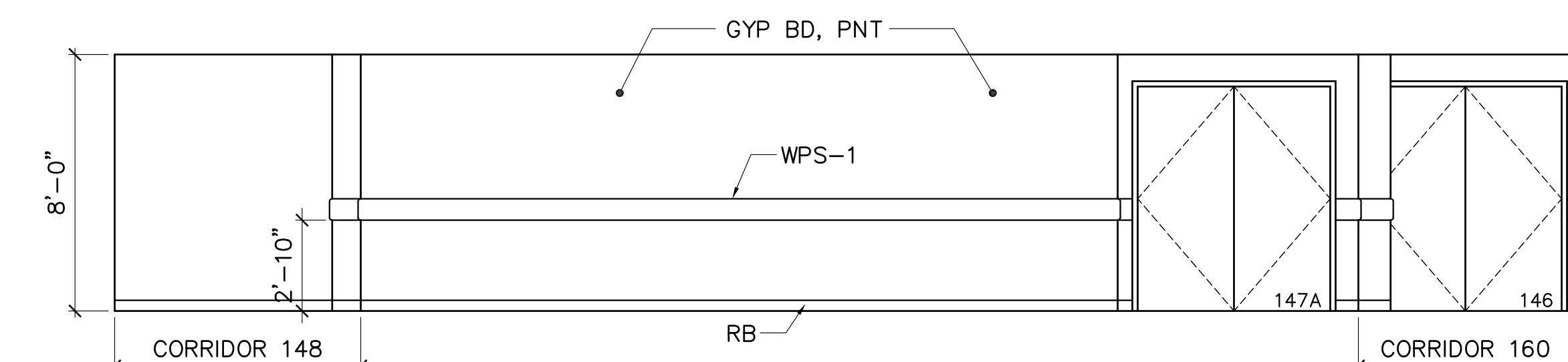
**13 CORRIDOR 138**  
 AE101/AE741 SCALE: 1/4"=1'-0"



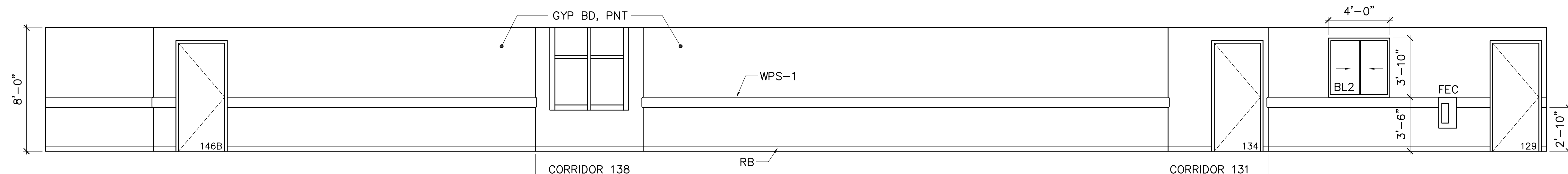
**14 CORRIDOR 149**  
 AE101/AE741 SCALE: 1/4"=1'-0"



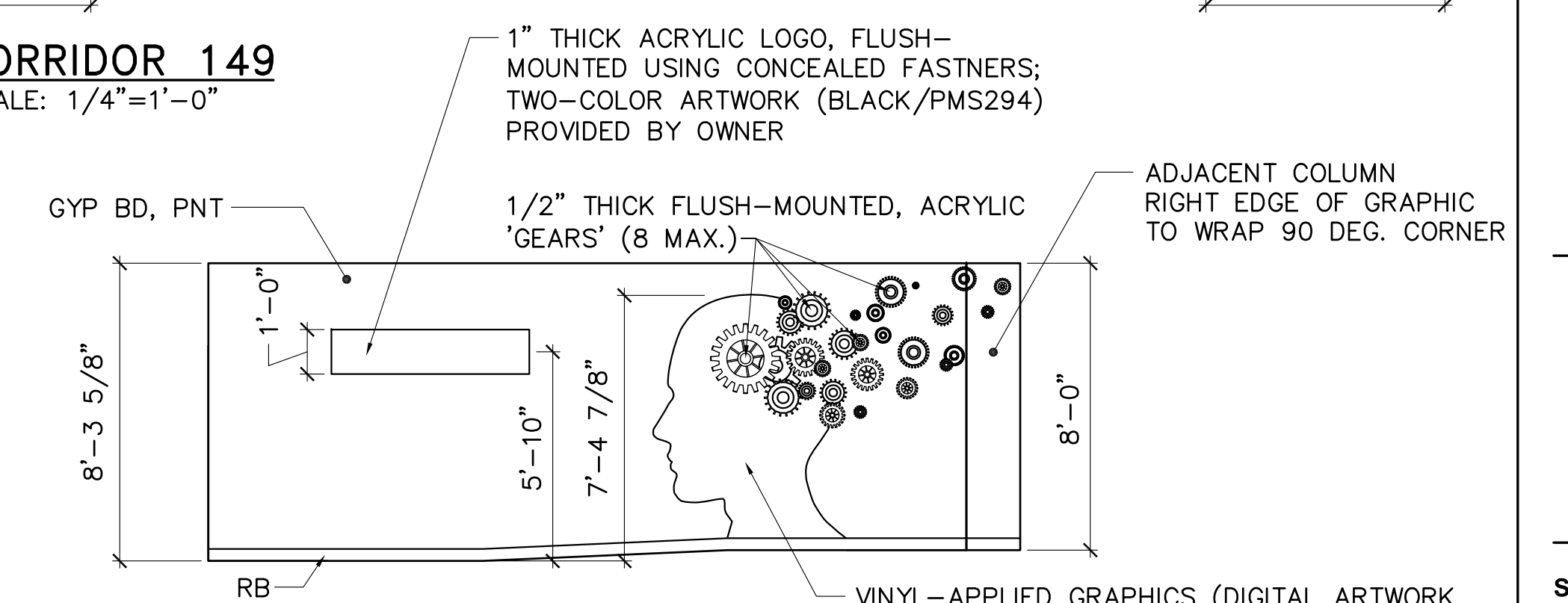
**15 CORRIDOR 148**  
 AE101/AE741 SCALE: 1/4"=1'-0"



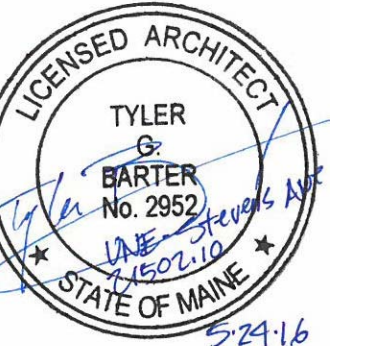
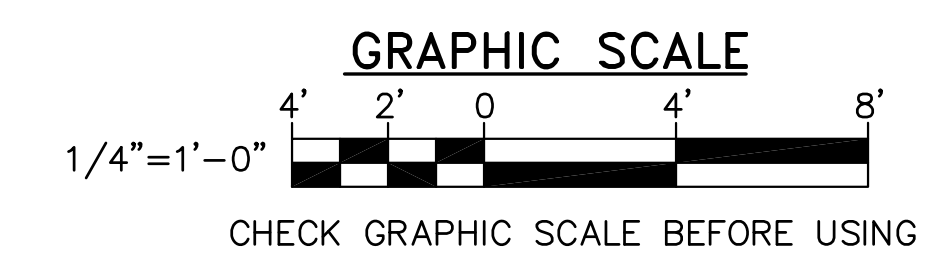
**17 CORRIDOR 149**  
 AE101/AE741 SCALE: 1/4"=1'-0"



**16 CORRIDOR 148**  
 AE101/AE741 SCALE: 1/4"=1'-0"



**18 CORRIDOR 126**  
 AE101/AE741 SCALE: 1/4"=1'-0"



DESIGNED BY: TGB  
 DRAWN BY: TGB  
 CHECKED BY: TGB  
 PROJECT: 21502.10

UNIVERSITY OF NEW ENGLAND  
 PORTLAND CAMPUS  
 STEVEN AVENUE ARMORY  
 716 STEVENS AVE  
 PORTLAND, MAINE 04103  
 (1207)283-0171

RENOVATIONS TO THE  
 STEVENS AVENUE ARMORY

INTERIOR ELEVATIONS

SCALE: AS NOTED  
 DATE: 05-24-16

DWG. AE741

SHEET: 99 OF 169