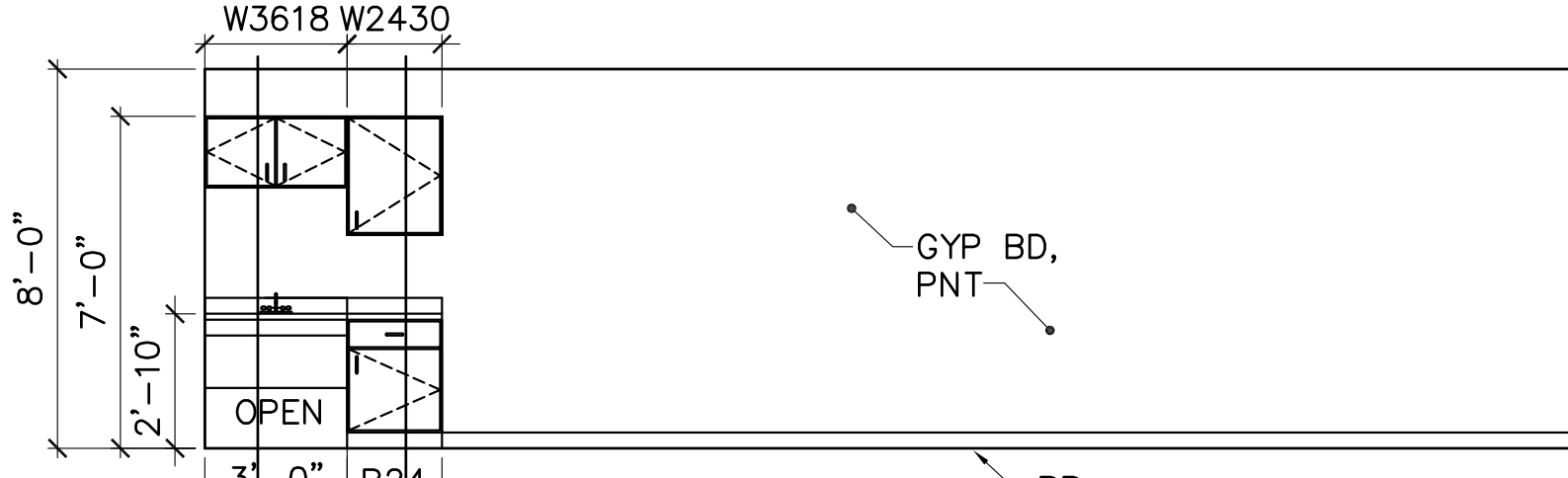
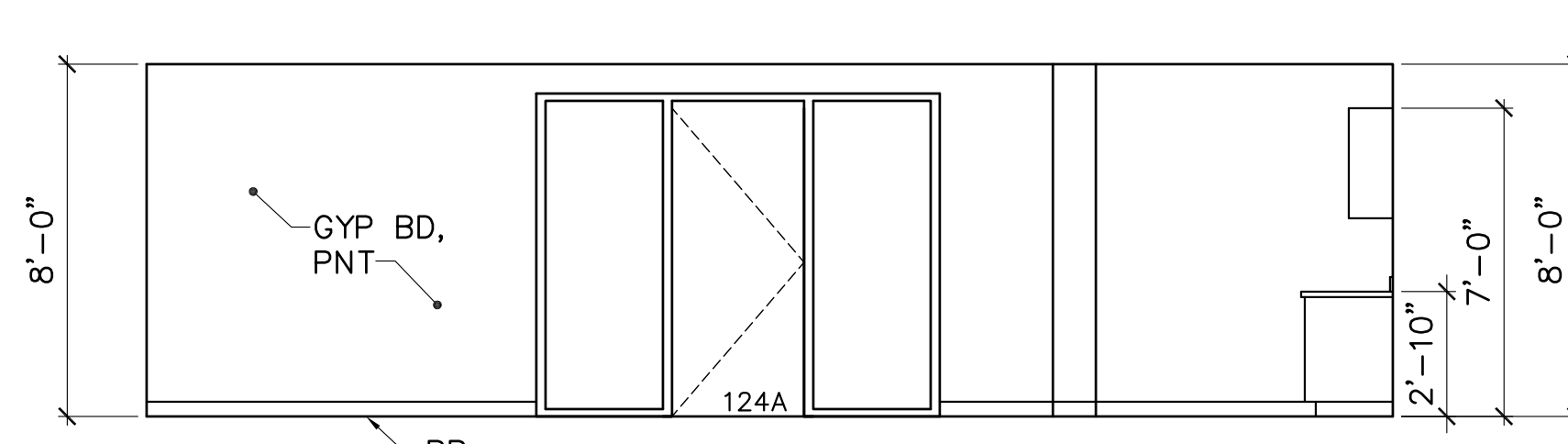


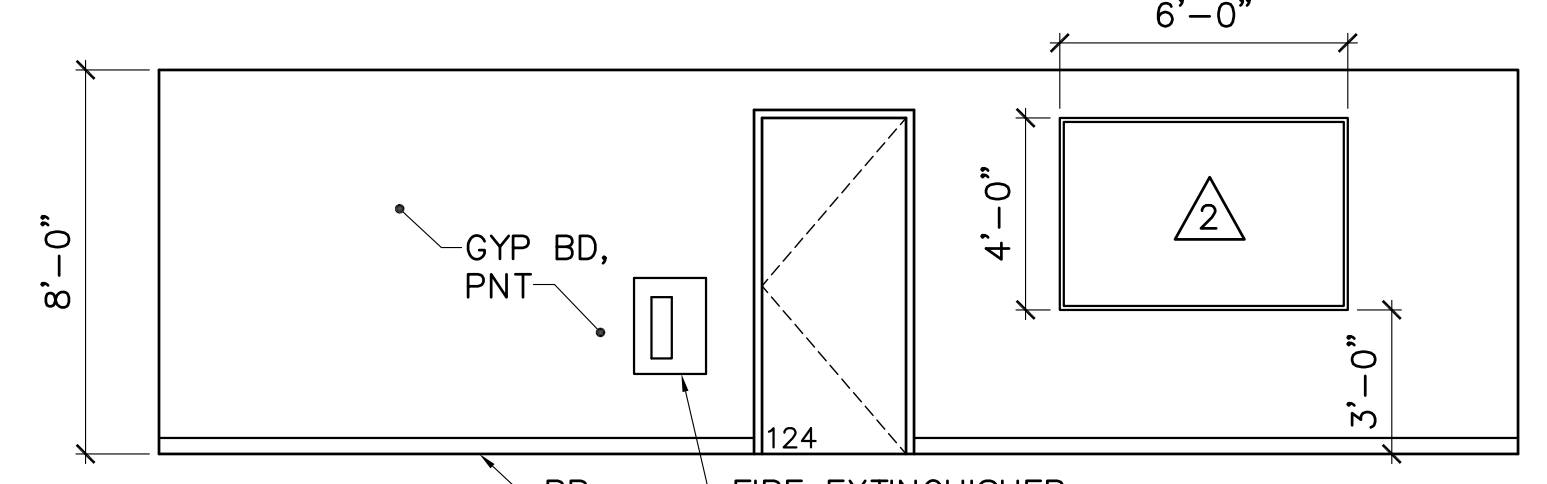
1 MAKER SPACE RM 124 ELEVATION
AE101/AE740 SCALE: 1/4"=1'-0"



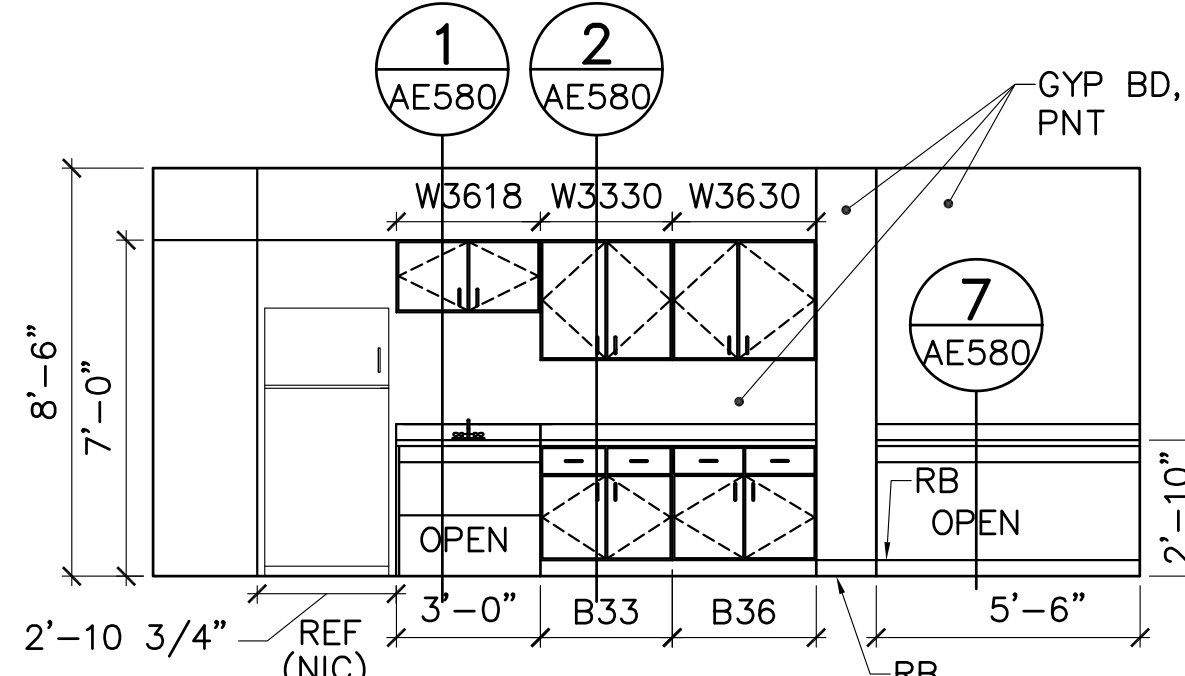
2 MAKER SPACE RM 124 ELEVATION
AE101/AE740 SCALE: 1/4"=1'-0"



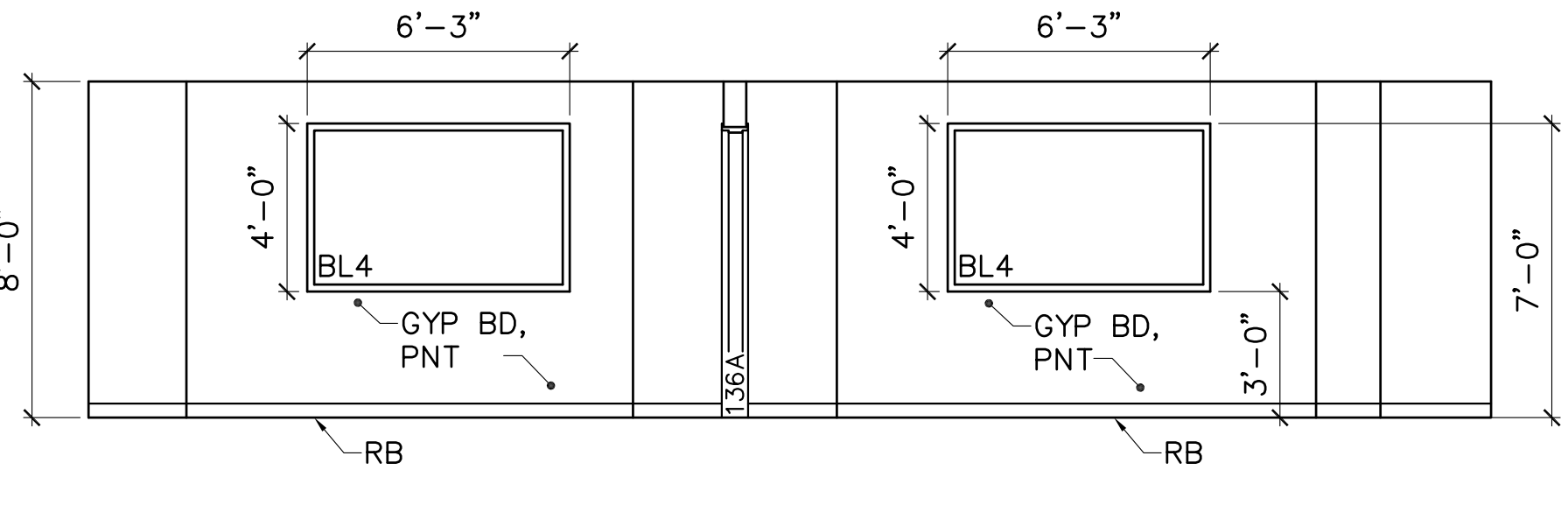
3 MAKER SPACE RM 124 ELEVATION
AE101/AE740 SCALE: 1/4"=1'-0"



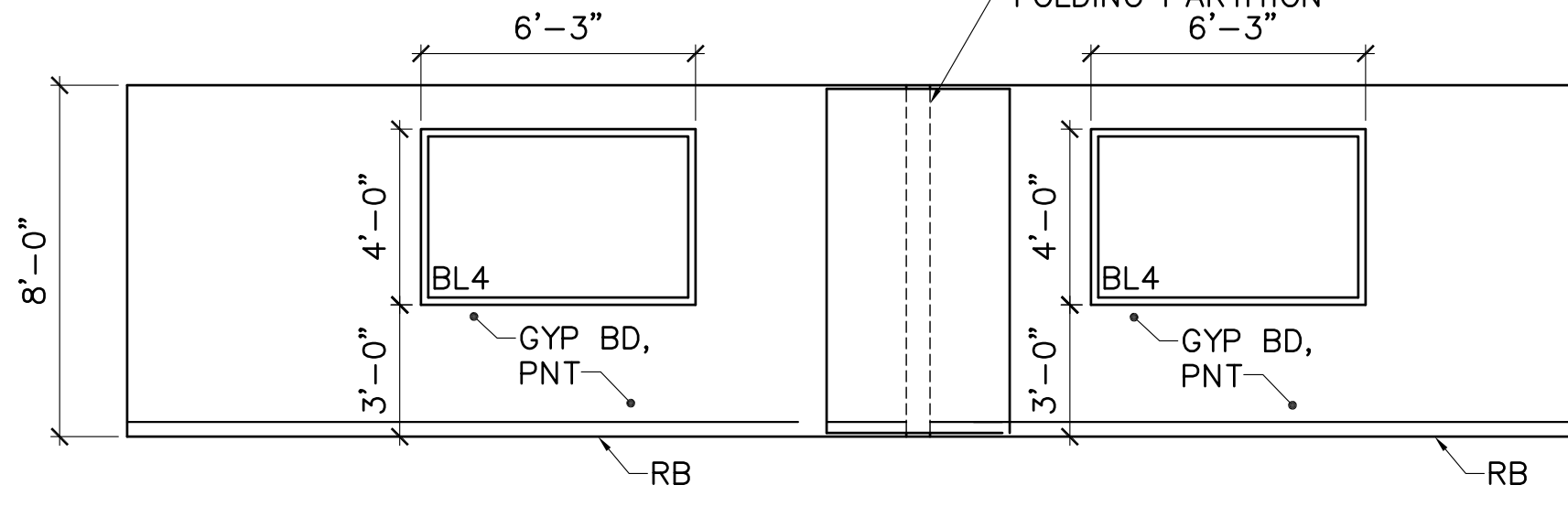
4 MAKER SPACE RM 124 ELEVATION
AE101/AE740 SCALE: 1/4"=1'-0"



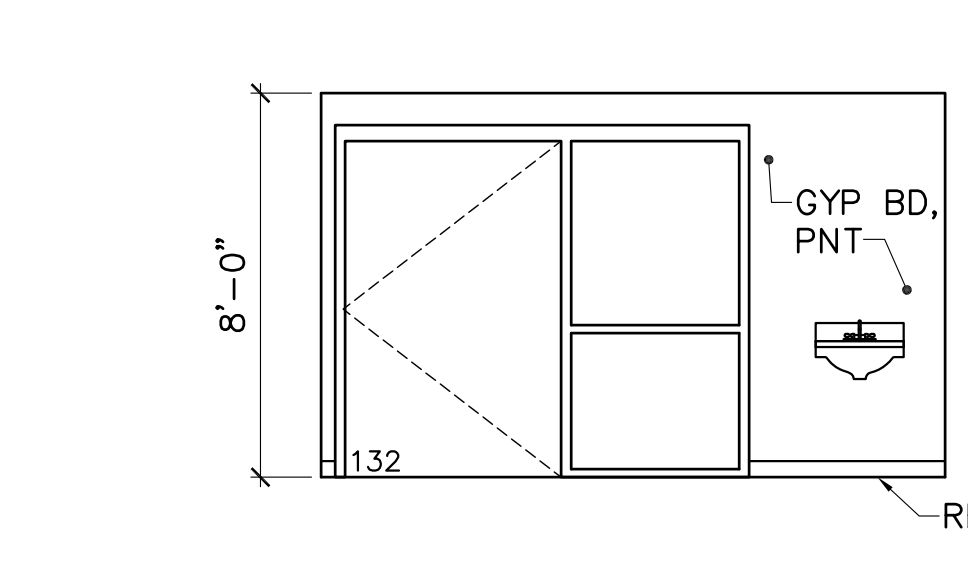
5 KITCHENETTE 114 ELEVATION
AE101/AE740 SCALE: 1/4"=1'-0"



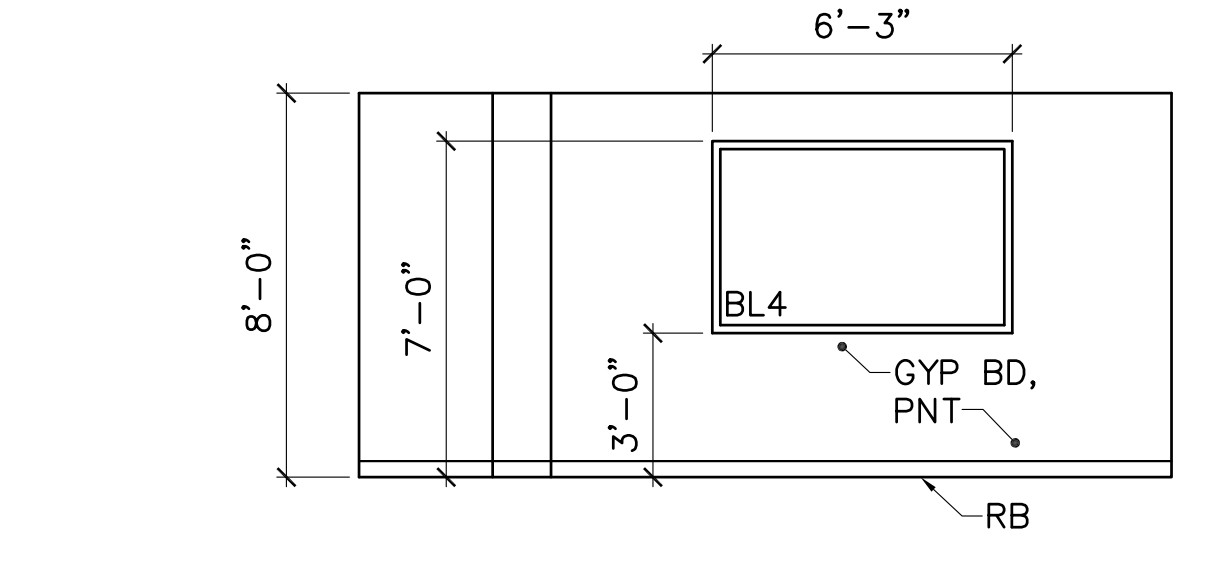
6 CONTROL ROOMS 133 & 136 ELEVATION
AE101/AE740 SCALE: 1/4"=1'-0"



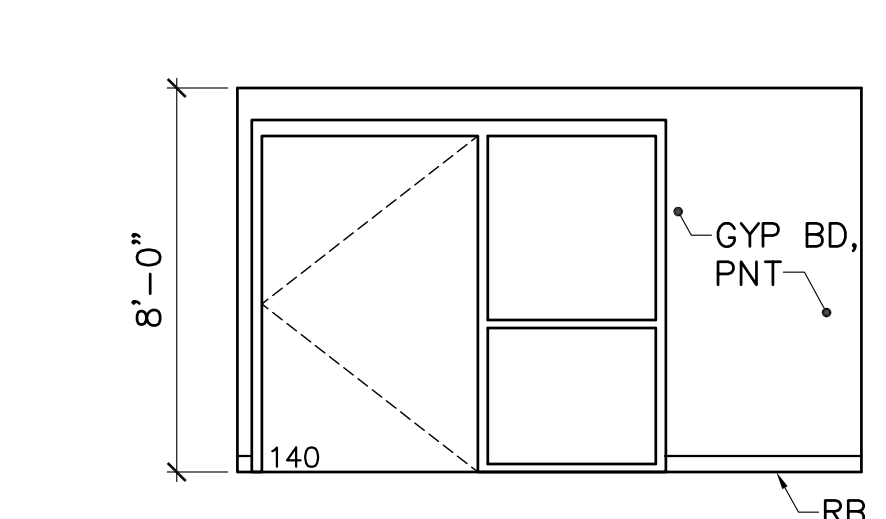
7 SIM ROOMS 132 & 135 ELEVATION
AE101/AE740 SCALE: 1/4"=1'-0"



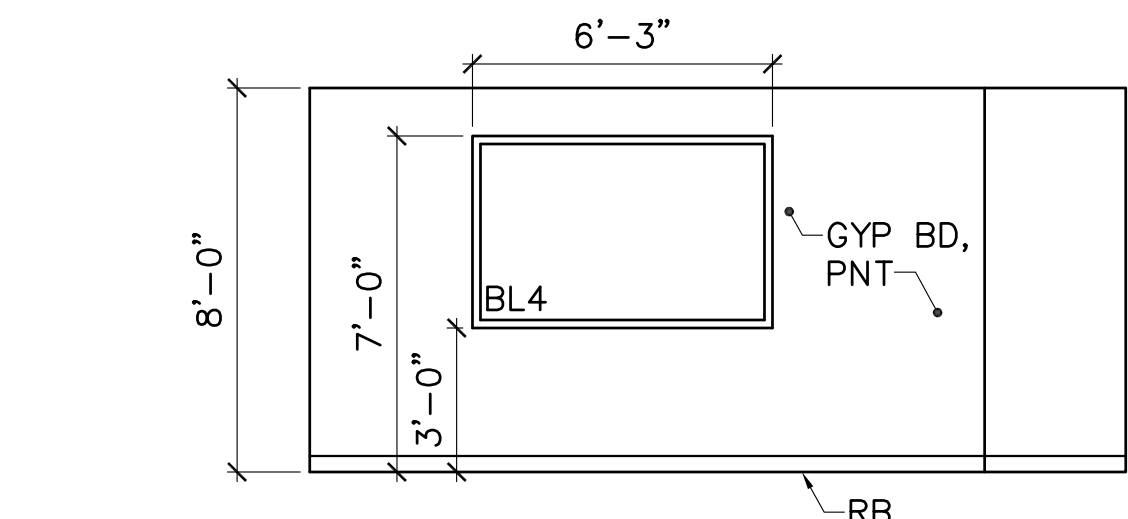
8 SIM ROOM 132 ELEVATION
AE101/AE740 SCALE: 1/4"=1'-0"



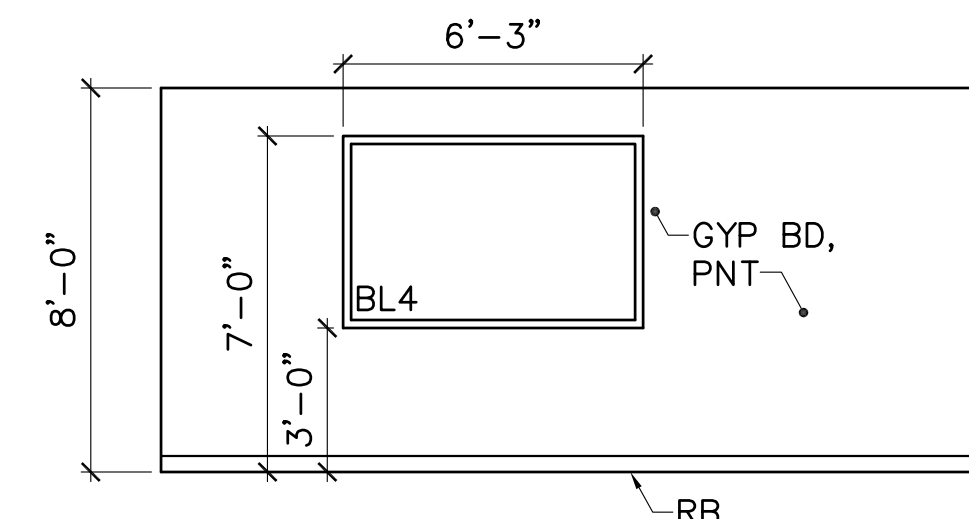
9 CONTROL ROOM 141 ELEVATION
AE101/AE740 SCALE: 1/4"=1'-0"



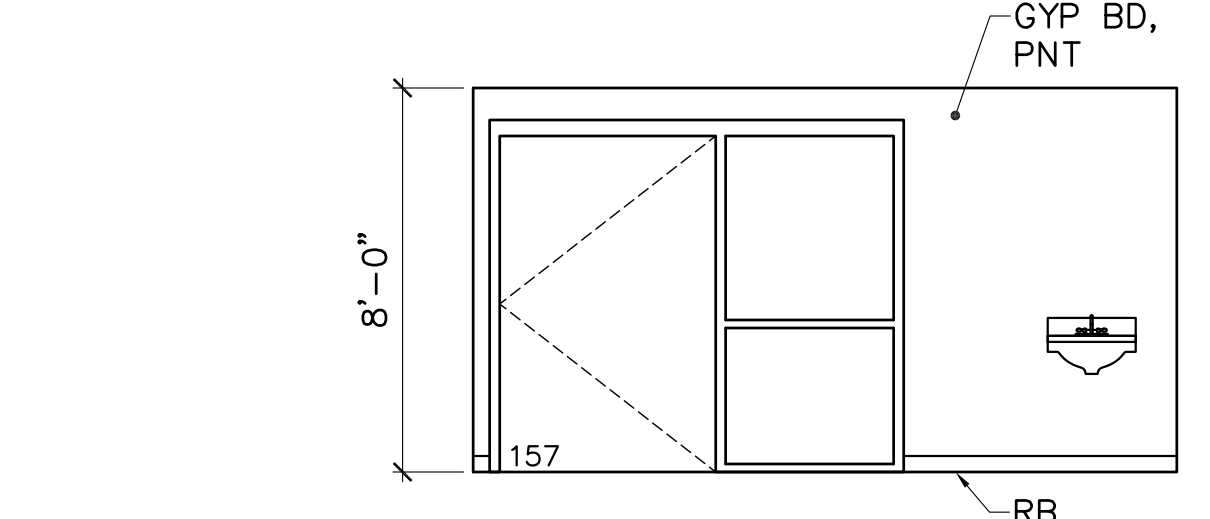
10 SIM ROOM 140 ELEVATION
AE101/AE740 SCALE: 1/4"=1'-0"



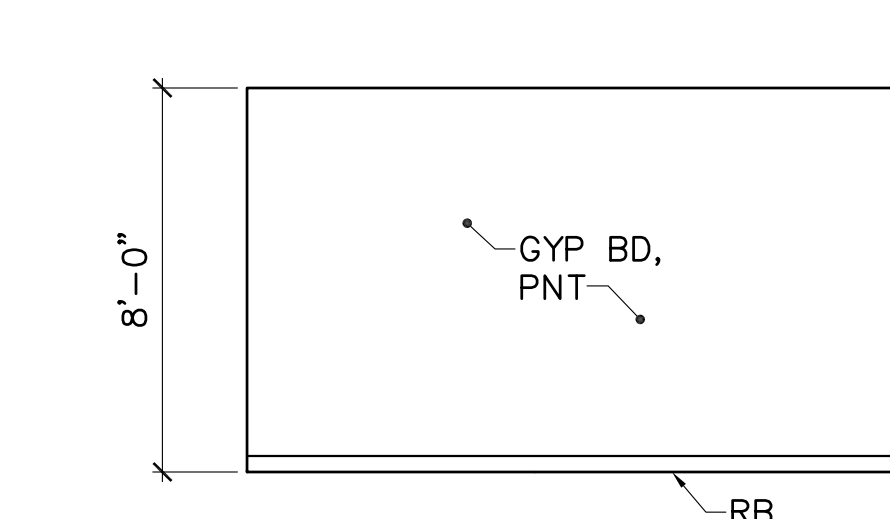
11 CONTROL ROOM 141 ELEVATION
AE101/AE740 SCALE: 1/4"=1'-0"



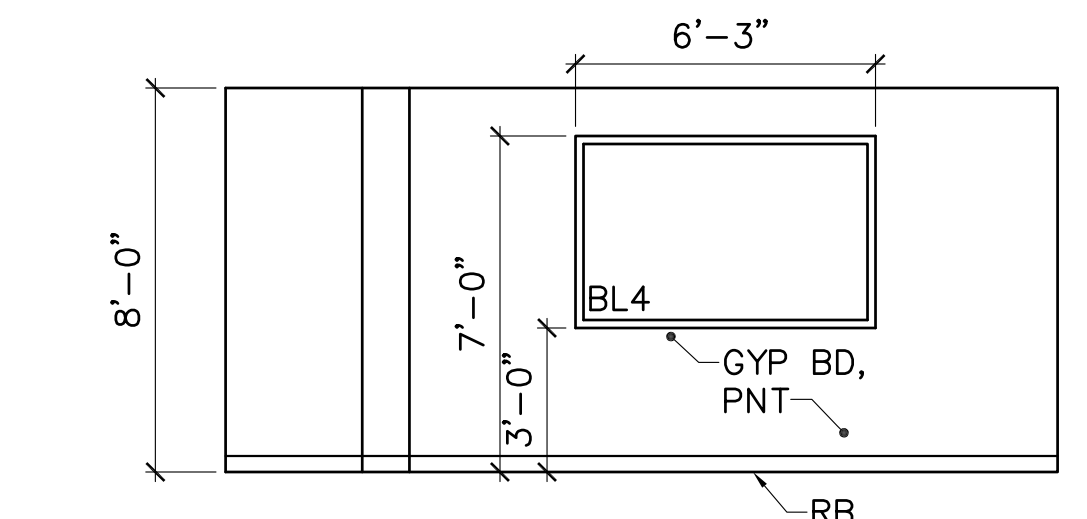
12 SIM ROOM 157 ELEVATION
AE101/AE740 SCALE: 1/4"=1'-0" (ROOM 163 MIR)



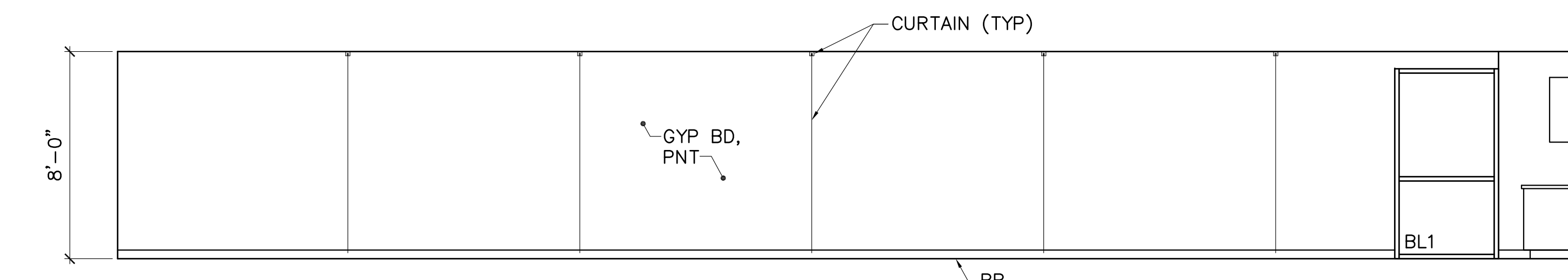
13 SIM ROOM 157 ELEVATION
AE101/AE740 SCALE: 1/4"=1'-0" (ROOM 163 MIR)



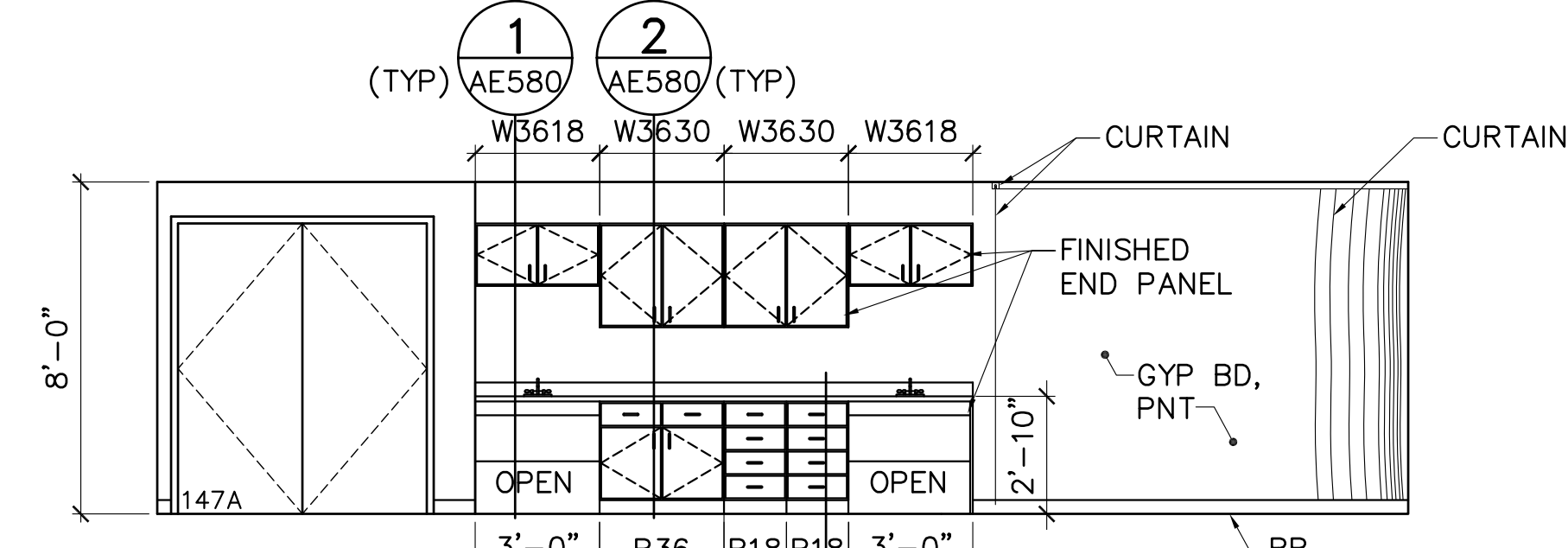
14 SIM ROOM 157 ELEVATION
AE101/AE740 SCALE: 1/4"=1'-0" (ROOM 163 MIR)



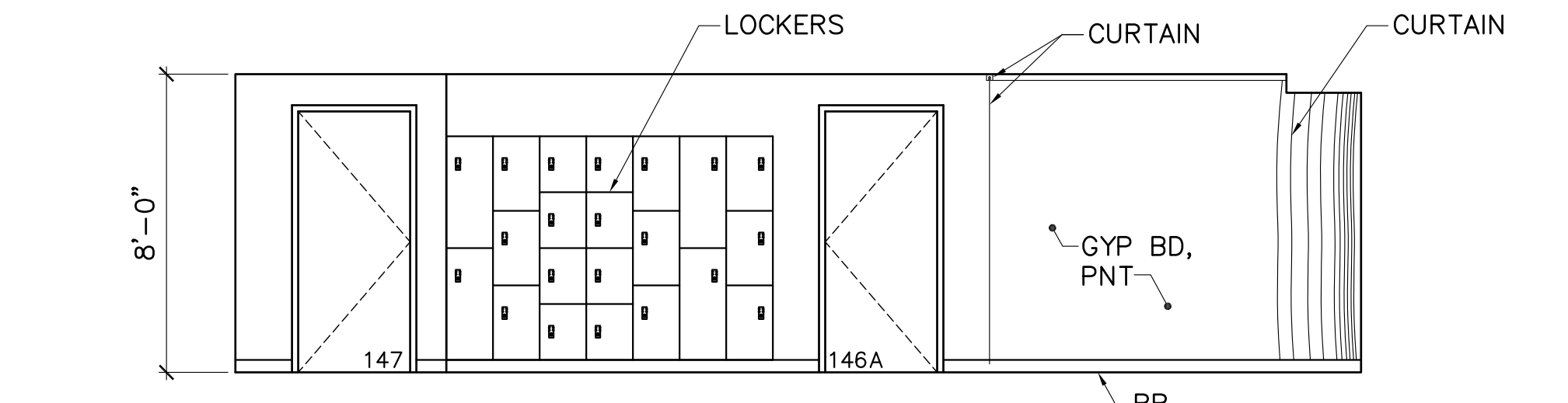
15 CONTROL ROOM 156 ELEVATION
AE101/AE740 SCALE: 1/4"=1'-0" (ROOM 162 MIR)



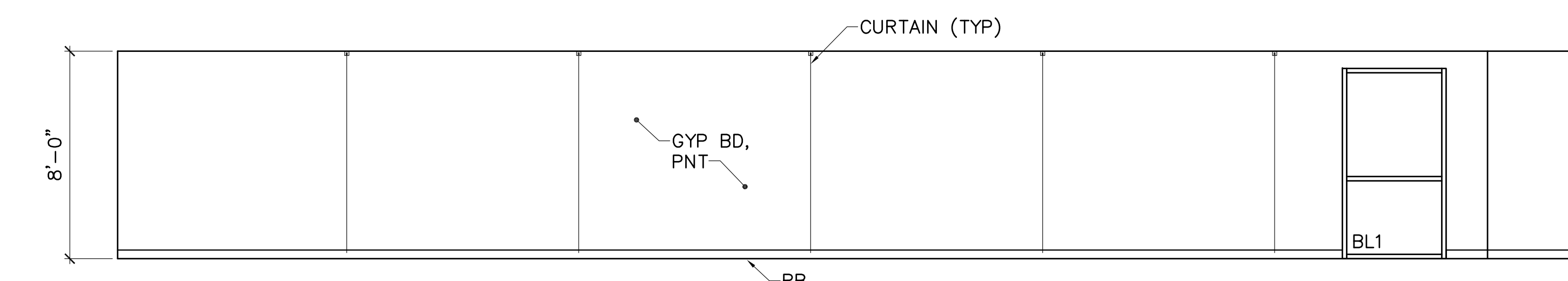
16 BED LAB 147 ELEVATION
AE101/AE740 SCALE: 1/4"=1'-0"



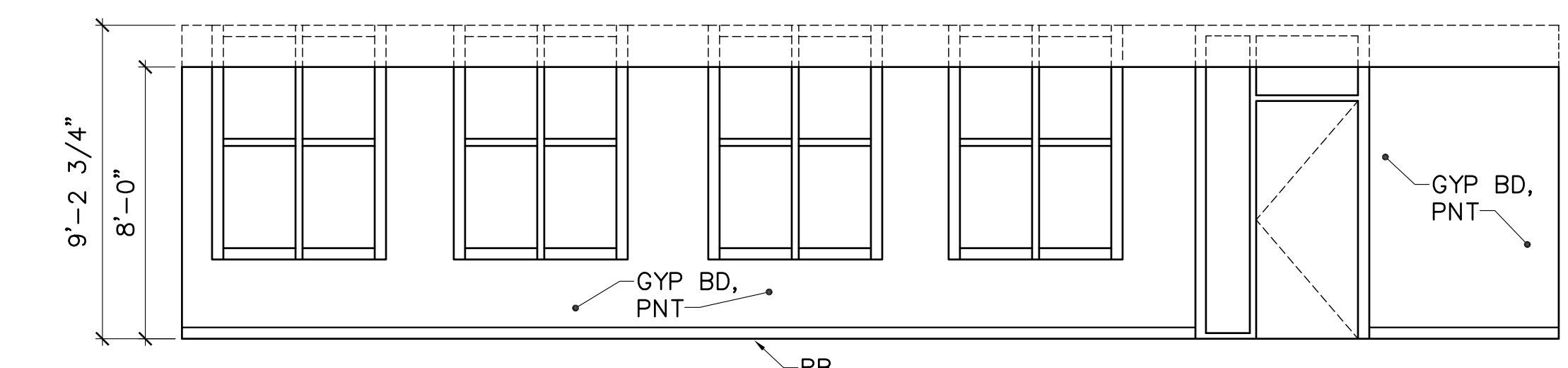
17 BED LAB 147 ELEVATION
AE101/AE740 SCALE: 1/4"=1'-0" (TYP) AE580 (TYP)



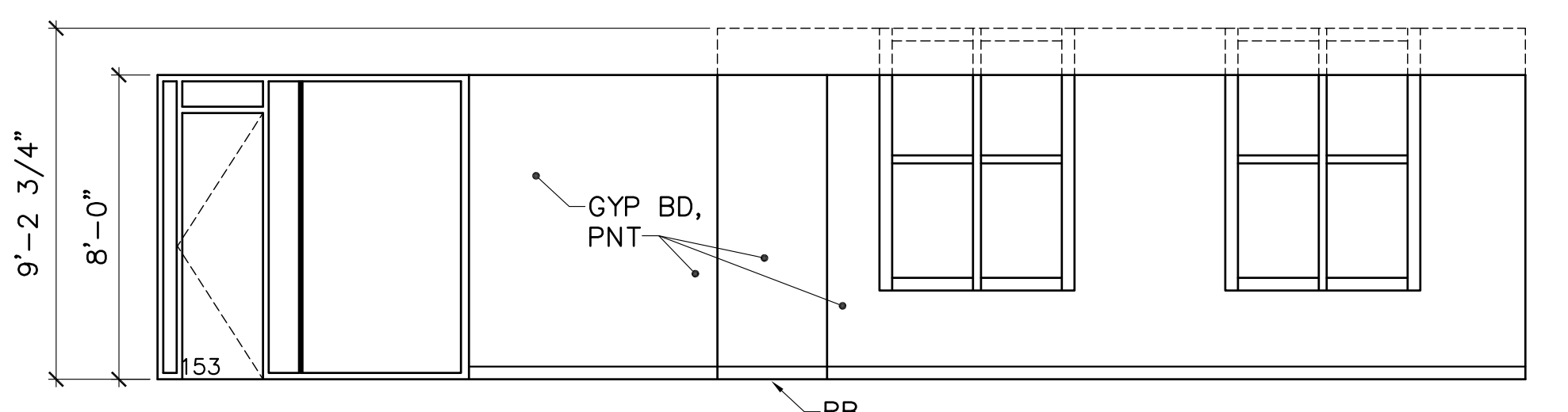
18 BED LAB 147 ELEVATION
AE101/AE740 SCALE: 1/4"=1'-0"



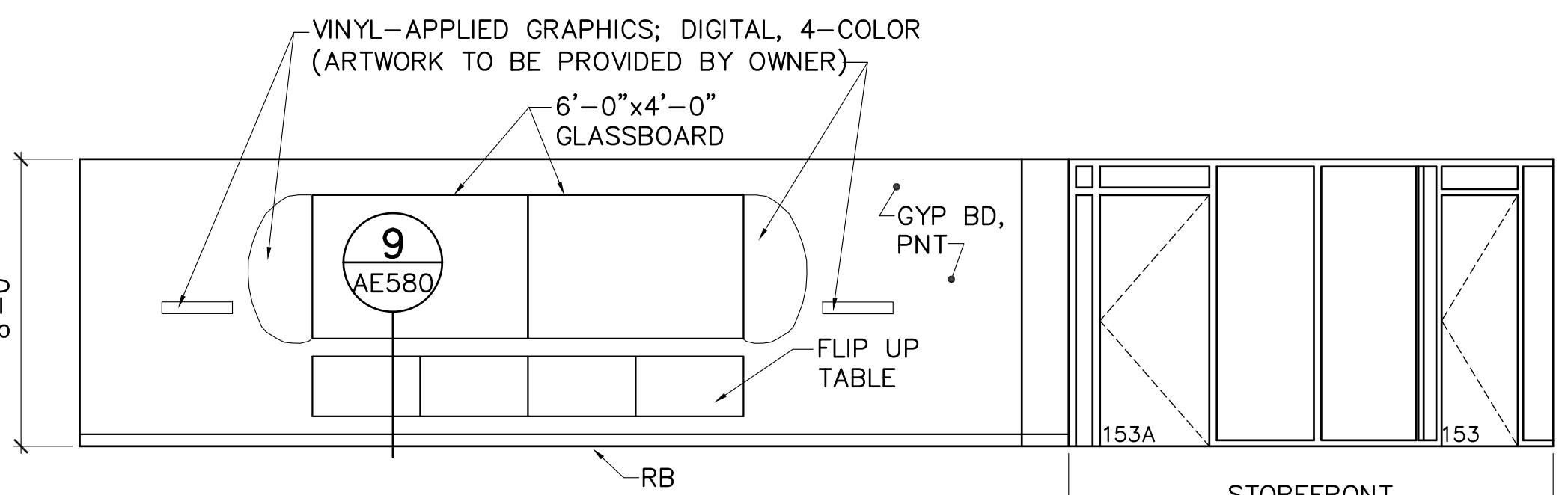
19 BED LAB 147 ELEVATION
AE101/AE740 SCALE: 1/4"=1'-0"



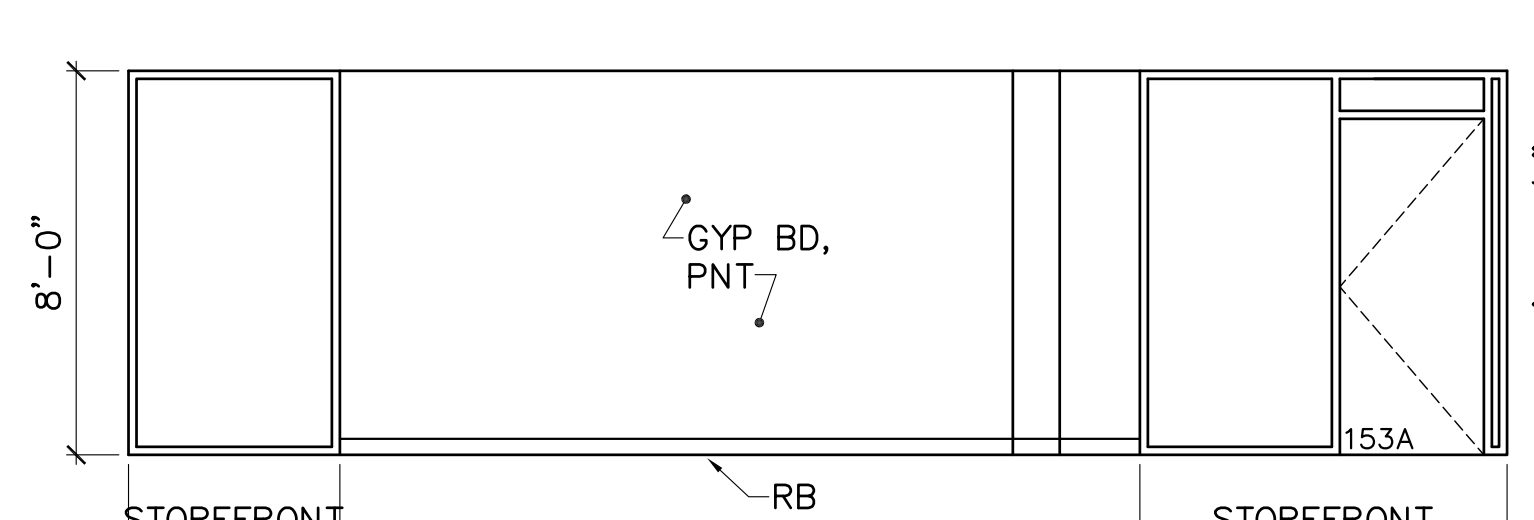
20 INNOVATION HUB 153 ELEVATION
AE101/AE740 SCALE: 1/4"=1'-0"



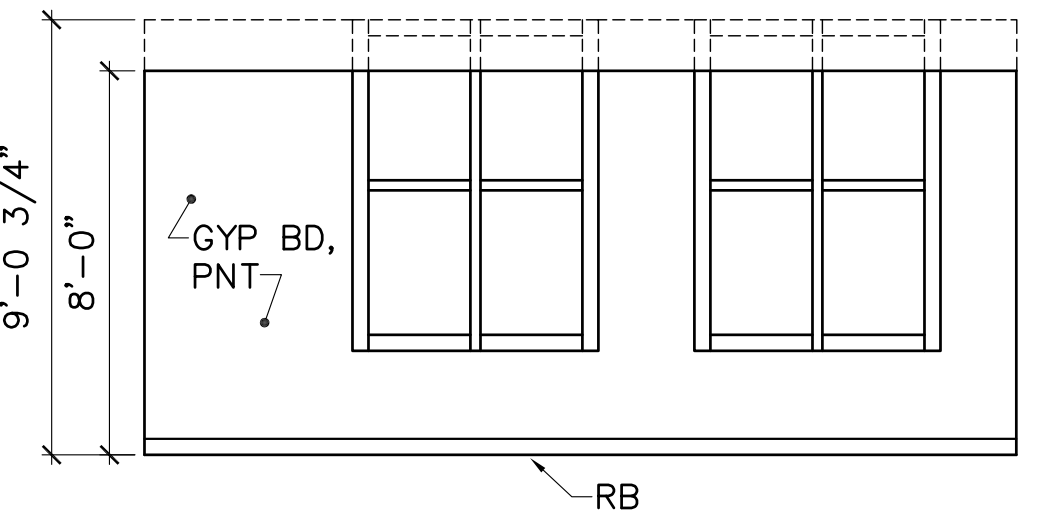
21 INNOVATION HUB 153 ELEVATION
AE101/AE740 SCALE: 1/4"=1'-0"



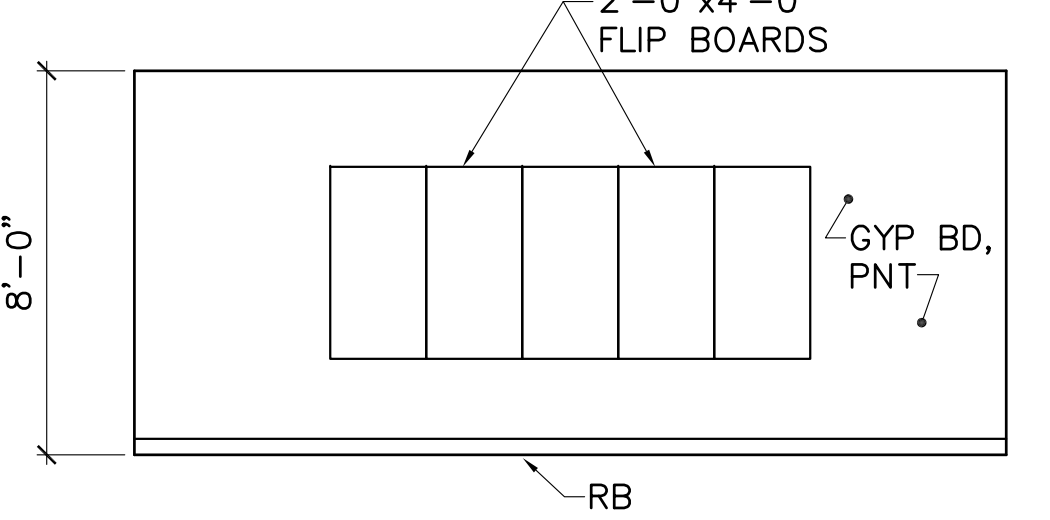
22 INNOVATION HUB 153 ELEVATION
AE101/AE740 SCALE: 1/4"=1'-0"



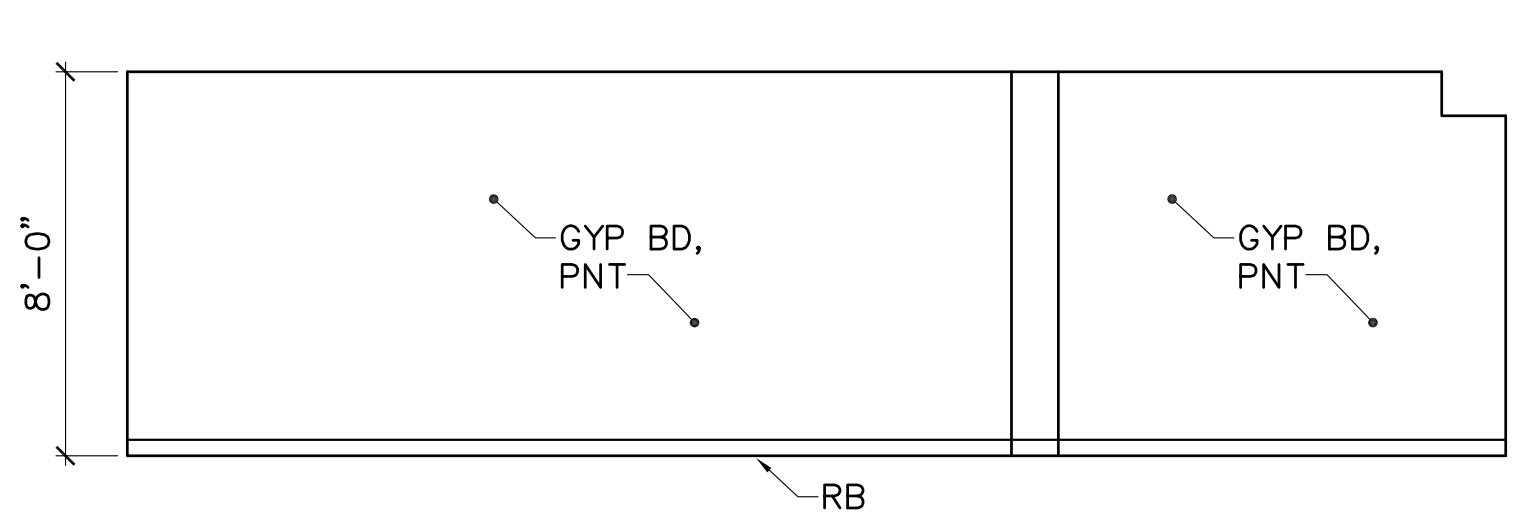
23 INNOVATION HUB 153 ELEVATION
AE101/AE740 SCALE: 1/4"=1'-0"



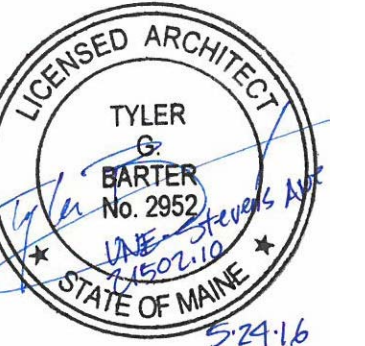
24 TELEPRESENCE CONF 154 ELEVATION
AE101/AE740 SCALE: 1/4"=1'-0"



25 TELEPRESENCE CONF 154 ELEVATION
AE101/AE740 SCALE: 1/4"=1'-0"



26 TELEPRESENCE CONF 154 ELEVATION
AE101/AE740 SCALE: 1/4"=1'-0"



DESIGNED BY: TGB
DRAWN BY: DEM TGB
CHECKED BY: TGB
PROJECT: 21502.10

UNIVERSITY OF NEW ENGLAND
PORTLAND CAMPUS
STEVEN AVENUE ARMORY
718 STEVEN AVENUE
PORTLAND, MAINE 04103
1(207)285-0171

RENOVATIONS TO THE
STEVEN AVENUE ARMORY

INTERIOR ELEVATIONS

SCALE: AS NOTED
DATE: 05-24-16

DWG. AE740

SHEET: 98 OF 169

