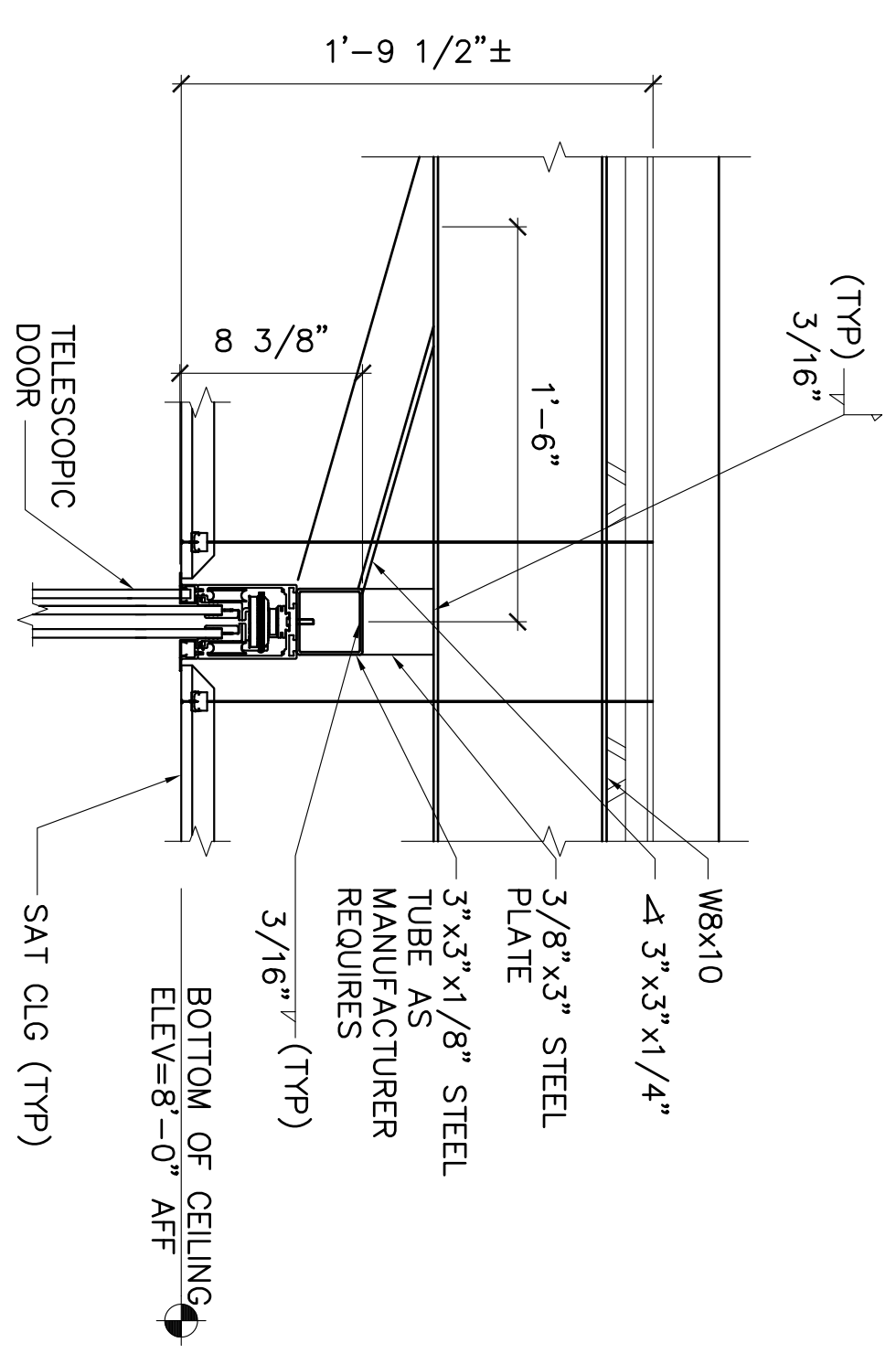
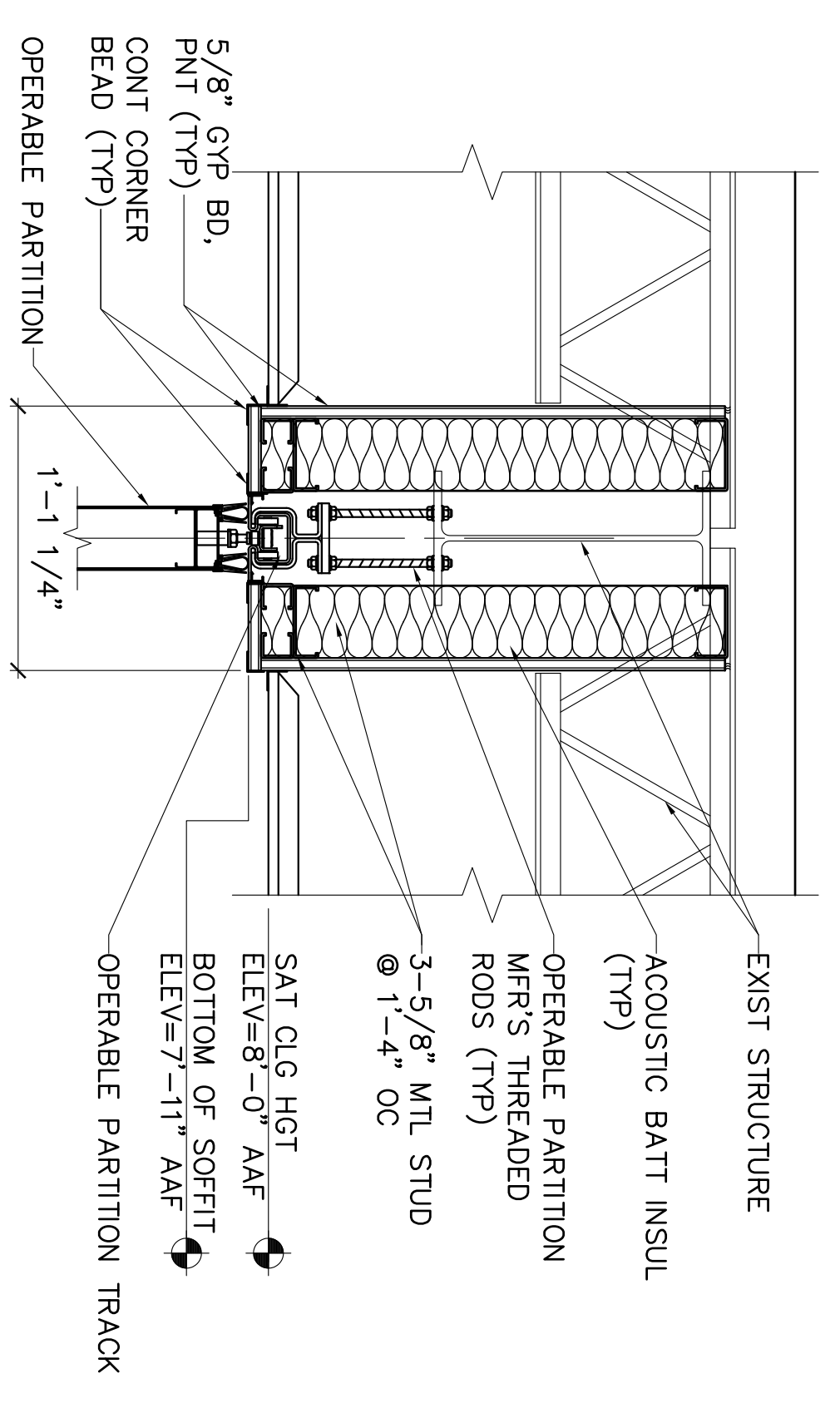


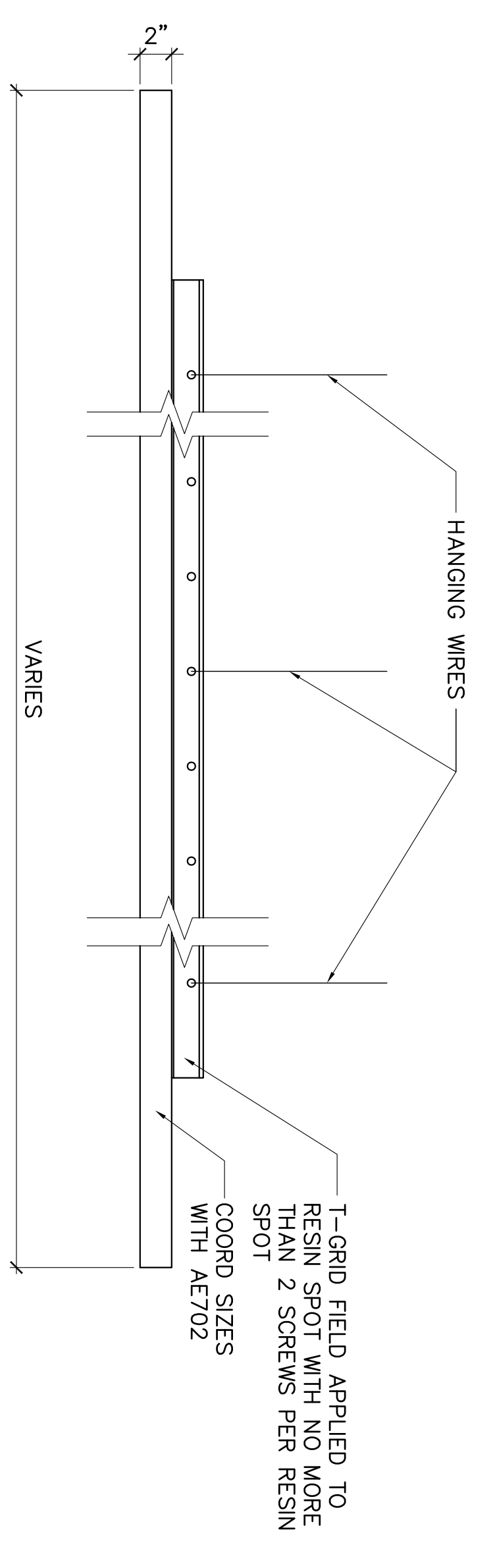
1 PARTITION WALLS FIRST FLOOR PLAN  
 AE101, AE721 SCALE: 1/4"=1'-0"



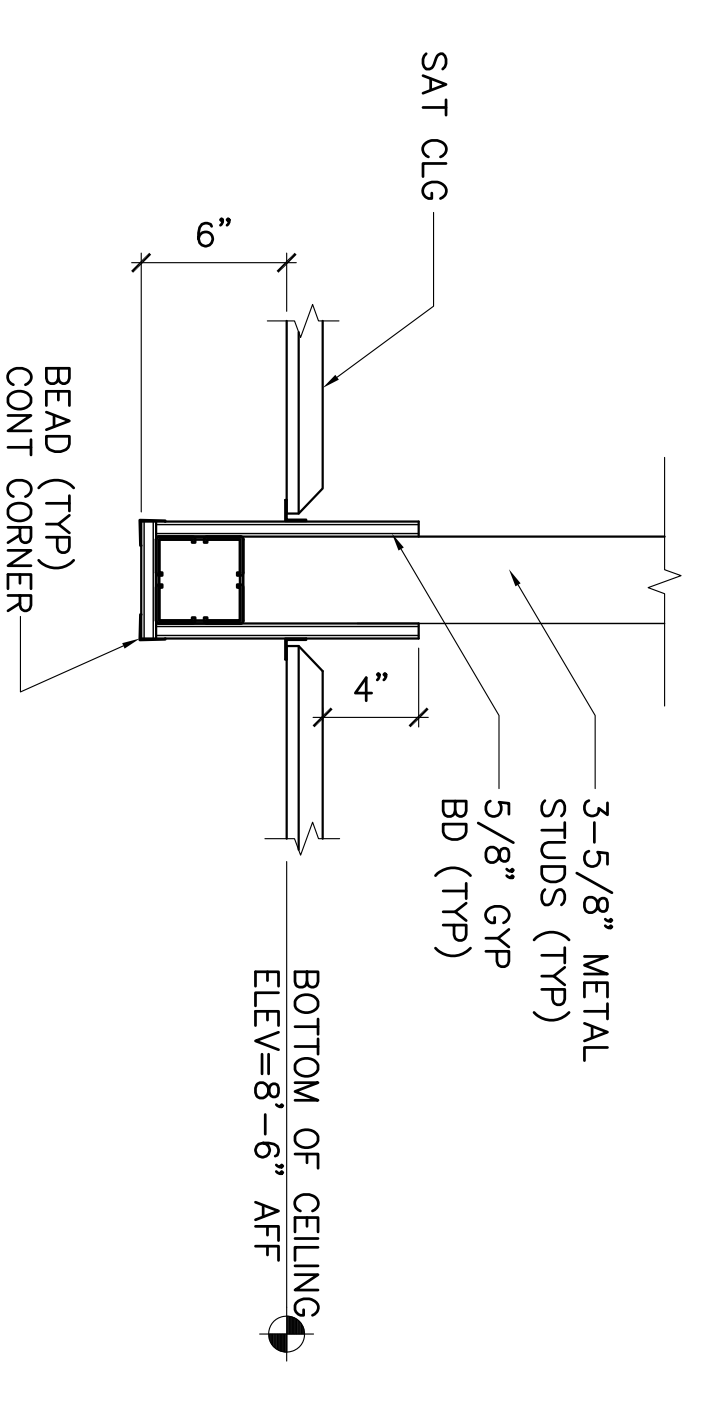
7 SOFFIT AT DOOR  
 AE701, AE721 SCALE: 1-1/2"=1'-0"



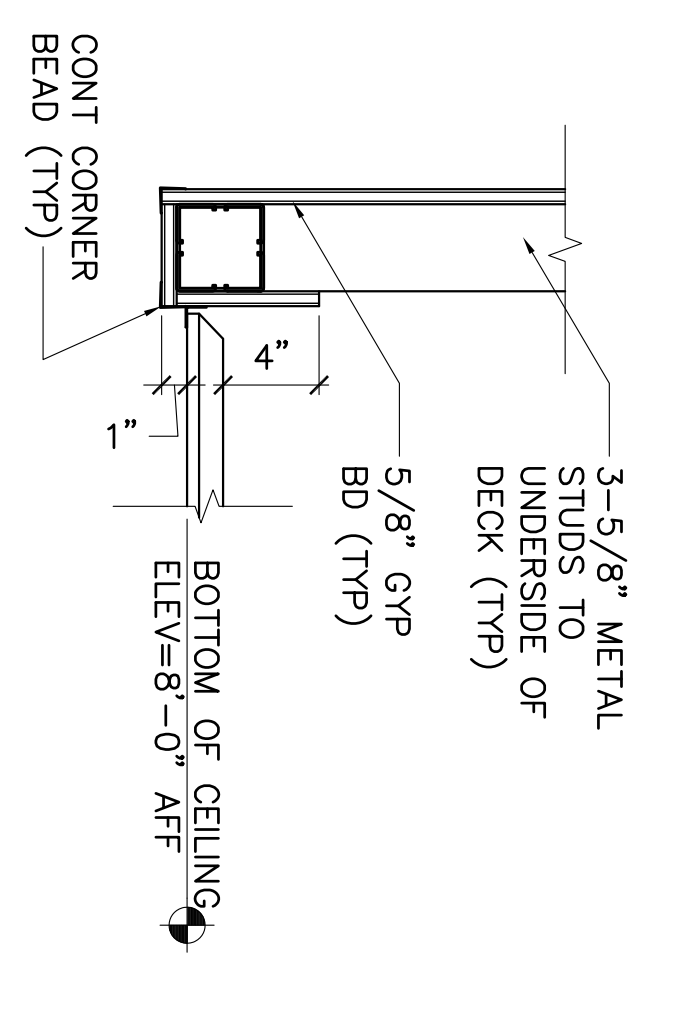
2 OPERABLE PARTITION SOFFIT DETAIL  
 AE721, AE702, AE721 SCALE: 1-1/2"=1'-0"



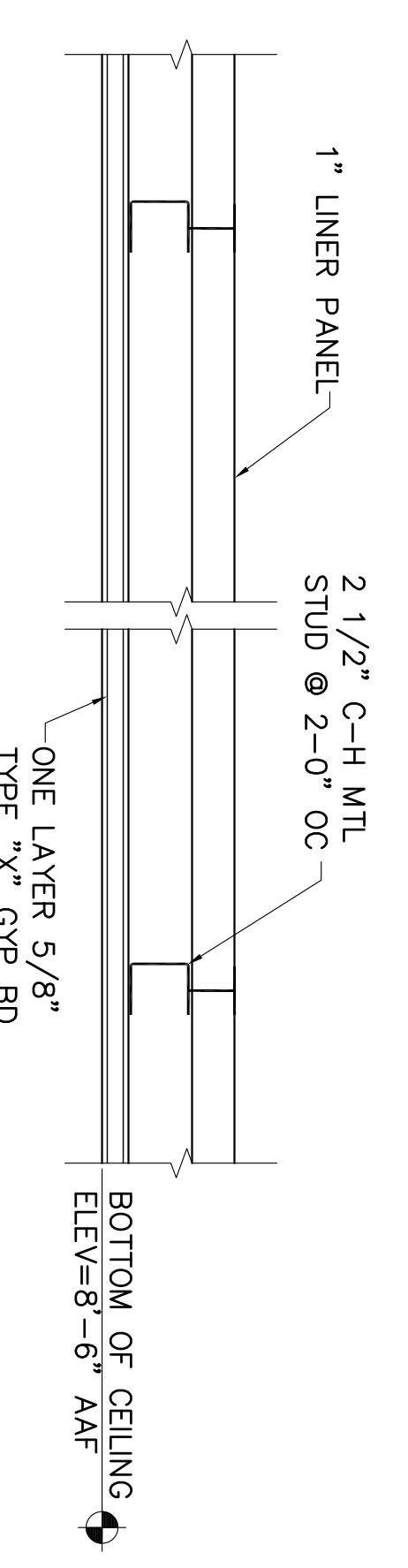
5 TYP ACOUSTIC PANEL DETAIL  
 AE702, AE721 SCALE: 1-1/2"=1'-0"



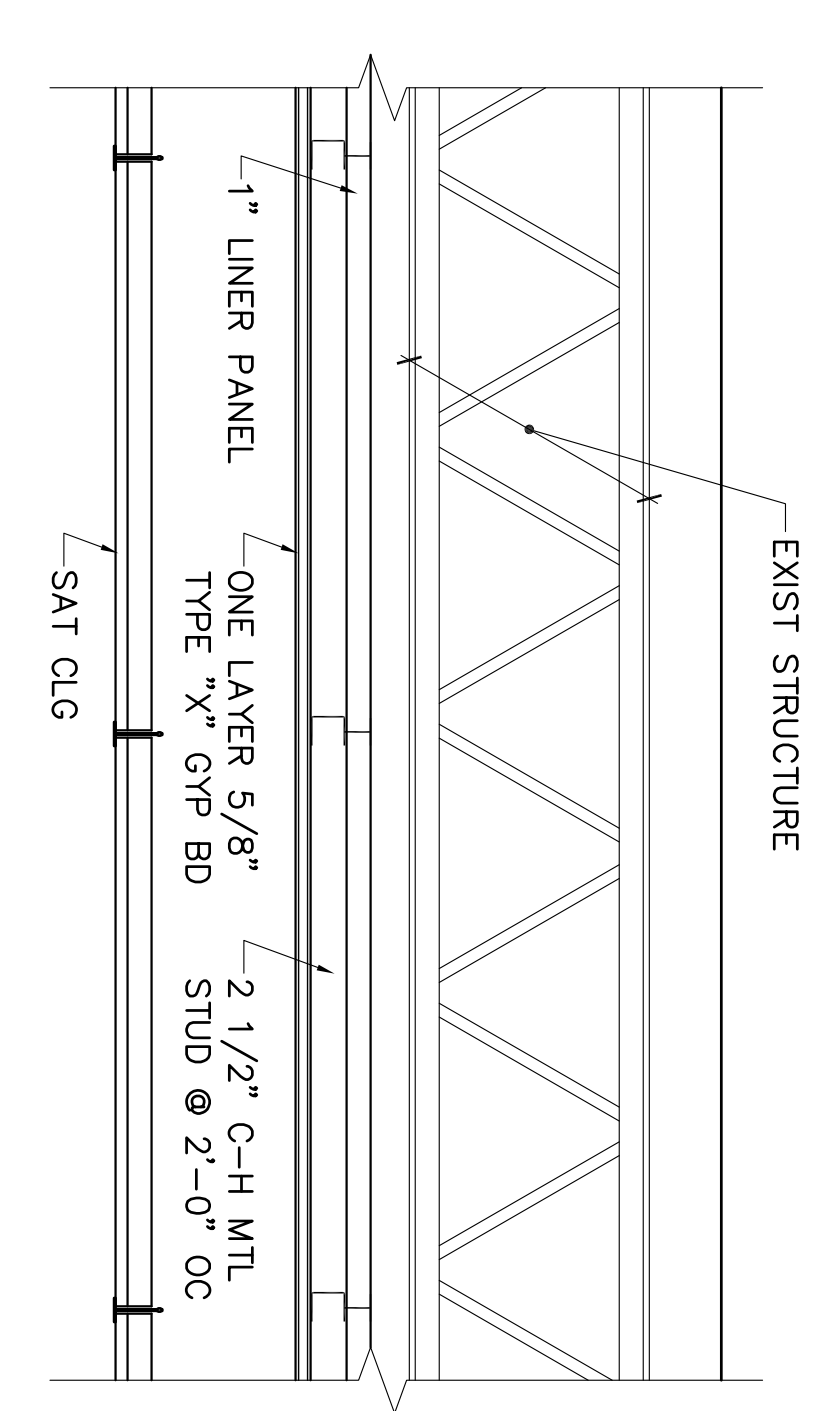
8 SOFFIT @ ROOM 225  
 AE702, AE742, AE721 SCALE: 1-1/2"=1'-0"



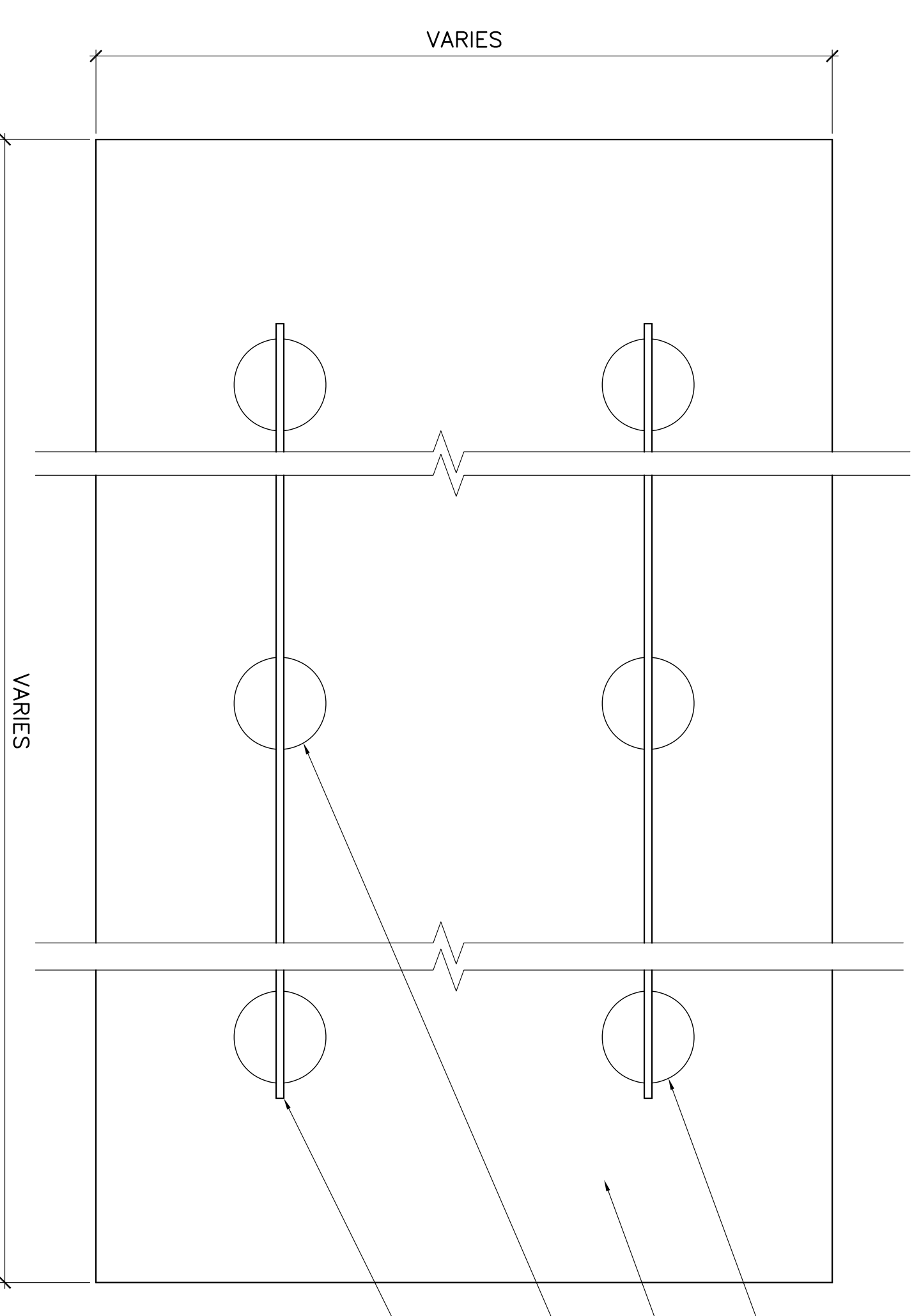
9 SOFFIT @ PRE-FUNCTION ROOM  
 AE702, AE742, AE721 SCALE: 1-1/2"=1'-0"



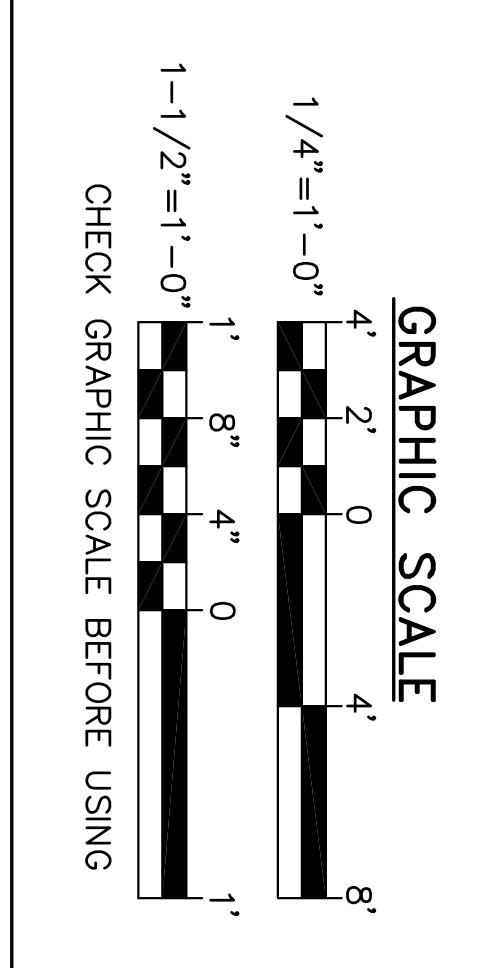
3 1 HOUR FIRE RATED CEILING DETAIL  
 AE701, AE702, AE721 SCALE: 3/4"=1'-0"



4 1 HOUR FIRE RATED CEILING DETAIL  
 AE701, AE702, AE721 SCALE: 1-1/2"=1'-0"



6 ACOUSTIC PANEL PLAN  
 AE702, AE721 SCALE: 1-1/2"=1'-0"



SOFFIT DETAILS

RENOVATIONS TO THE STEVENS AVENUE ARMORY

UNIVERSITY OF NEW ENGLAND  
 PORTLAND CAMPUS  
 STEVEN AVENUE ARMORY  
 716 STEVENS AVE  
 PORTLAND, MAINE 04103  
 T (207)283-0171

DESIGNED BY: TGB  
 DRAWN BY: JGB  
 CHECKED BY: JGB  
 PROJECT: 21502.10



OAK POINT ASSOCIATES  
 ARCHITECTURE • ENGINEERING • PLANNING  
 231 Main Street, Biddeford, Maine 04005 (T) 207.283.0193 (F) 207.283.4283  
 www.oakpoint.com