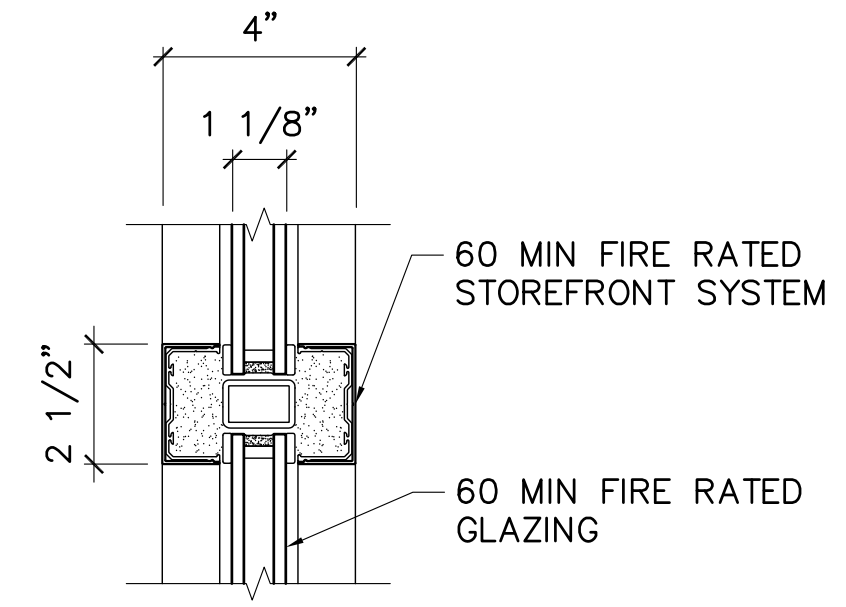
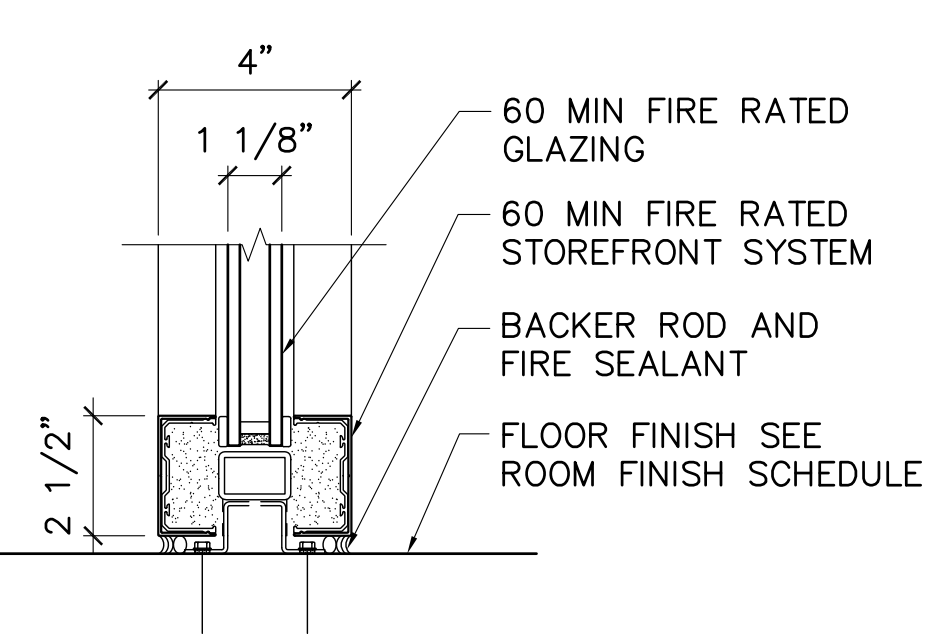


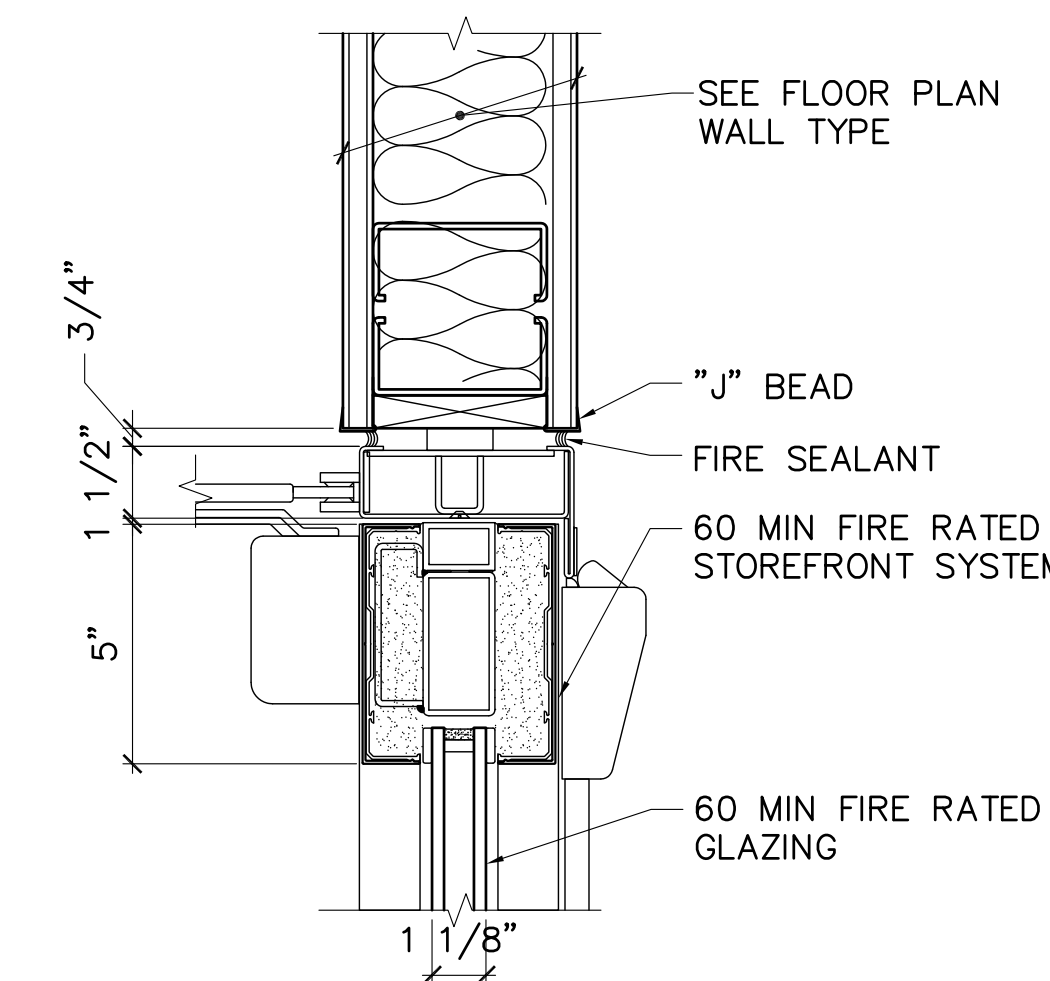
A VERTICAL MULLION DETAIL



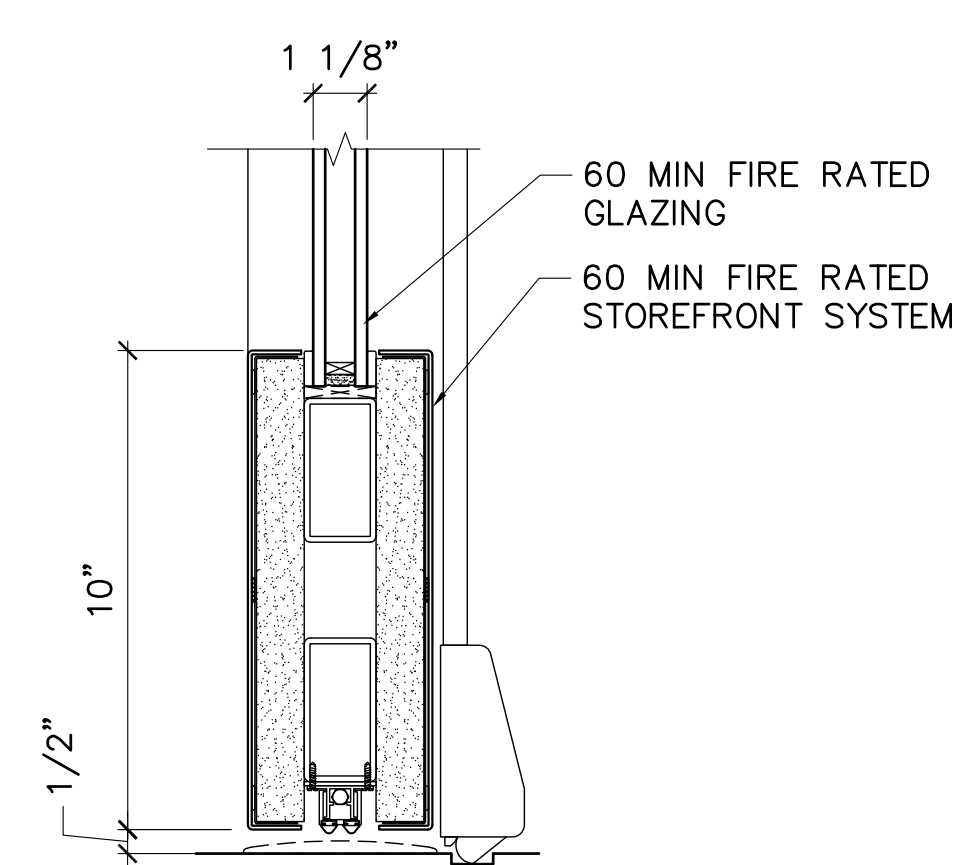
B HORIZONTAL MULLION DETAIL



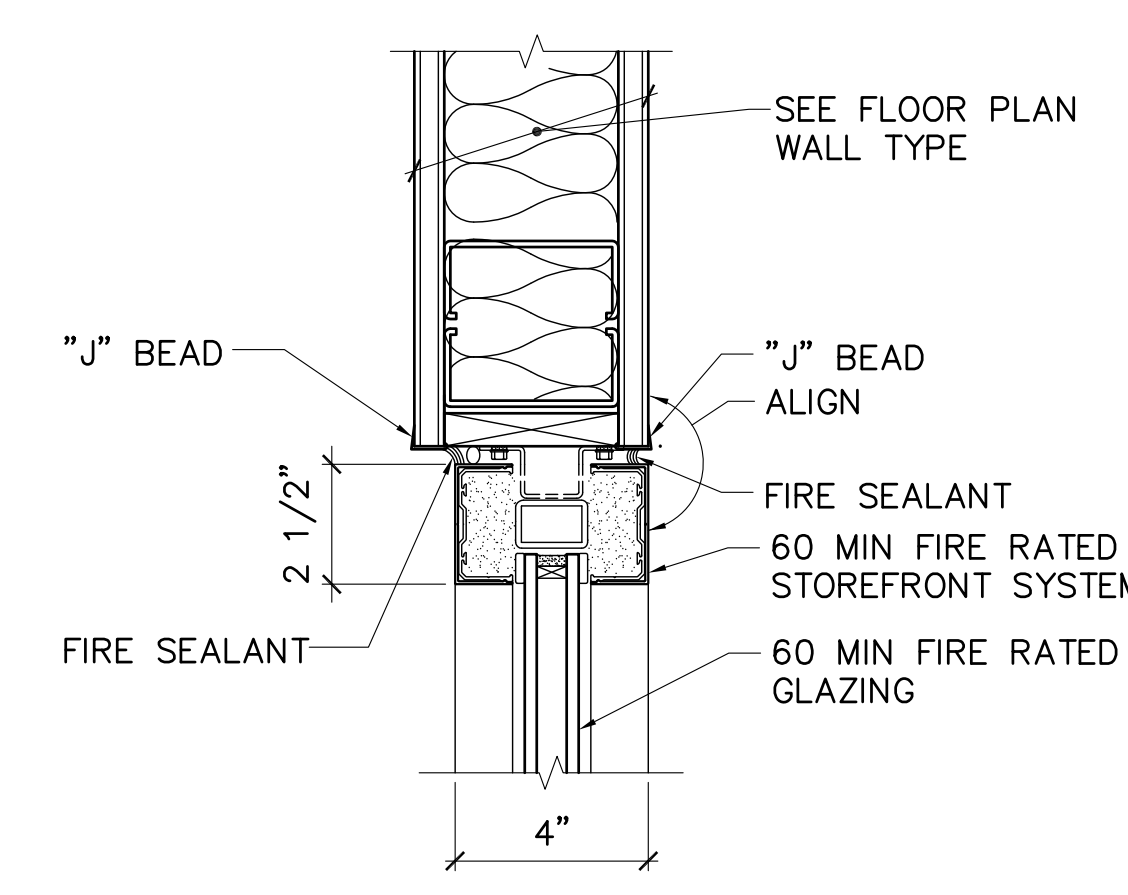
C SILL DETAIL



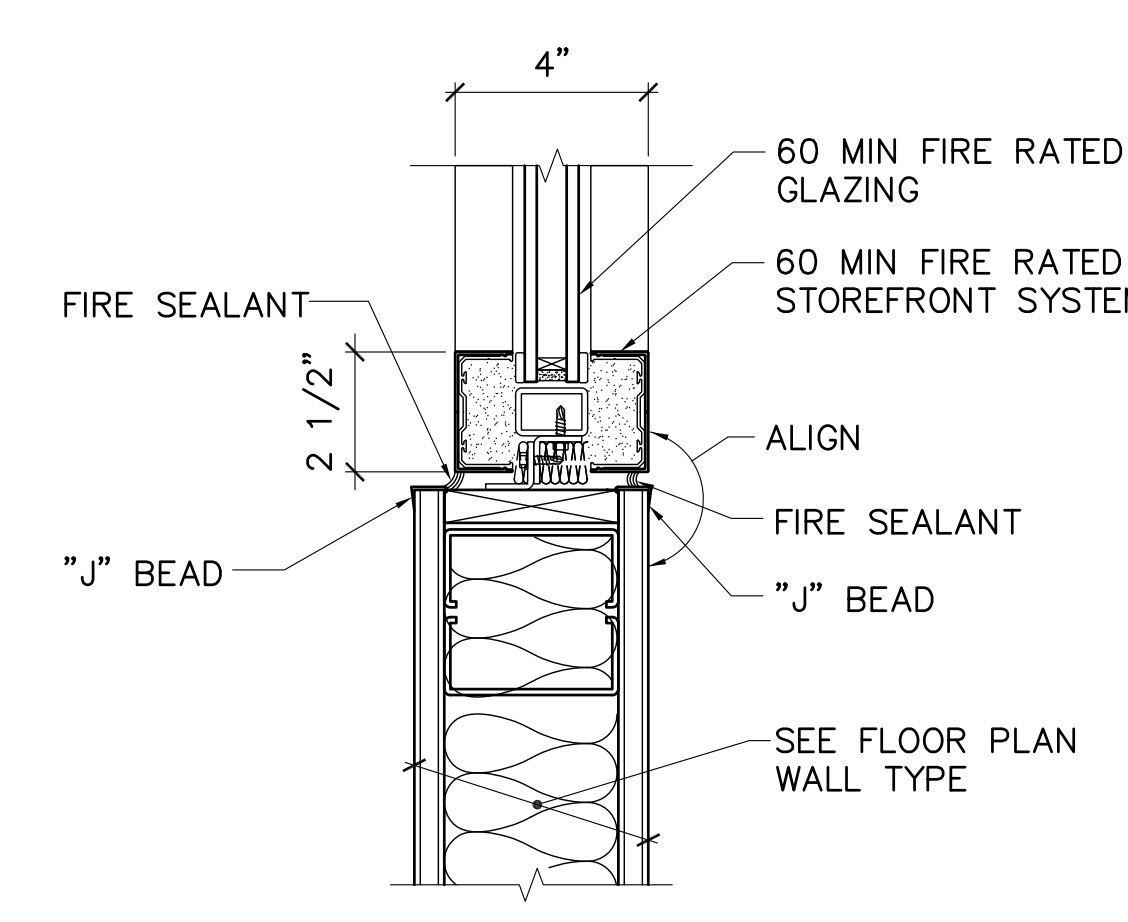
D DOOR HEAD DETAIL



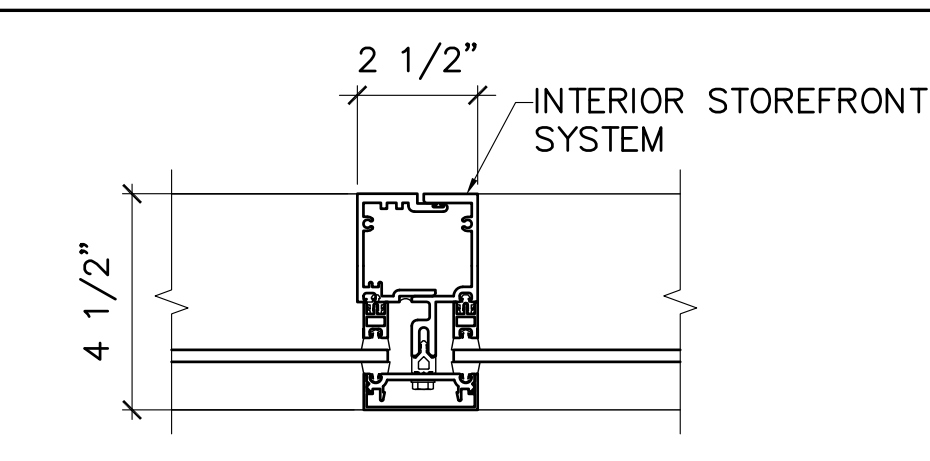
E DOOR SILL DETAIL



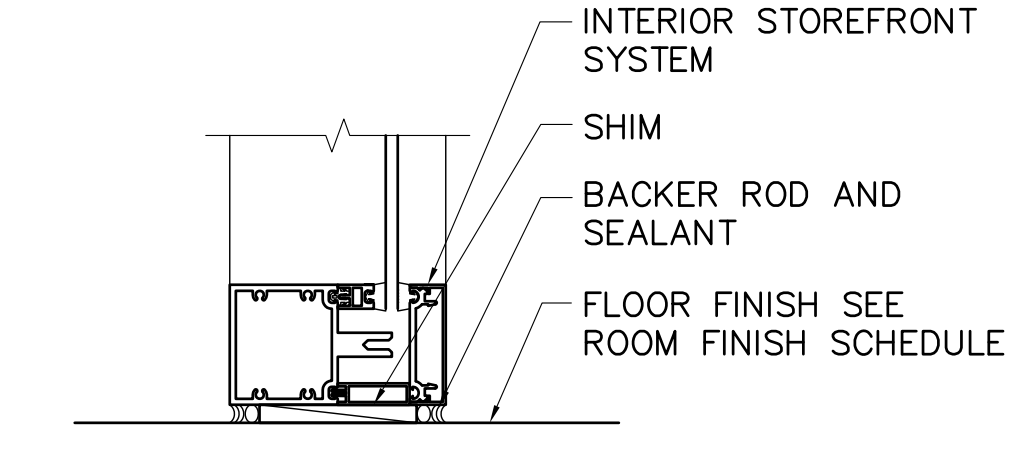
F HEAD DETAIL



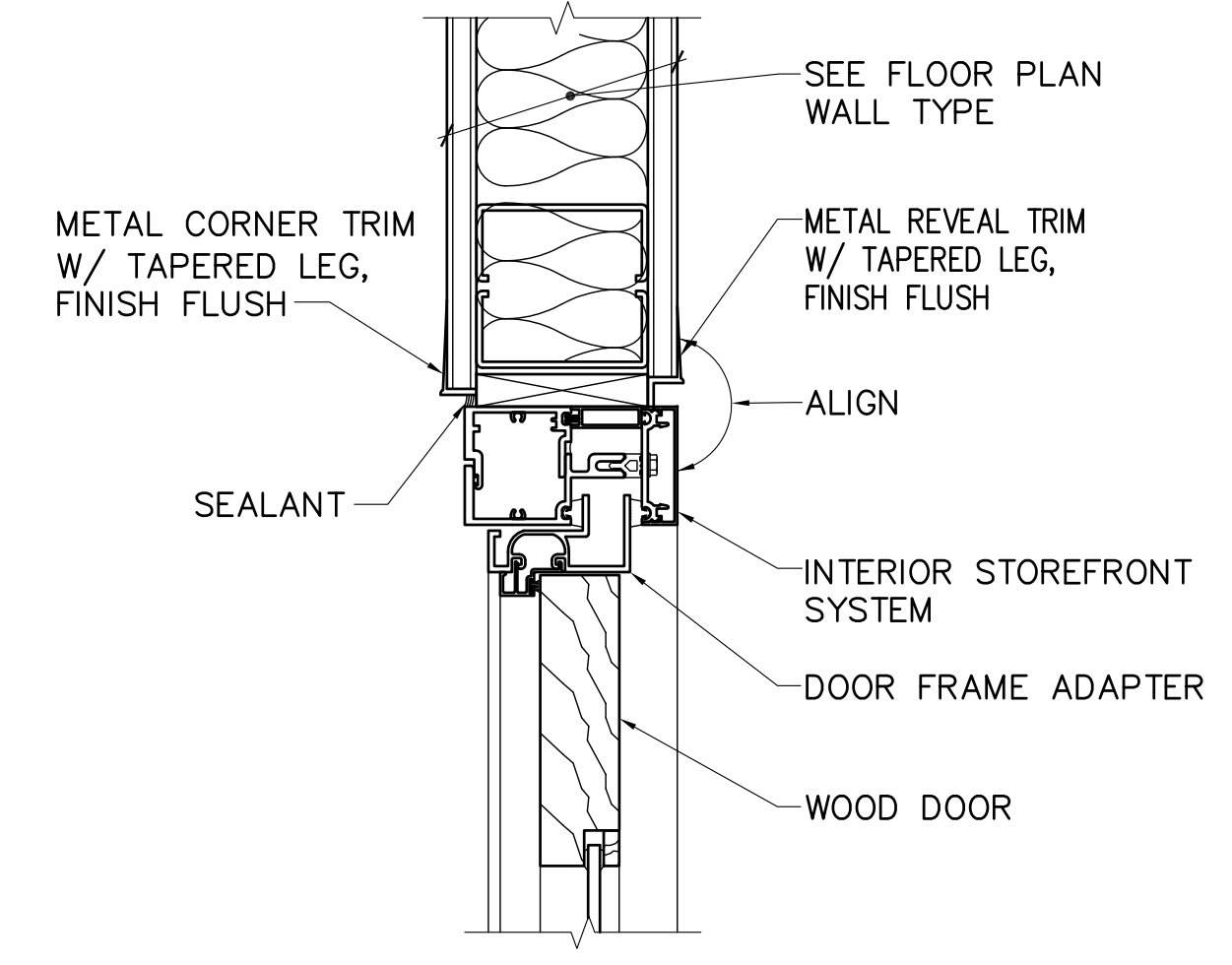
G JAMB/SILL DETAIL



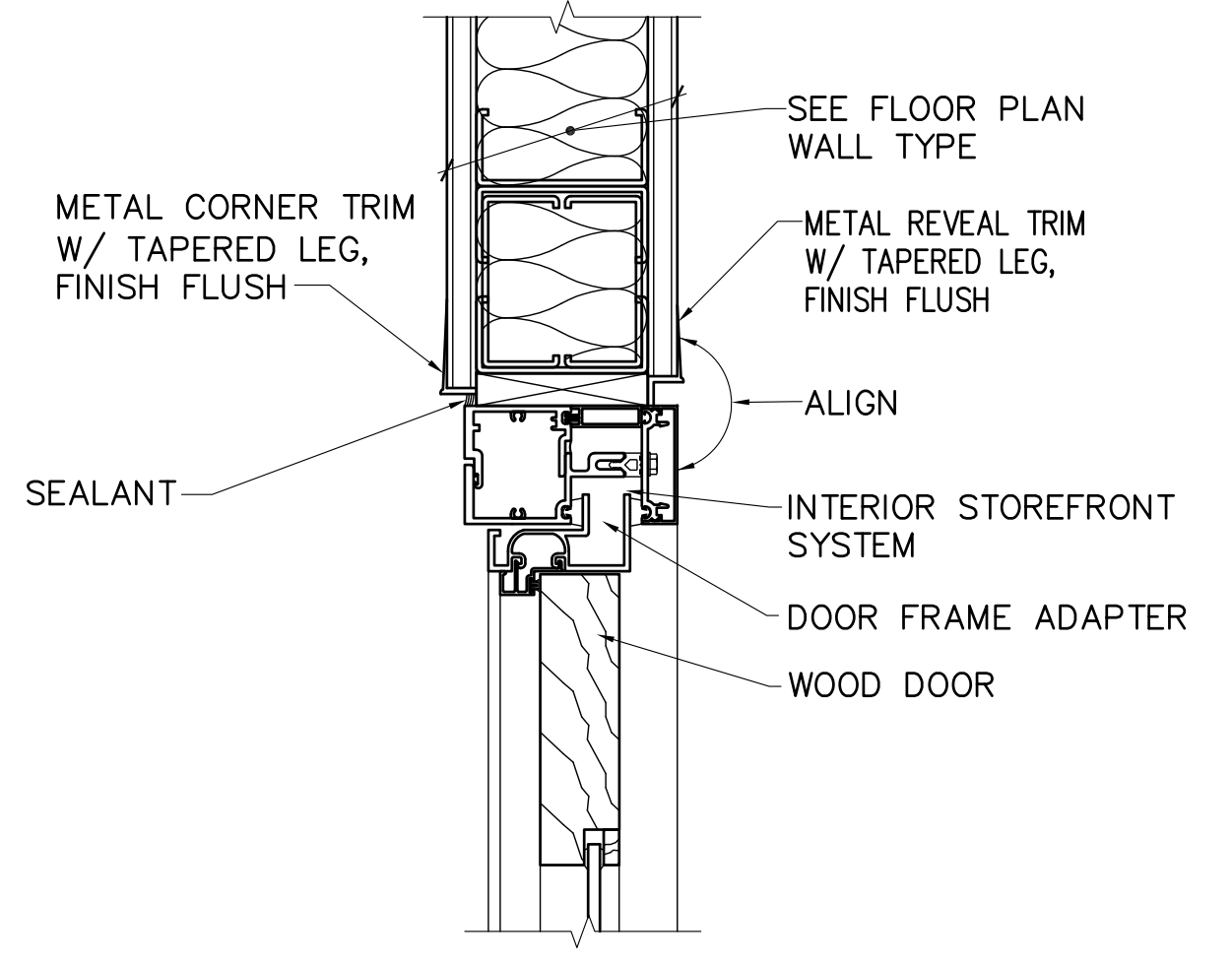
A MULLION DETAIL



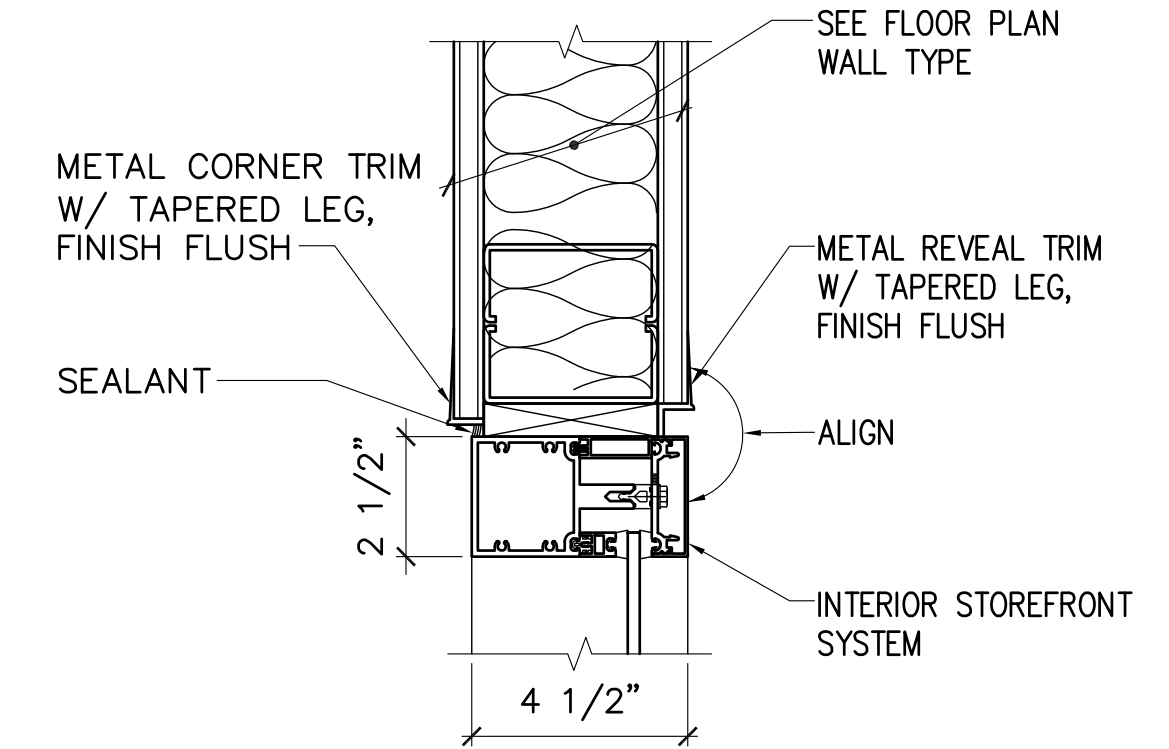
B SILL DETAIL



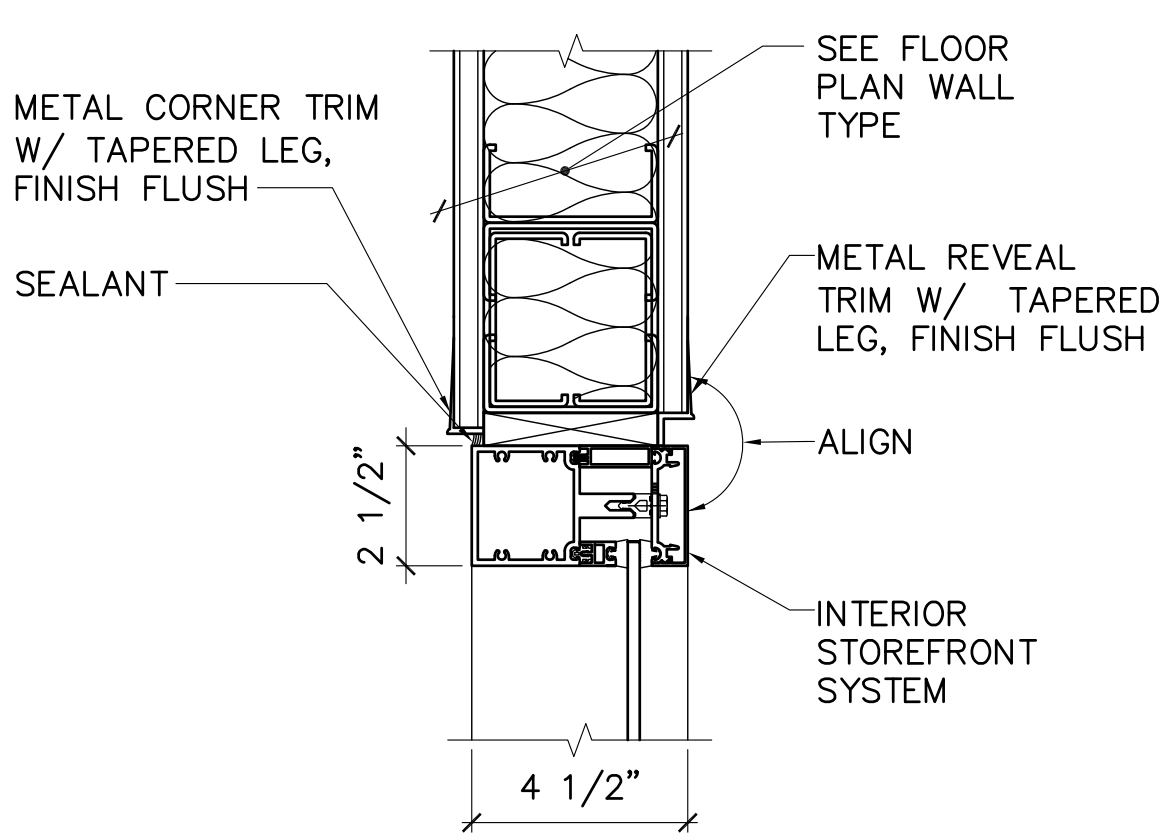
C DOOR JAMB DETAIL



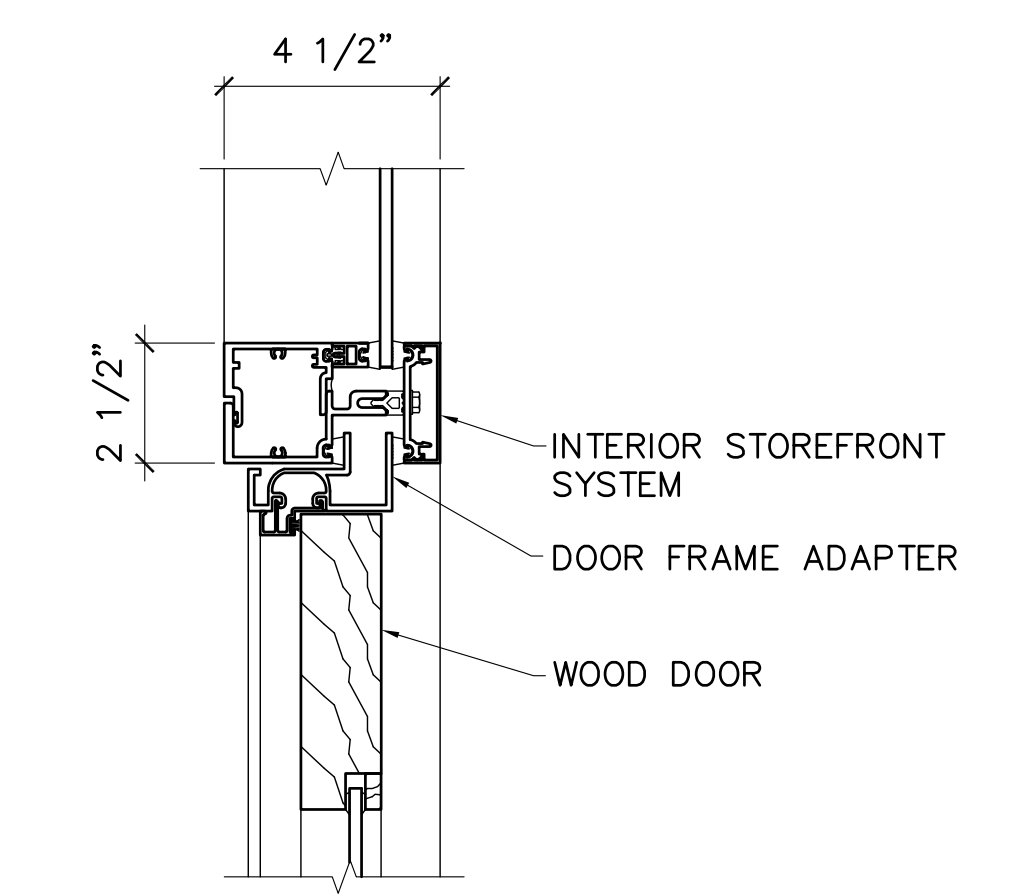
D DOOR HEAD DETAIL



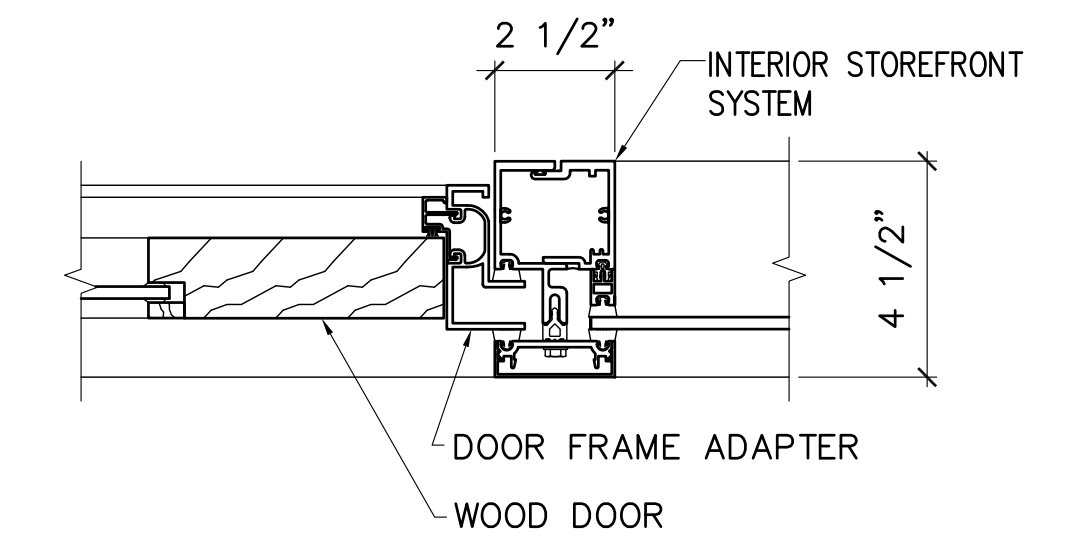
E JAMB/SILL DETAIL



F HEAD DETAIL



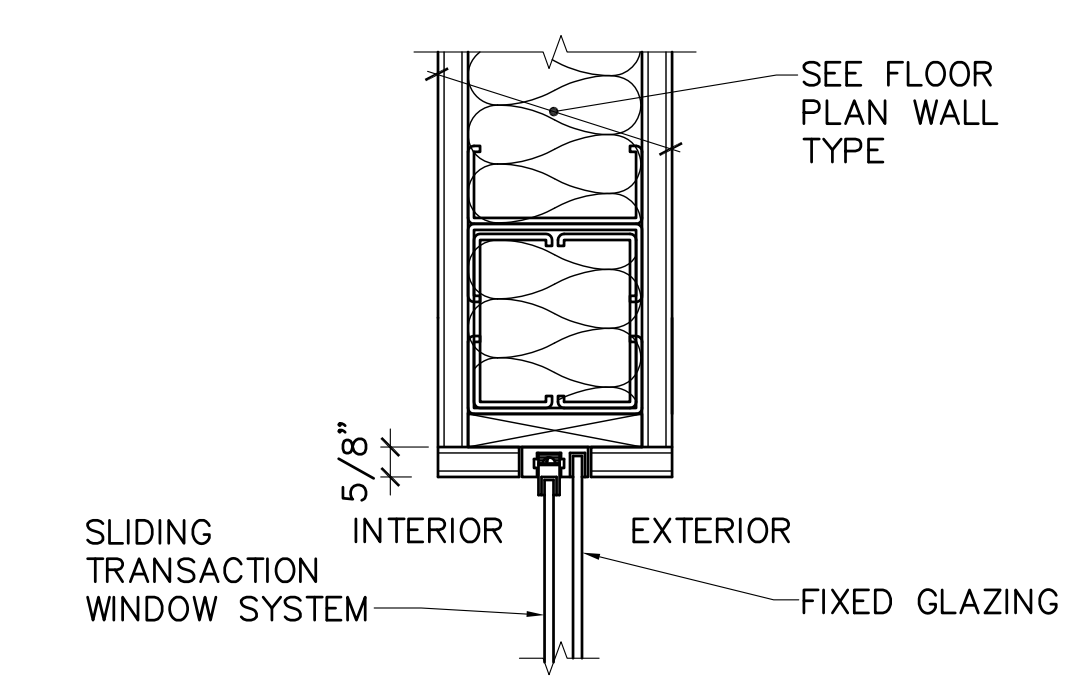
G DOOR HEAD AT TRANSOM



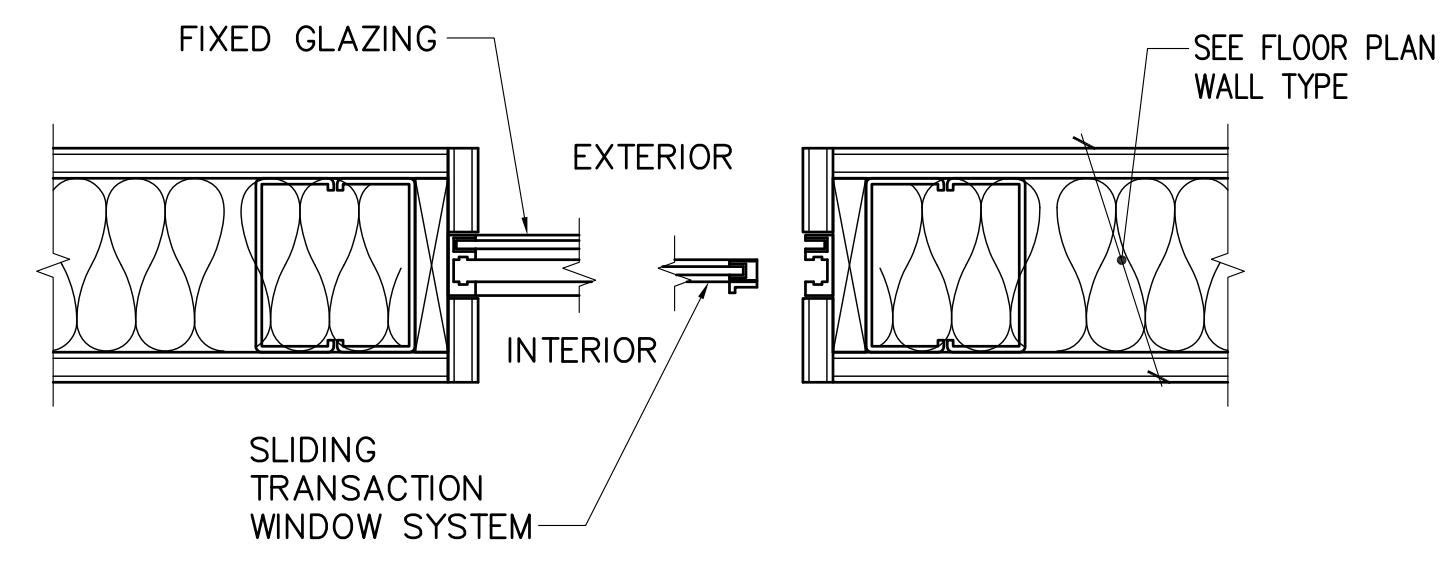
H JAMB AT SIDELIGHT

3 TYPICAL BORROWED LIGHT/STOREFRONT FRAME DETAILS
 AE622 SCALE: 3"=1'-0"

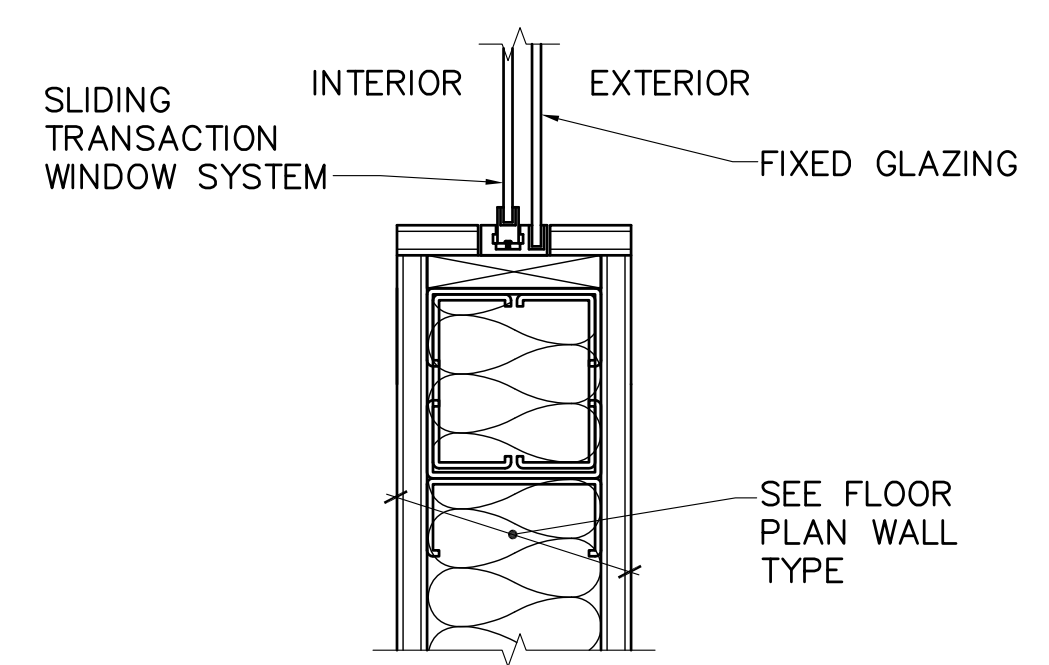
AE601



A TRANSACTION HEAD DETAIL



B TRANSACTION JAMB DETAIL



C TRANSACTION SILL DETAIL

1 SLIDING TRANSACTION WINDOW DETAILS
 AE622 SCALE: 3"=1'-0"

AE620

2 FIRE RATED BORROWED LIGHT/STOREFRONT FRAME DETAILS
 AE622 SCALE: 3"=1'-0"

AE620

