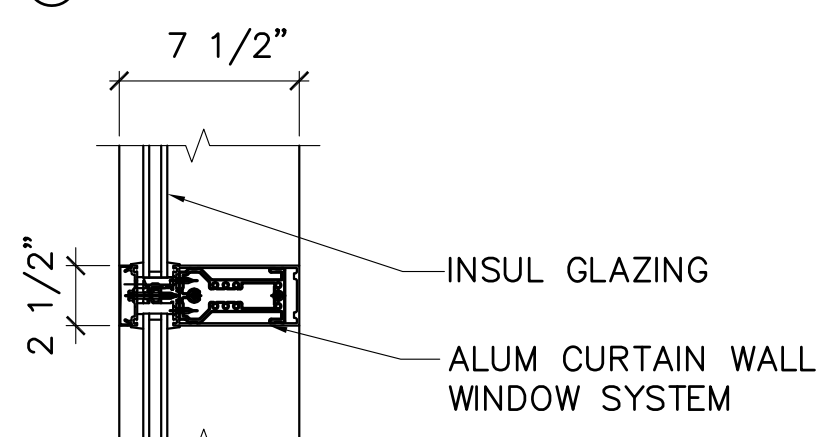
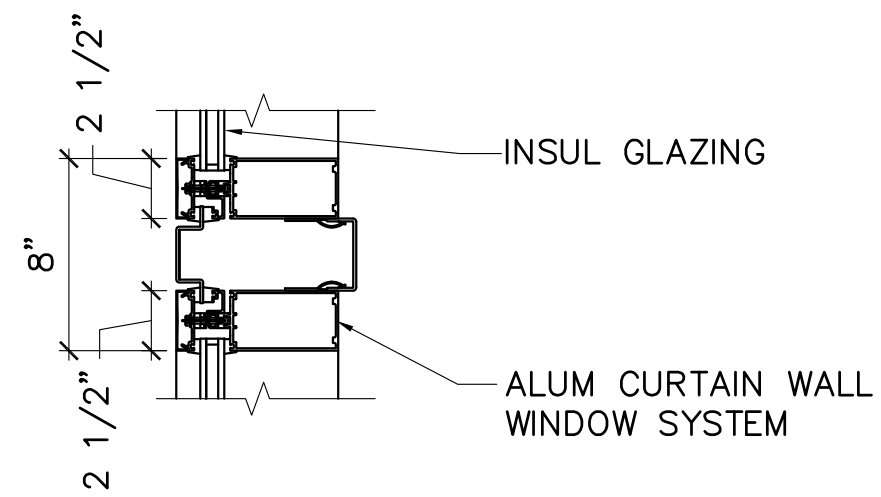


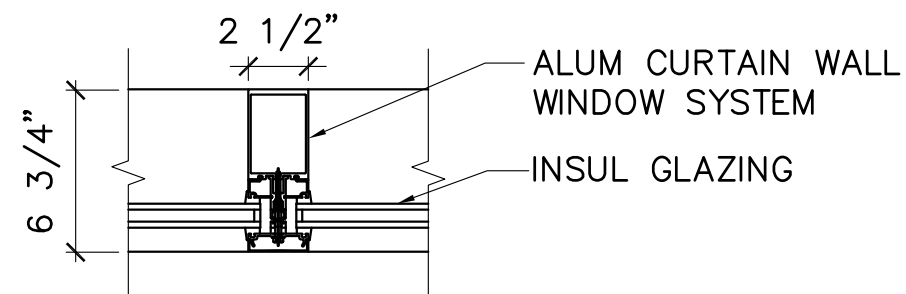
A HEAD DETAIL



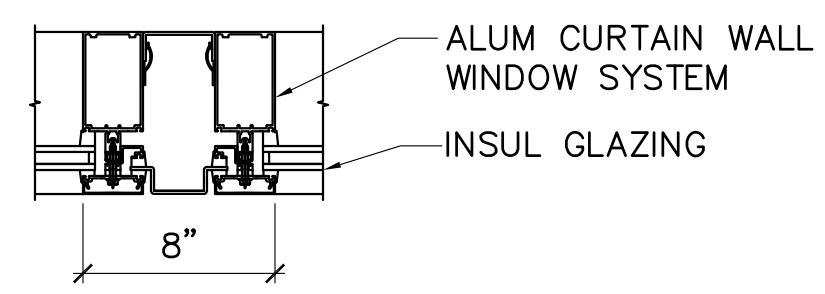
B HORIZONTAL MULLION DETAIL



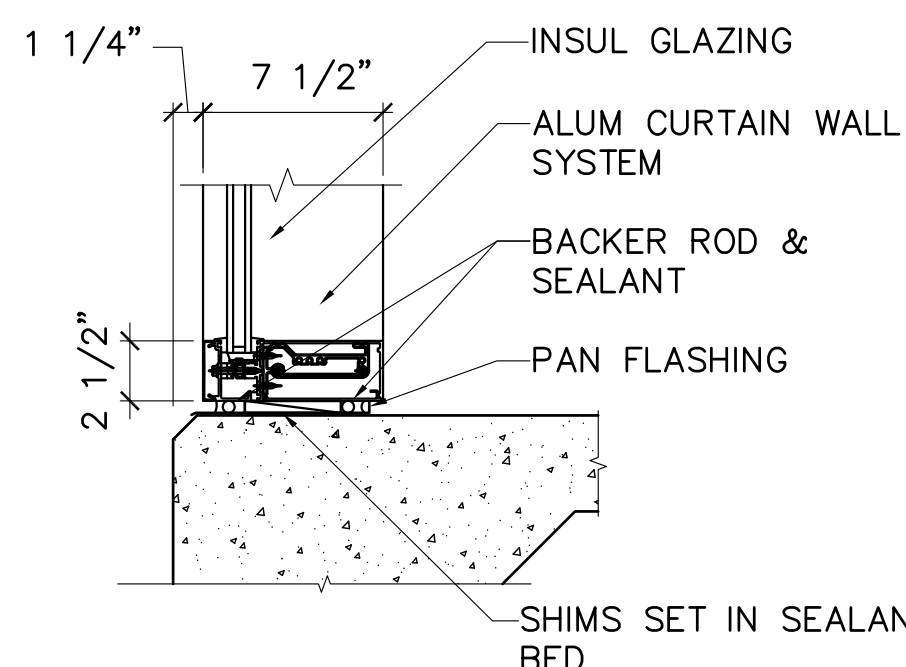
C HORIZONTAL MULLION DETAIL



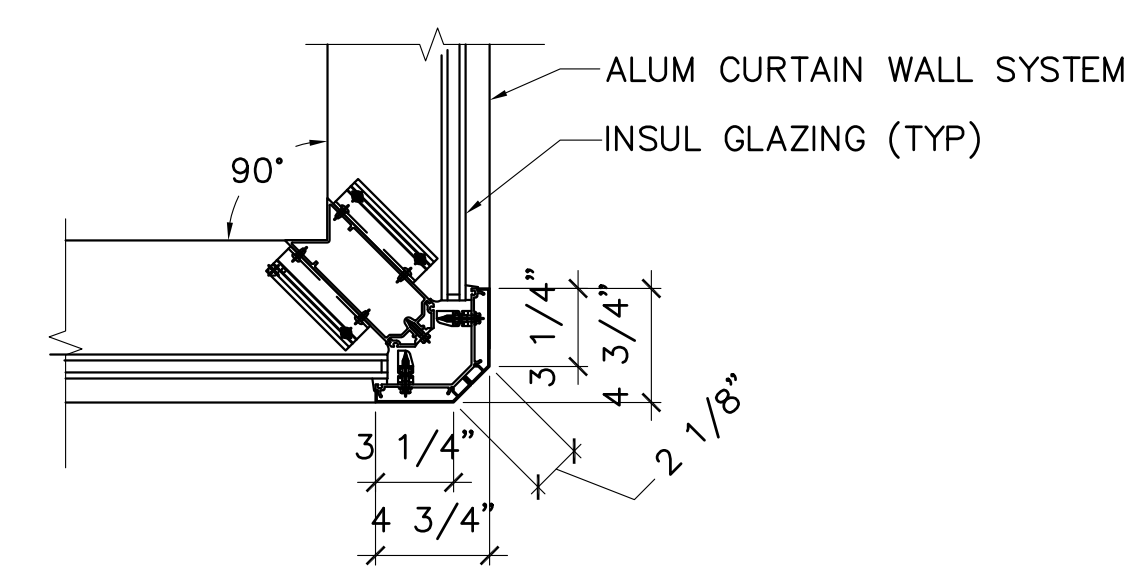
D VERTICAL MULLION DETAIL



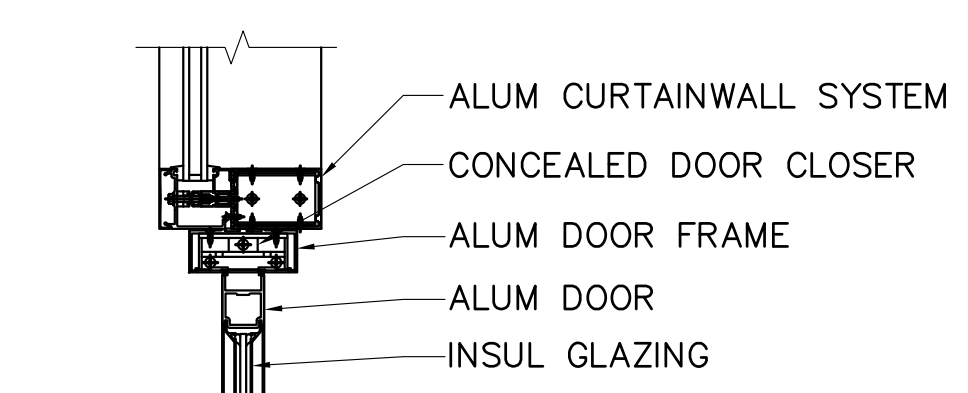
E VERTICAL MULLION DETAIL



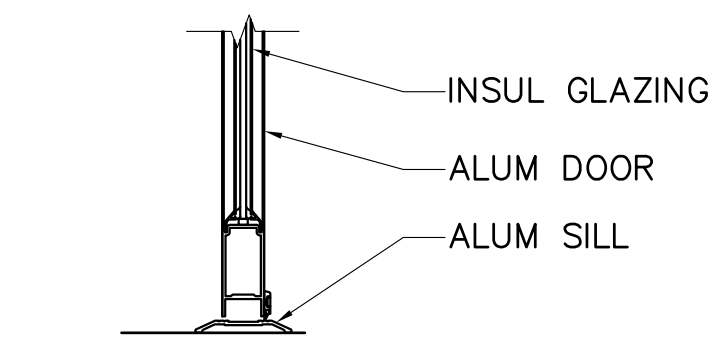
F CURTAINWALL SILL DETAIL



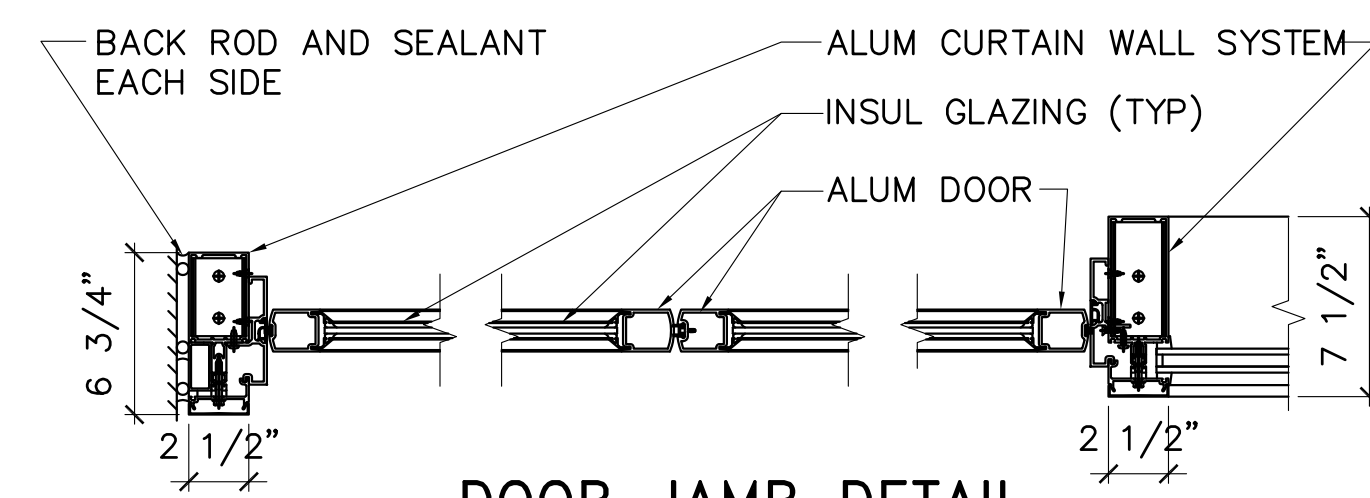
G 90° OUTSIDE CORNER DETAIL



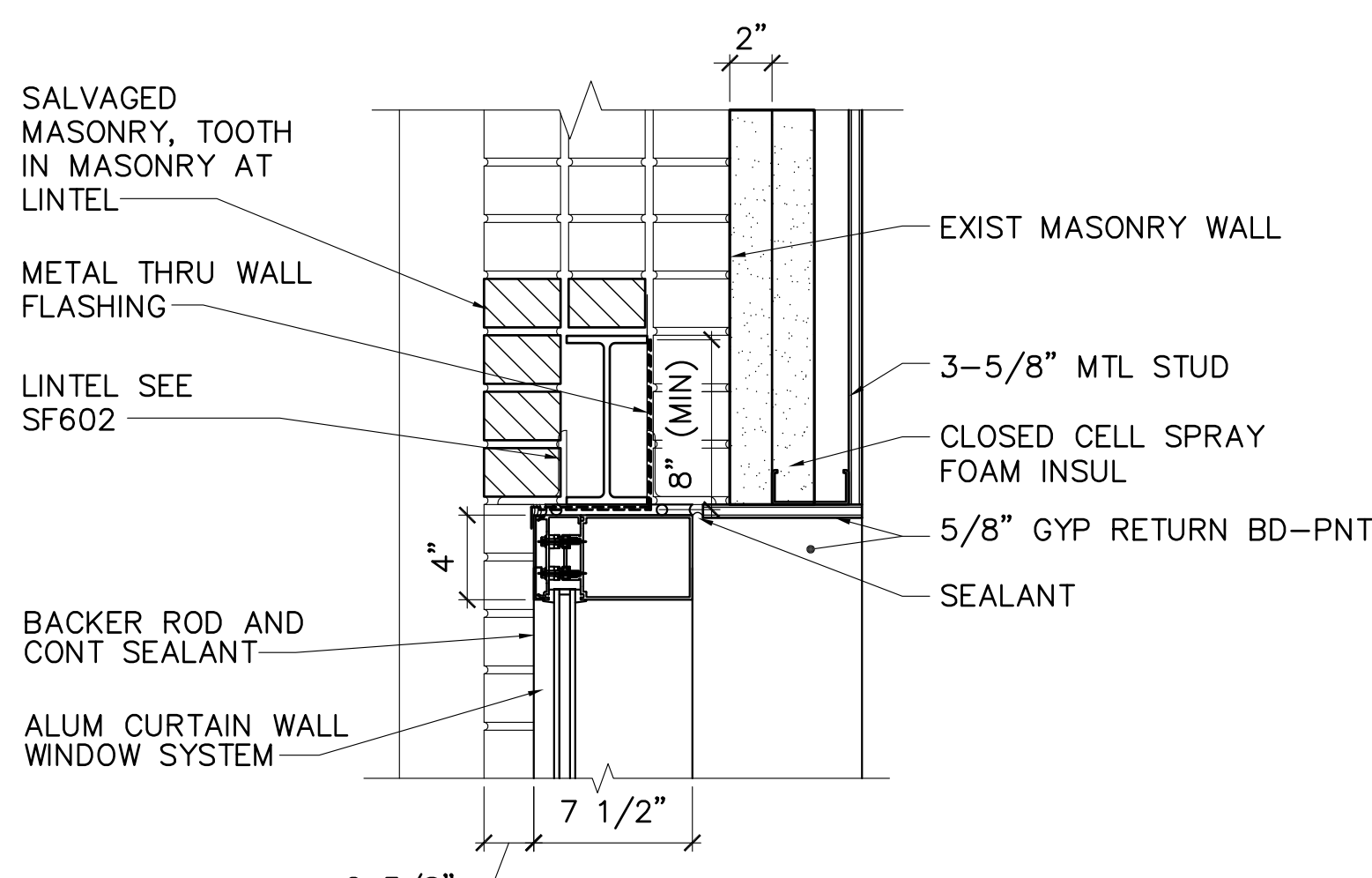
H DOOR HEAD DETAIL



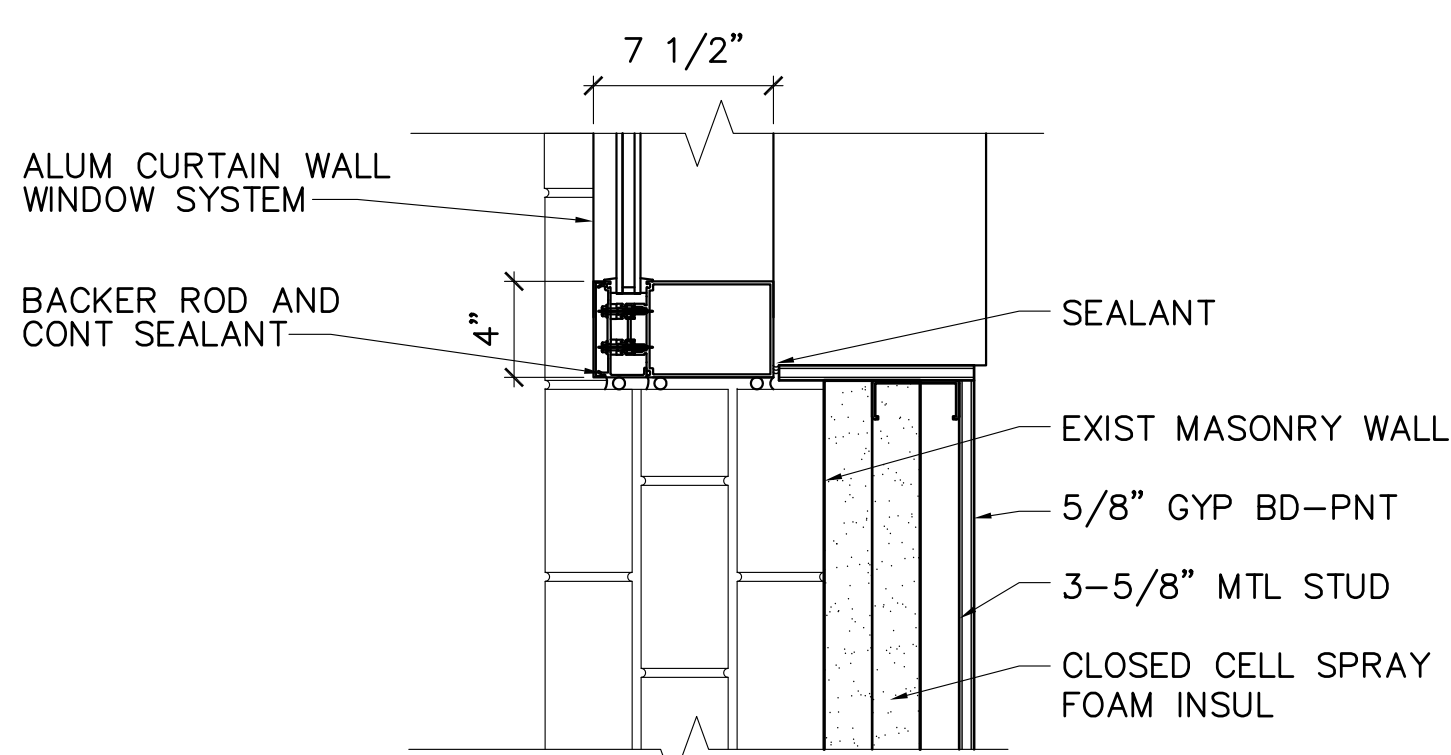
I DOOR SILL DETAIL



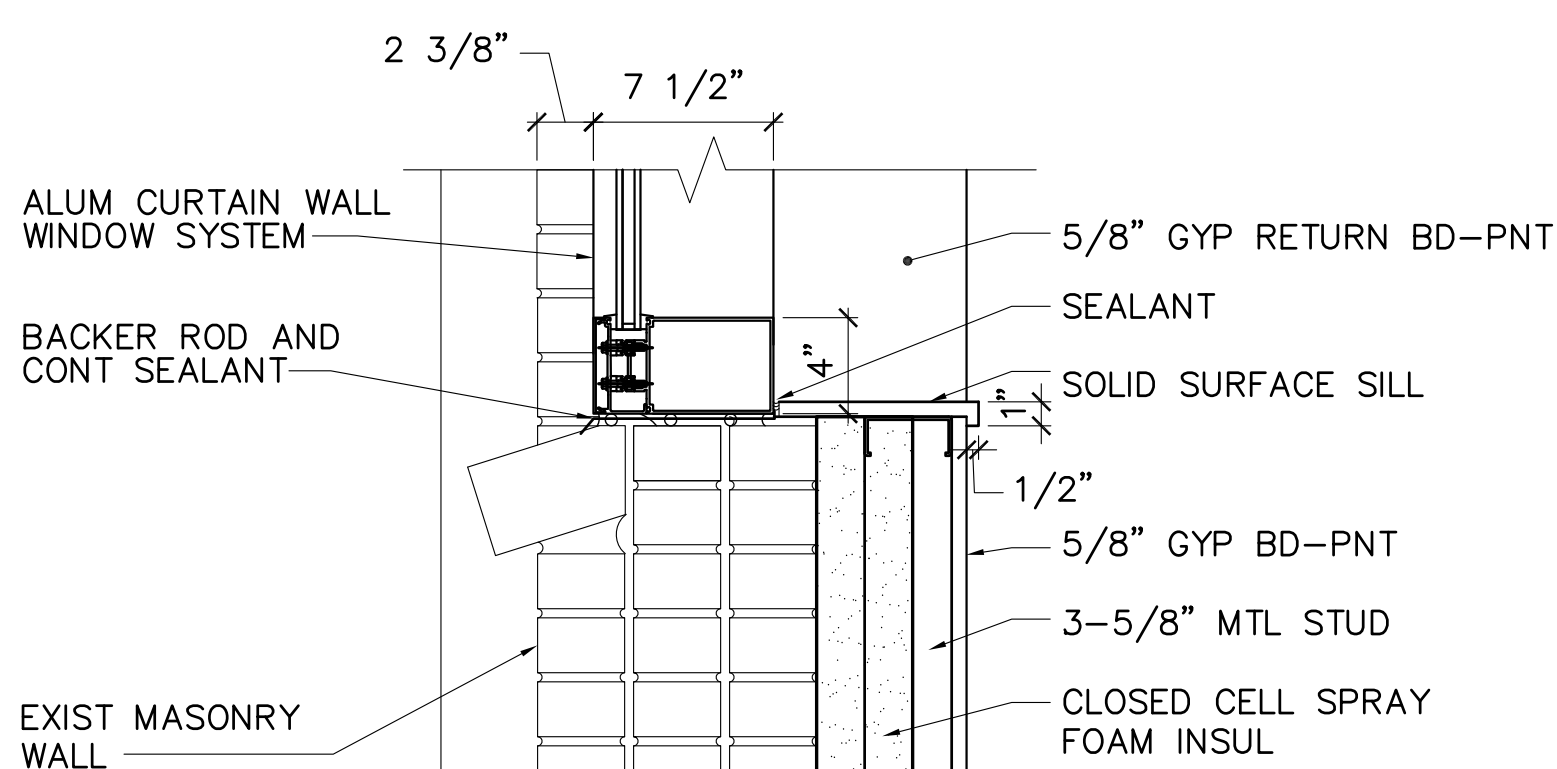
J DOOR JAMB DETAIL



K HEAD DETAIL



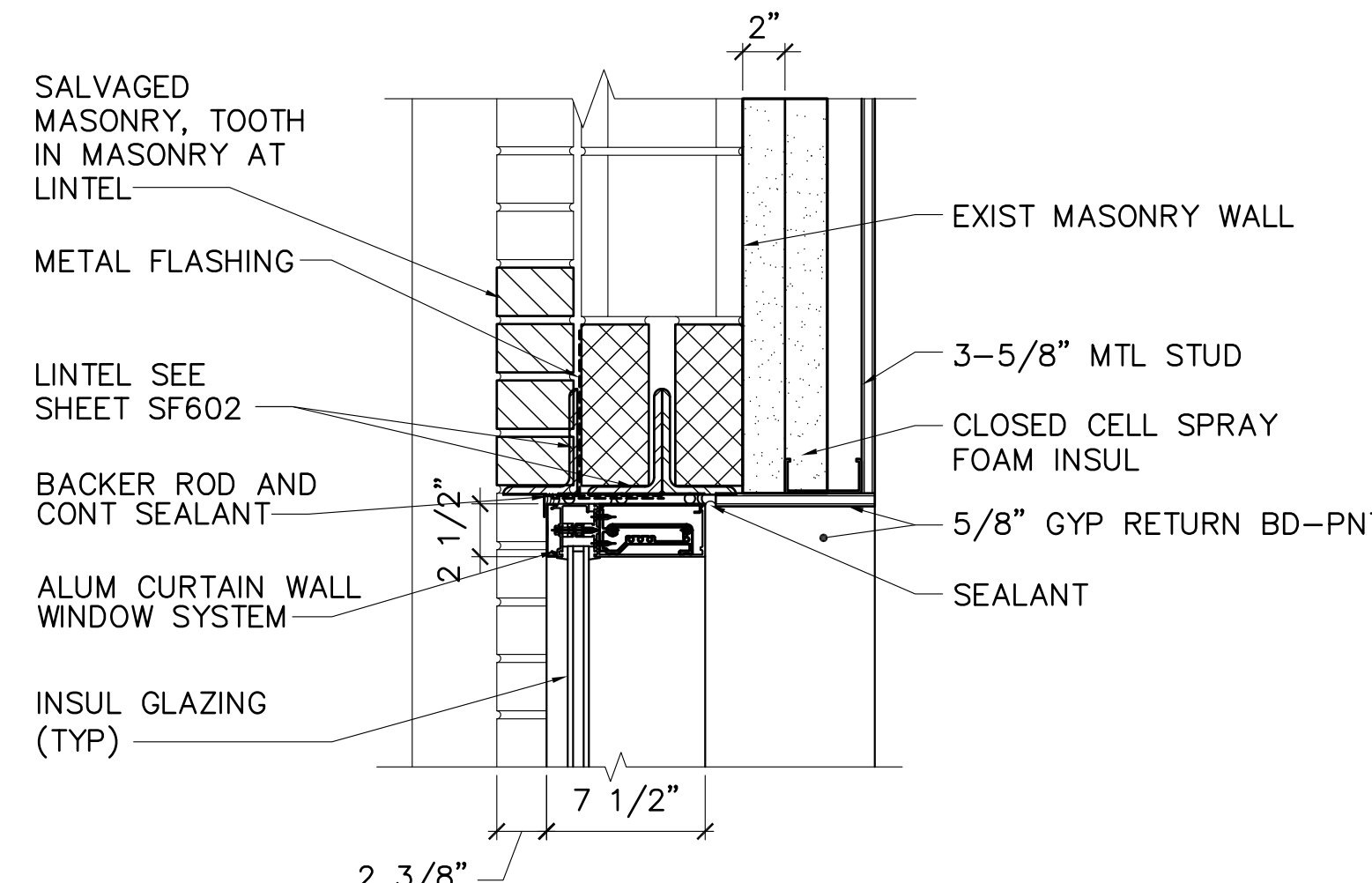
L JAMB DETAIL



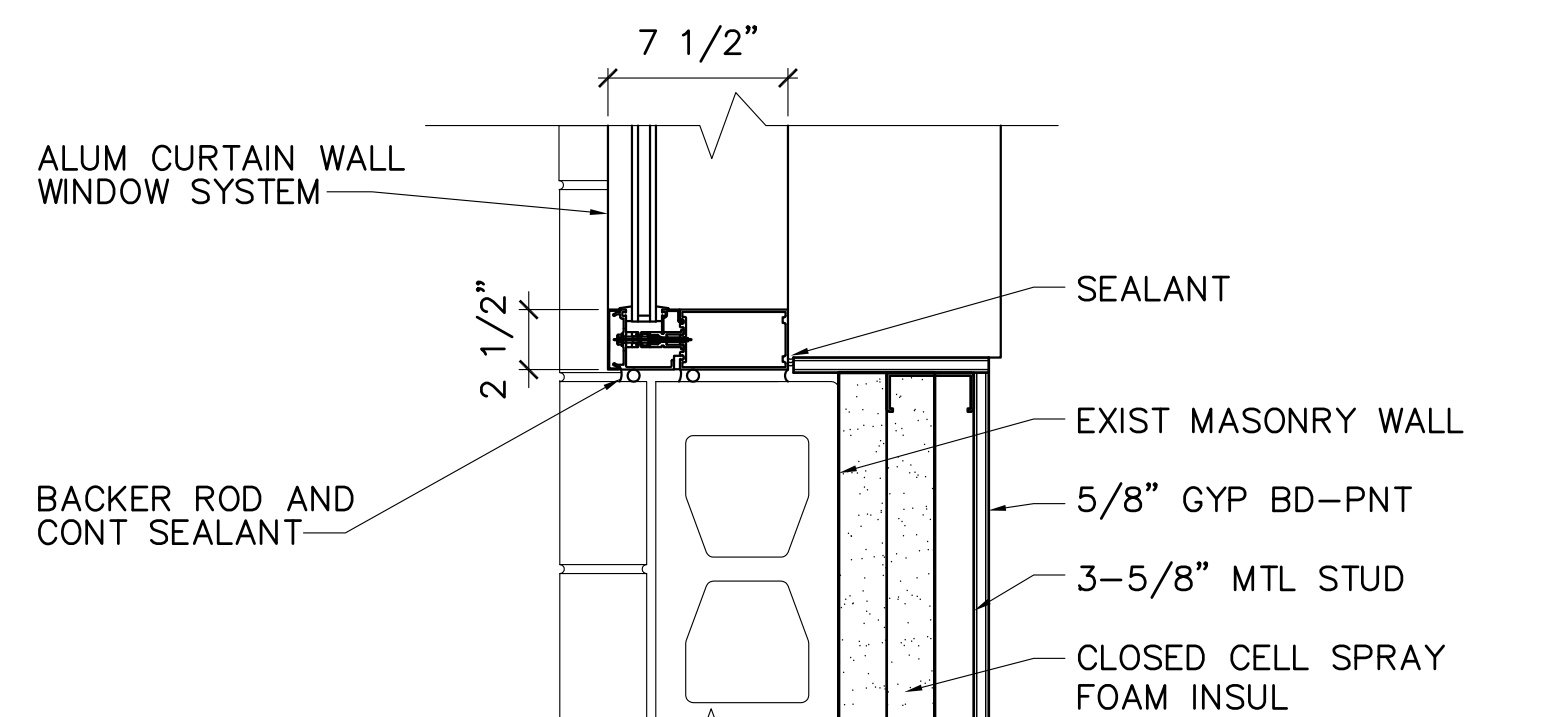
M SILL DETAIL

1 TYPICAL CURTAINWALL FRAME DETAILS

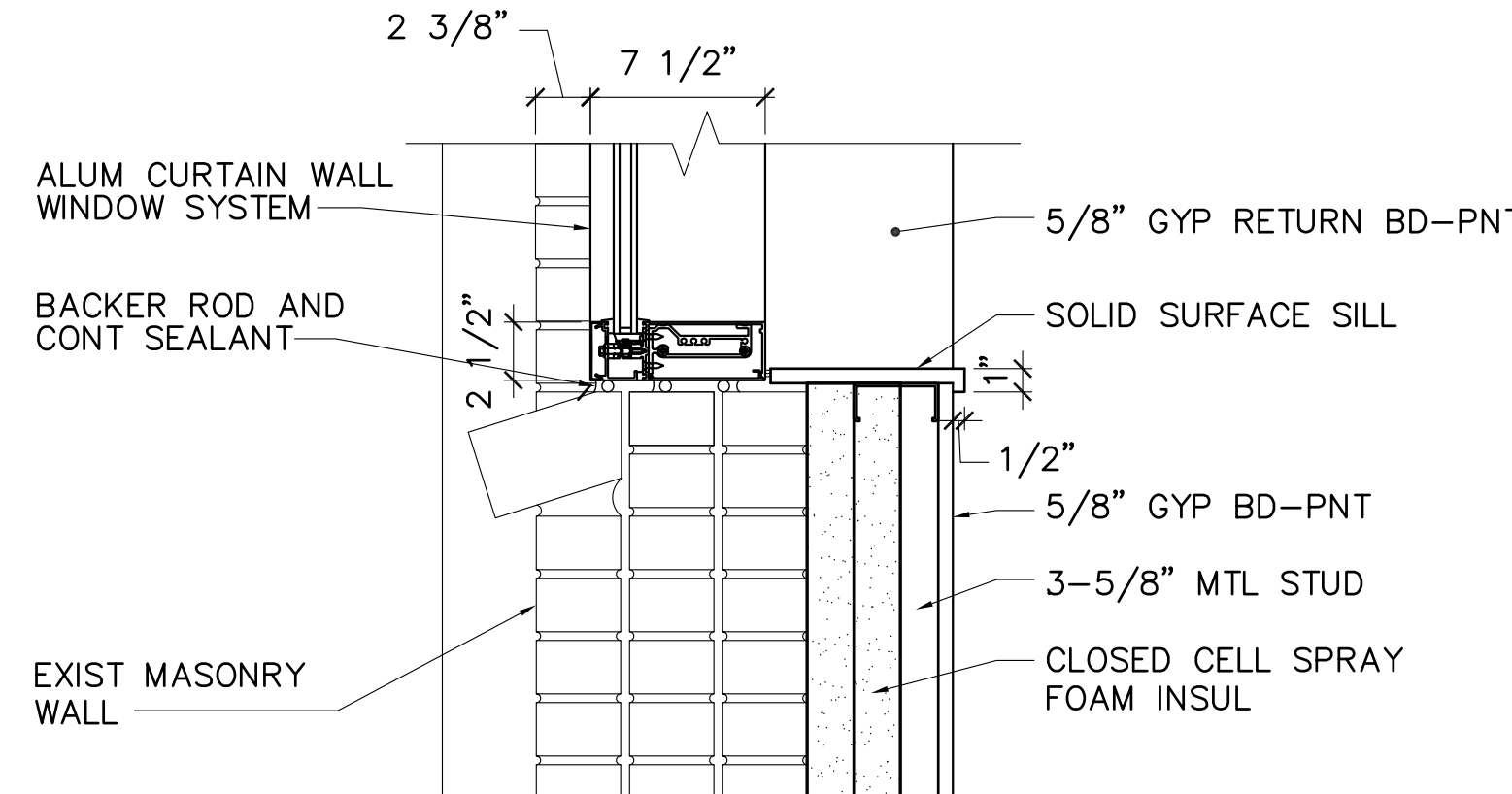
AE301, AE302, AE303, AE304, AE620, AE621 SCALE: 1-1/2"=1'-0"



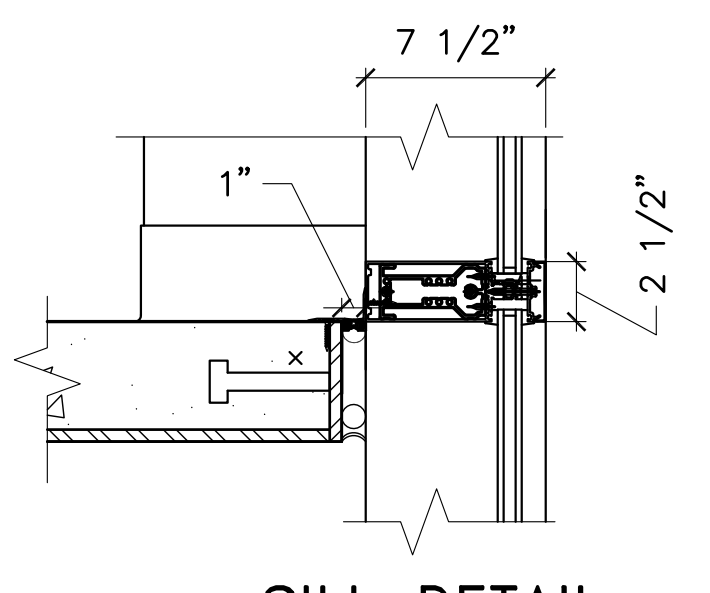
N HEAD DETAIL



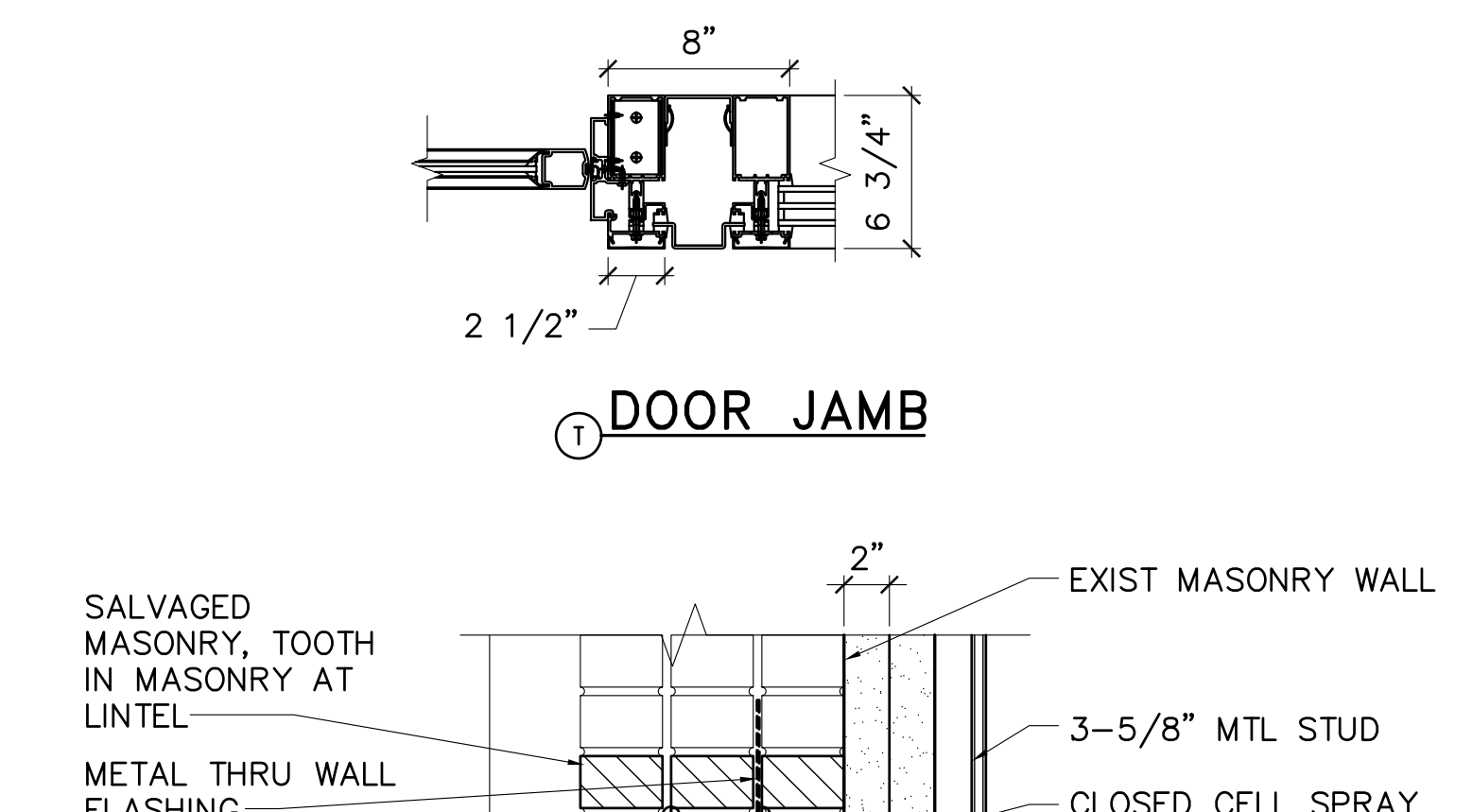
O JAMB DETAIL



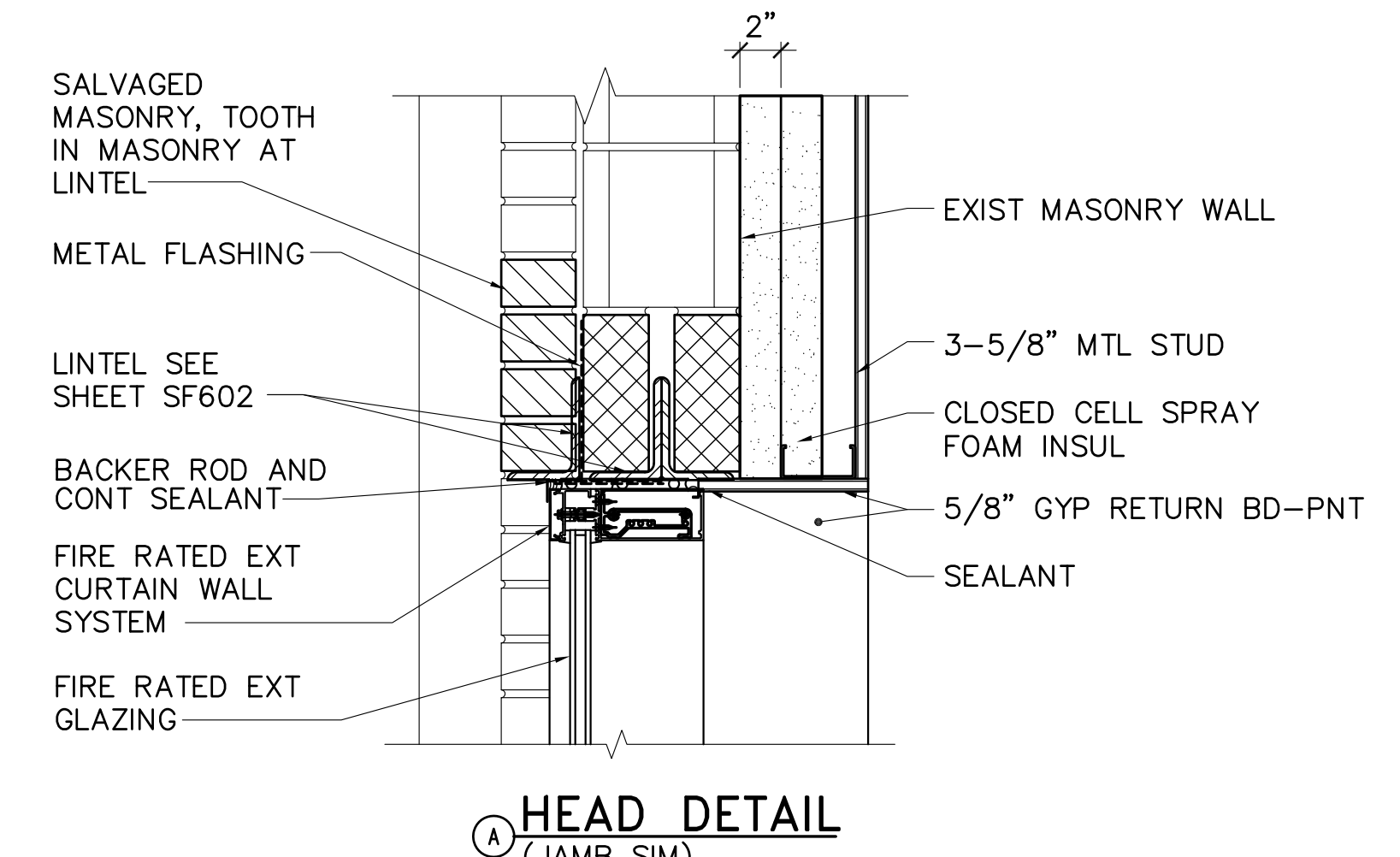
P SILL DETAIL



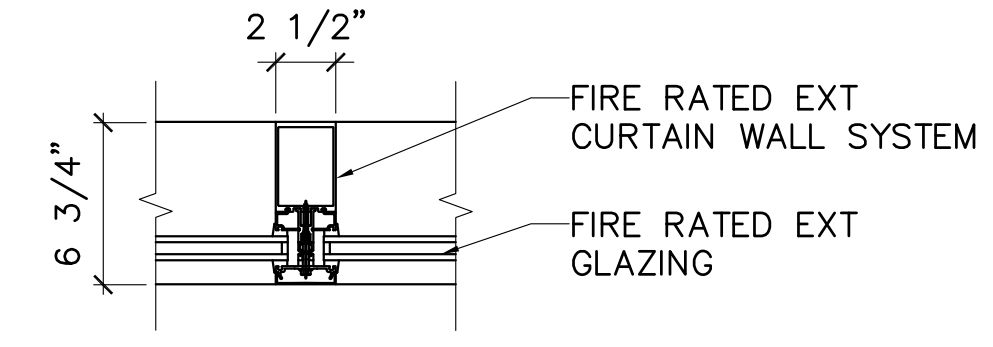
Q DOOR JAMB



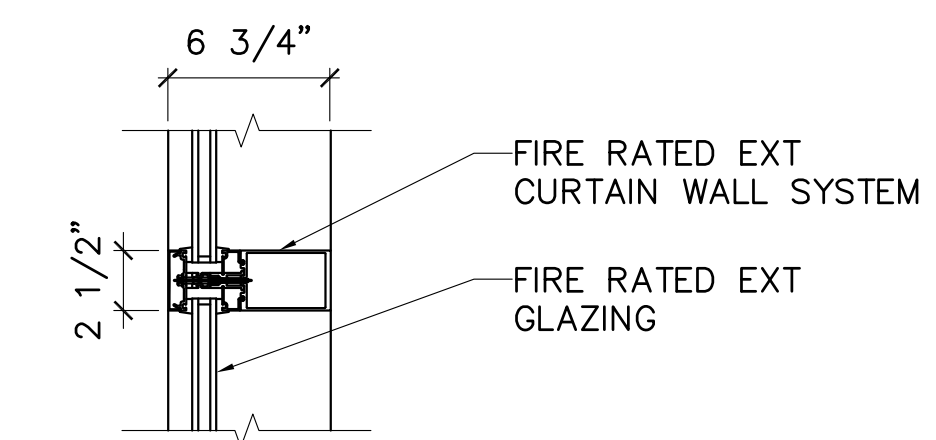
U HEAD DETAIL @ WINDOW TYPE A1



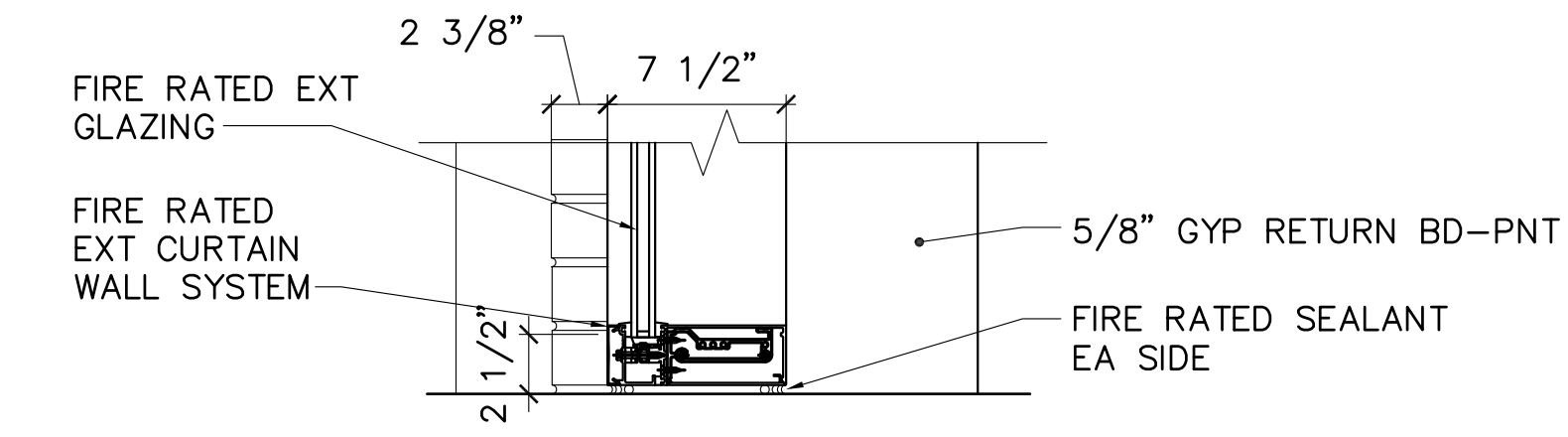
V HEAD DETAIL



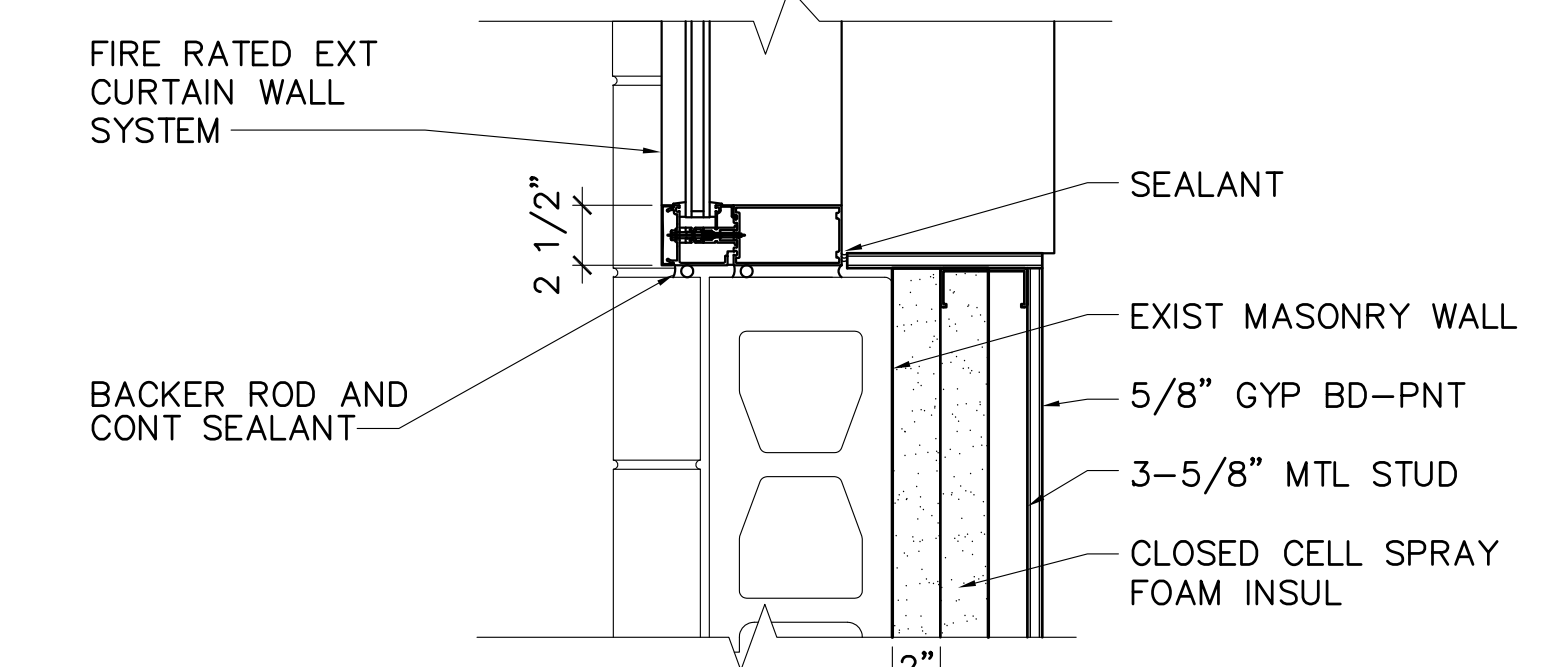
W VERTICAL MULLION DETAIL



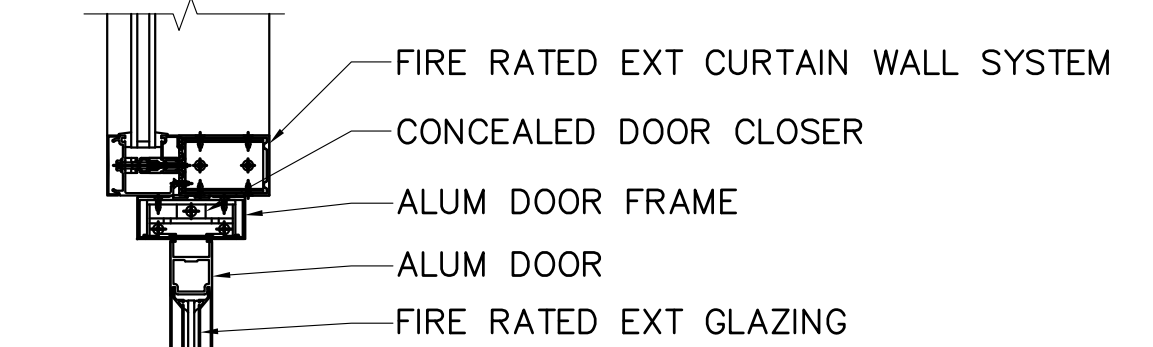
X HORIZONTAL MULLION DETAIL



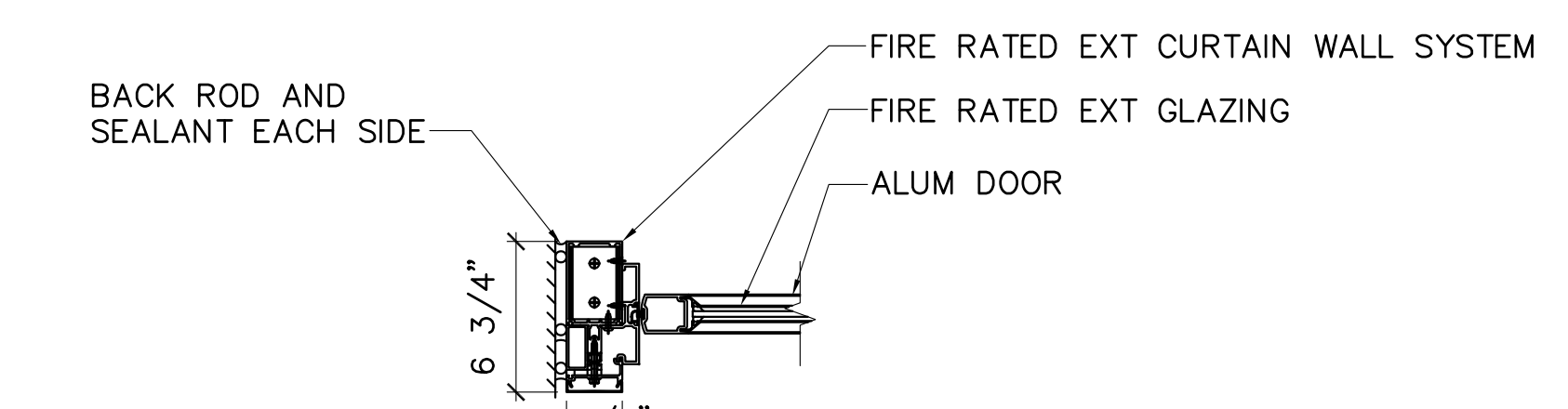
Y SILL DETAIL



Z JAMB DETAIL



AA DOOR HEAD DETAIL



AB DOOR JAMB DETAIL

2 1 HOUR FIRE RATED CURTAINWALL FRAME DETAILS

AE620, AE621 SCALE: 1-1/2"=1'-0"

