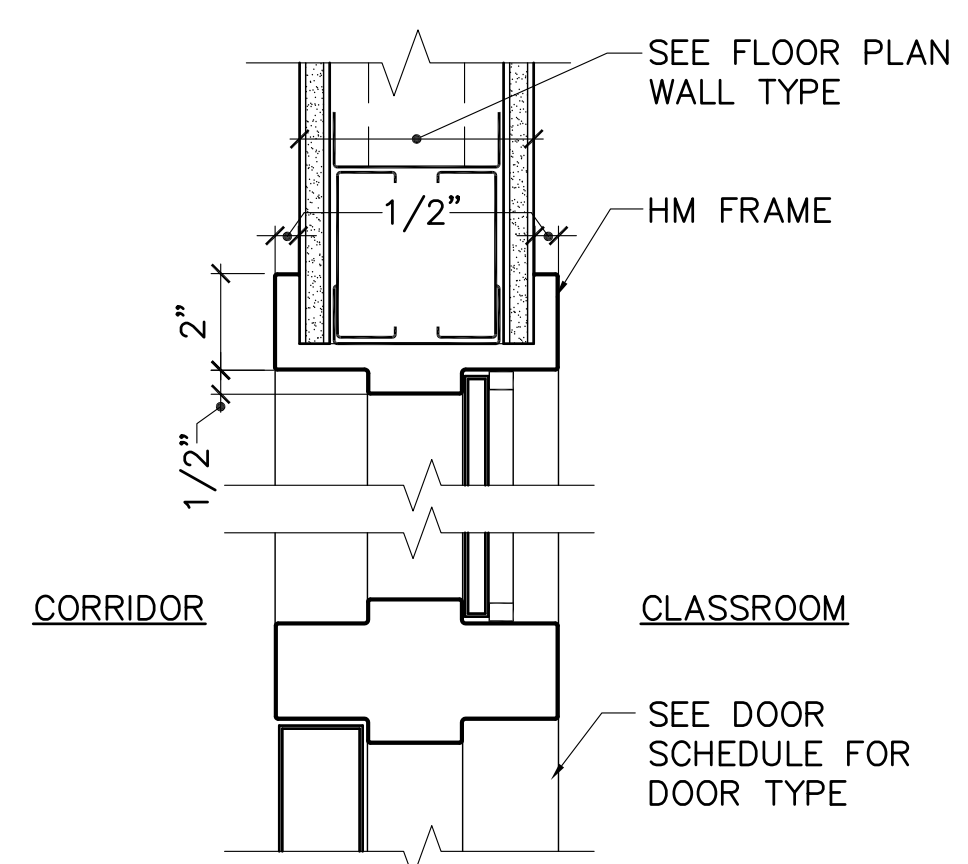
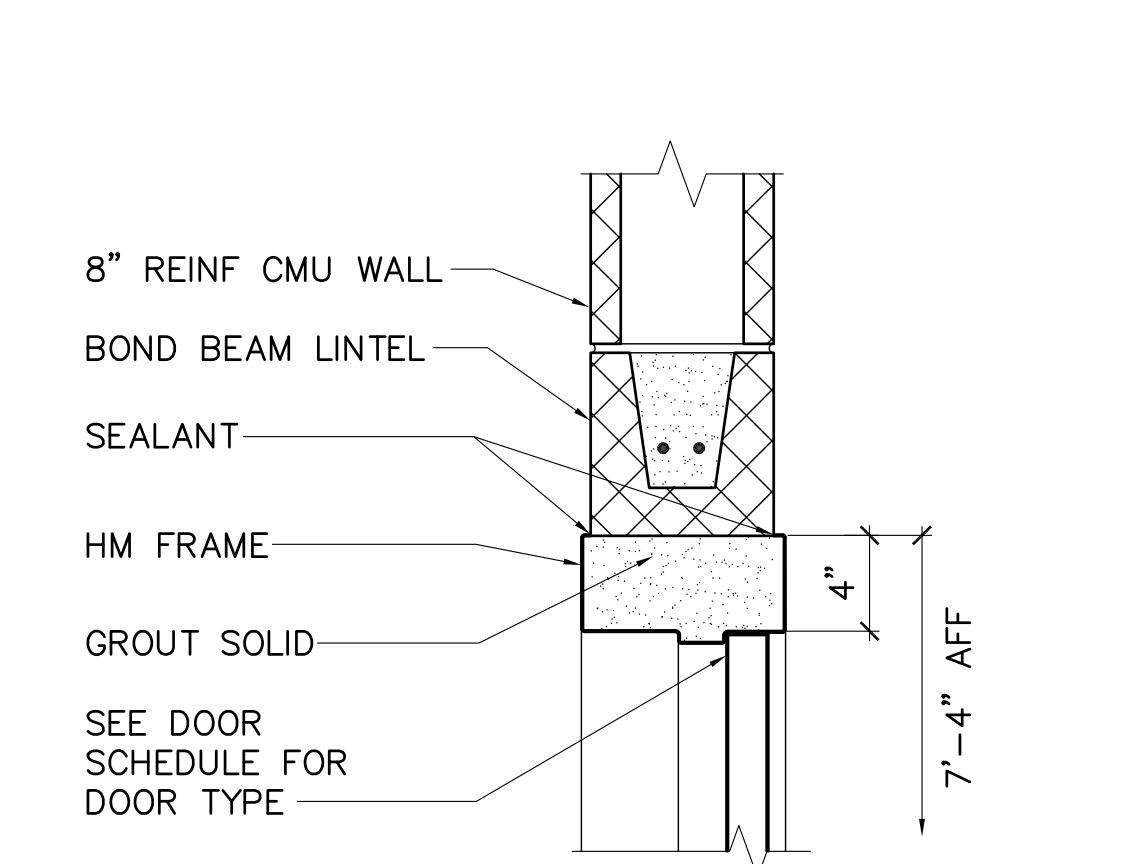


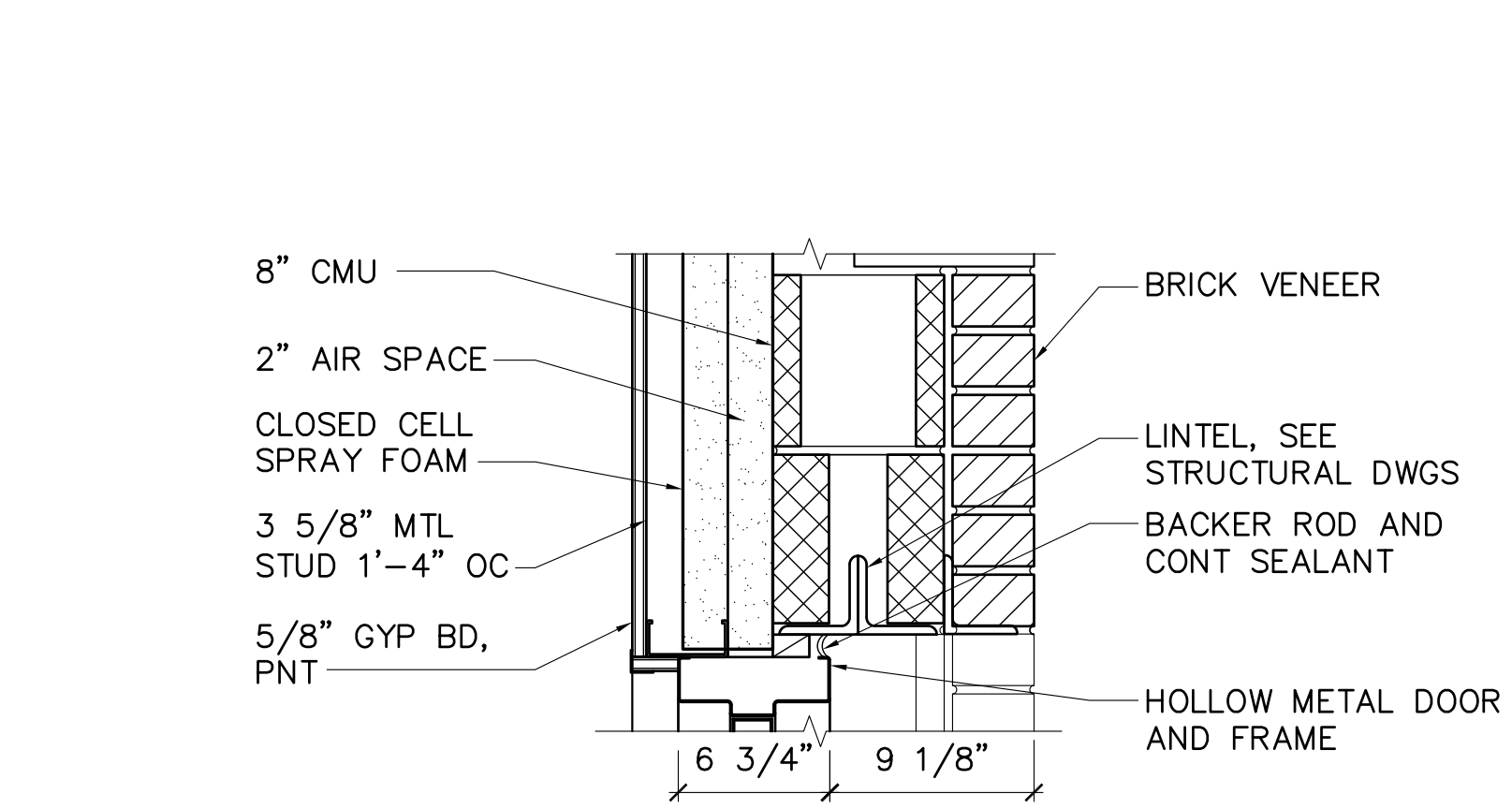
1 DOOR HEAD DETAIL
AE601/AE602 SCALE: 3"=1'-0"



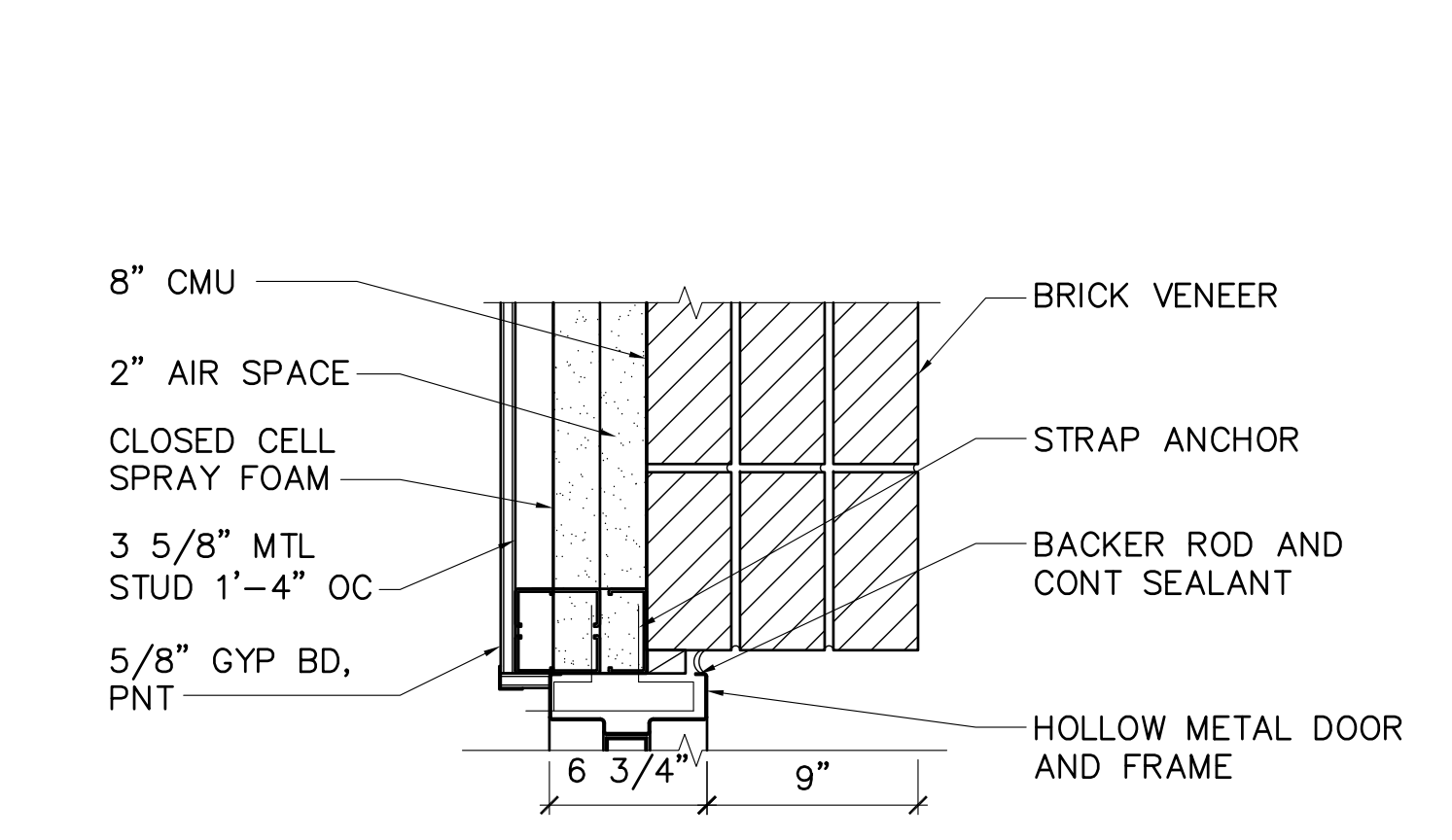
3 TRANSOM HEAD DETAIL
AE601/AE602 SCALE: 3"=1'-0"



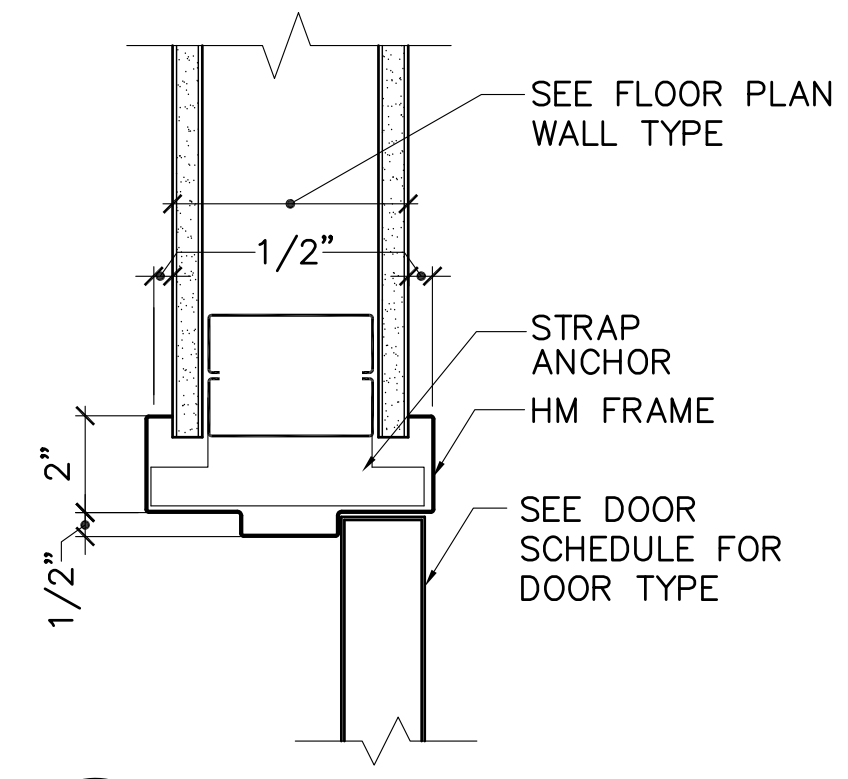
4 MASONRY HEAD DETAIL
AE601/AE602 SCALE: 1-1/2"=1'-0"



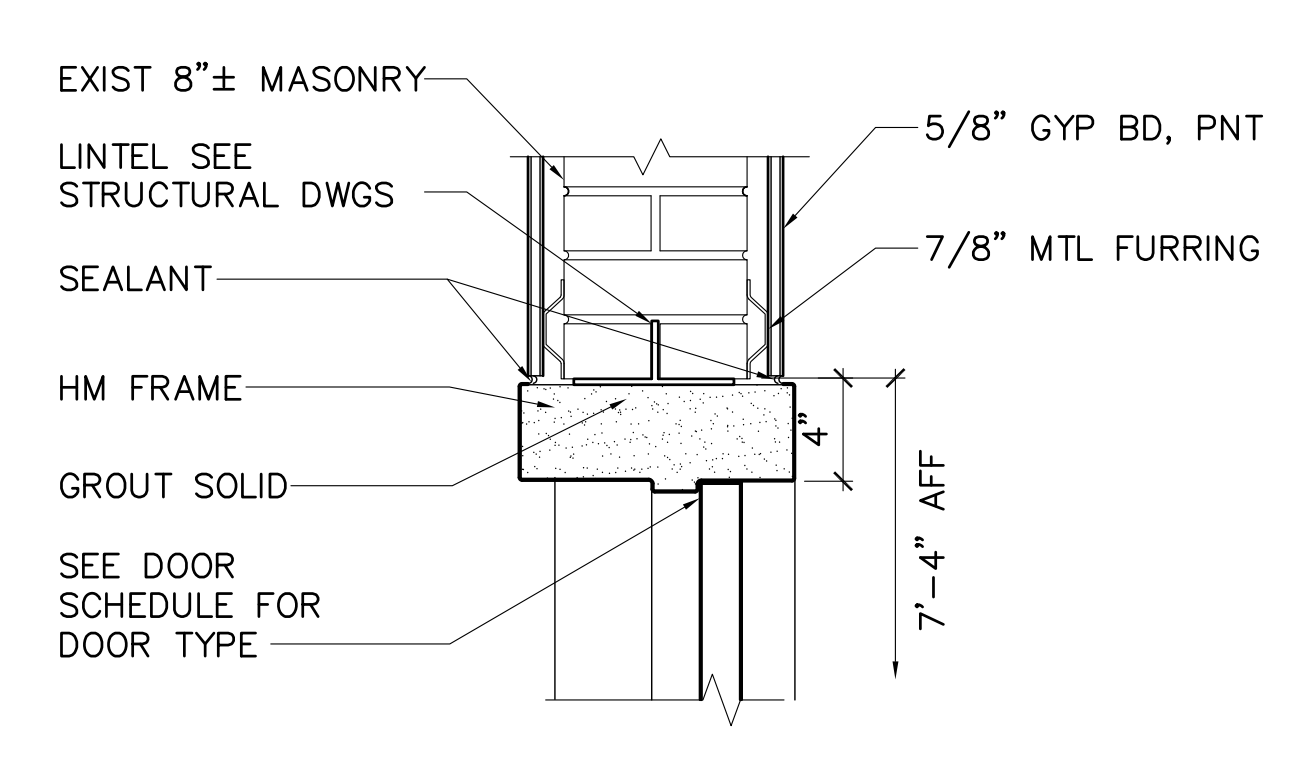
7 DOOR HEAD AT TYP STAIR S01
AE301,AE601/AE602 SCALE: 1-1/2"=1'-0"



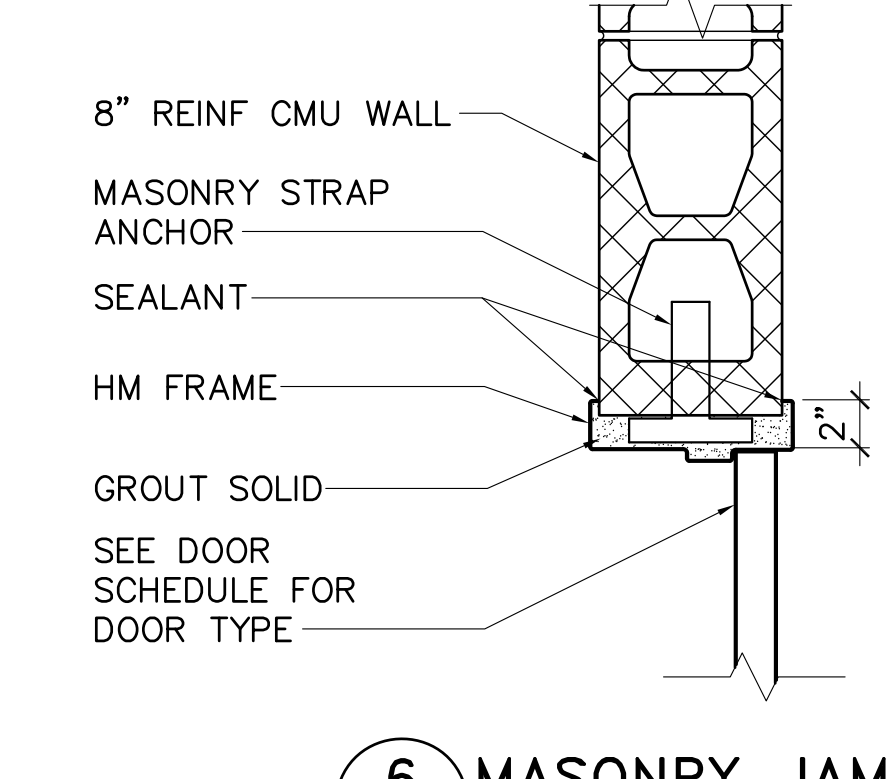
9 DOOR JAMB AT TYP EXTERIOR WALL
AE601/AE602 SCALE: 1-1/2"=1'-0"



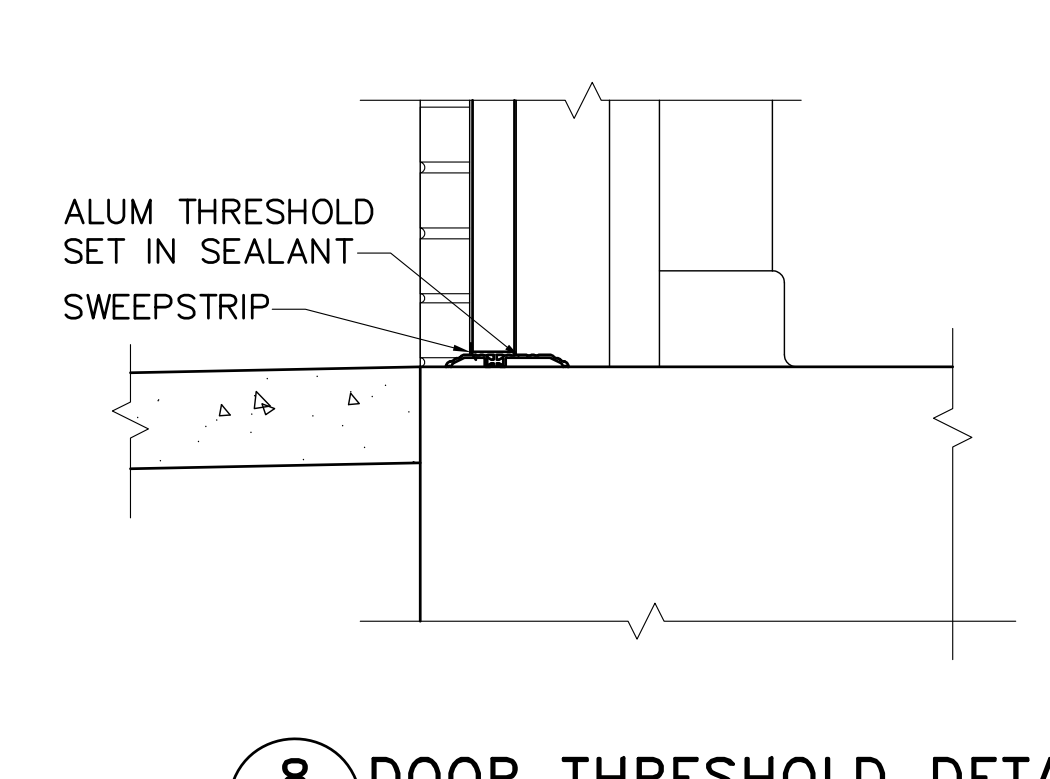
2 DOOR JAMB DETAIL
AE601/AE602 SCALE: 3"=1'-0"



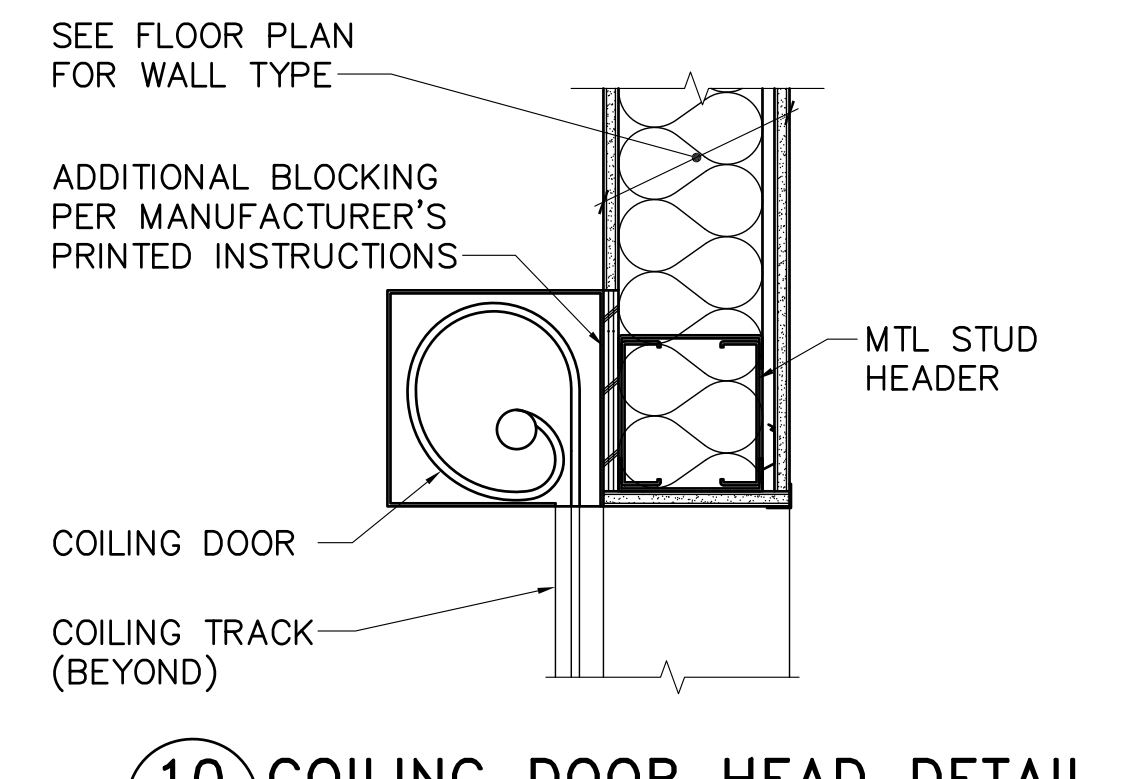
5 HEAD DETAIL
AE601/AE602 SCALE: 1-1/2"=1'-0"



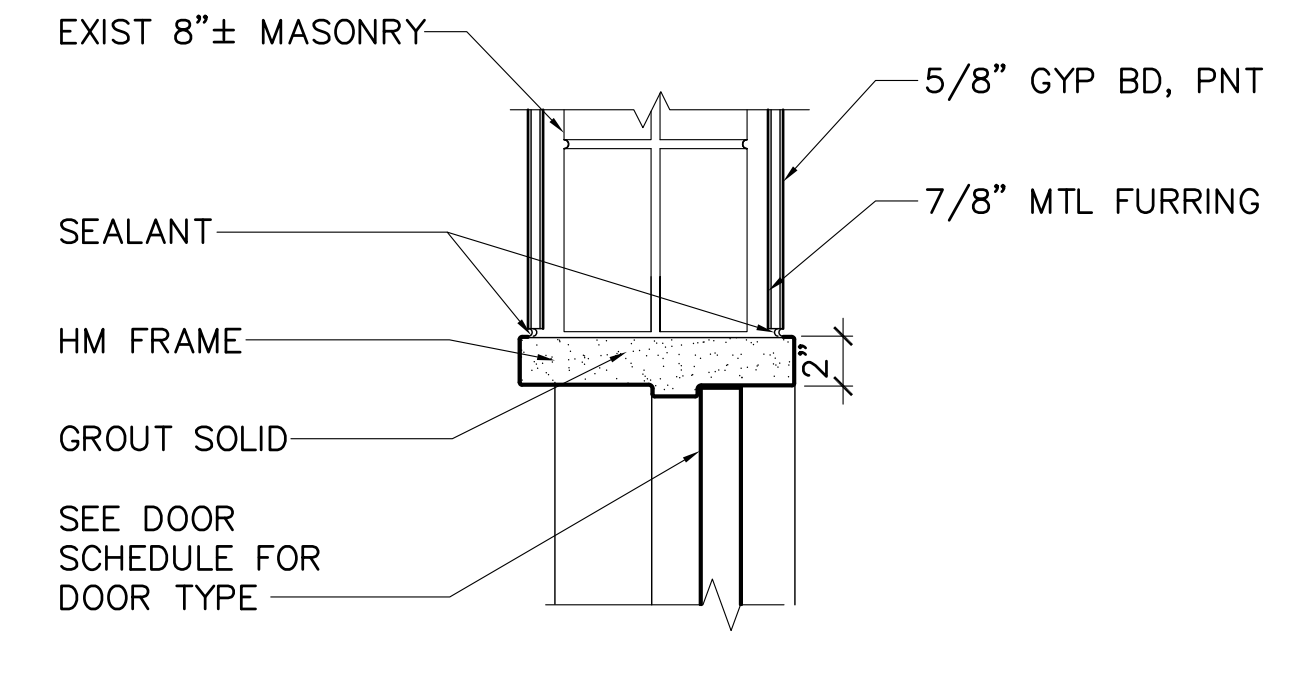
6 MASONRY JAMB DETAIL
AE601/AE602 SCALE: 1-1/2"=1'-0"



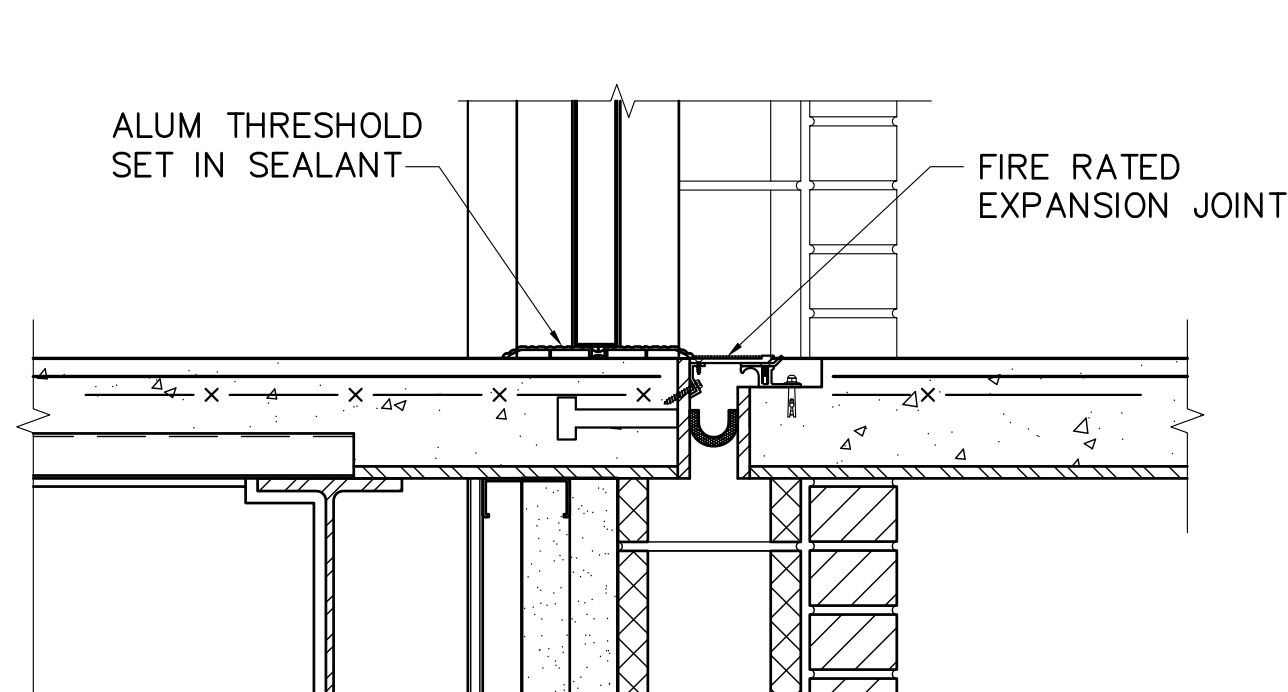
8 DOOR THRESHOLD DETAIL
AE601/AE602 SCALE: 1-1/2"=1'-0"



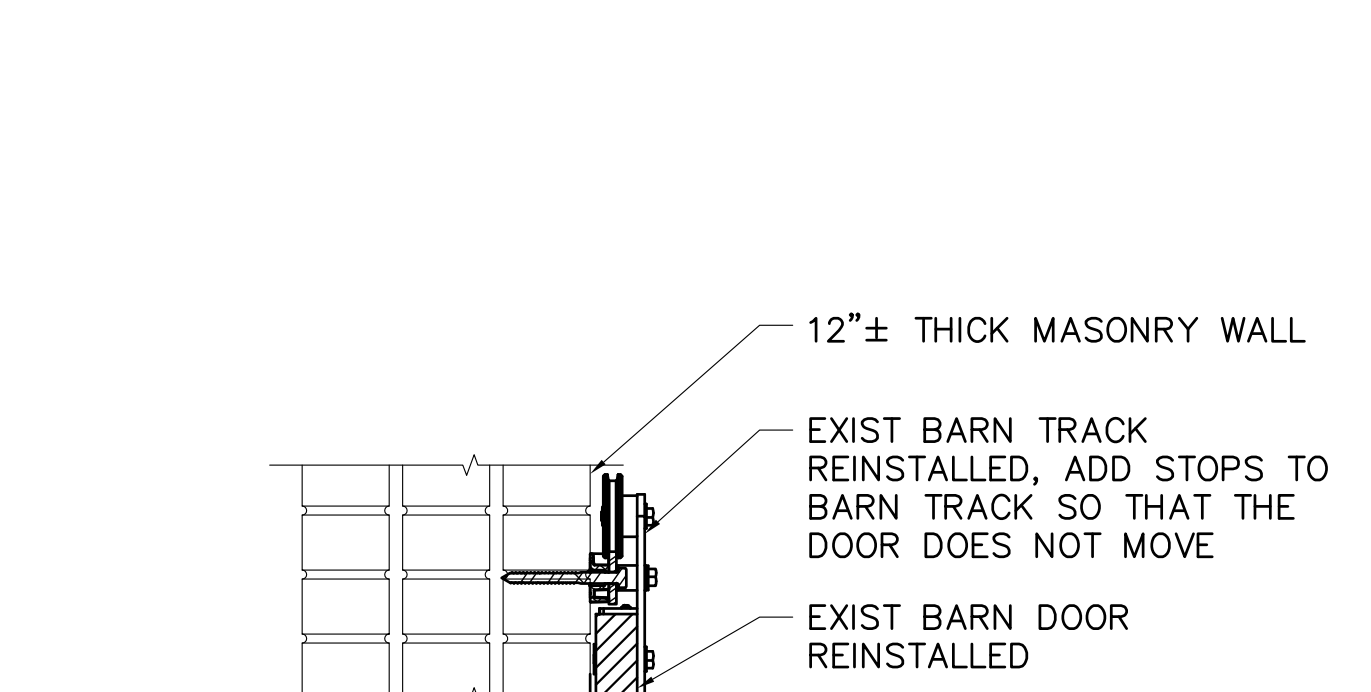
10 COILING DOOR HEAD DETAIL
AE601/AE602 SCALE: 1-1/2"=1'-0"



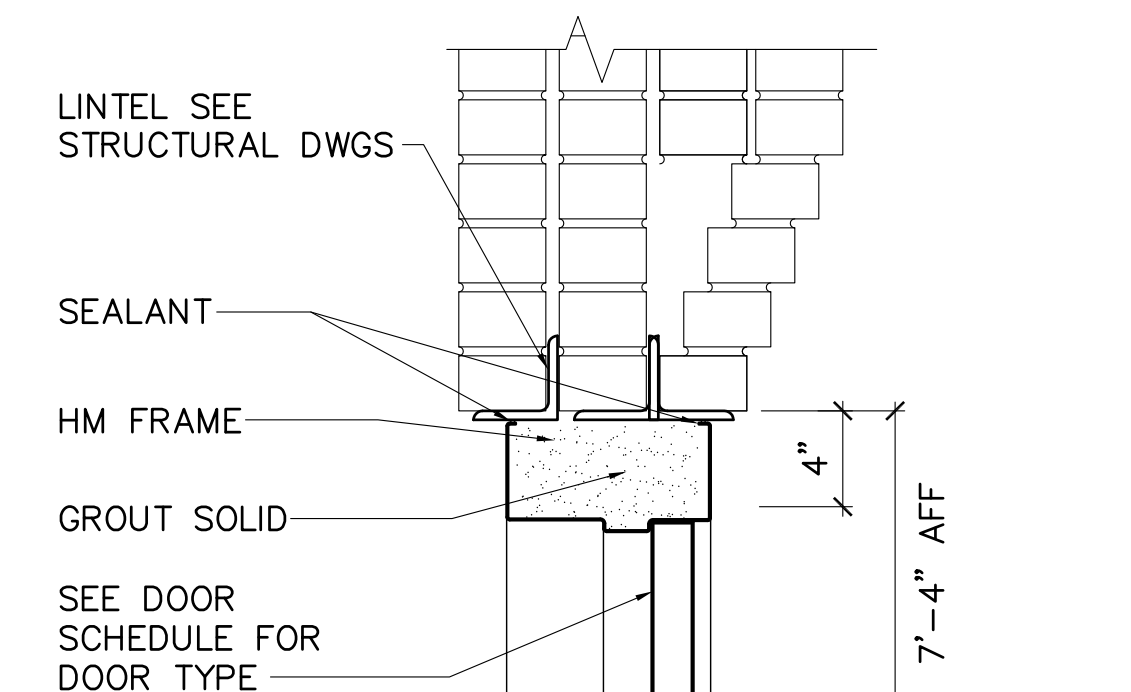
5 JAMB DETAIL
AE601/AE602 SCALE: 1-1/2"=1'-0"



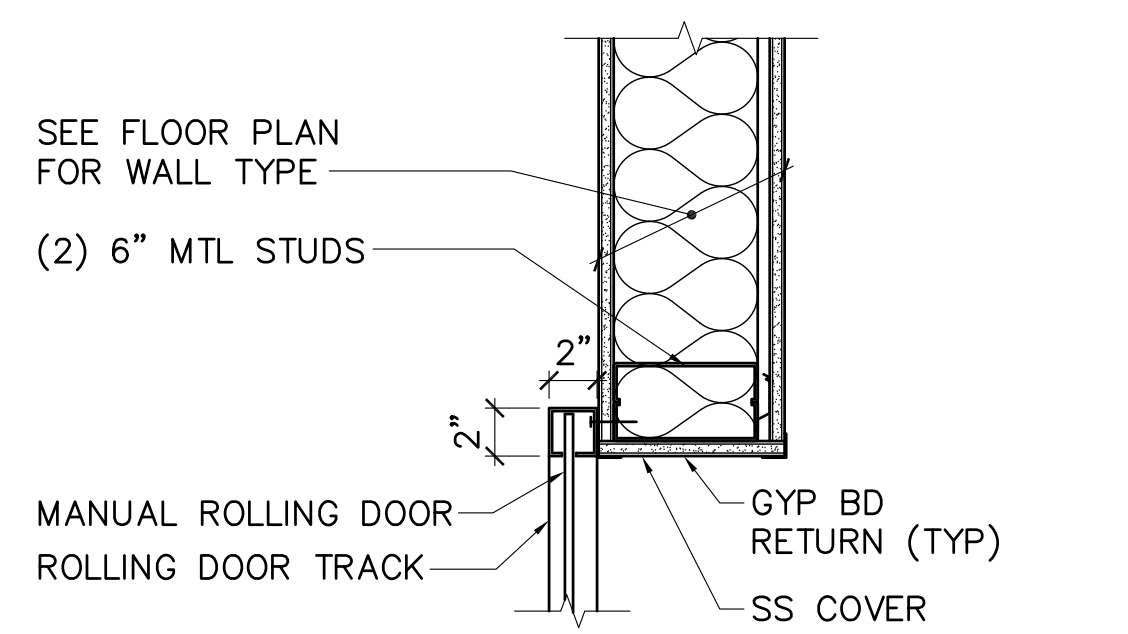
12 EXPANSION JOINT DETAIL @ DOOR 200
AE301,AE601/AE602 SCALE: 1-1/2"=1'-0"



13 BARN DOOR HEAD IN FUNCTION ROOM DETAIL
AE401,AE601/AE602 SCALE: 1-1/2"=1'-0"



14 DOOR HEAD AT CORBELING DETAIL
AE401,AE601/AE602 SCALE: 1-1/2"=1'-0"



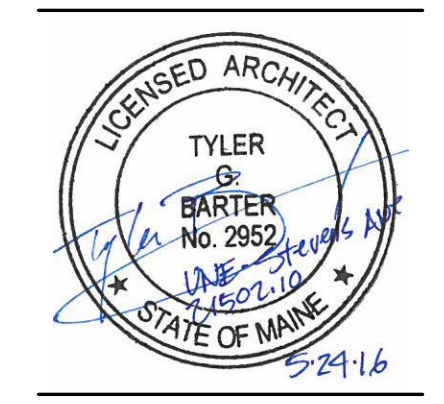
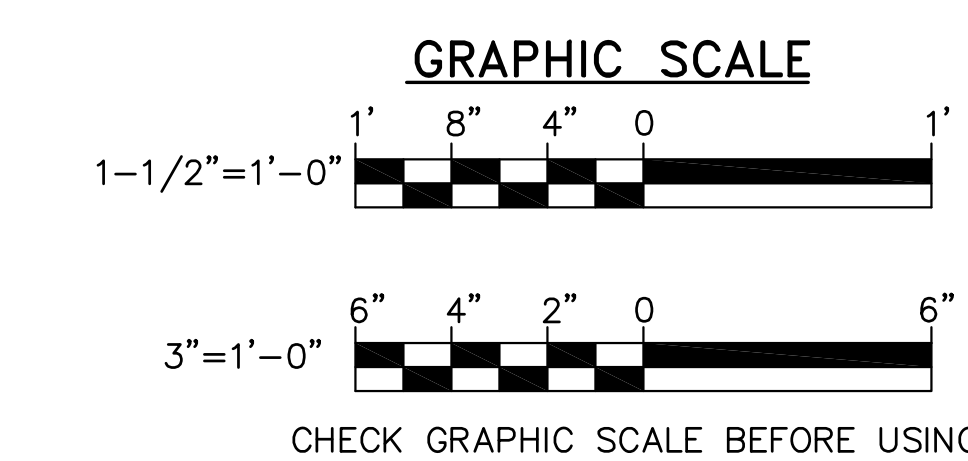
11 COILING DOOR JAMB DETAIL
AE601/AE602 SCALE: 1-1/2"=1'-0"

5 DOOR @ STAIR S05 DETAILS
AE601/AE602 SCALE: 1-1/2"=1'-0"

12 EXPANSION JOINT DETAIL @ DOOR 200
AE301,AE601/AE602 SCALE: 1-1/2"=1'-0"

13 BARN DOOR HEAD IN FUNCTION ROOM DETAIL
AE401,AE601/AE602 SCALE: 1-1/2"=1'-0"

14 DOOR HEAD AT CORBELING DETAIL
AE401,AE601/AE602 SCALE: 1-1/2"=1'-0"



DESIGNED BY: TGB
DRAWN BY: TGB
CHECKED BY: TGB
PROJECT: 21602.10

UNIVERSITY OF NEW ENGLAND
PORTLAND CAMPUS
STEVEN AVENUE ARMORY
716 STEVENS AVE
PORTLAND, MAINE 04103
1(207)283-0171

RENOVATIONS TO THE
STEVENS AVENUE ARMORY

DOOR DETAILS

SCALE: AS NOTED
DATE: 05-24-16

DWG. **AE602**

SHEET: 88 OF 169