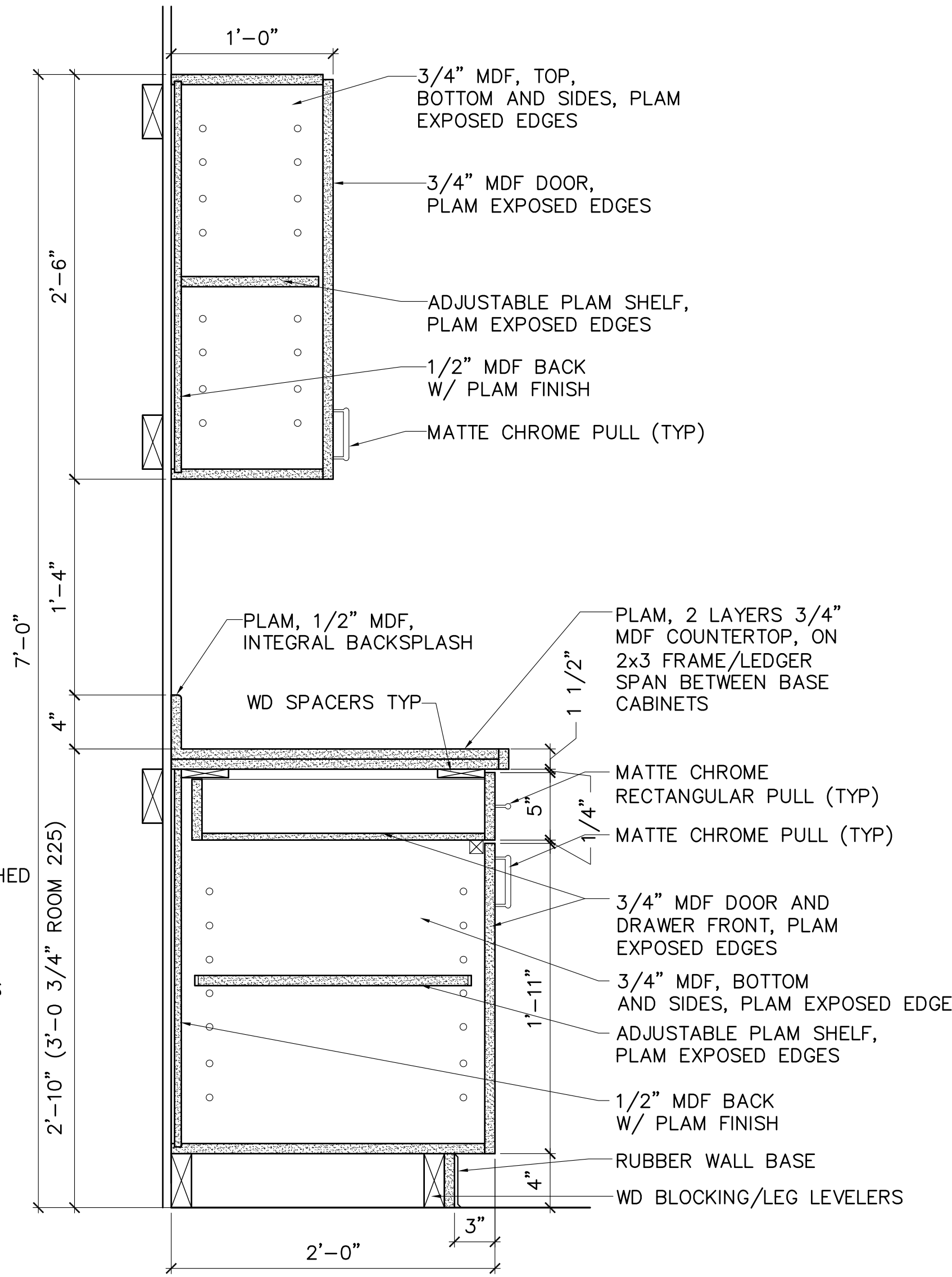
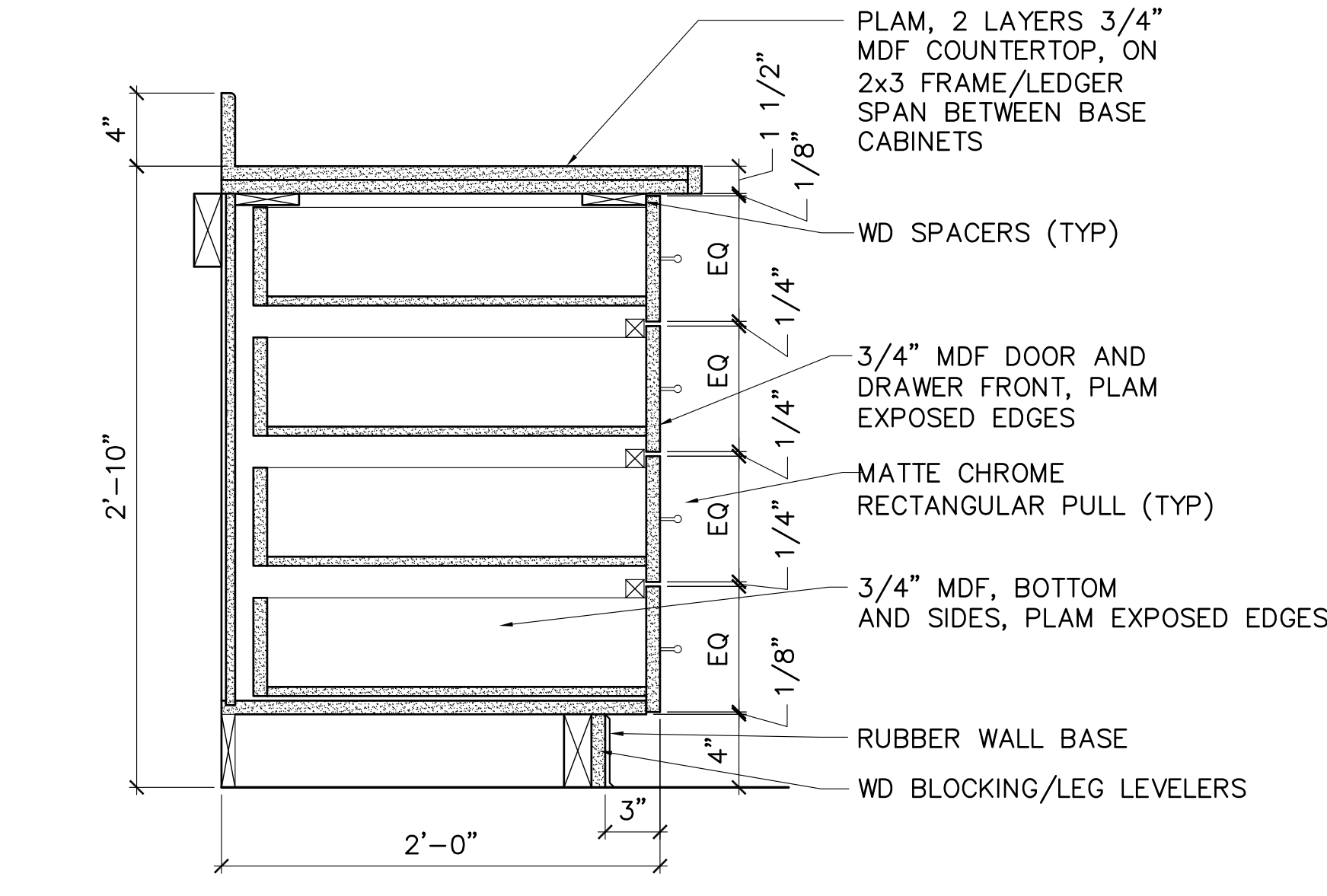


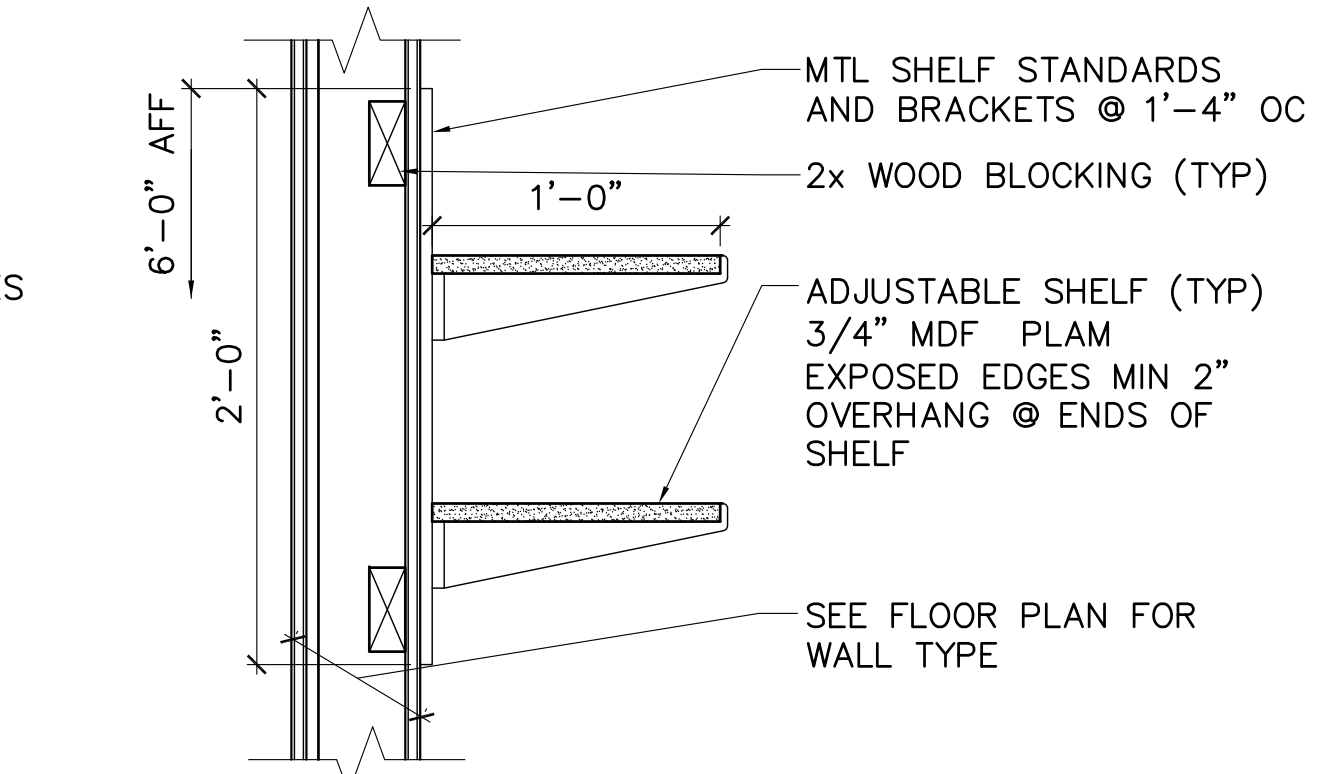
1 TYP SECTION THROUGH SINK
AE740 AE580 SCALE: 1-1/2"=1'-0"



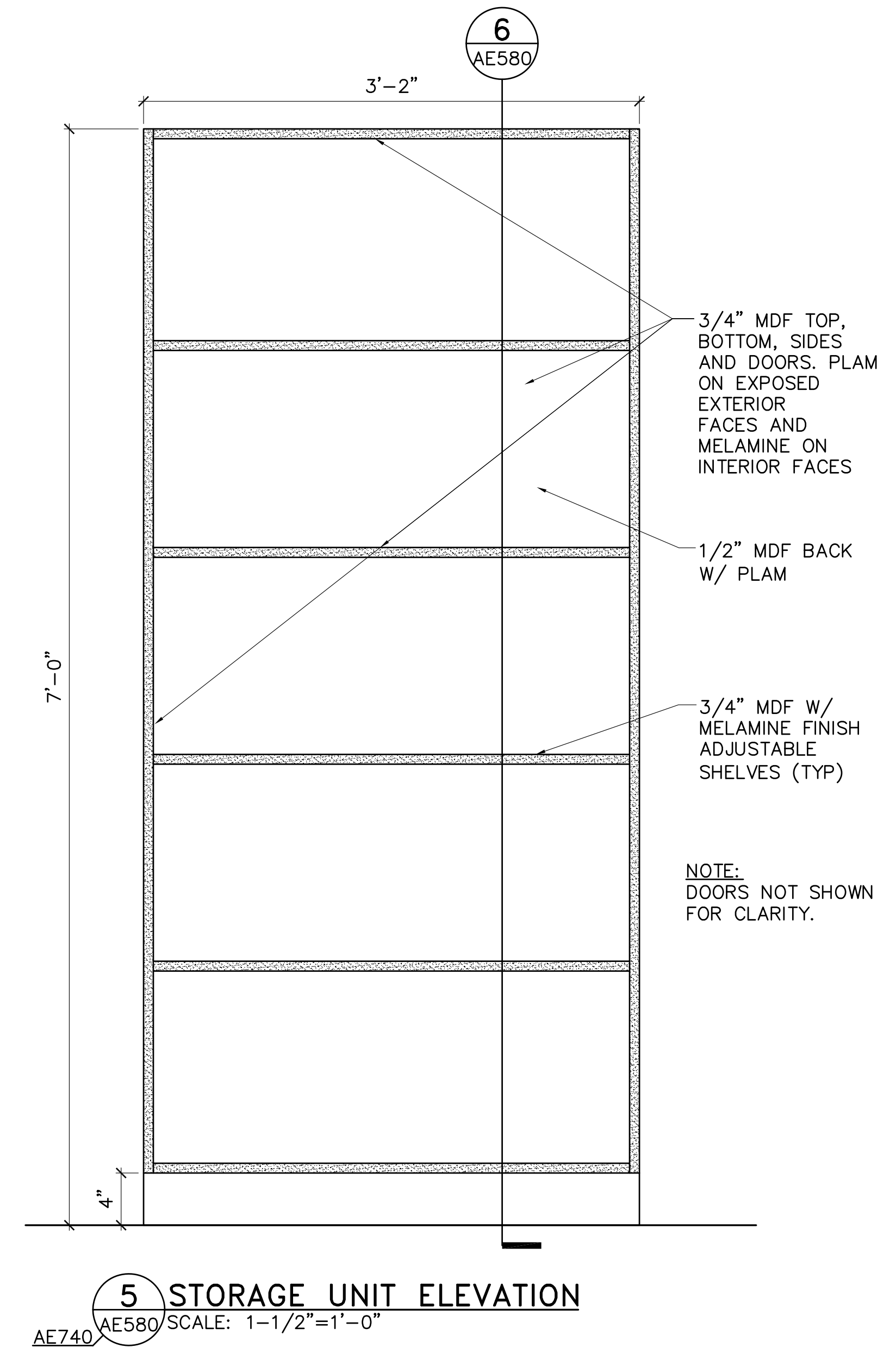
2 TYP SECTION @ BASE CABINET
AE740 AE580 SCALE: 1-1/2"=1'-0"



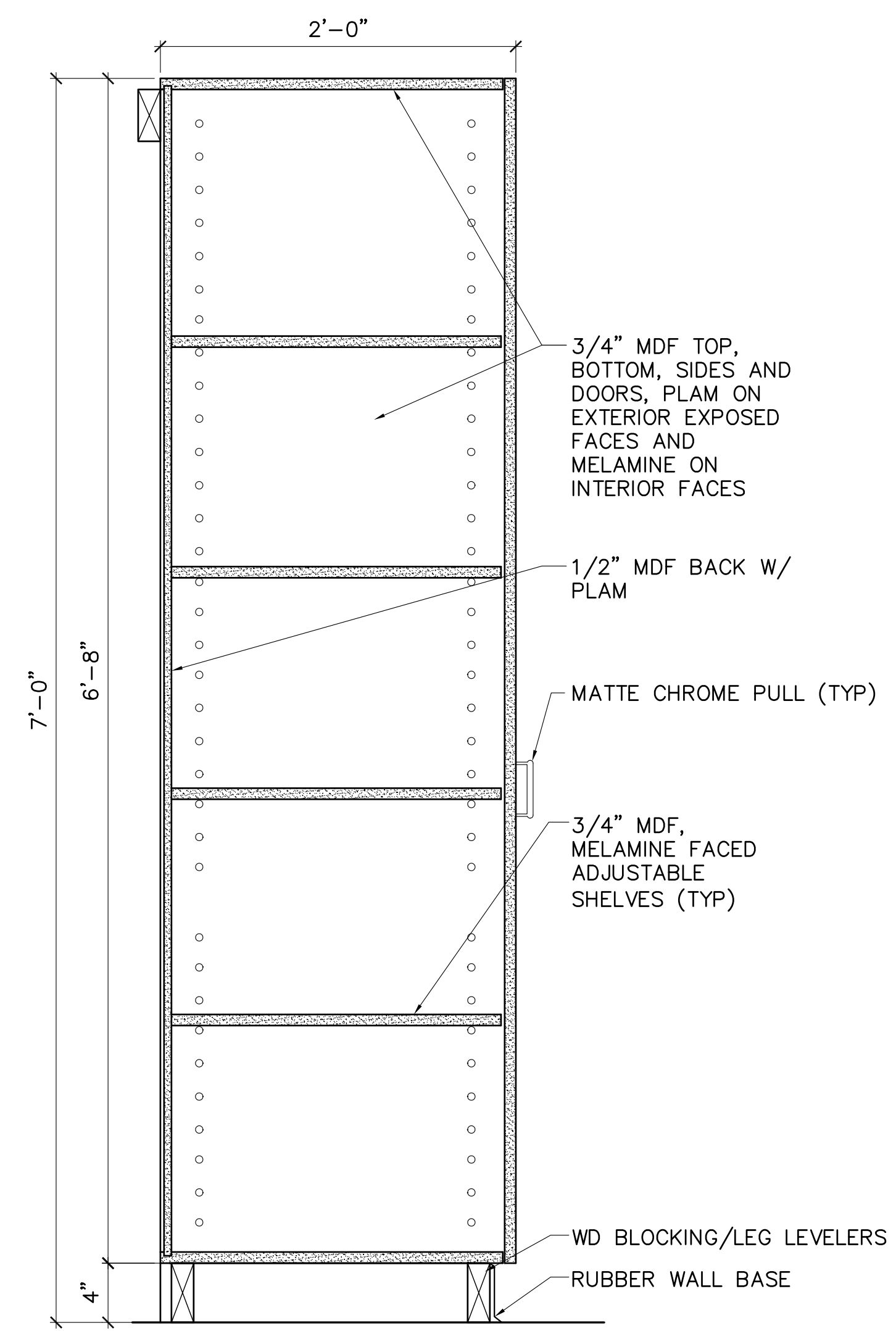
3 TYP SECTION @ DRAWER BASE
AE740 AE580 SCALE: 1-1/2"=1'-0"



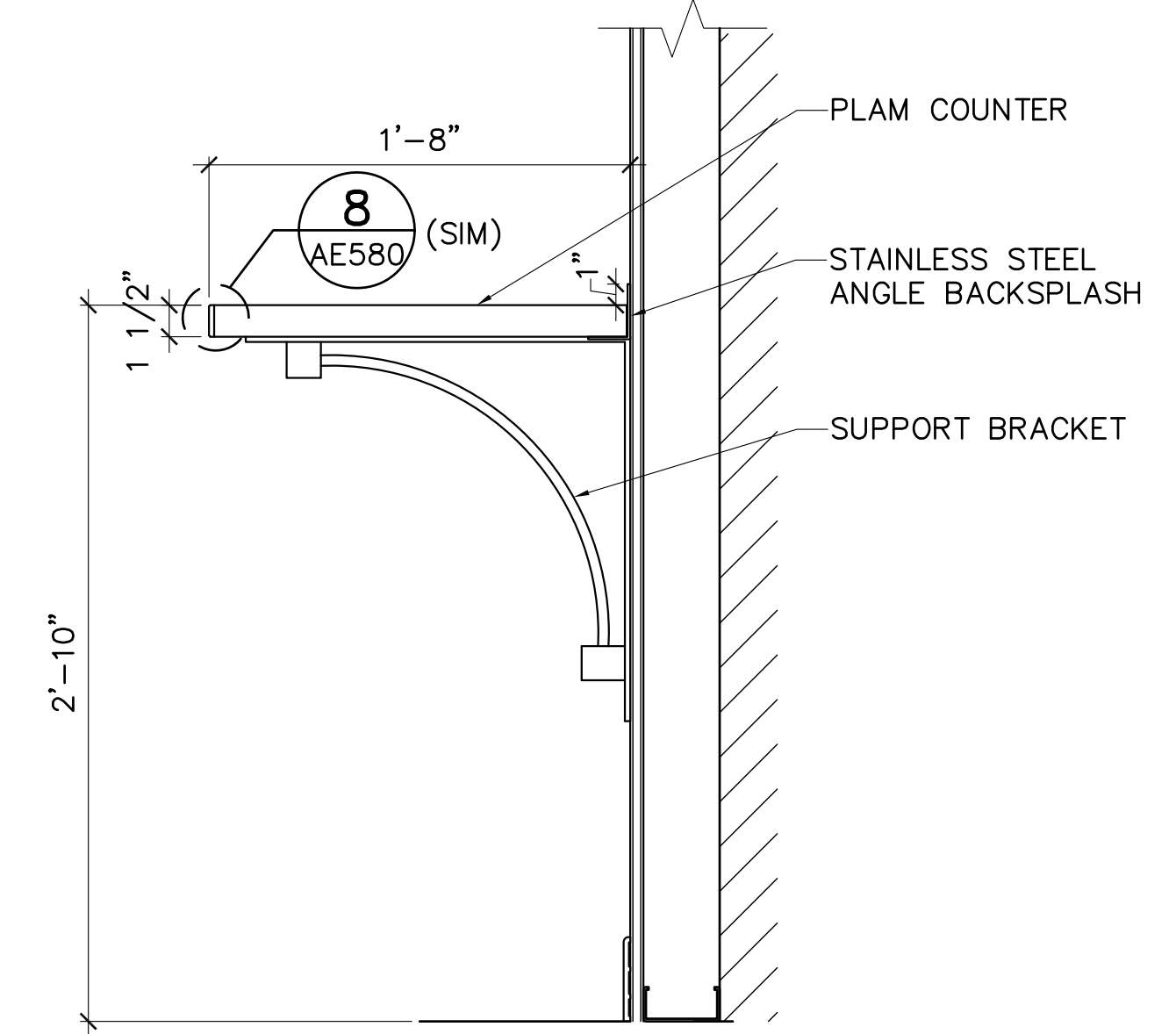
4 TYP OPEN SHELF UNIT
AE741 AE580 SCALE: 1-1/2"=1'-0"



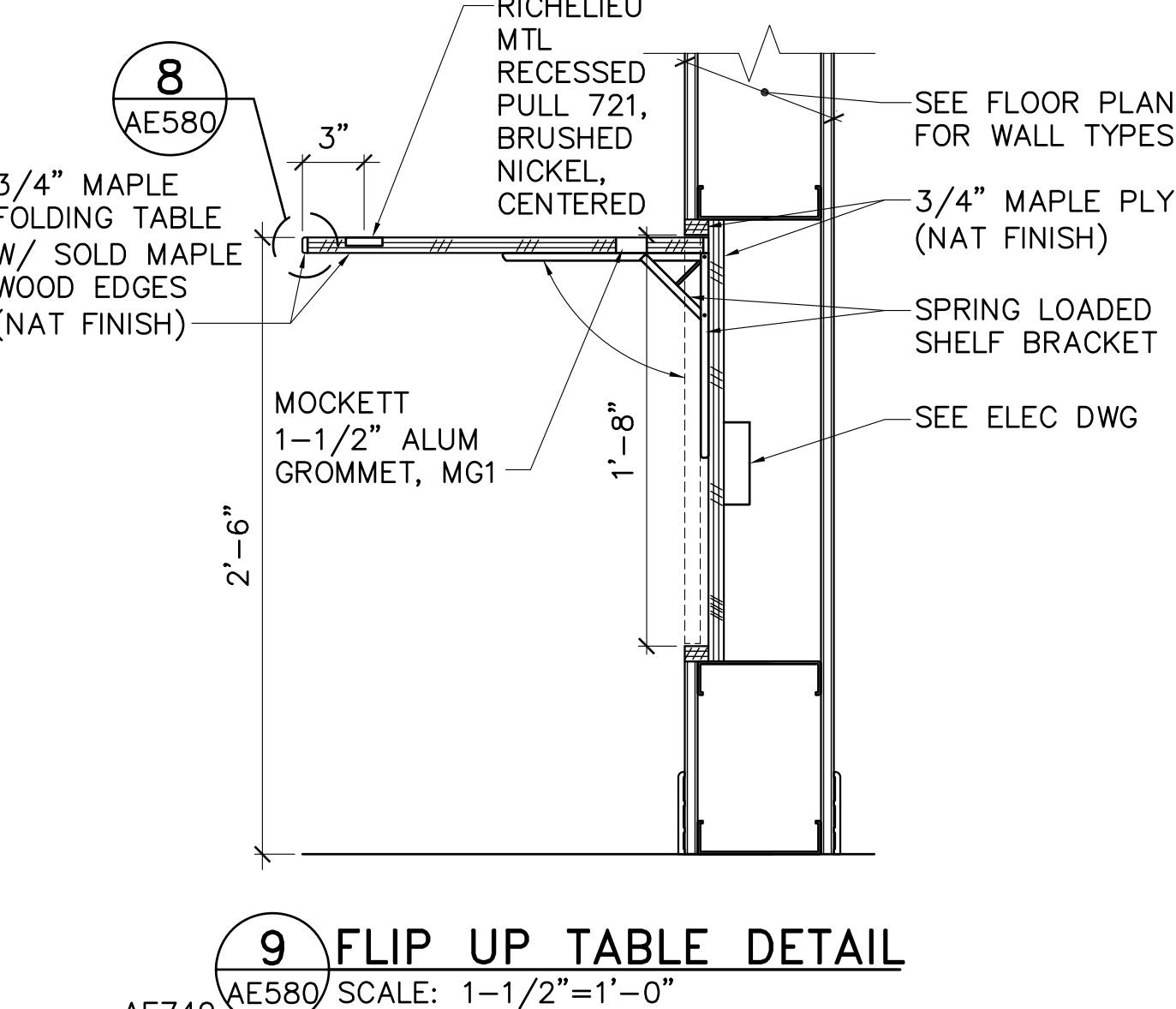
5 STORAGE UNIT ELEVATION
AE740 AE580 SCALE: 1-1/2"=1'-0"



6 SECTION @ STORAGE UNIT
AE580 SCALE: 1-1/2"=1'-0"

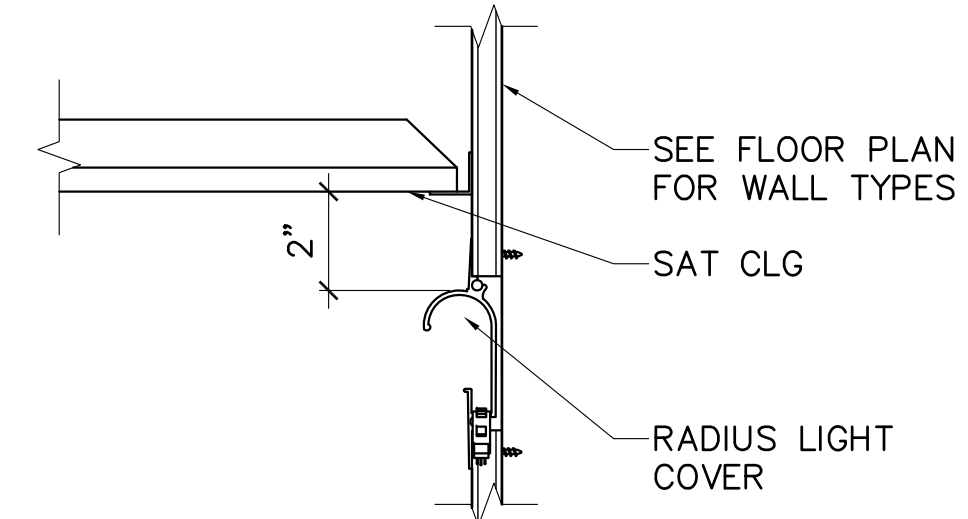


7 TYP SECTION @ COUNTER
AE741 AE580 SCALE: 1-1/2"=1'-0"

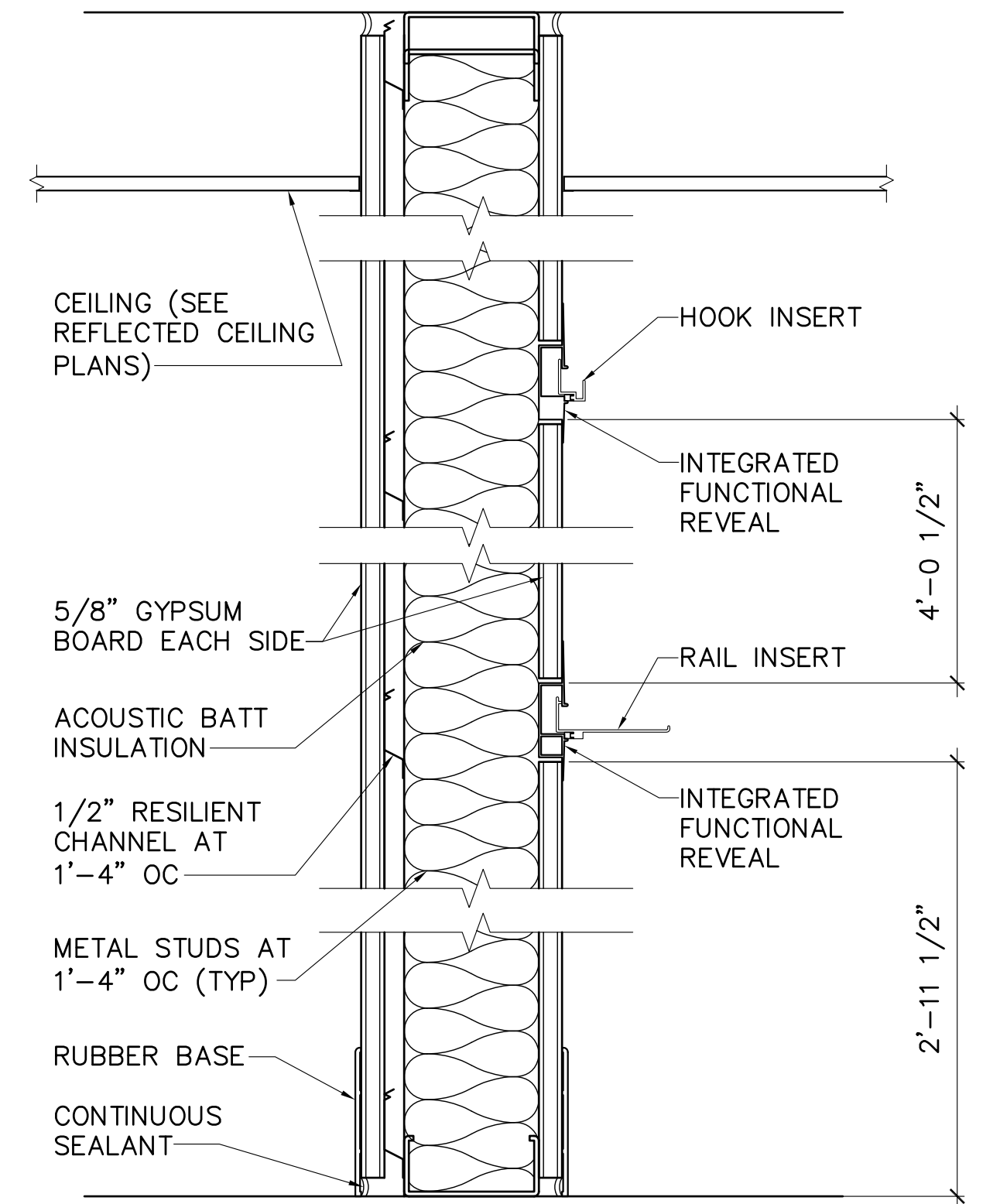


8 TYPICAL DETAIL
AE580 FULL SCALE

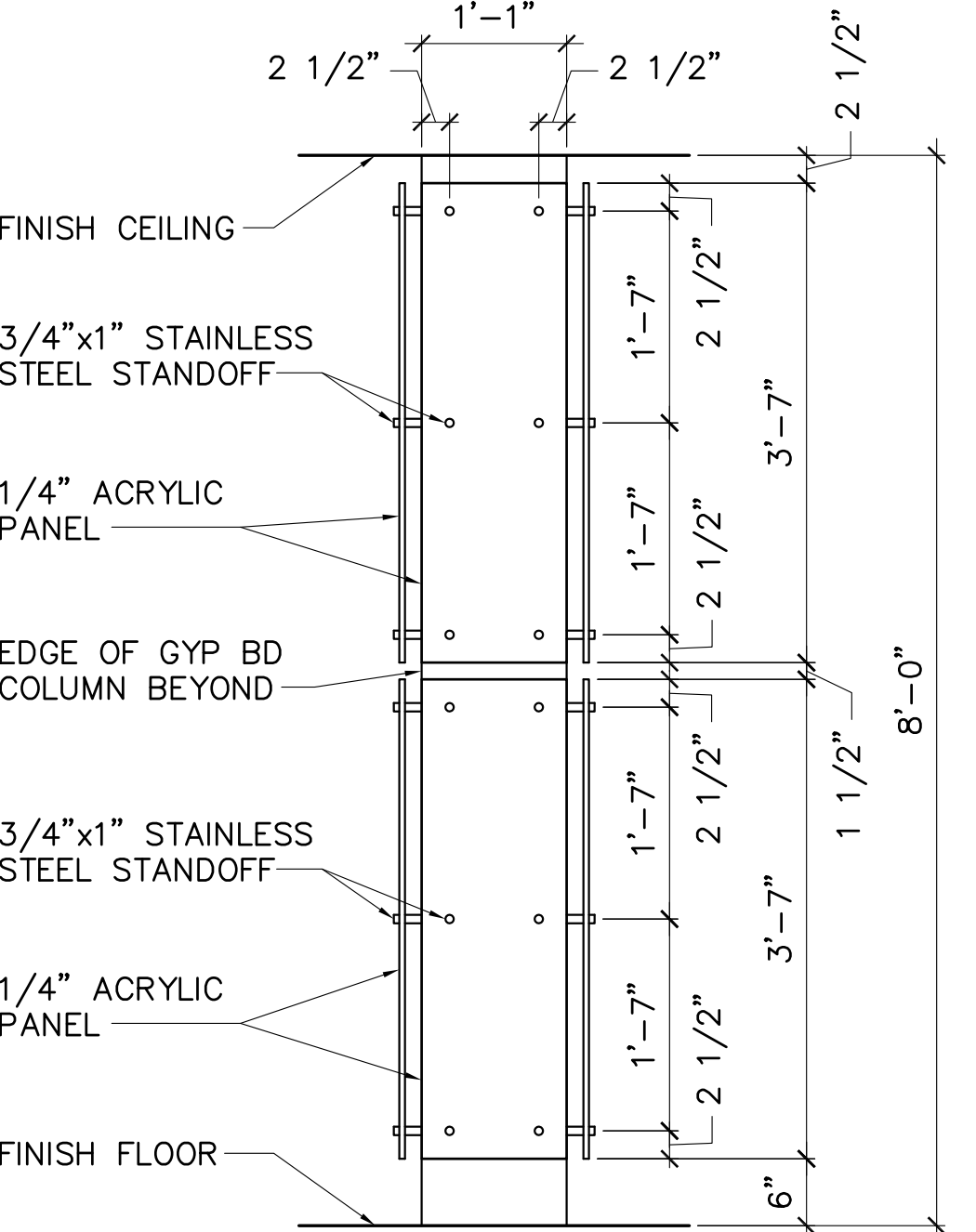
9 FLIP UP TABLE DETAIL
AE740 AE580 SCALE: 1-1/2"=1'-0"



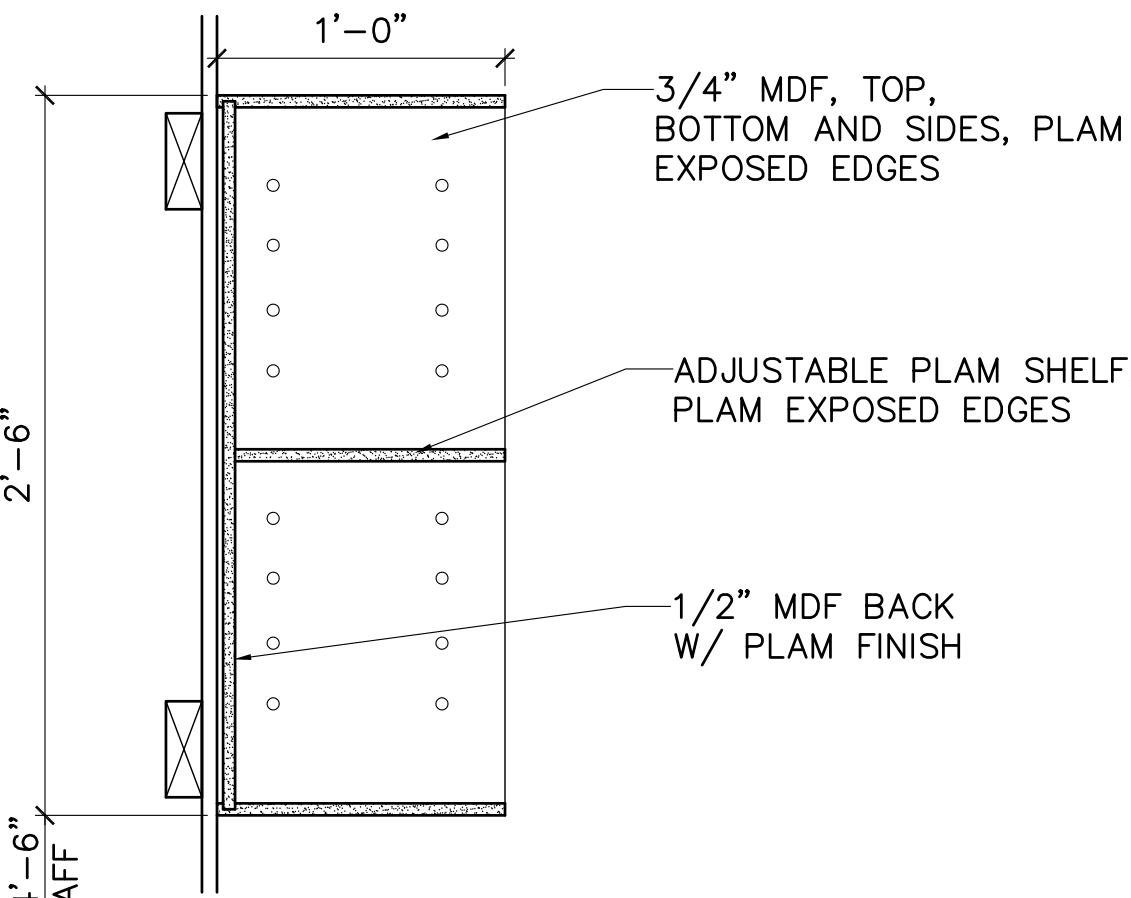
10 LED LIGHT COVE
AE740 AE580 NOT TO SCALE



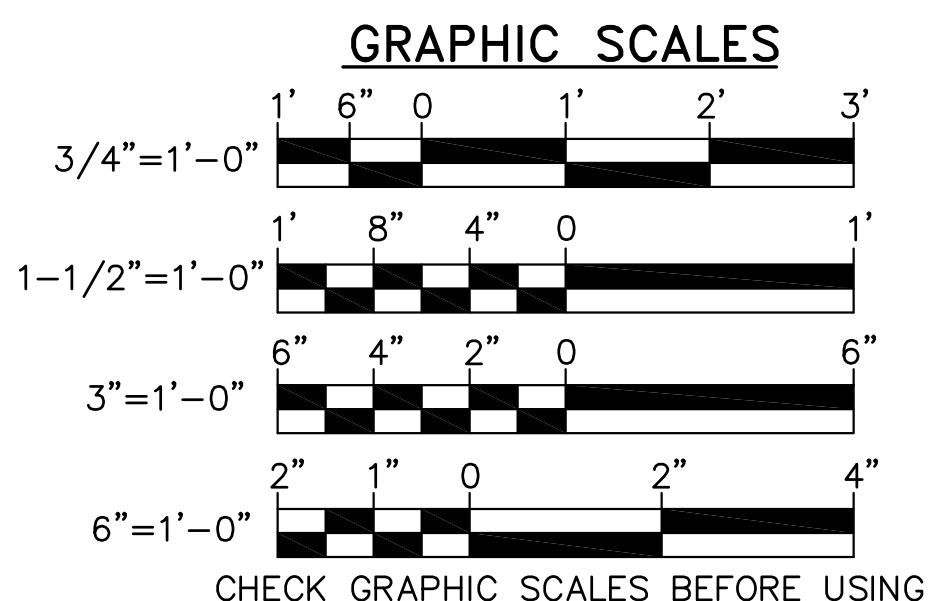
11 TYPICAL SECTION @ WHITEBOARD PAINT WALL
AE402 AE580 SCALE: 3"=1'-0"



13 COLUMN WRAP DETAIL
AE540 AE580 SCALE: 3/4"=1'-0"



12 TYPICAL OPEN SHELF SECTION
AE741 AE580 SCALE: 1-1/2"=1'-0"



OAK POINT ASSOCIATES
ARCHITECTURE
231 Main Street, Boscawen, Maine 04005 (707) 283-0100 FAX: 707 283-4283
www.oakpoint.com

LICENSED ARCHITECT
TYLER B. BARTER
No. 2952
STATE OF MAINE
2/24/16

TGB
DEM
TGB
21602.10

DESIGNED BY:
DRAWN BY:
CHECKED BY:
PROJECT:

**UNIVERSITY OF NEW ENGLAND
PORTLAND CAMPUS**
STEVEN AVENUE ARMORY
716 STEVENS AVE
PORTLAND, MAINE 04103
1(207)283-0171

**RENOVATIONS TO THE
STEVEN AVENUE ARMORY**

CASEWORK DETAILS

SCALE: AS NOTED
DATE: 05-24-16
DWG. AE580
SHEET: 86 OF 169