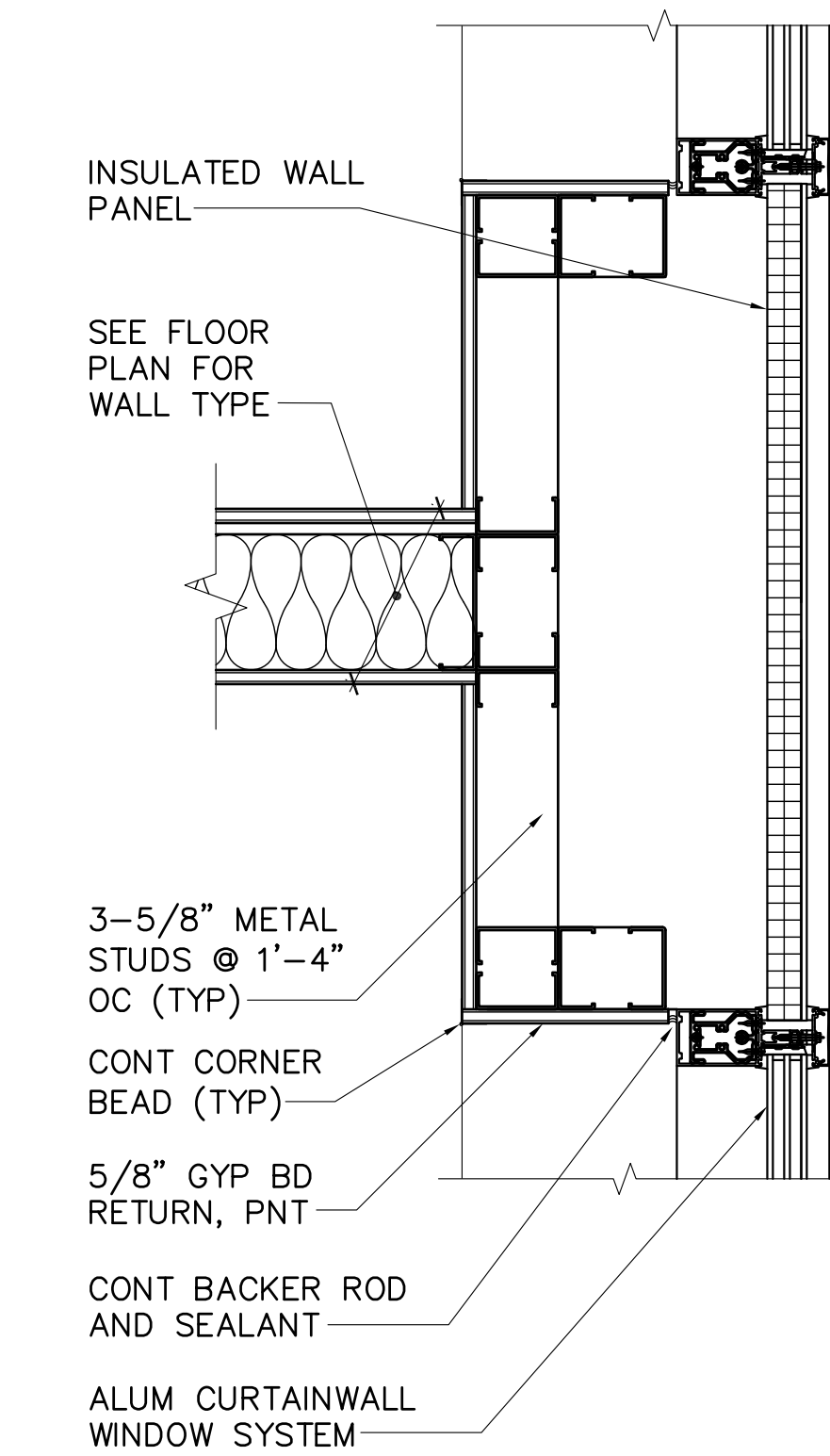
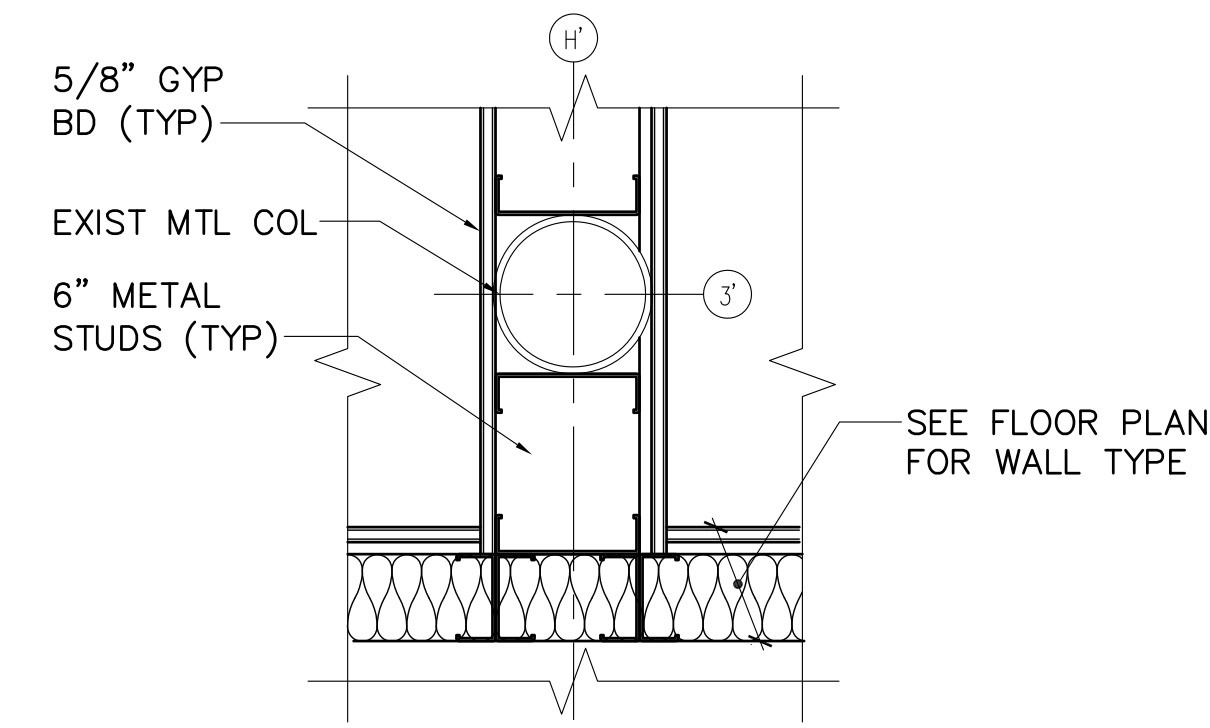


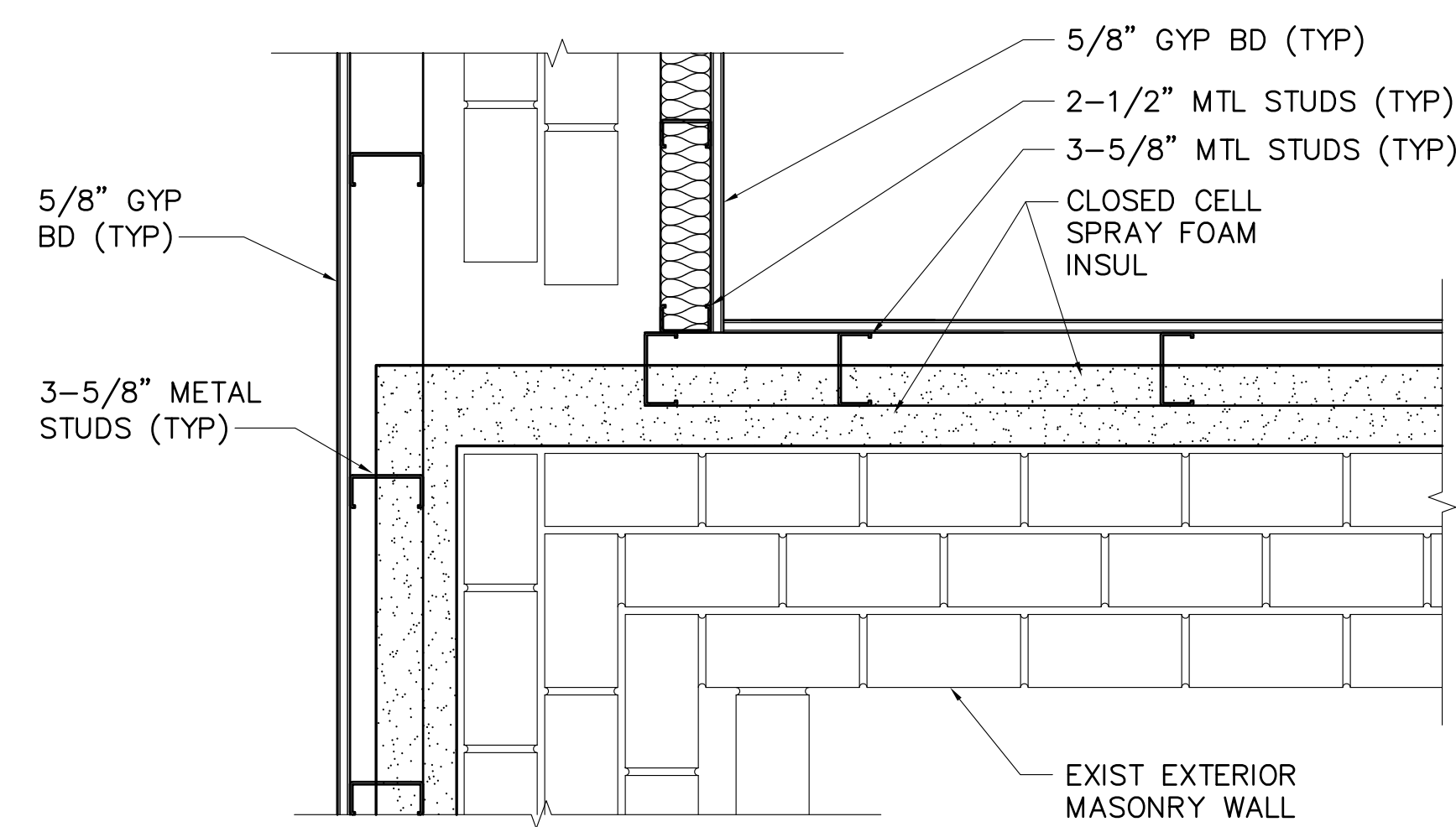
1 CURTAINWALL DOOR JAMB DETAIL
 AE101/AE543 SCALE: 1-1/2"=1'-0"



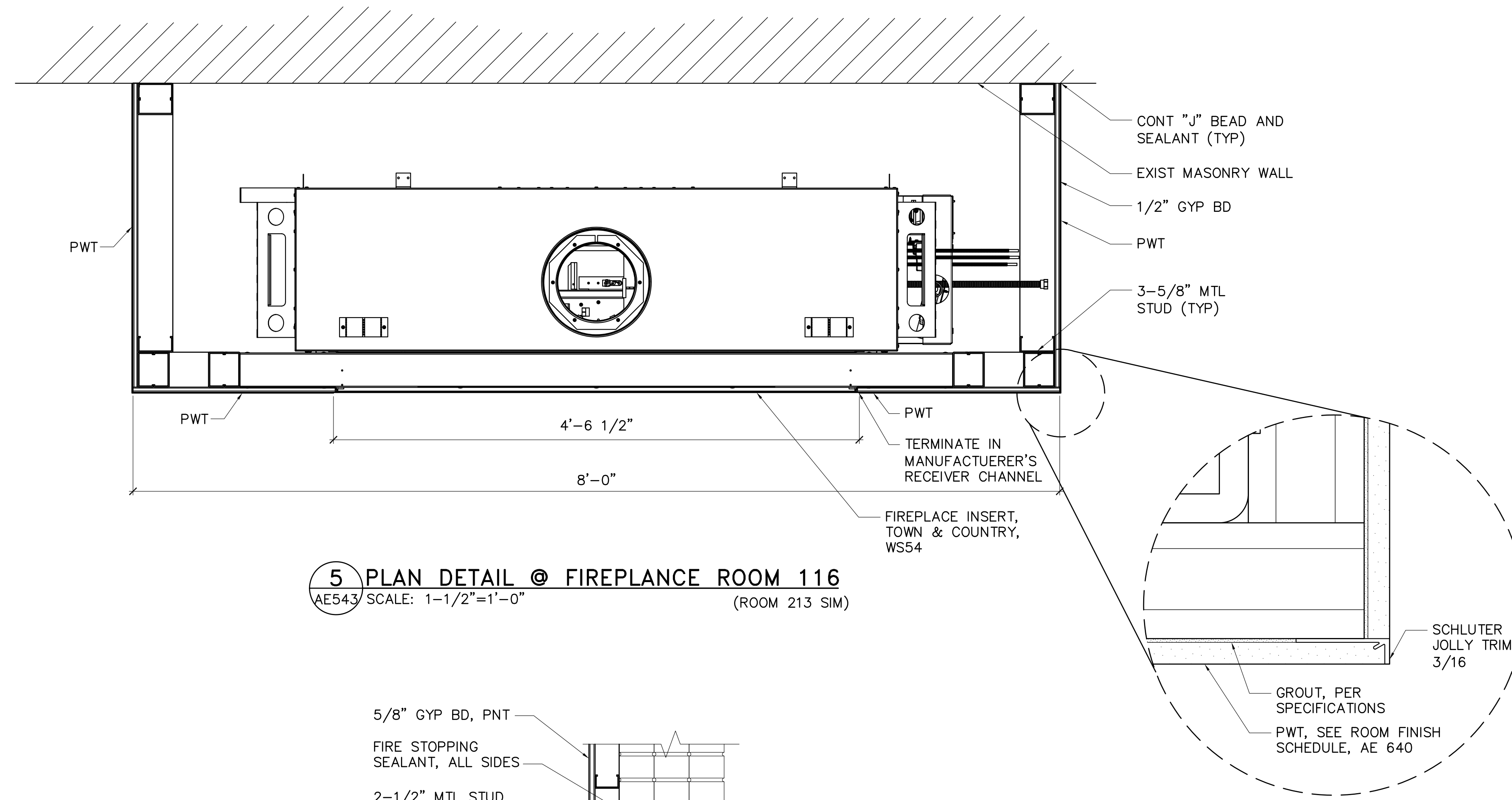
2 CURTAINWALL PLAN DETAIL CLASSROOM 102
 AE101/AE543 SCALE: 1-1/2"=1'-0"



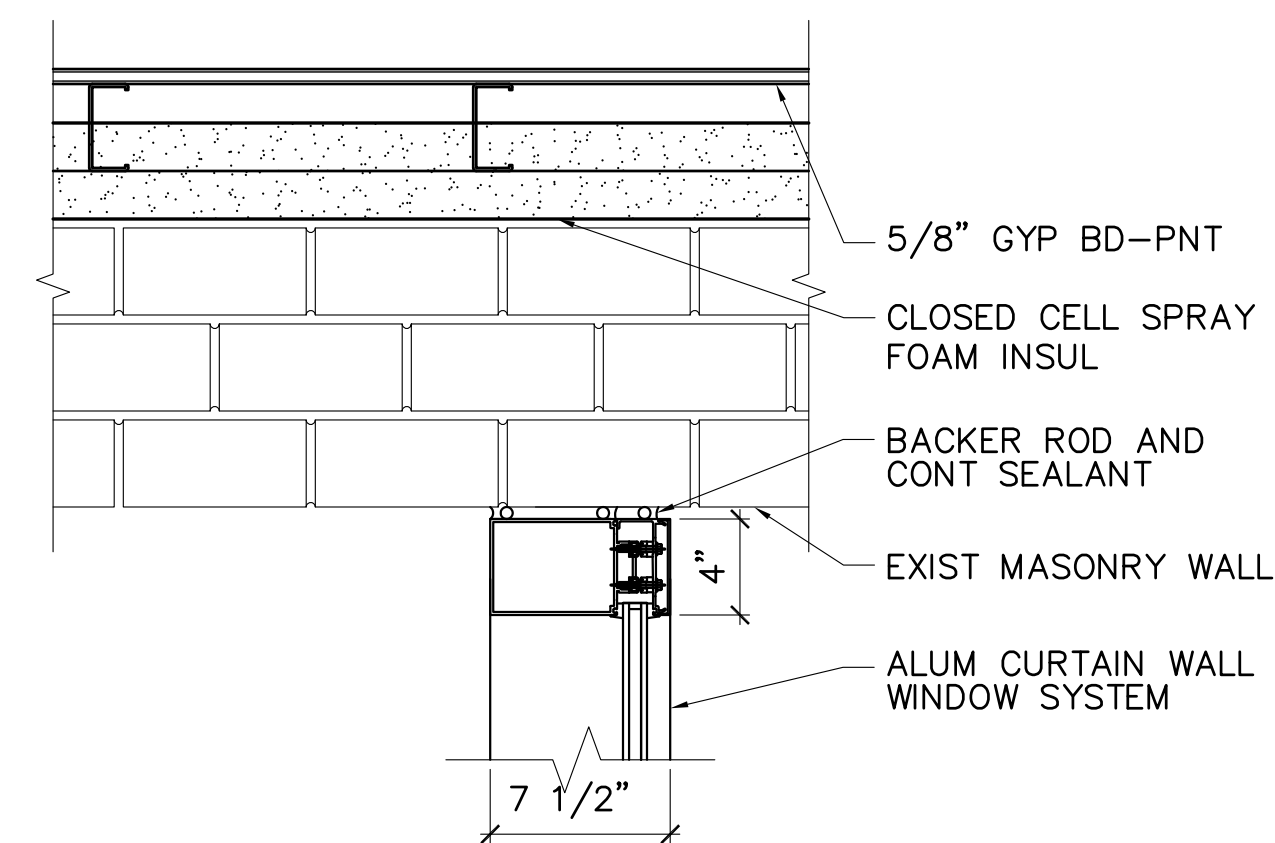
3 WALL DETAIL CORR 117
 AE101/AE103/AE540 SCALE: 1-1/2"=1'-0"



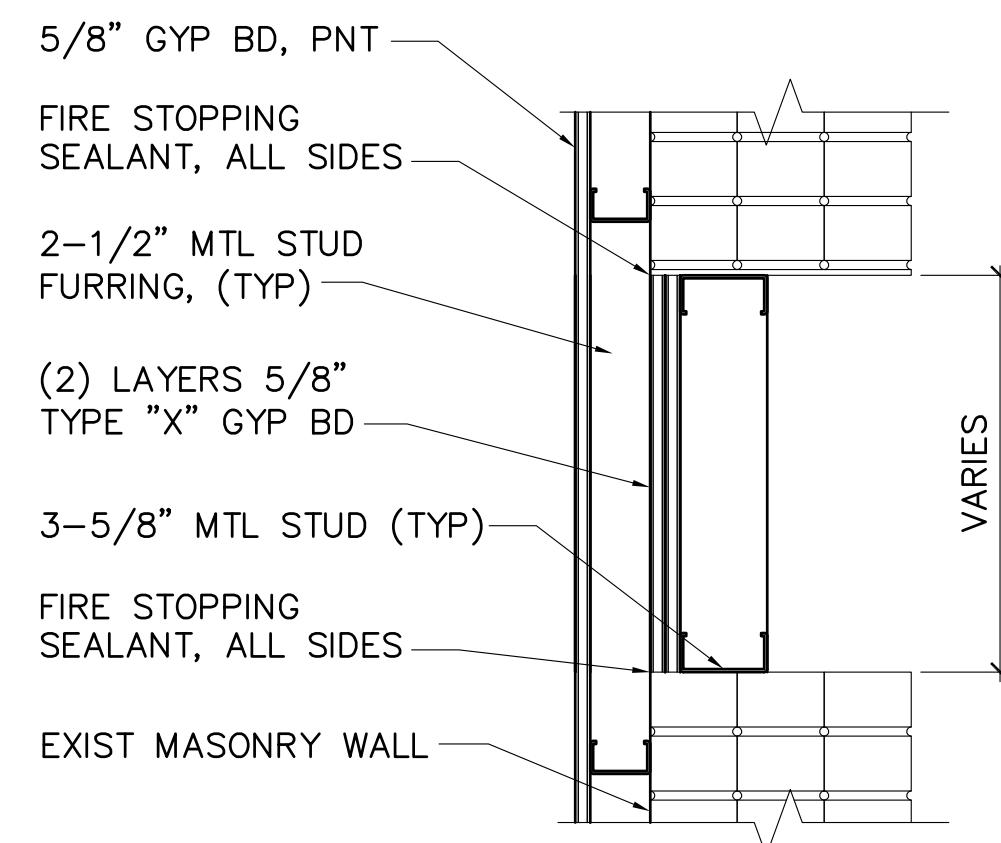
4 CHASE AT CLASSROOM C 201
 AE103/AE543 SCALE: 1-1/2"=1'-0"



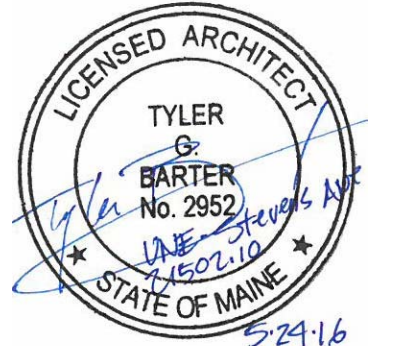
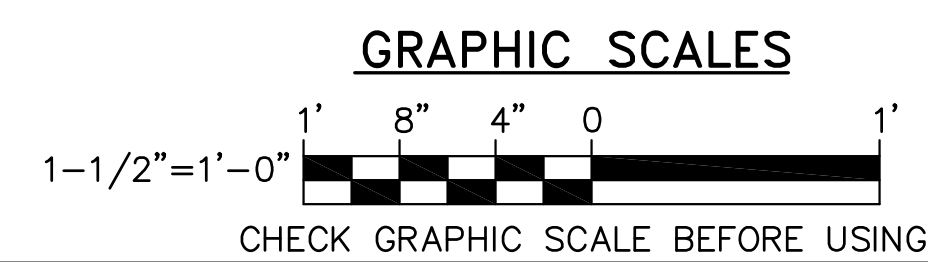
5 PLAN DETAIL @ FIREPLACE ROOM 116
 AE543 SCALE: 1-1/2"=1'-0" (ROOM 213 SIM)



6 STAIR PLAN DETAIL
 AE420/AE543 SCALE: 1-1/2"=1'-0"



7 TYP 1 HOUR INFILL DETAIL
 AE543 SCALE: 1-1/2"=1'-0"



TGB
 DEM TGB
 21602.10
 DESIGNED BY:
 DRAWN BY:
 CHECKED BY:
 PROJECT:

**UNIVERSITY OF NEW ENGLAND
 PORTLAND CAMPUS**
 STEVEN AVENUE ARMORY
 716 STEVENS AVE
 PORTLAND, MAINE 04103
 (1/207)283-0171

**RENOVATIONS TO THE
 STEVENS AVENUE ARMORY**

**WALL
 DETAILS**

SCALE: AS NOTED
 DATE: 05-24-16

DWG. **AE543**

SHEET: **85** OF 169