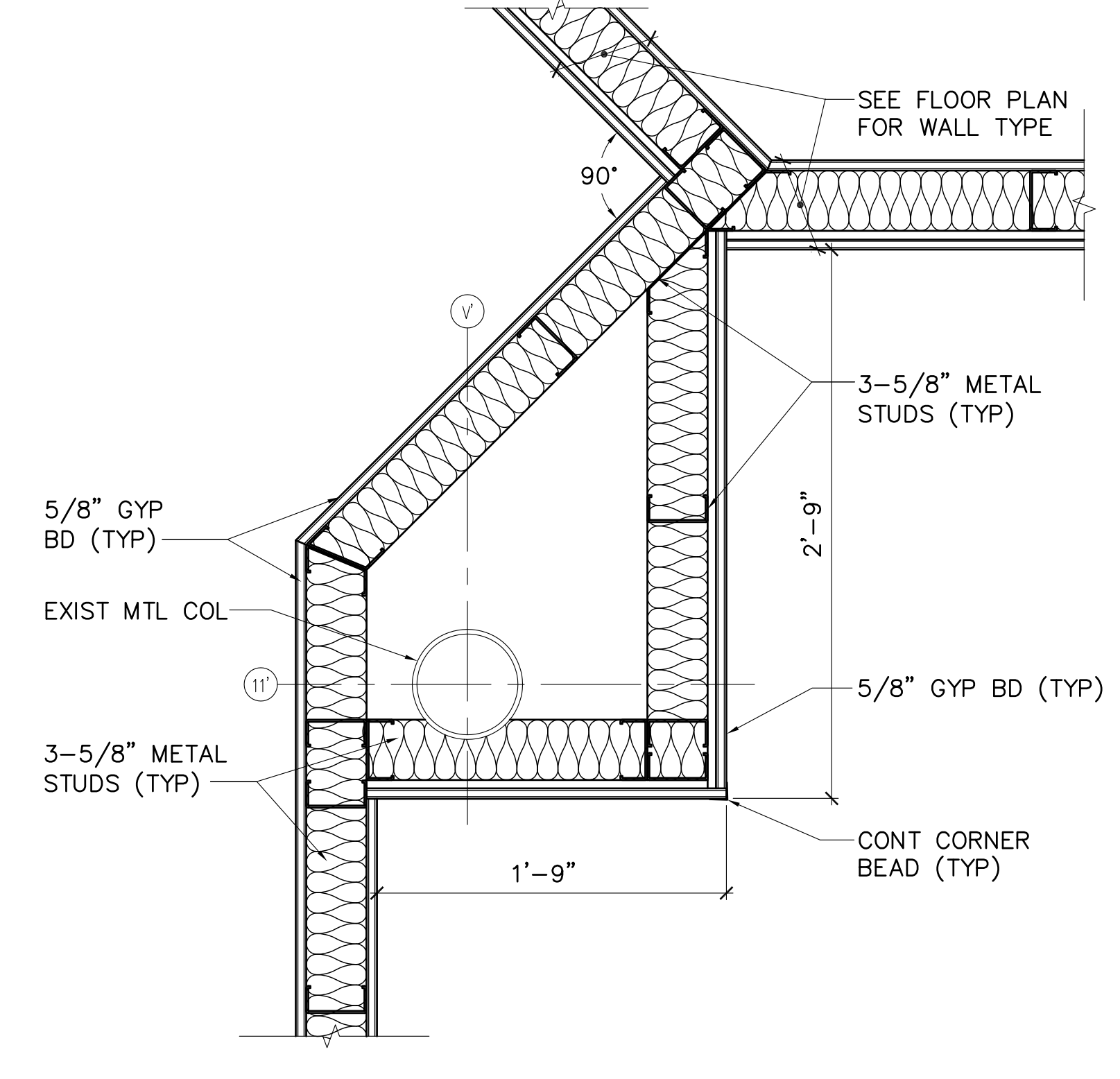
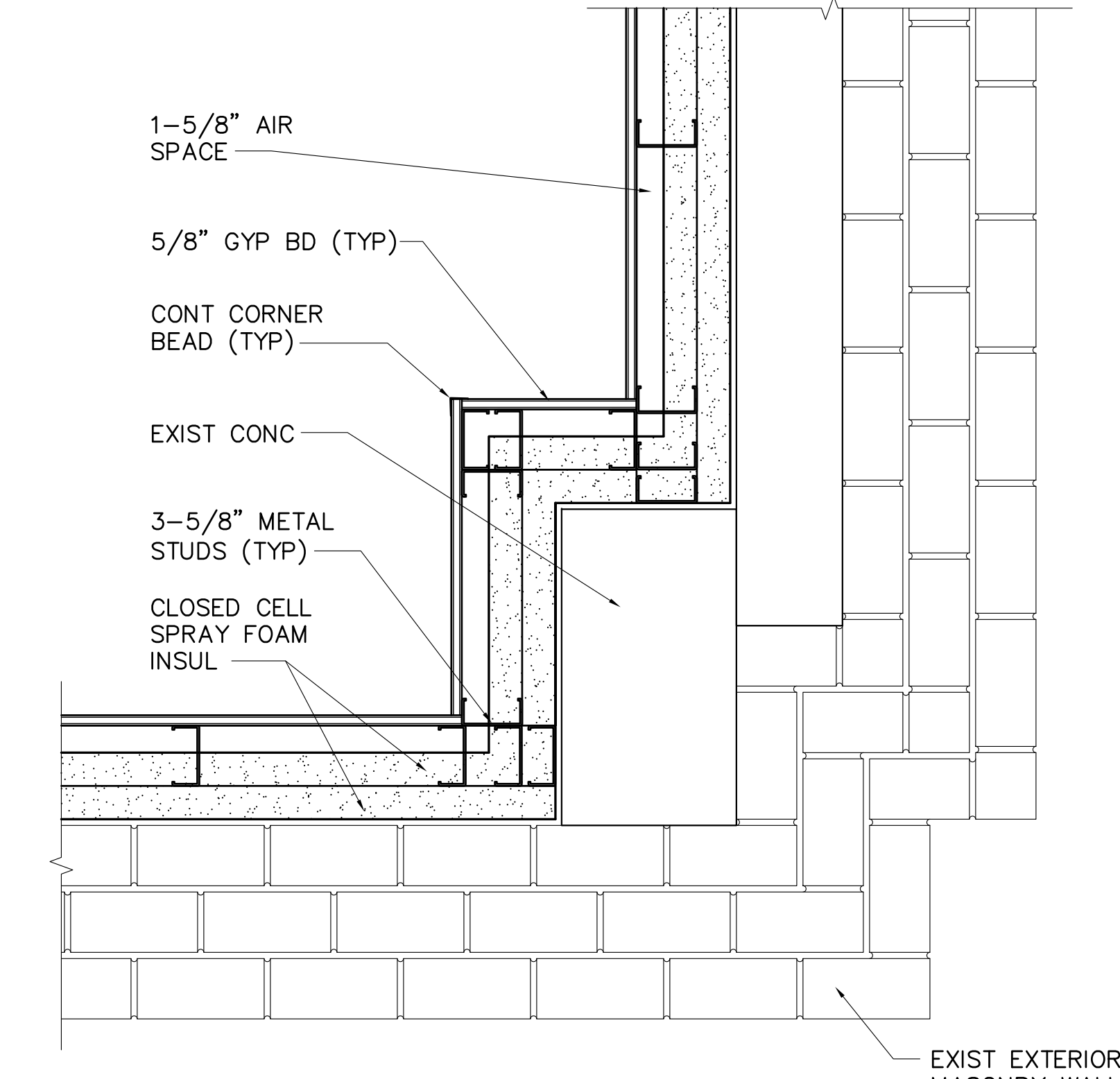


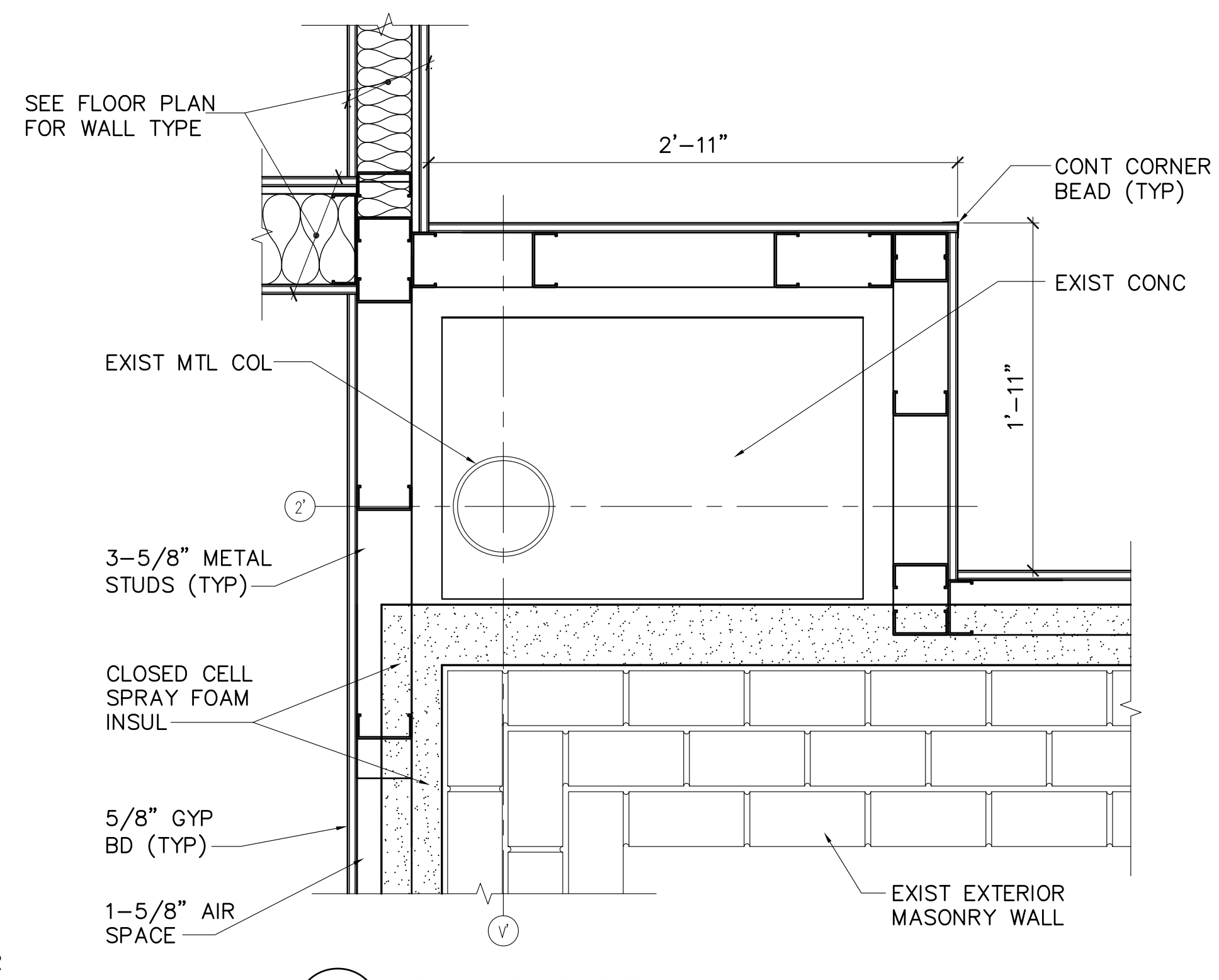
1 COL WRAP DETAIL RM 164
 AE542 SCALE: 1-1/2"=1'-0"
 AE101



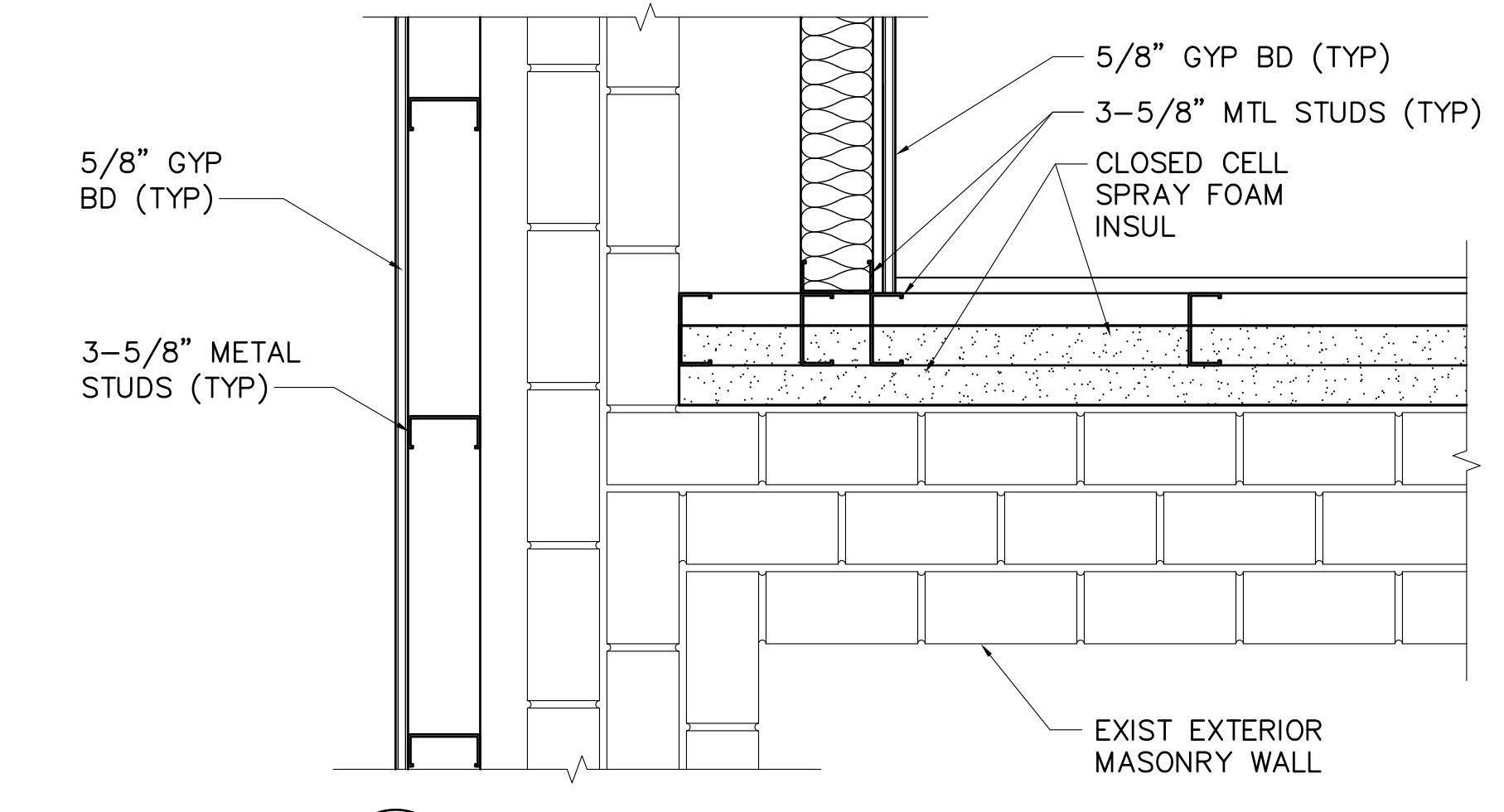
2 COL WRAP DETAIL RM 166
 AE542 SCALE: 1-1/2"=1'-0"
 AE101



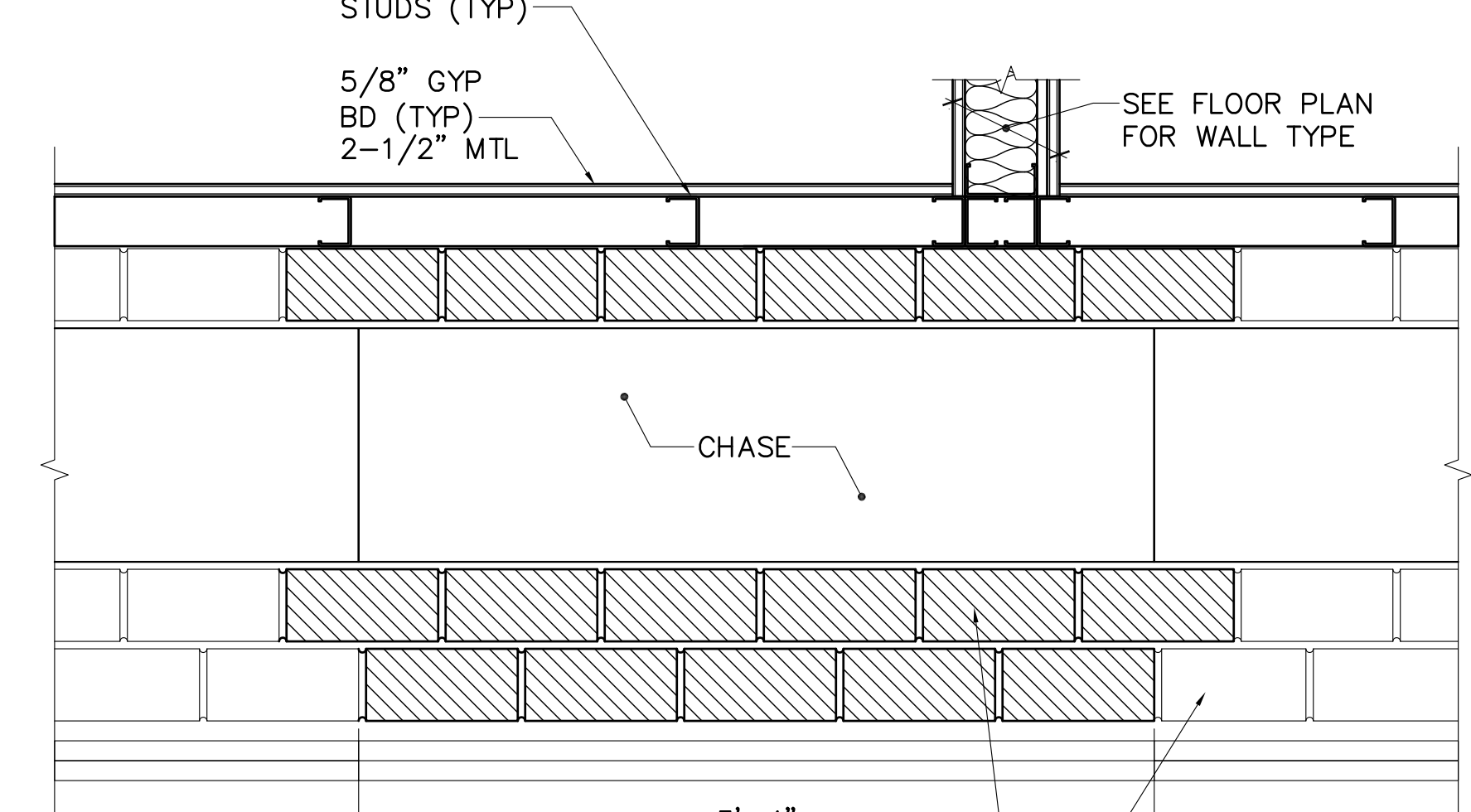
3 WALL DETAIL RM 143
 AE542 SCALE: 1-1/2"=1'-0"
 AE101



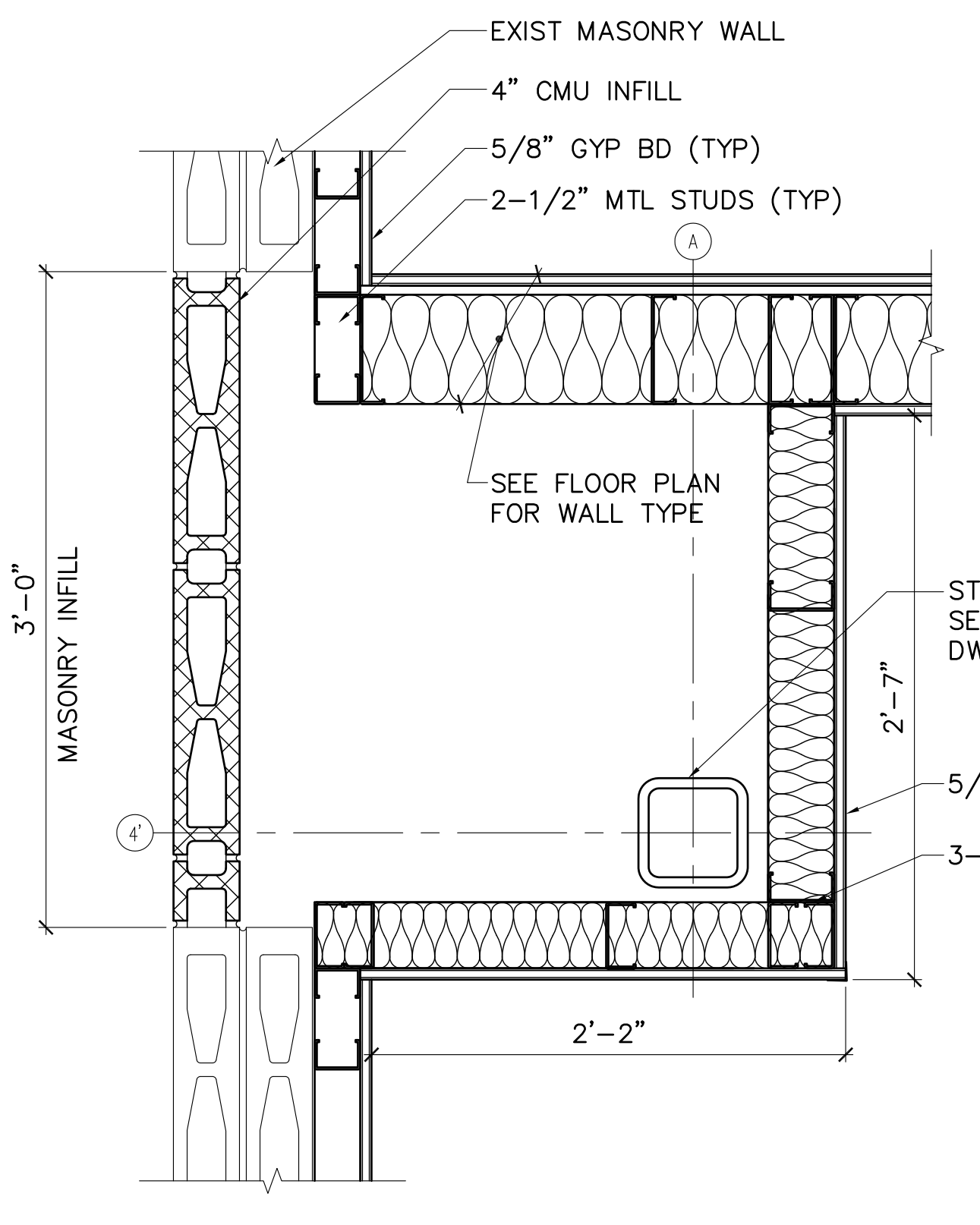
4 COL WRAP DETAIL RM 143
 AE542 SCALE: 1-1/2"=1'-0"
 AE101



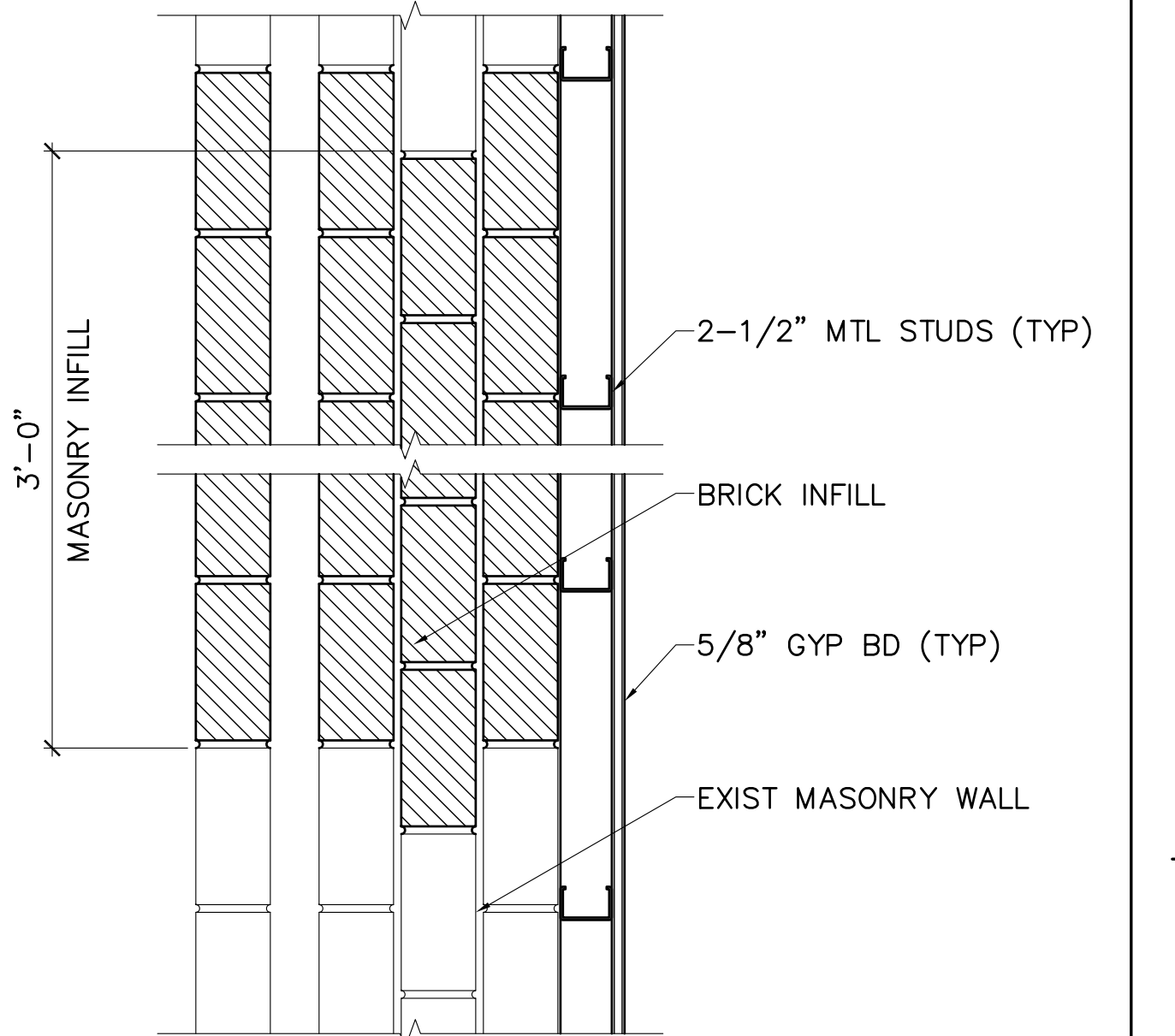
5 WALL DETAIL RM 134
 AE542 SCALE: 1-1/2"=1'-0"
 AE101



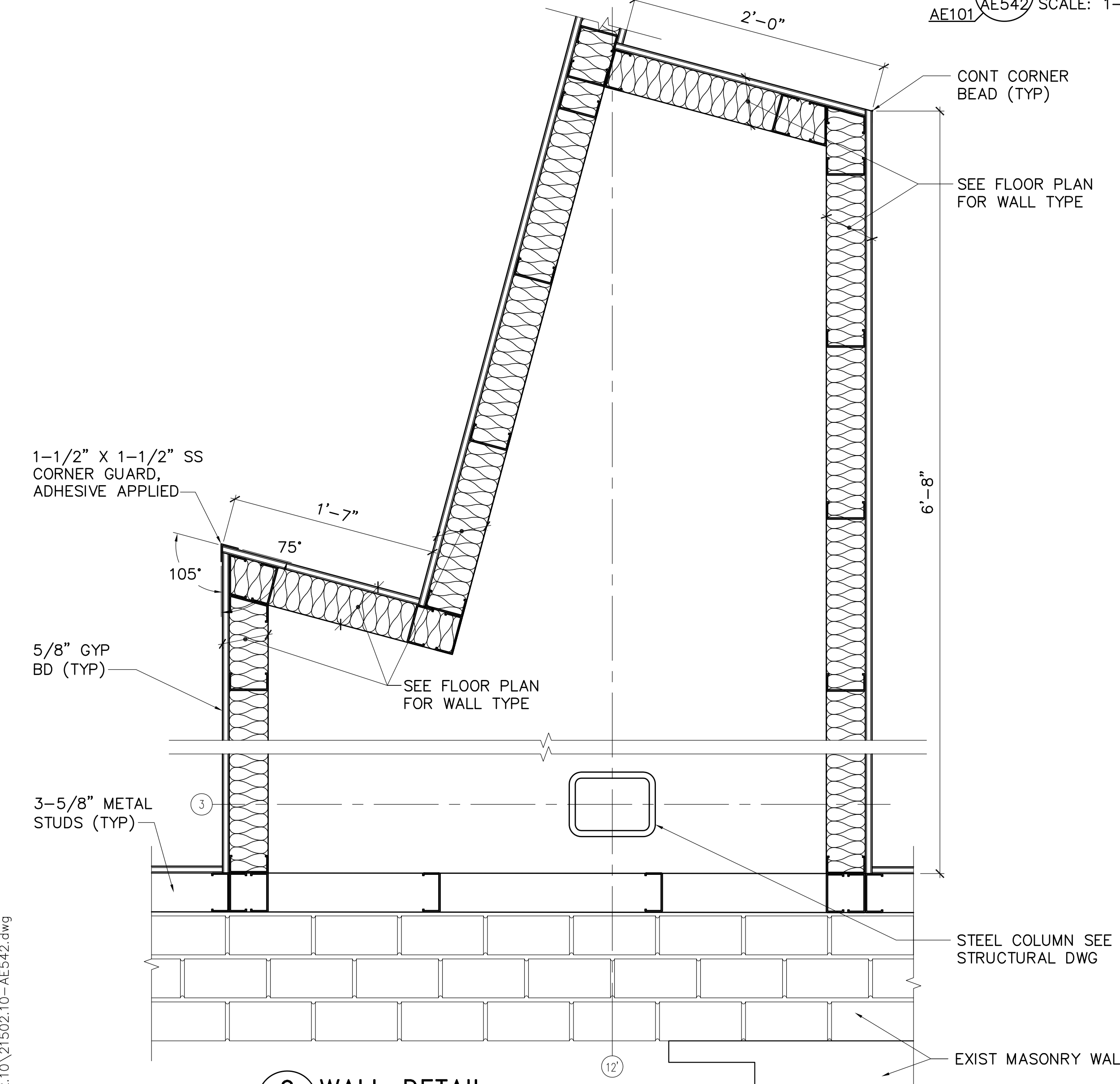
6 COL WRAP DETAIL
 AE542 SCALE: 1-1/2"=1'-0"
 AE101



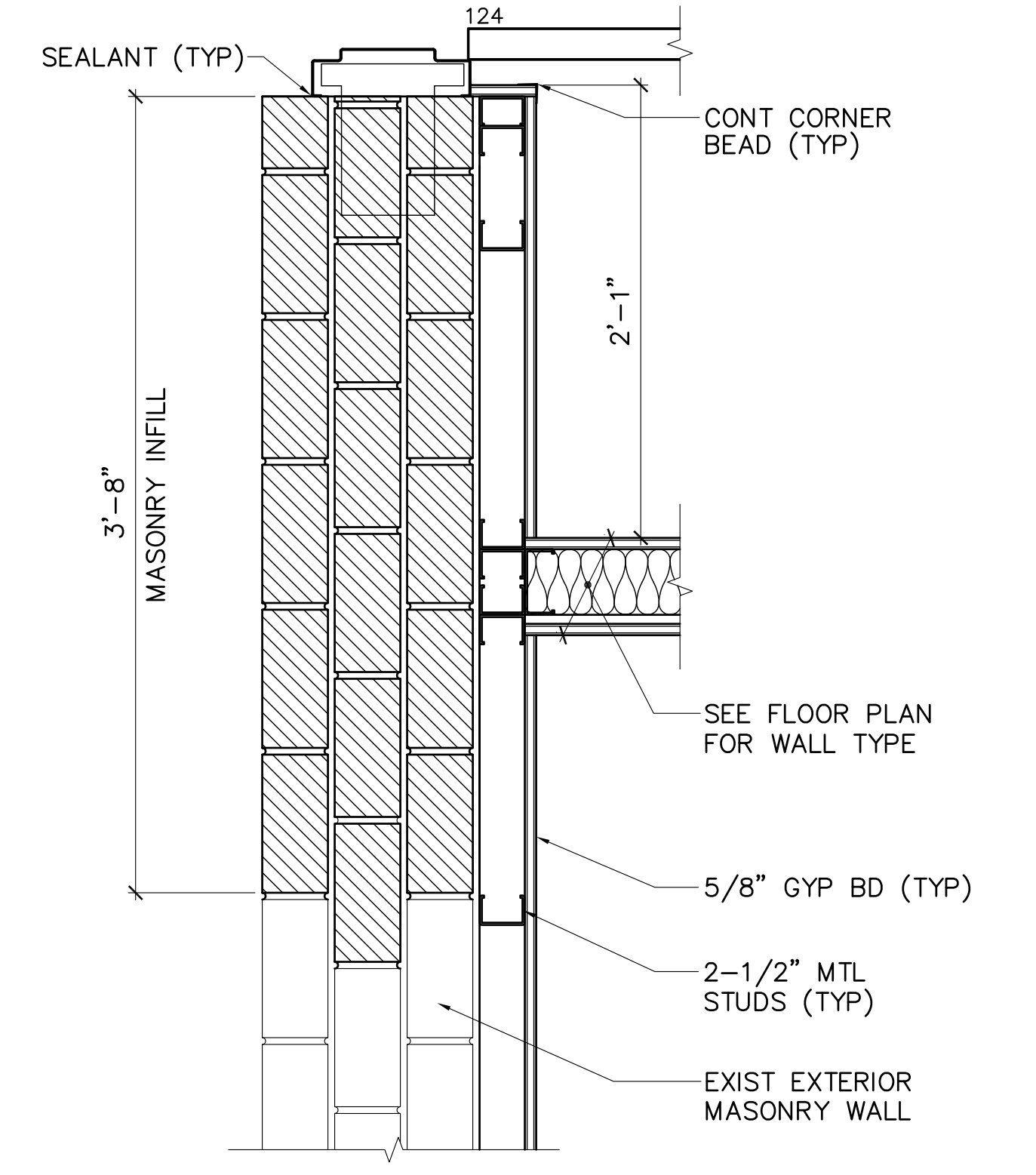
7 WALL DETAIL
 AE542 SCALE: 1-1/2"=1'-0"
 AE101



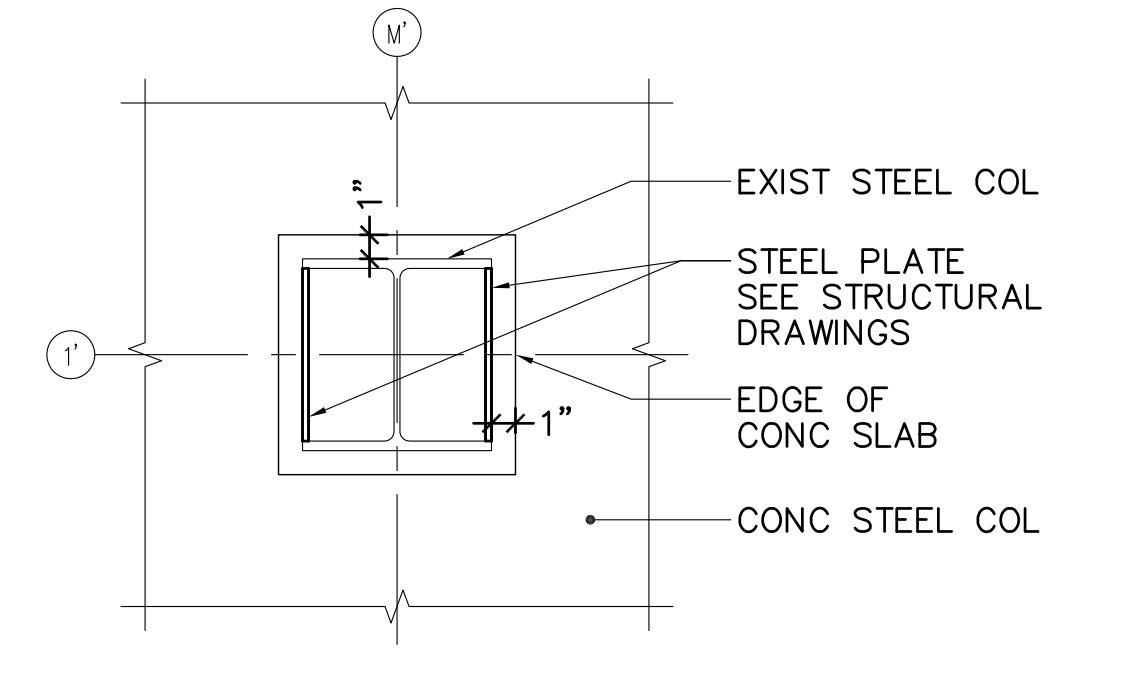
8 WALL DETAIL
 AE542 SCALE: 1-1/2"=1'-0"
 AE101



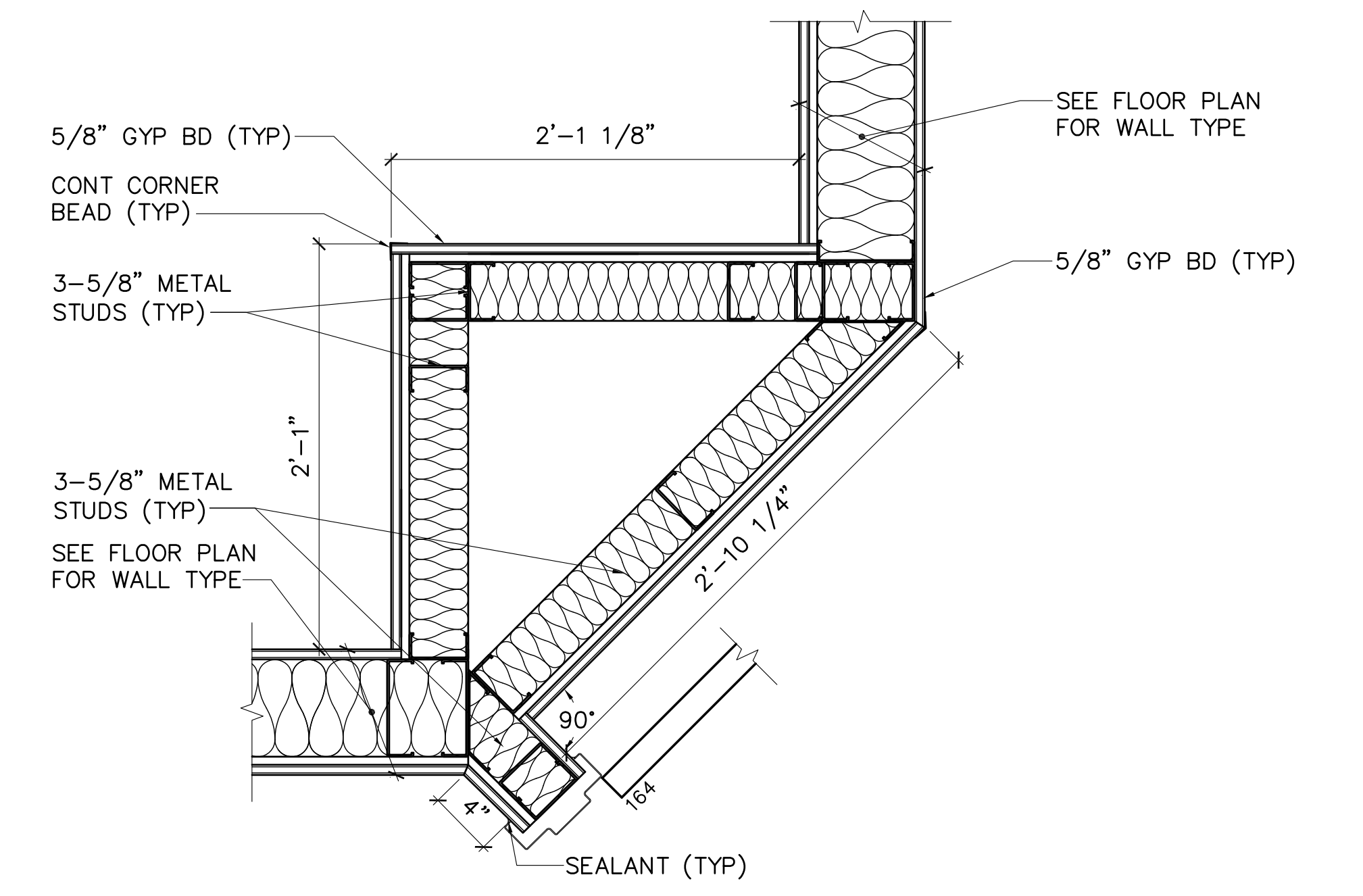
9 WALL DETAIL
 AE542 SCALE: 1-1/2"=1'-0"
 AE101



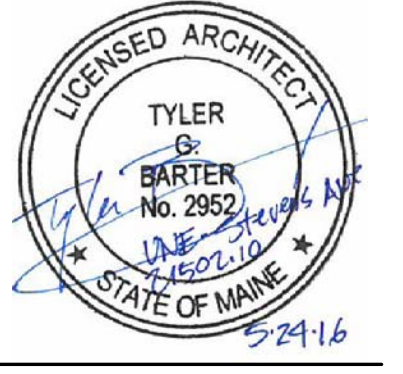
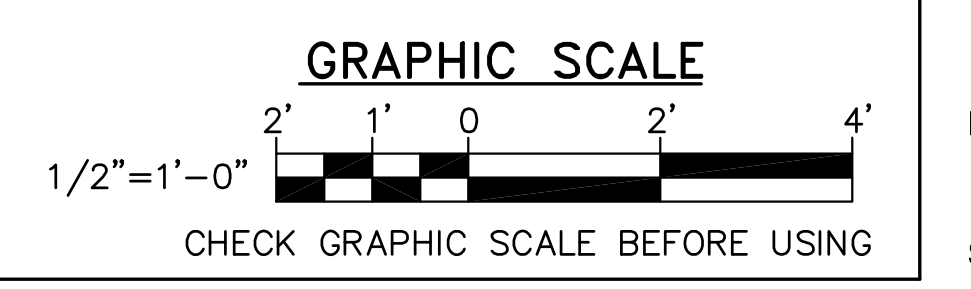
10 WALL DETAIL RM 116
 AE542 SCALE: 1-1/2"=1'-0"
 AE101



11 COL/FLOOR PLAN
 AE542 SCALE: 1-1/2"=1'-0"
 AE101



12 WALL DETAIL
 AE542 SCALE: 1-1/2"=1'-0"
 AE101



DESIGNED BY: TGB
 DRAWN BY: TGB
 CHECKED BY: TGB
 PROJECT: 21602.10

UNIVERSITY OF NEW ENGLAND
 PORTLAND CAMPUS
 STEVEN AVENUE ARMORY
 716 STEVENS AVE
 PORTLAND, MAINE 04103
 1(207)283-0171

RENOVATIONS TO THE
 STEVENS AVENUE ARMORY

WALL DETAILS

SCALE: AS NOTED
 DATE: 05-24-16

DWG. AE542

25 May 2016 10:18 AM
 Y:\21602.10\21602.10-AE542.dwg